



US00D793471S

(12) **United States Design Patent** (10) **Patent No.:** **US D793,471 S**  
**Lintner et al.** (45) **Date of Patent:** **\*\* Aug. 1, 2017**

(54) **CAPOTASTO AND TUNER ASSEMBLY**

(71) Applicant: **Kyser Musical Products, Inc.**, La Jolla, CA (US)

(72) Inventors: **Max Lintner**, Canton, TX (US);  
**Meredith Hamlin**, Canton, TX (US)

(\*\*) Term: **15 Years**

(21) Appl. No.: **29/566,465**

(22) Filed: **May 31, 2016**

(51) **LOC (10) Cl.** ..... **17-03**

(52) **U.S. Cl.**  
USPC ..... **D17/21**

(58) **Field of Classification Search**  
USPC ..... D12/194; D17/14, 19, 21, 22, 99;  
D21/405  
CPC ..... G10D 13/003; G10D 3/043; G10D 1/02;  
G10D 3/06  
See application file for complete search history.

(56) **References Cited**

**U.S. PATENT DOCUMENTS**

D169,120	S *	3/1953	Bigsby	.....	D17/21
D170,109	S *	8/1953	Bigsby	.....	84/313
4,250,790	A *	2/1981	Shubb	.....	G10D 3/043 84/318
4,583,440	A *	4/1986	Powell, Jr.	.....	G10D 3/043 84/318
D372,259	S	7/1996	Kyser		
D378,825	S *	4/1997	Dunlop	.....	84/318
5,728,959	A	3/1998	O'Rourke		

(Continued)

**FOREIGN PATENT DOCUMENTS**

CN	201397668	Y	2/2010
CN	201698735	U	1/2011

(Continued)

*Primary Examiner* — John Windmuller  
*Assistant Examiner* — Benjamin Weeks  
(74) *Attorney, Agent, or Firm* — Buche & Associates,  
P.C.; John K. Buche; Bryce A. Johnson

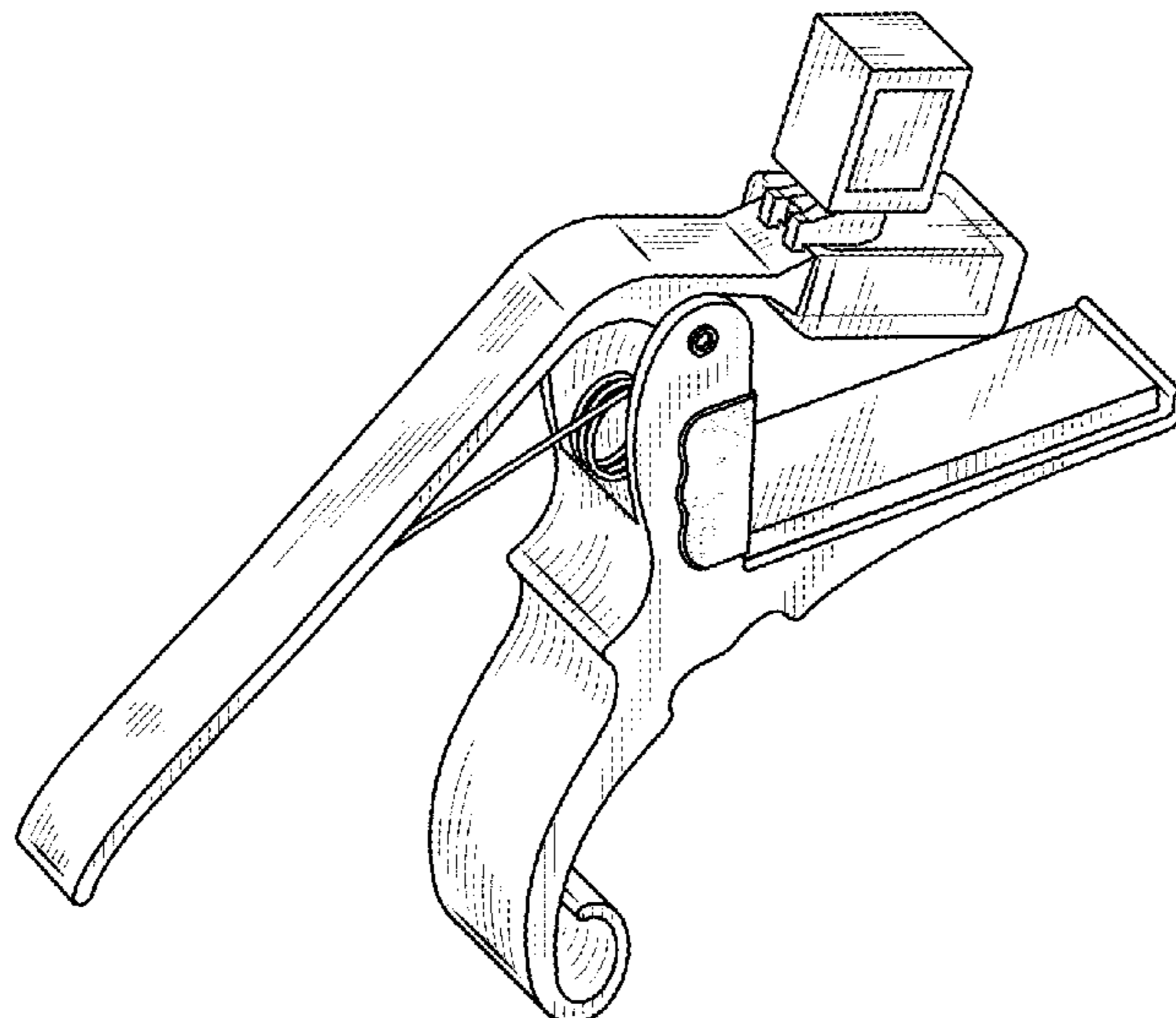
(57) **CLAIM**

We claim the ornamental design for a “capotasto and tuner assembly,” as shown.

**DESCRIPTION**

FIG. 1 is a perspective view of a capotasto and tuner assembly;  
FIG. 2 is a right-side view of the capotasto and tuner assembly of FIG. 1;  
FIG. 3 is a left-side view of the capotasto and tuner assembly of FIG. 1;  
FIG. 4 is a back view of the capotasto and tuner assembly of FIG. 1;  
FIG. 5 is a front view of the capotasto and tuner assembly of FIG. 1;  
FIG. 6 is a top view of the capotasto and tuner assembly of FIG. 1;  
FIG. 7 is a bottom view of the capotasto and tuner assembly of FIG. 1;  
FIG. 8 is an exploded perspective view of the capotasto and tuner assembly of FIG. 1 for ease of disclosure only; and,  
FIG. 9 is a perspective view of the capotasto and tuner assembly of FIG. 1 in use for ease of disclosure only.  
The broken lines in FIG. 9 depict environment that forms no part of the claimed design.  
The depicted caotasto and tuner assembly feature a unique appearance over the prior art. An electronic tuner is positionable on a jaw of the capotatsto via cooperating attachment mechanisms on the tuner and capotasto jaw.  
The nature and intended use of the article in which the design is embodied is a capotasto and tuner assembly for stringed musical instruments.

**1 Claim, 4 Drawing Sheets**



(56)

References Cited

U.S. PATENT DOCUMENTS

5,792,969 A \* 8/1998 Shubb ..... G10D 3/043  
84/318  
6,008,441 A \* 12/1999 Steinberger ..... G10D 3/043  
84/318  
6,459,025 B1 \* 10/2002 D'Addario ..... G10D 3/043  
84/318  
6,797,872 B1 9/2004 Catalano et al.  
6,965,067 B2 11/2005 Kondo  
7,049,502 B2 5/2006 Taku et al.  
7,074,998 B2 7/2006 Hurwicz  
D533,211 S \* 12/2006 Kyser ..... D17/20  
7,265,282 B2 9/2007 Membreno et al.  
7,390,951 B2 6/2008 Dulaney et al.  
7,745,710 B2 6/2010 Campling  
D629,837 S 12/2010 Ishihara et al.  
7,968,778 B2 6/2011 D'Addario et al.  
D688,301 S 8/2013 Ando  
8,779,262 B1 \* 7/2014 Steinberger ..... G10D 3/043  
84/318  
8,809,655 B1 8/2014 Warwick

9,230,519 B1 1/2016 Beller  
9,240,170 B2 1/2016 Chekardzhikov  
2009/0064842 A1 \* 3/2009 Small ..... G10D 3/043  
84/318  
2010/0269666 A1 \* 10/2010 D'Addario ..... G10D 3/043  
84/318  
2011/0036229 A1 \* 2/2011 Chen ..... G10D 3/043  
84/318  
2015/0013520 A1 \* 1/2015 Campling ..... G10D 3/043  
84/318  
2015/0082970 A1 3/2015 Chekardzhikov  
2015/0128784 A1 \* 5/2015 Bradley ..... G10D 3/043  
84/318  
2015/0243261 A1 \* 8/2015 Skutt ..... G10D 3/043  
84/318

FOREIGN PATENT DOCUMENTS

CN 203607091 U 5/2014  
JP 2011053423 A 3/2011  
WO WO 2014/087390 A1 6/2014

\* cited by examiner

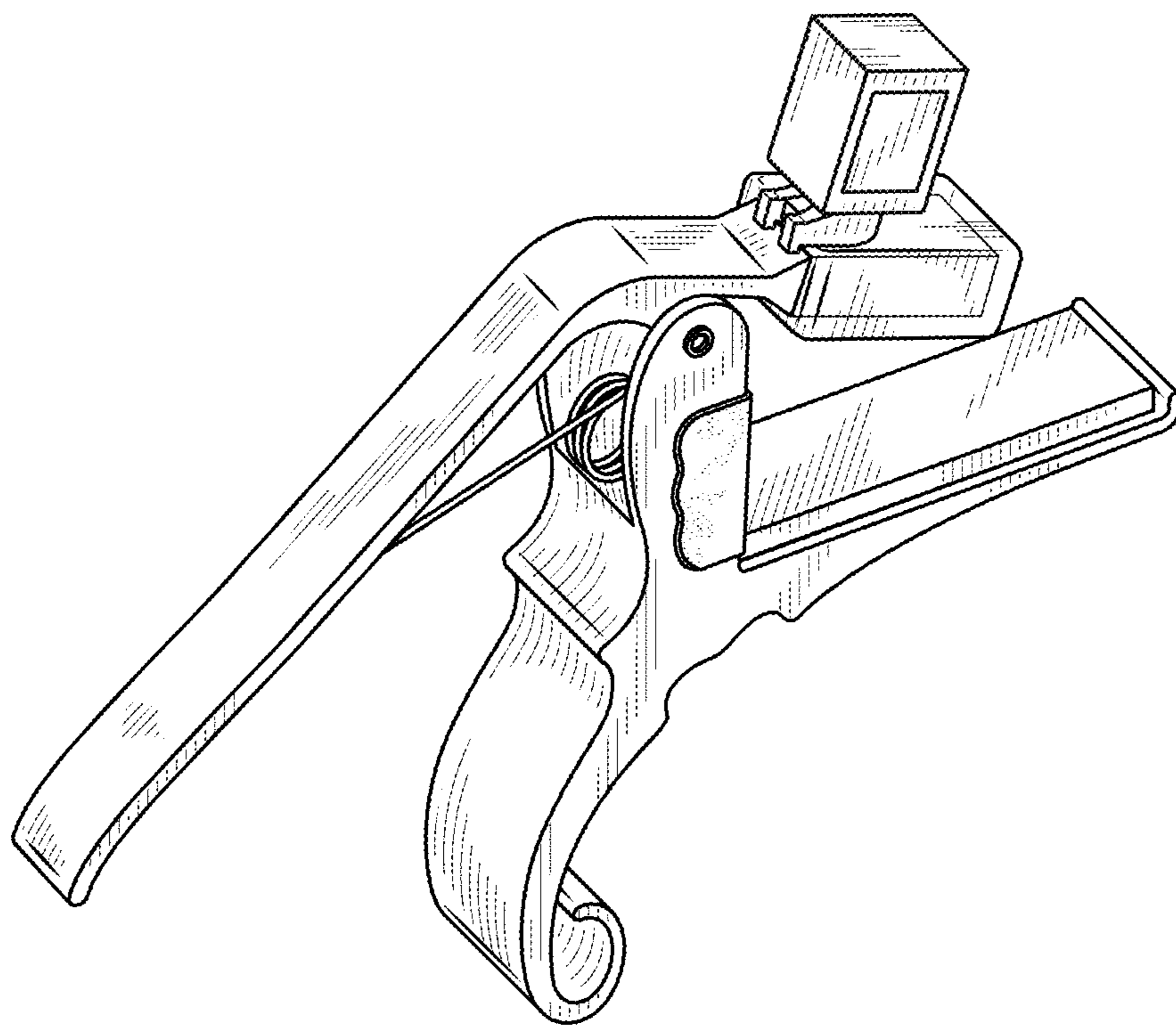


FIG. 1

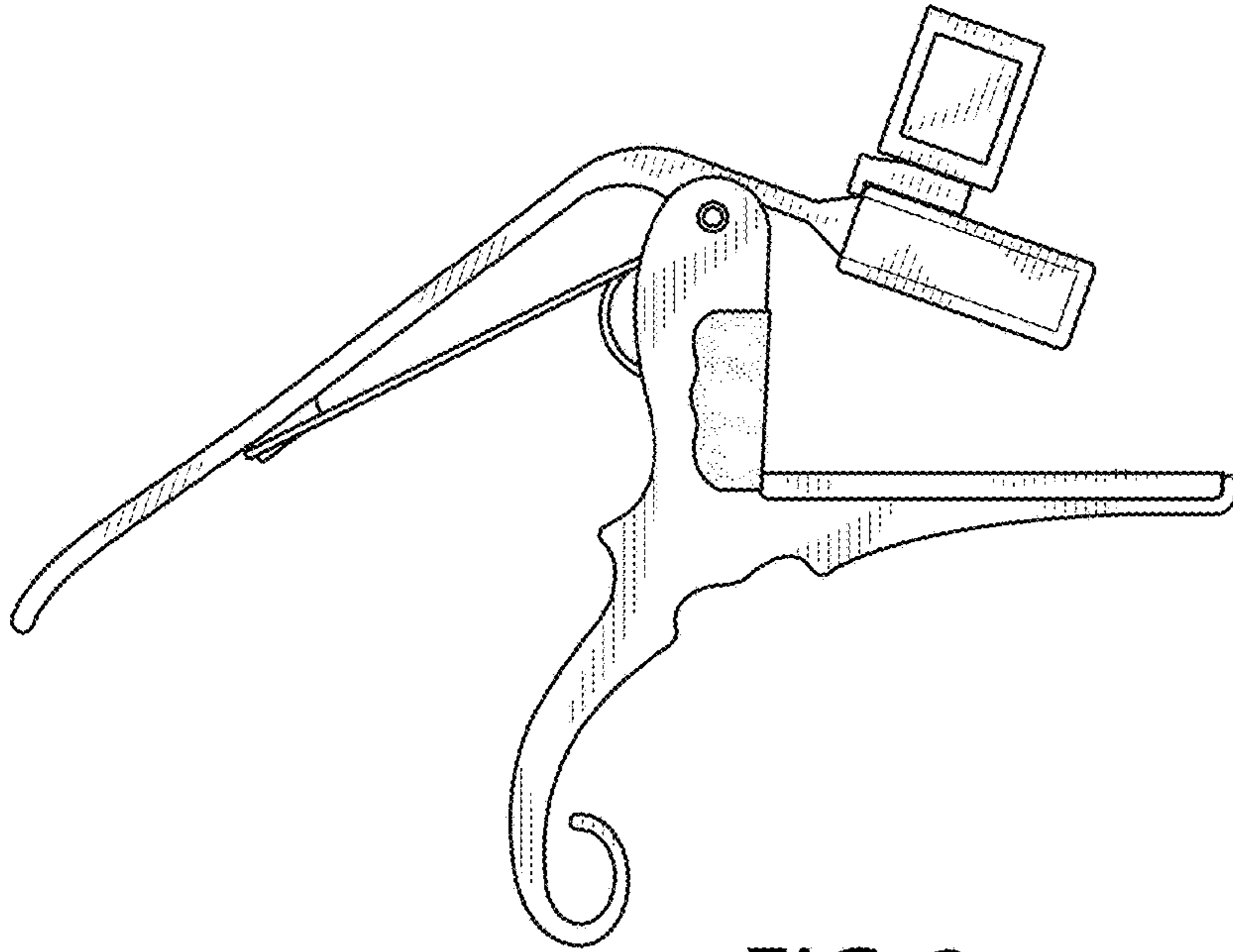


FIG. 2

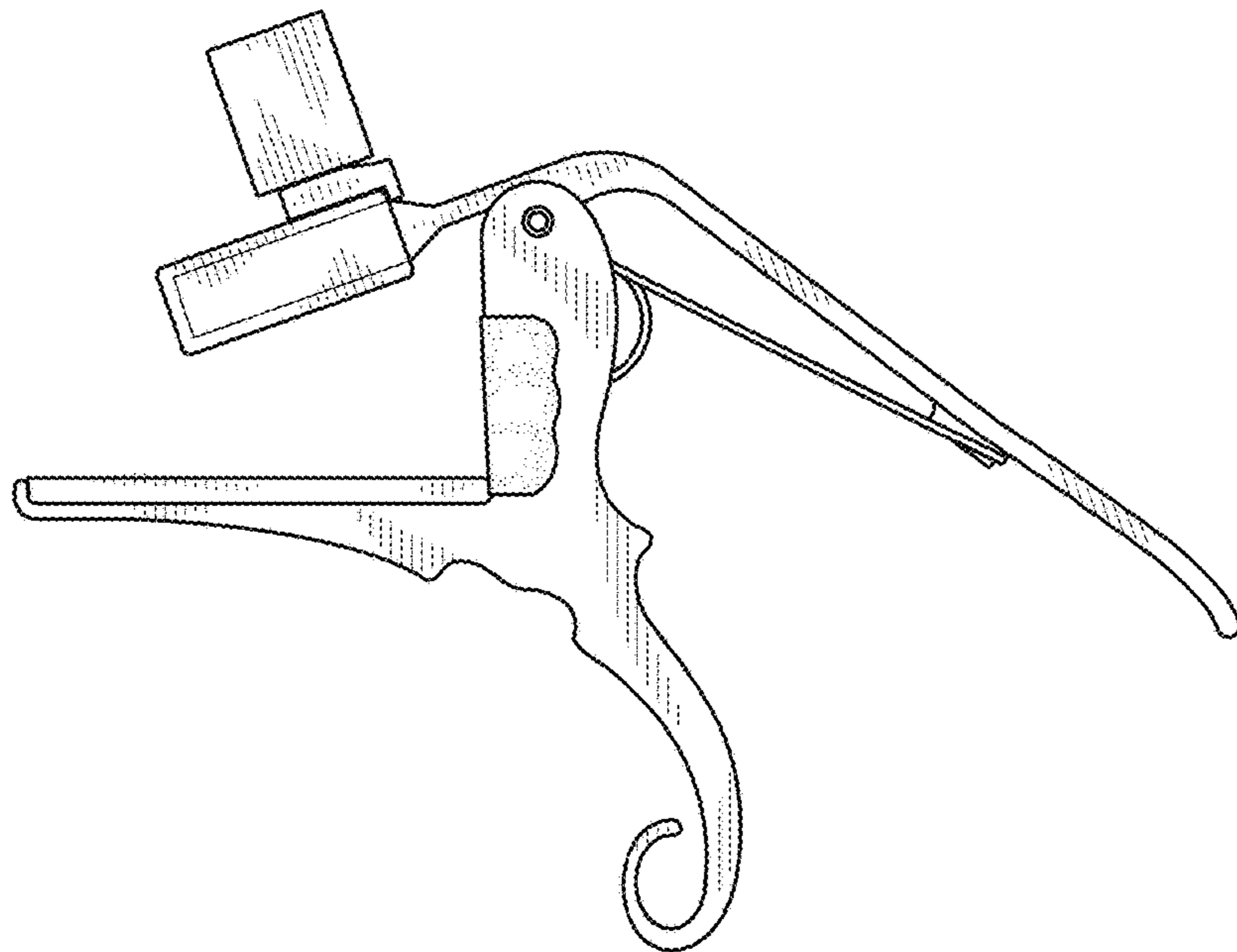


FIG. 3

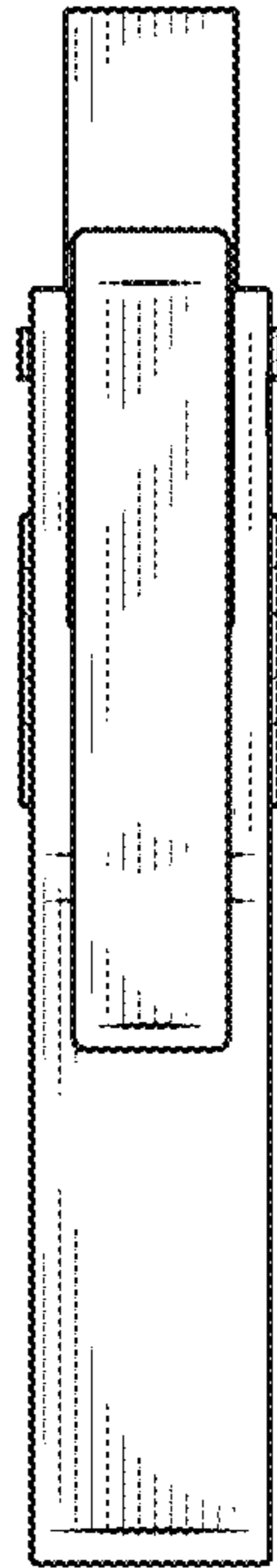


FIG. 4

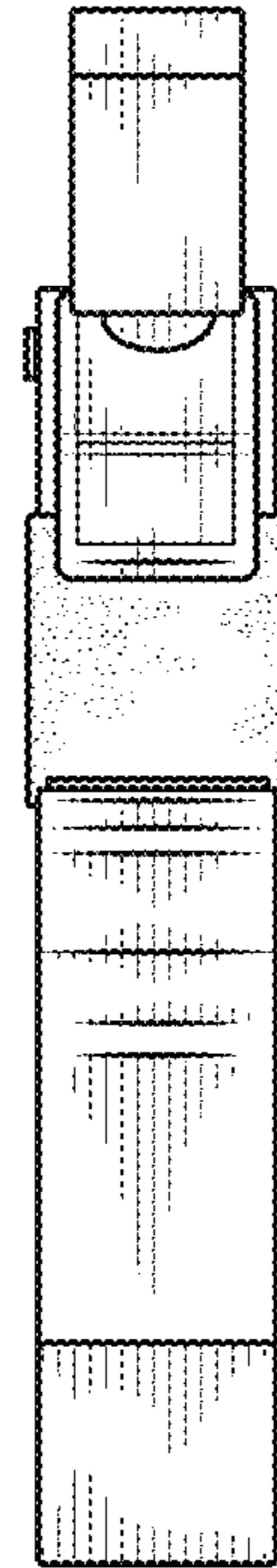


FIG. 5

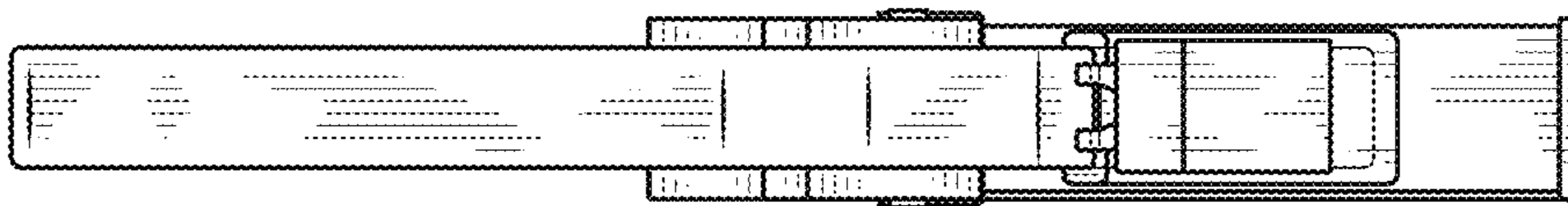


FIG. 6

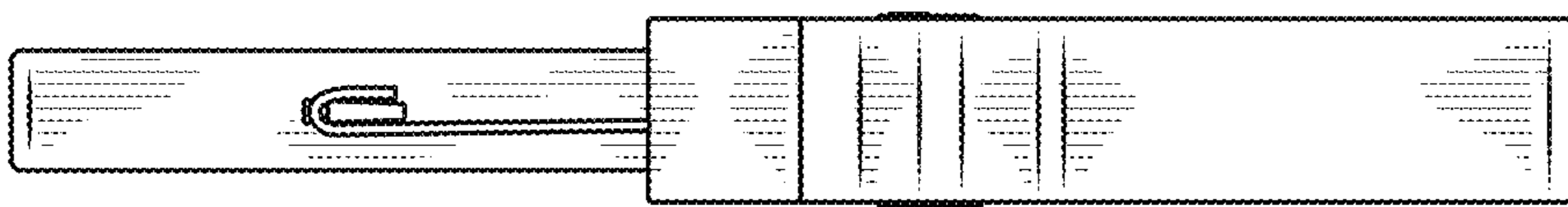


FIG. 7



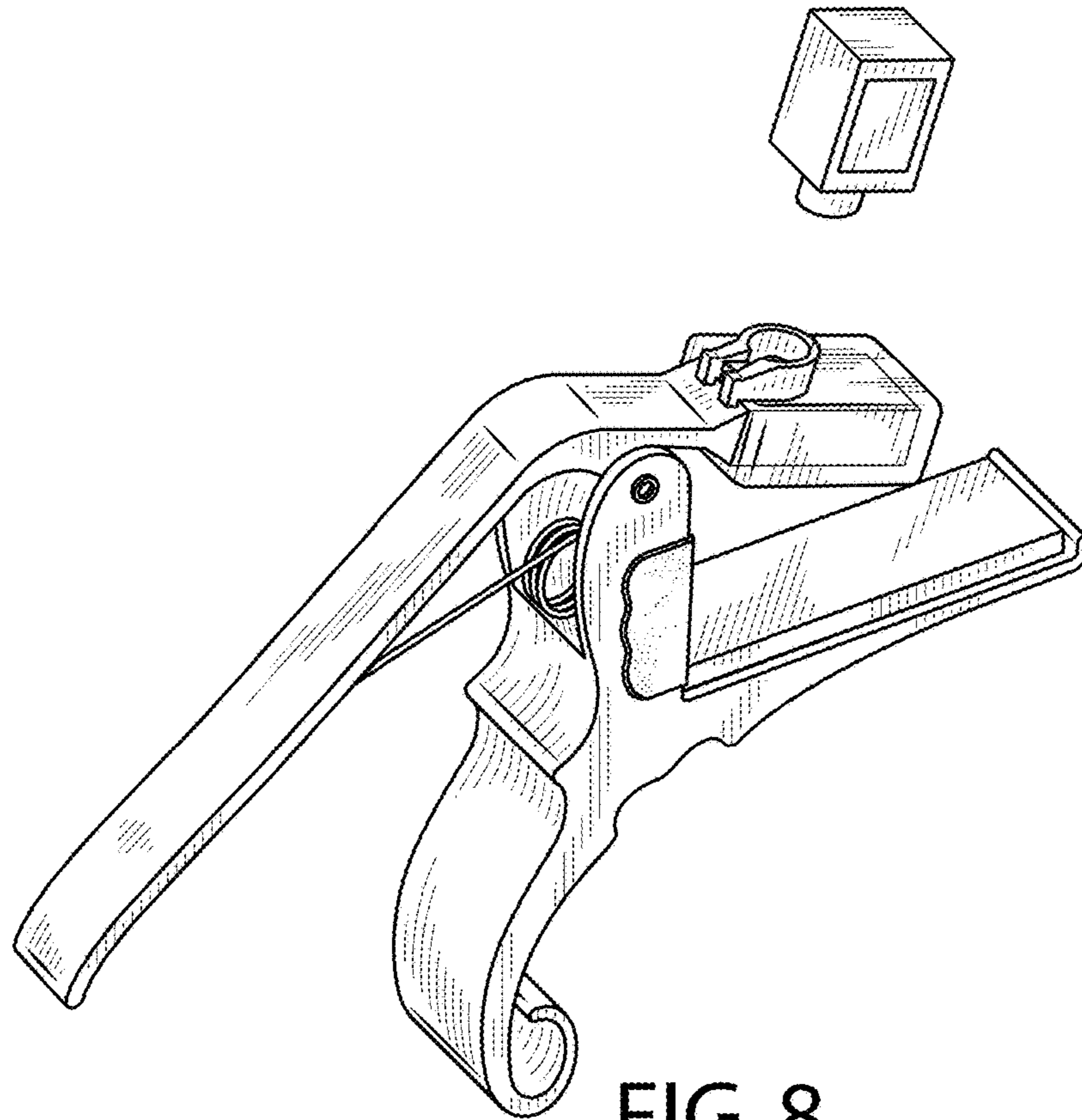


FIG. 8

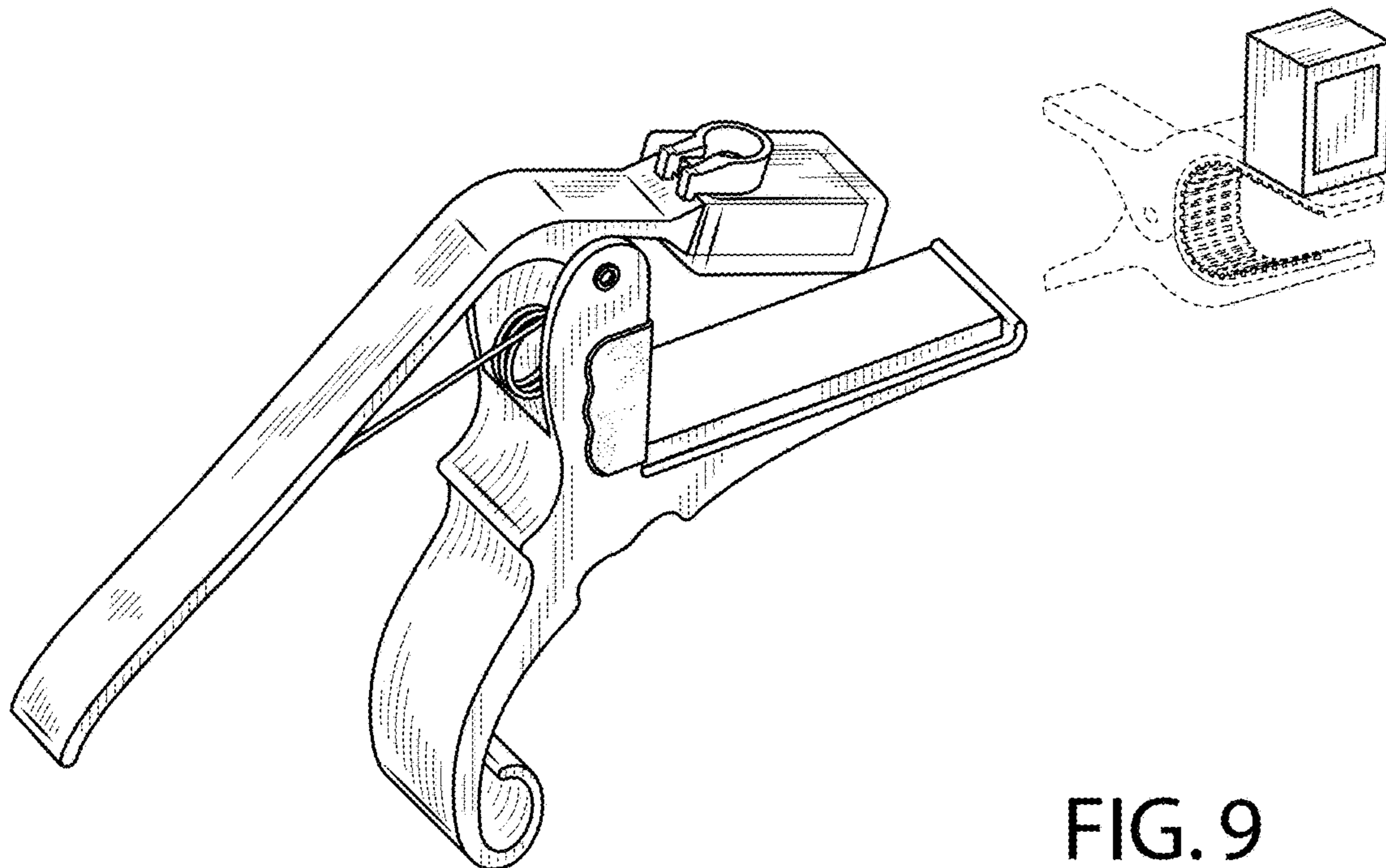


FIG. 9