



US00D793468S

(12) **United States Design Patent** (10) **Patent No.:** **US D793,468 S**
Yu et al. (45) **Date of Patent:** **** Aug. 1, 2017**

(54) **DISPLAY DEVICE**
(71) Applicant: **Garmin Switzerland GmbH**,
Schaffhausen (CH)
(72) Inventors: **Ssu-Chieh Yu**, New Taipei (TW);
Sung-Chi Chen, New Taipei (TW);
Han-Wei Huang, New Taipei (TW);
David F. Lammers-Meis, Olathe, KS
(US); **Peter J. Henne**, Overland Park,
KS (US)
(73) Assignee: **Garmin Switzerland GmbH** (CH)
(**) Term: **15 Years**
(21) Appl. No.: **29/550,432**
(22) Filed: **Jan. 4, 2016**
(51) **LOC (10) Cl.** **16-06**
(52) **U.S. Cl.**
USPC **D16/309**
(58) **Field of Classification Search**
USPC D16/101, 300–342, 900; D29/109–110;
D21/483, 659–661; D14/372; 351/41,
351/44, 45–48, 51–52, 62, 158, 92,
351/103–123, 140–153, 63, 59; 2/13, 15,
2/426–432, 447–449, 441, 434–437
CPC G02C 2200/08; G02C 1/06; G02C 5/14;
G02C 5/16; G02C 11/02; G02C 11/04;
G02C 2200/22; G02C 5/146; G02C
5/2254; G02C 5/008; G01C 5/16; A61M
2021/0044; A63B 33/002
See application file for complete search history.

(56) **References Cited**
U.S. PATENT DOCUMENTS
D514,613 S * 2/2006 Jannard D16/309
D546,866 S * 7/2007 Yang D16/304
D553,173 S * 10/2007 Baden D16/309
D559,250 S * 1/2008 Pombo D14/372

D582,957 S * 12/2008 Moritz D16/309
D605,218 S * 12/2009 Meng-Suen D16/309
D664,184 S * 7/2012 Olsson D16/300
D680,152 S * 4/2013 Olsson D16/309
D688,727 S * 8/2013 Olsson D16/300
D697,130 S * 1/2014 Lovgren D16/309
D697,962 S * 1/2014 Olsson D16/300
D700,928 S * 3/2014 Lavoie D16/309
D701,557 S * 3/2014 Lee D16/309
D704,247 S * 5/2014 Olsson D16/300
D716,364 S * 10/2014 Chow D16/300
(Continued)

OTHER PUBLICATIONS

Printout from <https://www.vuzix.com/Products/m100-smart-glasses>
published prior to Jan. 4, 2016.
(Continued)

Primary Examiner — Eric Goodman
Assistant Examiner — Sanjeev Paul
(74) *Attorney, Agent, or Firm* — Samuel M. Korte; Max
M. Ali

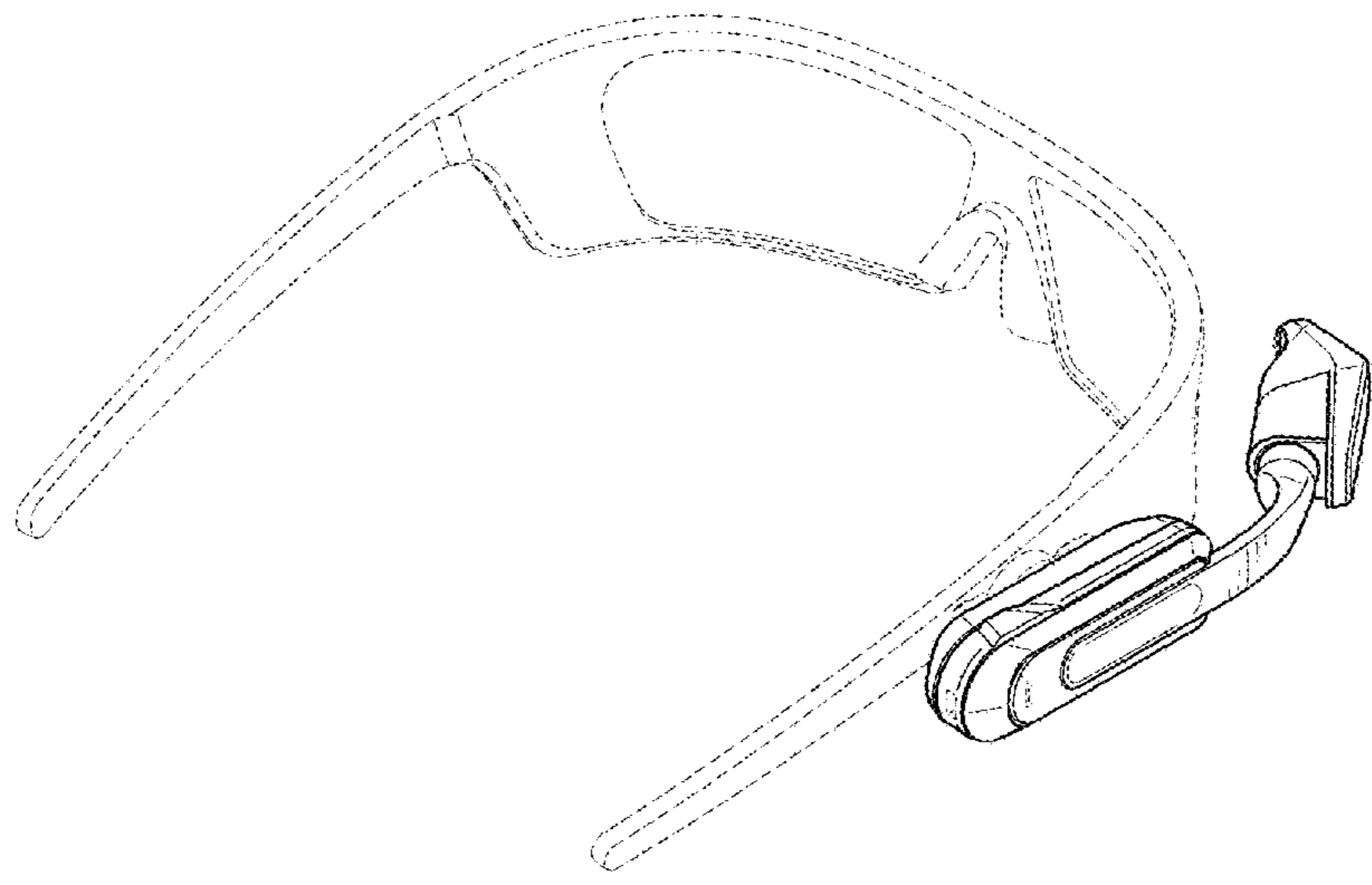
(57) **CLAIM**

The ornamental design for a display device, as shown and
described.

DESCRIPTION

FIG. 1 is a front perspective view of a display device
according to the present invention;
FIG. 2 is a rear perspective view of the display device;
FIG. 3 is a left side view of the display device;
FIG. 4 is a right side view of the display device;
FIG. 5 is a front view of the display device;
FIG. 6 is a rear view of the display device;
FIG. 7 is a top view of the display device; and,
FIG. 8 is a bottom view of the display device.
The structural features depicted by broken lines have been
shown for the purpose of illustrating portions of the display
device that form no part of the claimed design.

1 Claim, 4 Drawing Sheets



(56)

References Cited

U.S. PATENT DOCUMENTS

D718,304 S * 11/2014 Heinrich D14/372
 D718,306 S * 11/2014 Mehin D14/372
 D718,366 S * 11/2014 Mehin D16/300
 D718,367 S * 11/2014 Mehin D16/300
 D718,765 S * 12/2014 Olsson D14/372
 D724,587 S * 3/2015 Choo D14/372
 D725,101 S * 3/2015 Lee D14/372
 D725,104 S * 3/2015 Olsson D14/372
 D725,105 S * 3/2015 Olsson D14/372
 D725,653 S * 3/2015 Choo D14/372
 D734,807 S * 7/2015 Wu D16/306
 D746,818 S * 1/2016 Cho D14/372
 D748,715 S * 2/2016 Li D16/309
 D749,074 S * 2/2016 Cazalet D14/372
 D757,154 S * 5/2016 Muftic D16/300
 D759,015 S * 6/2016 Mehin D14/372
 D762,212 S * 7/2016 Iritani D14/372
 D762,643 S * 8/2016 Cazalet D14/372
 D763,257 S * 8/2016 Cazalet D14/372
 D763,344 S * 8/2016 Roy D16/309
 D768,628 S * 10/2016 Choi D14/372
 D769,873 S * 10/2016 Cazalet D14/372
 D773,552 S * 12/2016 Champ D16/312
 D778,907 S * 2/2017 Maeda D14/372
 2007/0200999 A1 * 8/2007 Lee G02C 11/04
 351/158

2007/0201000 A1 * 8/2007 Jackson G02C 11/10
 351/158
 2008/0198324 A1 * 8/2008 Fuziak G02B 27/0172
 351/158
 2010/0245754 A1 * 9/2010 Matsumoto G02B 27/0176
 351/158
 2011/0255049 A1 * 10/2011 Corona G02C 11/00
 351/123
 2014/0368787 A1 * 12/2014 Gottardi G02C 5/143
 351/158
 2015/0077696 A1 * 3/2015 Tanaka G02C 11/00
 351/62
 2016/0018673 A1 * 1/2016 Wang G02B 27/0172
 351/158
 2016/0048025 A1 * 2/2016 Cazalet G02B 27/0176
 351/116

OTHER PUBLICATIONS

Printout from <http://store.reconinstruments.com/Recon-Jet> published prior to Jan. 4, 2016.
 Printout from <http://www.techradar.com/reviews/gadgets/google-glass-1152283/review> published prior to Jan. 4, 2016.
 Printout from <https://www.engadget.com/2015/01/06/sony-smartglasses-attach/> published prior to Jan. 4, 2016.

* cited by examiner

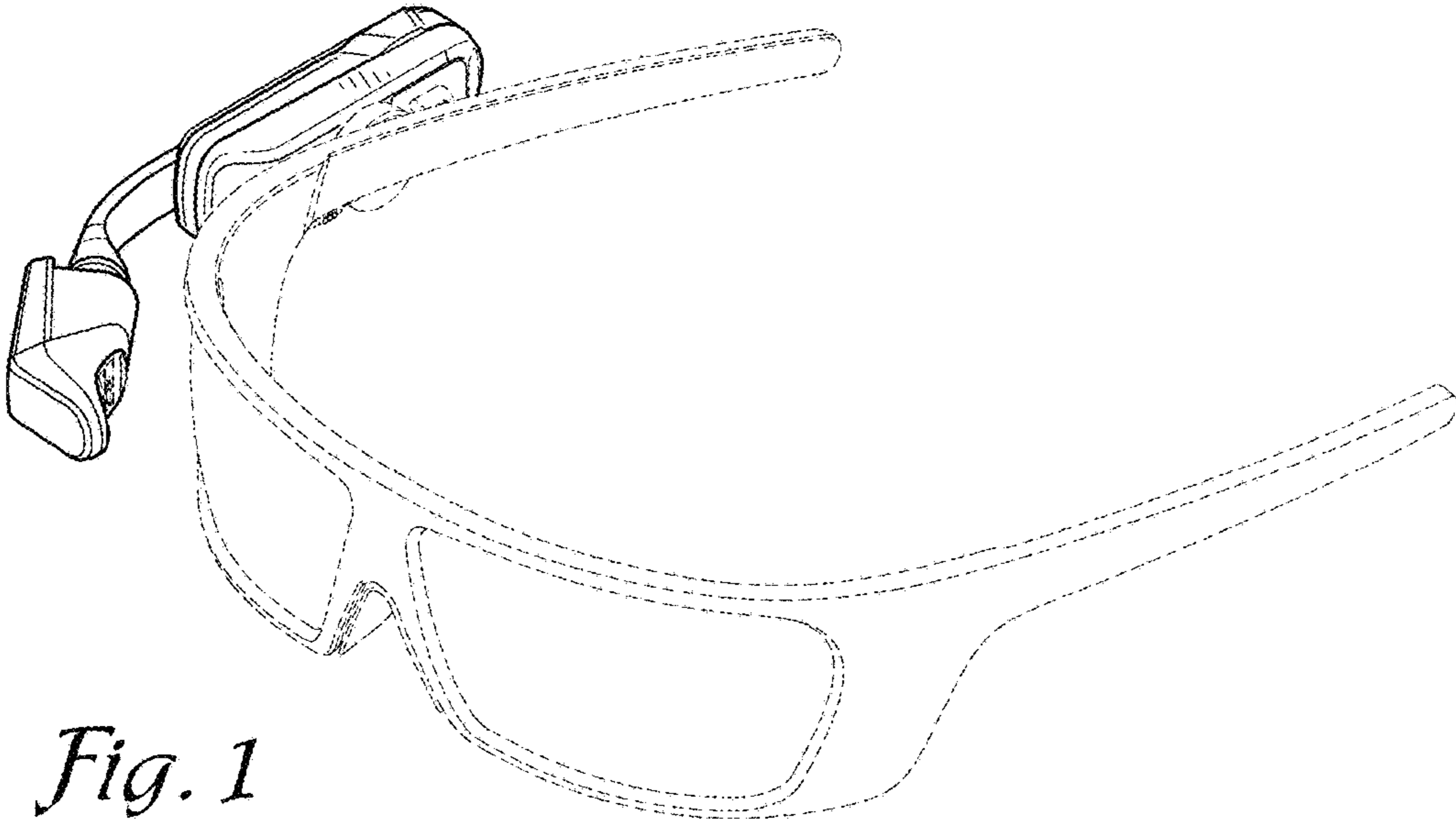


Fig. 1

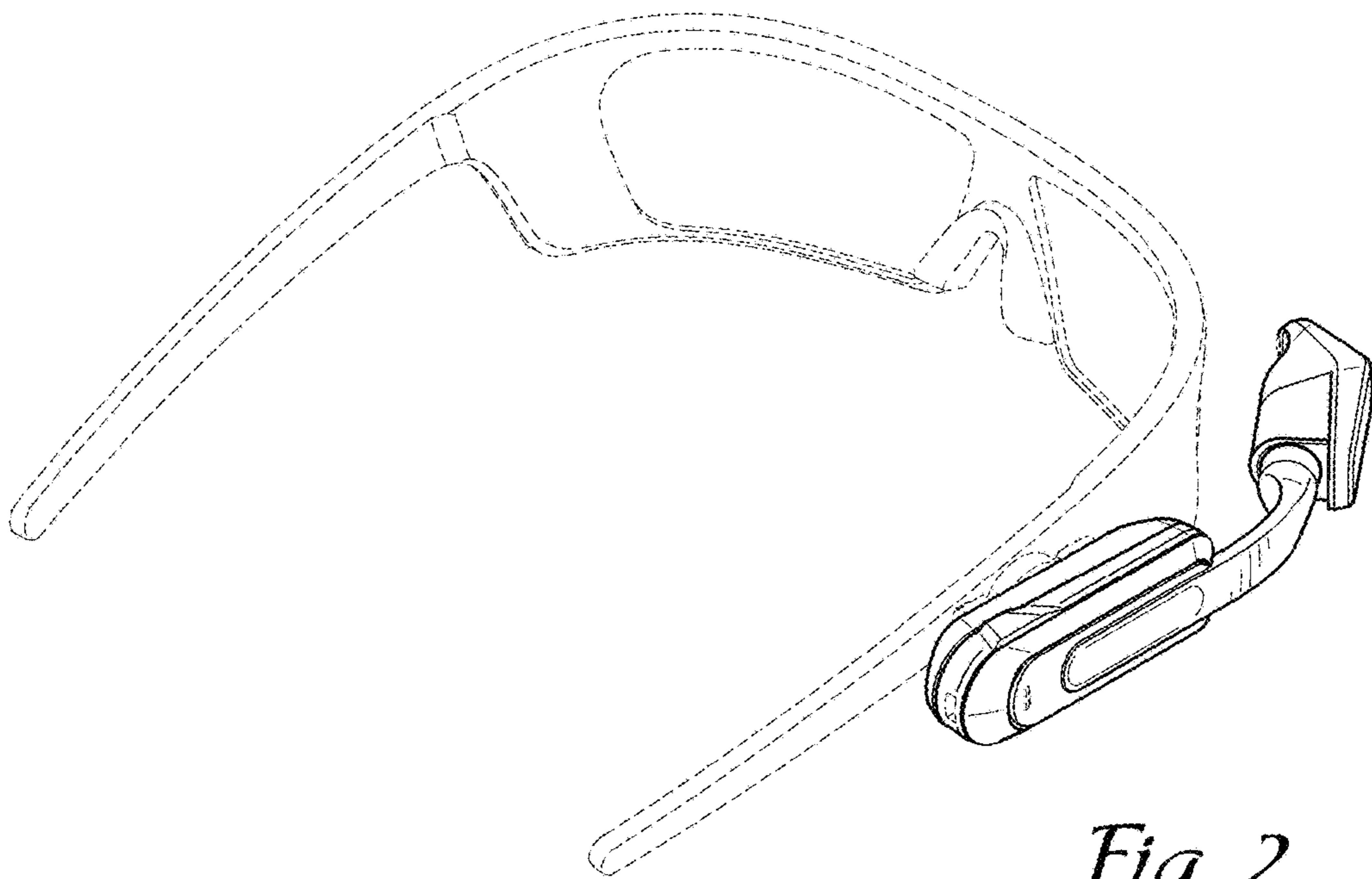


Fig. 2

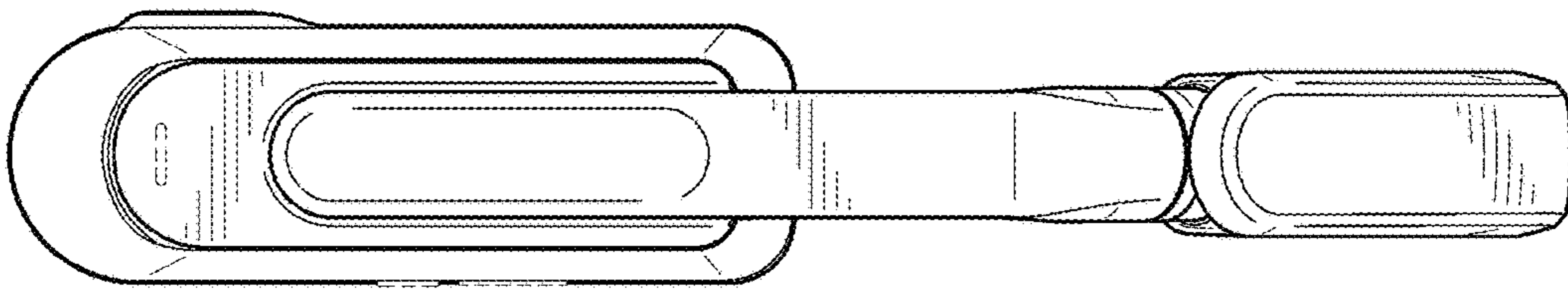


Fig. 3

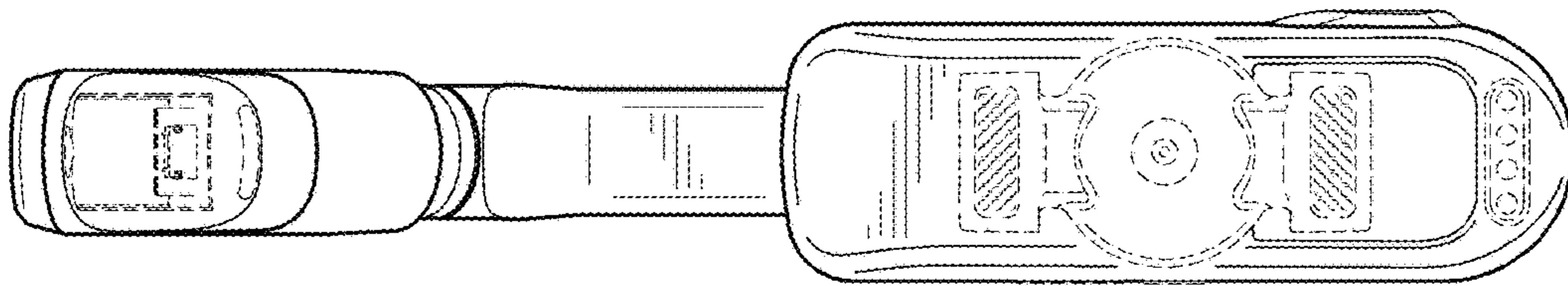


Fig. 4

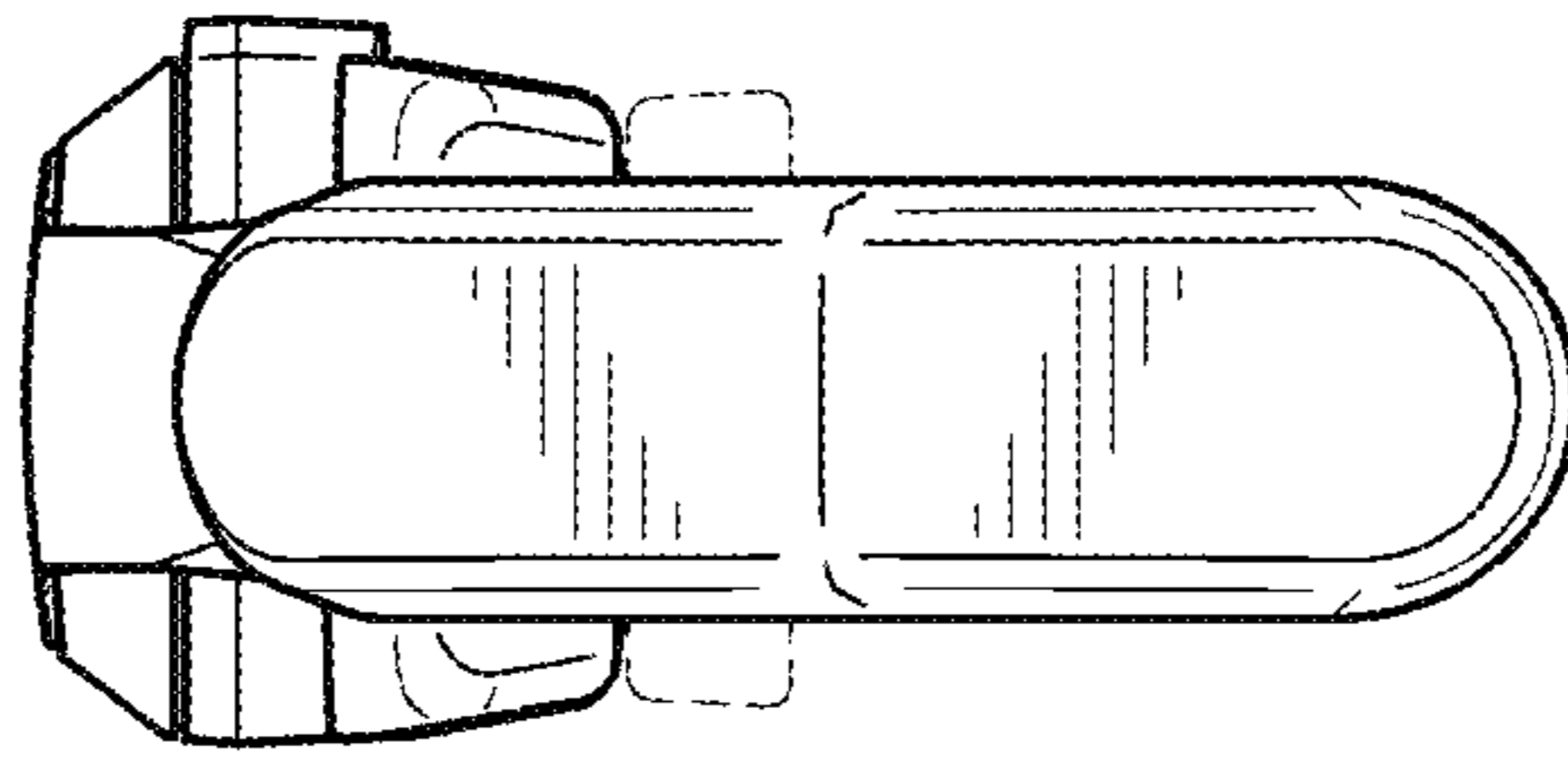


Fig. 5

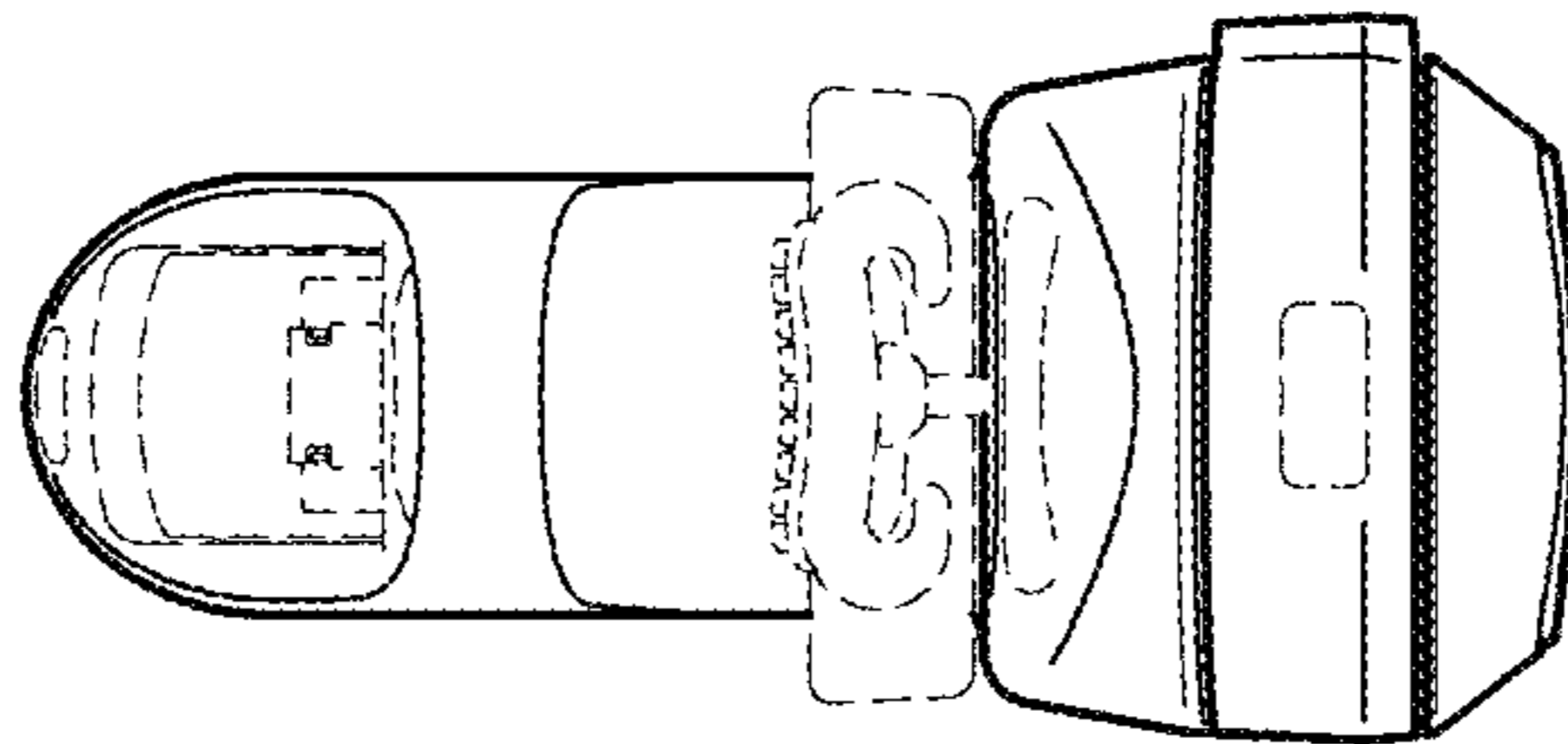


Fig. 6

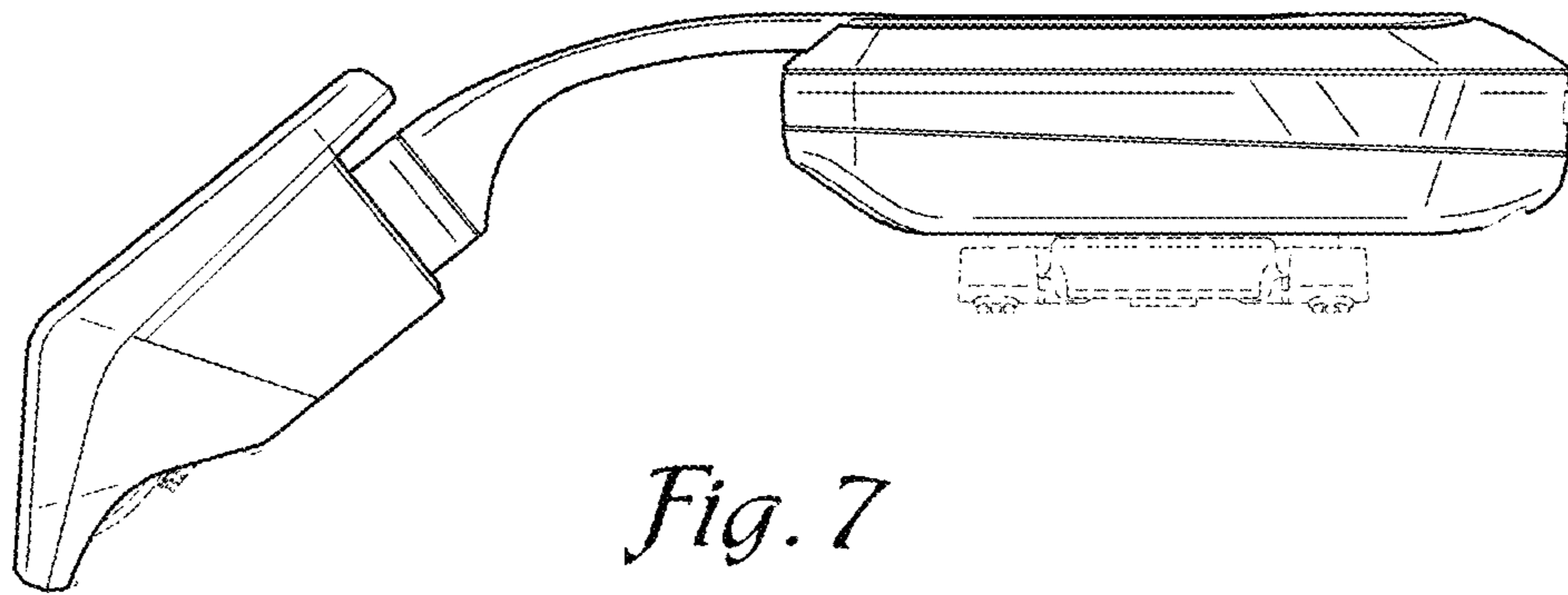


Fig. 7

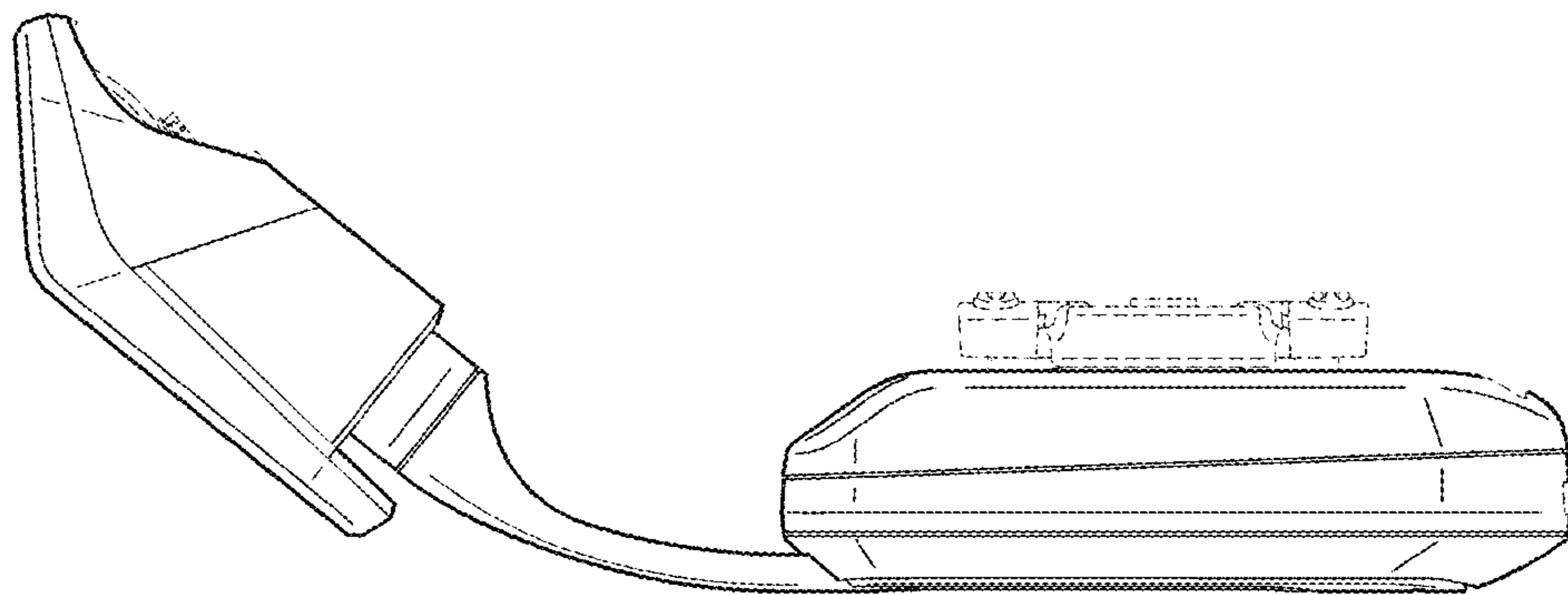


Fig. 8