



US00D793465S

(12) **United States Design Patent**  
**Kong**

(10) **Patent No.:** **US D793,465 S**

(45) **Date of Patent:** **\*\* Aug. 1, 2017**

(54) **MOVABLE CAMERA MODULE FOR PORTABLE ELECTRONIC DEVICE**

(71) Applicant: **Intel Corporation**, Santa Clara, CA (US)

(72) Inventor: **Duck Young Kong**, Beaverton, OR (US)

(73) Assignee: **Intel Corporation**, Santa Clara, CA (US)

(\*\*) Term: **14 Years**

(21) Appl. No.: **29/512,974**

(22) Filed: **Dec. 23, 2014**

(51) **LOC (10) Cl.** ..... **16-01**

(52) **U.S. Cl.**  
USPC ..... **D16/208**; D14/439

(58) **Field of Classification Search**  
USPC ..... D14/315-317, 336, 339-341, 346, 439,  
D14/448, 450; D16/200, 202, 208, 211,  
D16/214, 219

CPC .... G06F 1/1601; G06F 1/1615; G06F 1/1684;  
G06F 1/1686

See application file for complete search history.

(56) **References Cited**

**U.S. PATENT DOCUMENTS**

D355,921 S \* 2/1995 Crouch ..... D16/202  
D391,590 S \* 3/1998 Sumita ..... D16/202

(Continued)

**OTHER PUBLICATIONS**

Asus W5F1 Notebook, posted at Pceper.com, posting date Apr. 26, 2006 [online], [site visited Mar. 10, 2017]. Available from Internet,

<URL: <https://www.pceper.com/reviews/Mobile/AsusW5F12inchCoreDuoNotebookReview/PackageContentsandDesign>>.\*

*Primary Examiner* — Susan E Krakower

*Assistant Examiner* — Lisa A Grabenstetter

(74) *Attorney, Agent, or Firm* — Patent Capital Group

(57) **CLAIM**

The ornamental design for a movable camera module for portable electronic device, as shown and described.

**DESCRIPTION**

FIG. 1 is a back perspective view illustrating a movable camera module for portable electronic device showing my new design, shown in a retracted configuration;

FIG. 2 is a front view thereof;

FIG. 3 is a back view thereof;

FIG. 4 is a side view thereof;

FIG. 5 is another side view thereof;

FIG. 6 is a top view thereof;

FIG. 7 is a bottom view thereof;

FIG. 8 is a front perspective view thereof, shown in an extended configuration;

FIG. 9 is a back view thereof;

FIG. 10 is a front view thereof;

FIG. 11 is a side view thereof;

FIG. 12 is another side view thereof;

FIG. 13 is a top view thereof;

FIG. 14 is a bottom view thereof;

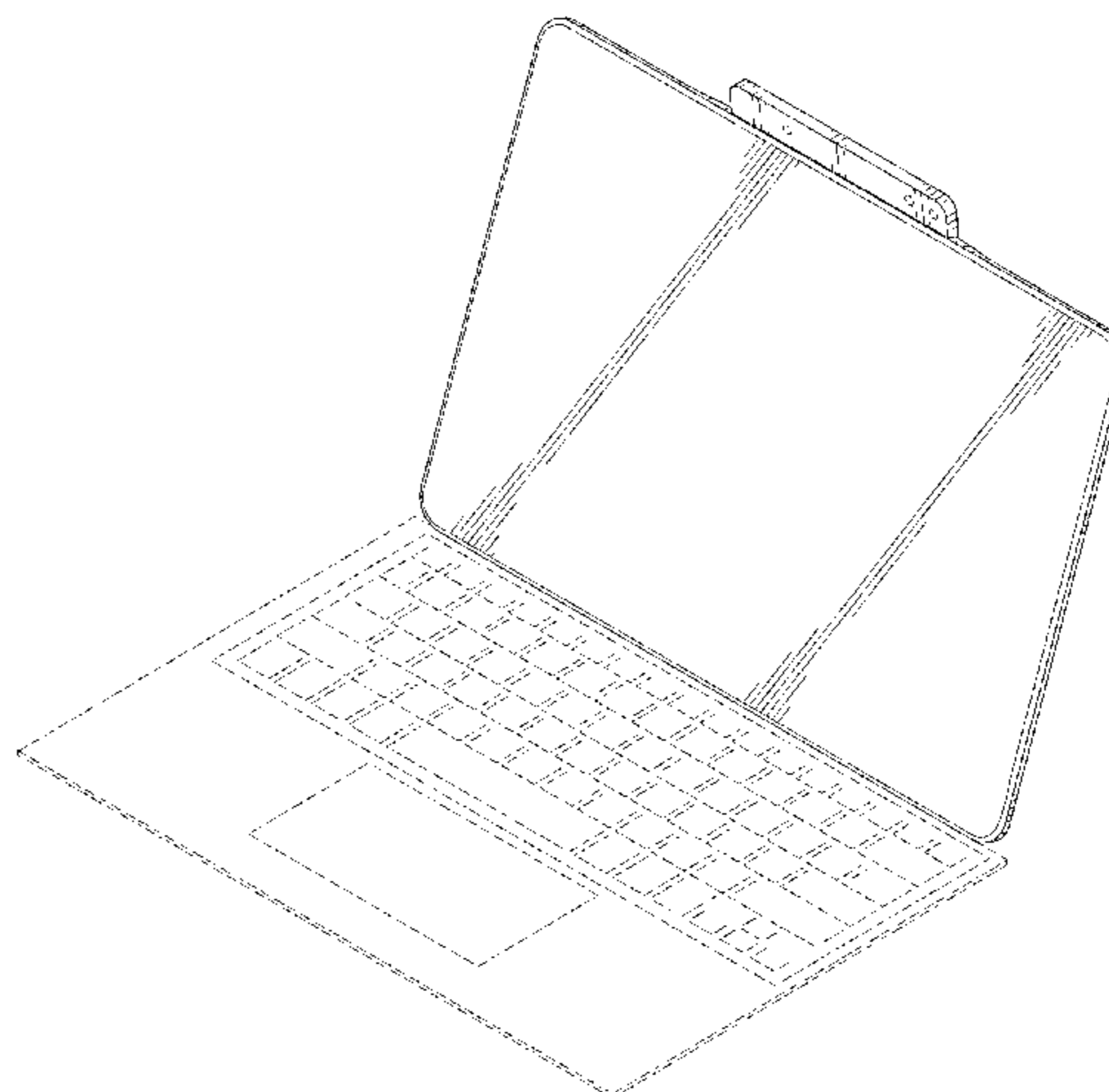
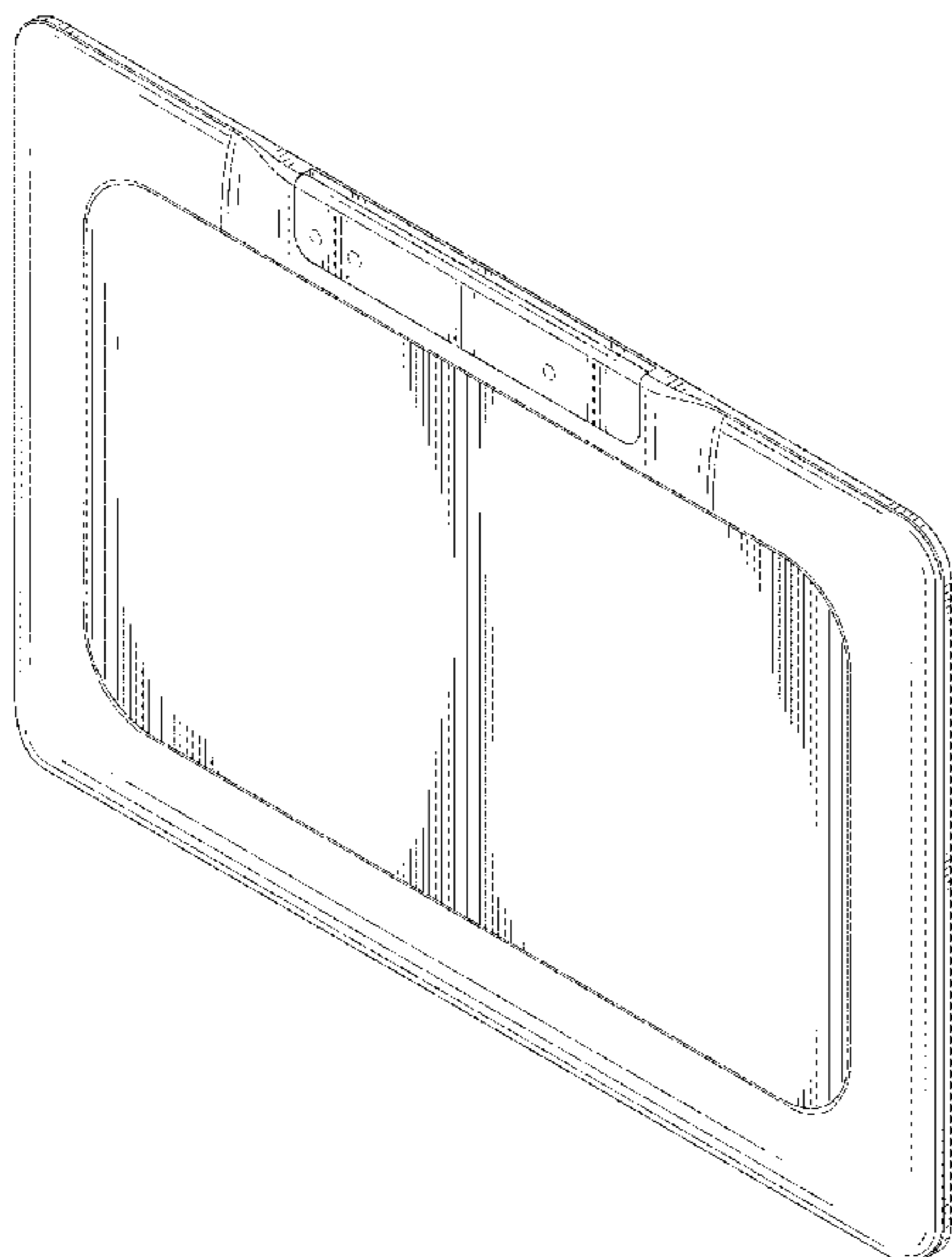
FIG. 15 is another front perspective view, shown in a partially folded configuration; and,

FIG. 16 is another front perspective view, shown in an extended configuration.

The broken lines on the surface of the design represent unclaimed portions of the camera.

The broken lines depicting a desk surface and a keyboard in FIGS. 15 and 16 represent unclaimed environmental structure.

**1 Claim, 12 Drawing Sheets**



(56)

References Cited

U.S. PATENT DOCUMENTS

D411,219 S \* 6/1999 Sumita ..... D16/202  
 D438,866 S \* 3/2001 Suzuki ..... D14/439  
 6,812,958 B1 \* 11/2004 Silvester ..... G06F 1/1607  
 348/207.1  
 D502,199 S \* 2/2005 Imai ..... D16/200  
 D506,767 S \* 6/2005 Imai ..... D16/200  
 D516,106 S \* 2/2006 Sakai ..... D16/200  
 D585,888 S \* 2/2009 Watson ..... D14/341  
 D593,553 S \* 6/2009 Okamoto ..... D14/341  
 7,800,648 B2 \* 9/2010 Lu ..... H04N 5/2252  
 348/207.1  
 D656,137 S \* 3/2012 Chung ..... D14/341  
 D657,785 S \* 4/2012 Lee ..... D14/315  
 8,430,594 B2 \* 4/2013 Liu ..... H04N 5/2252  
 348/373  
 D687,826 S \* 8/2013 Jeon ..... D14/341  
 D688,238 S \* 8/2013 Hsu ..... D14/315  
 D690,692 S \* 10/2013 Shin ..... D14/341  
 D691,132 S \* 10/2013 Sharma ..... D14/341  
 D695,249 S \* 12/2013 Kim ..... D14/138 G  
 2005/0168924 A1 \* 8/2005 Wu ..... G06F 1/1616  
 361/679.58  
 2006/0061962 A1 \* 3/2006 Oakley ..... G06F 1/1601  
 361/679.23  
 2007/0253703 A1 \* 11/2007 Tsai ..... G03B 17/02  
 396/429  
 2009/0322967 A1 \* 12/2009 Liou ..... G06F 1/1616  
 348/744  
 2011/0286170 A1 \* 11/2011 Liu ..... G06F 1/1616  
 361/679.4

\* cited by examiner

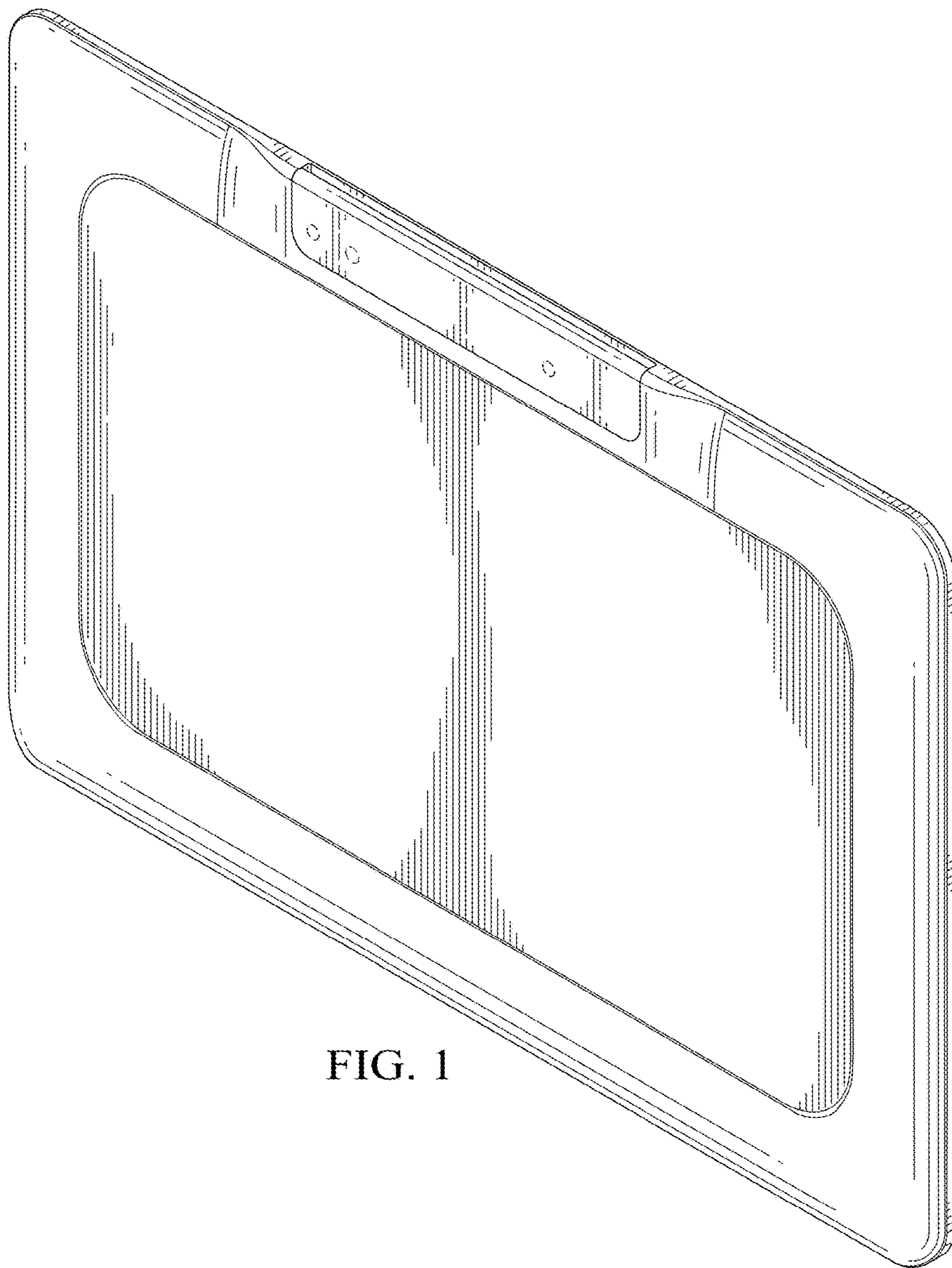


FIG. 1



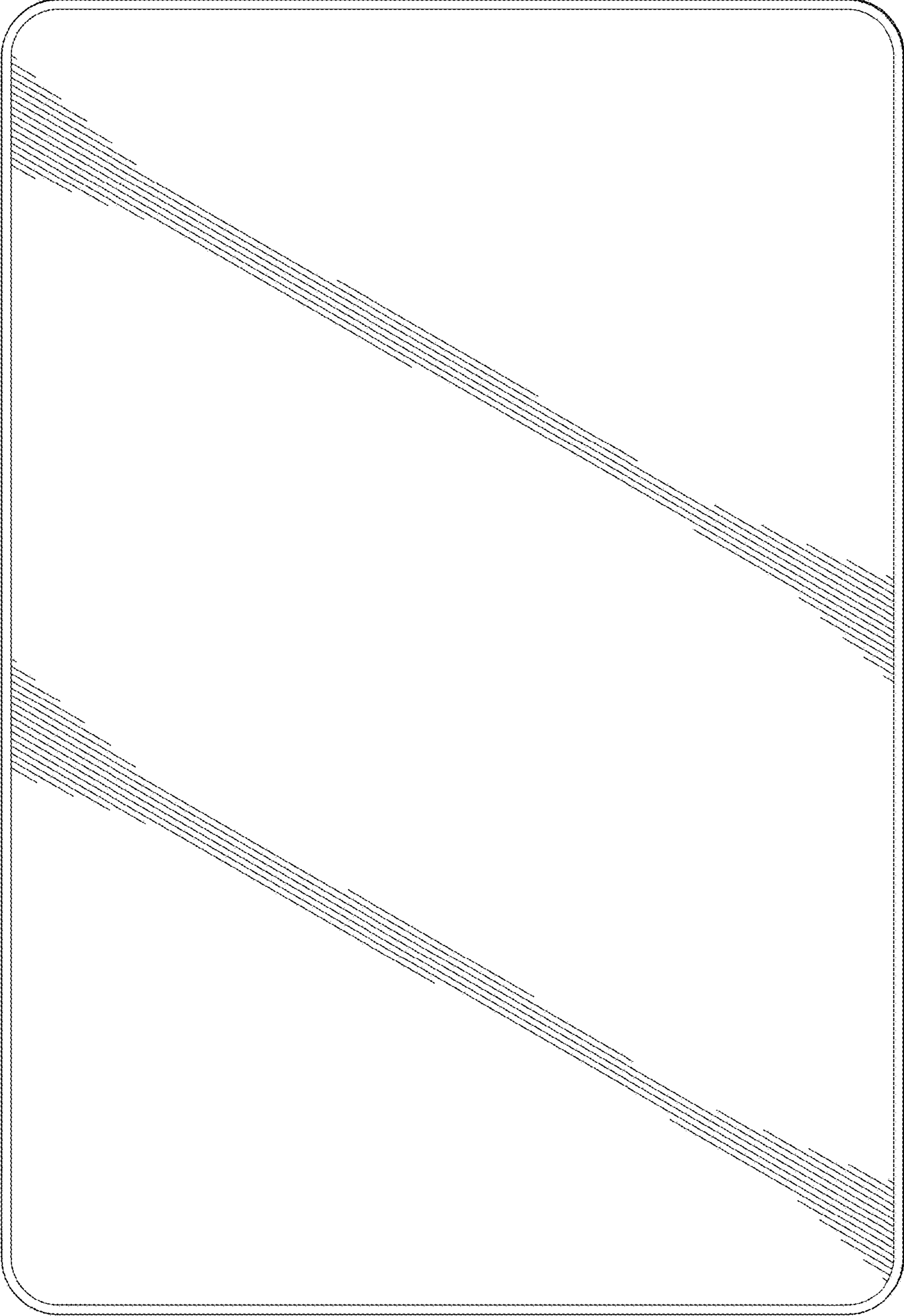


FIG. 2

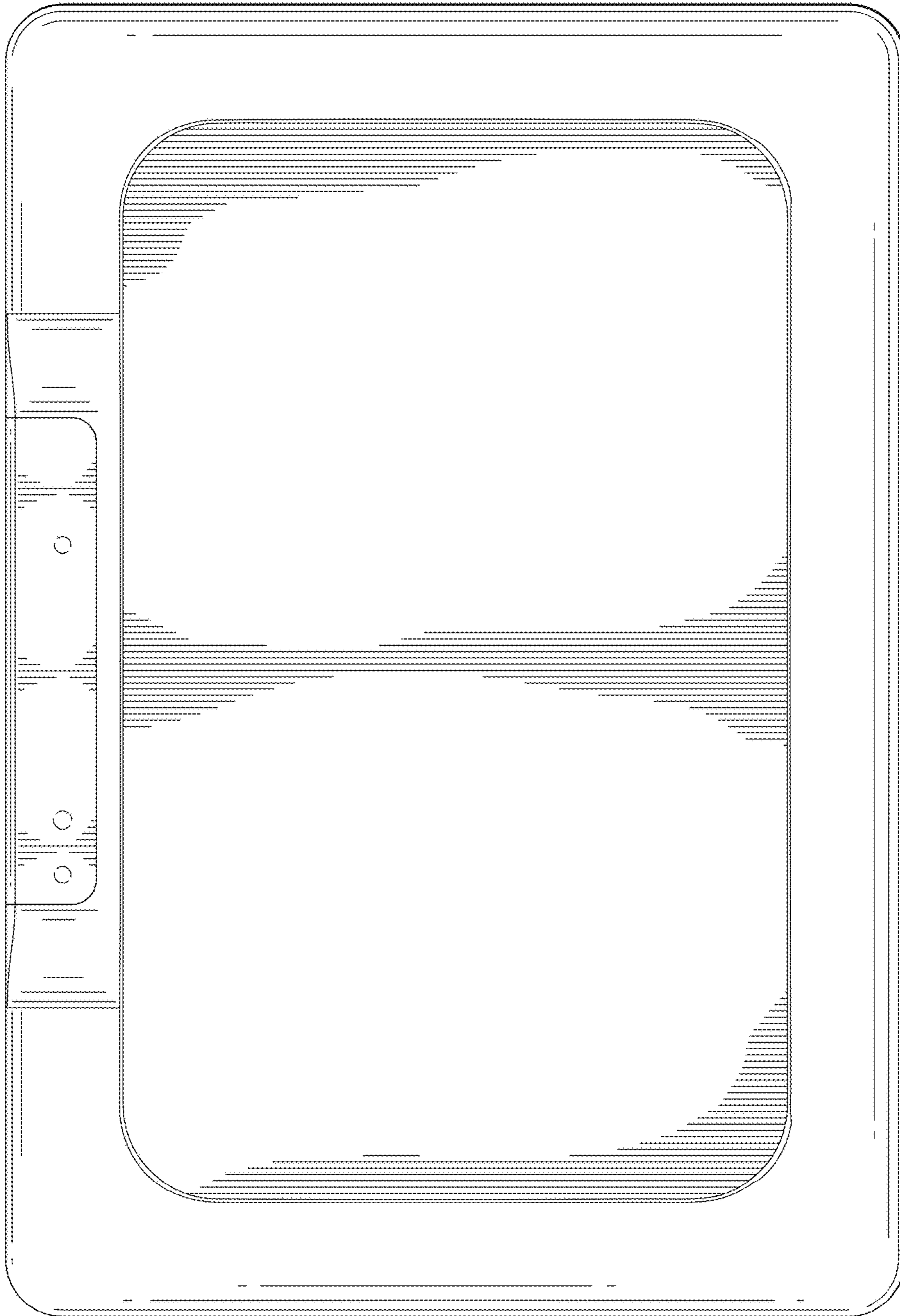


FIG. 3

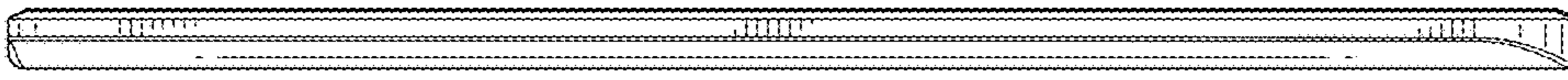


FIG. 5

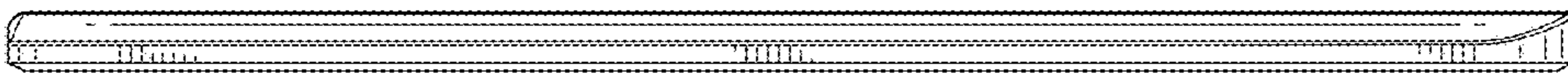


FIG. 4



FIG. 6



FIG. 7

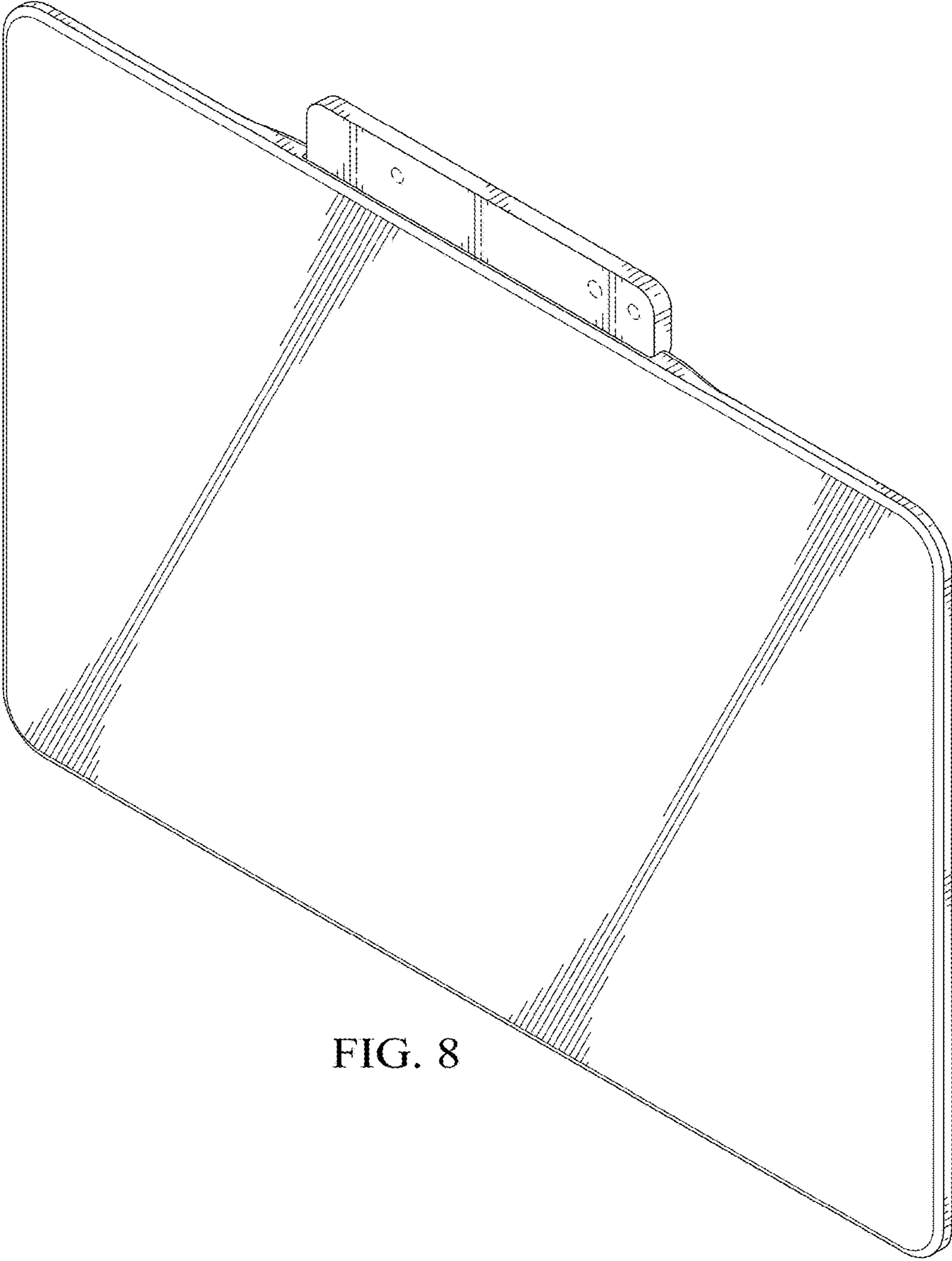


FIG. 8



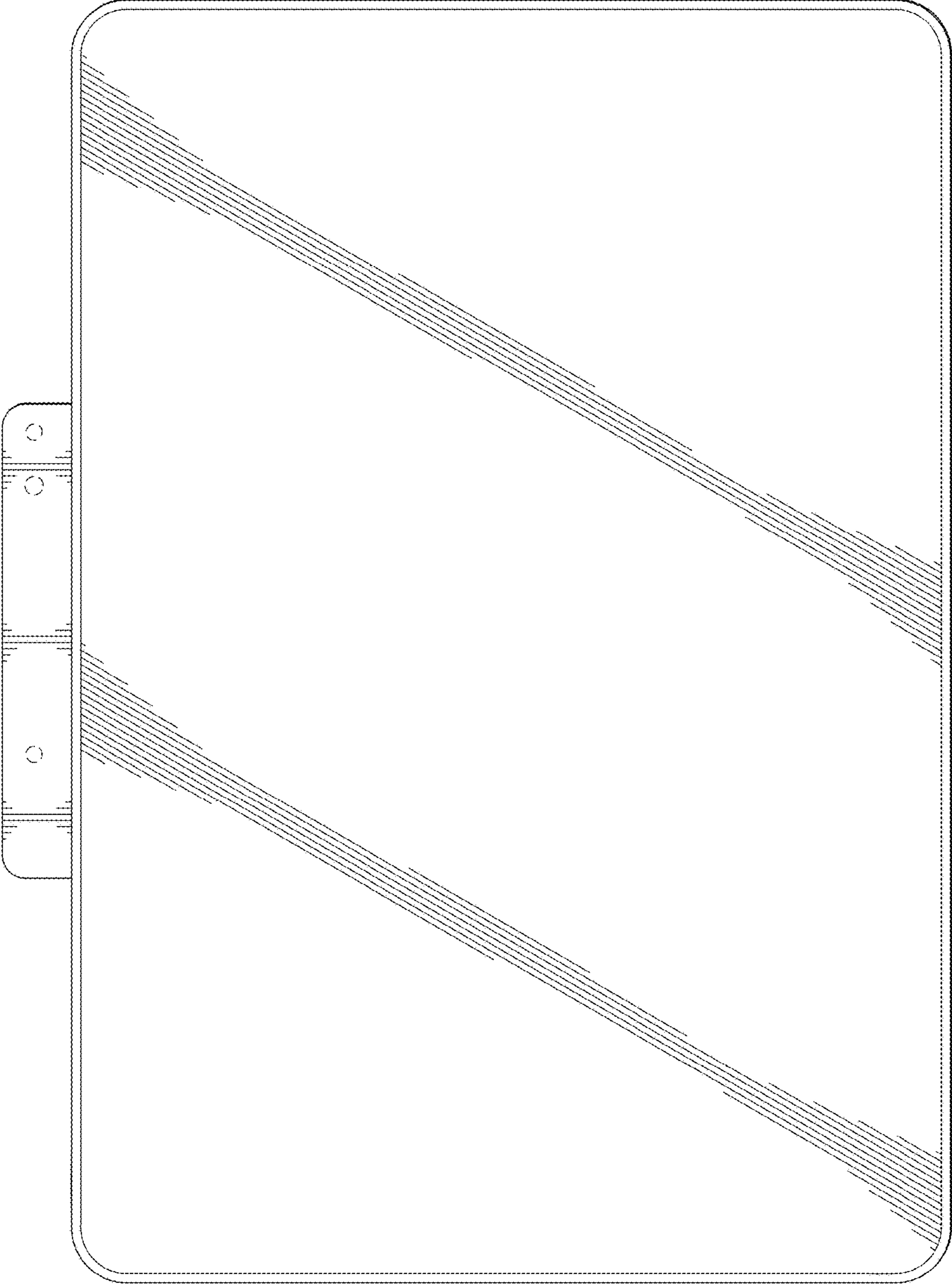


FIG. 9

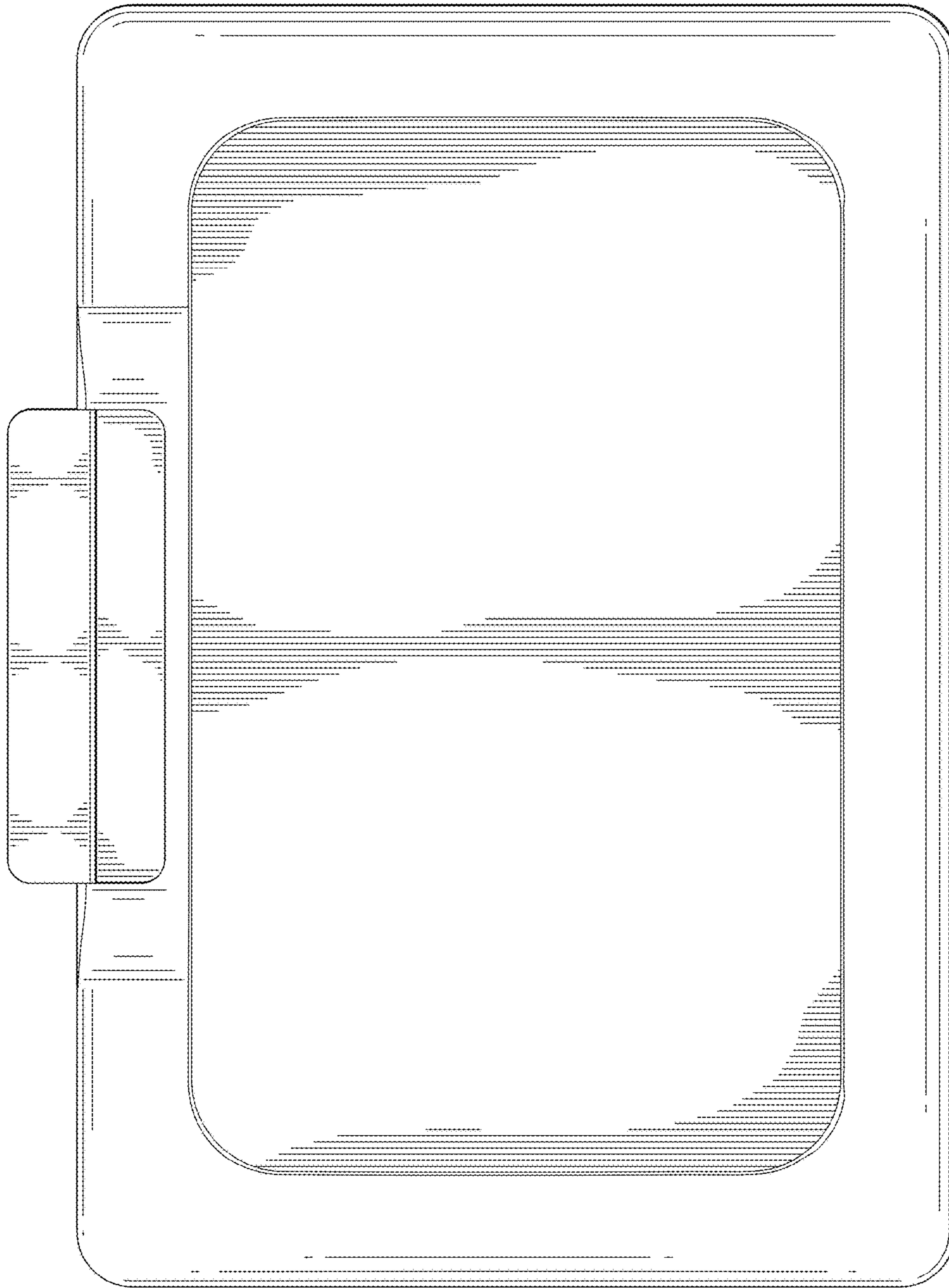


FIG. 10

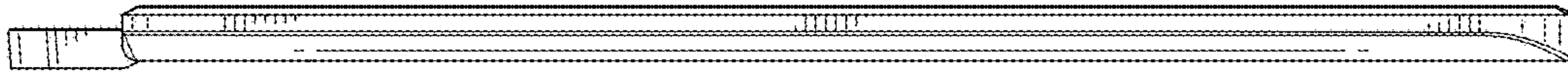


FIG. 12

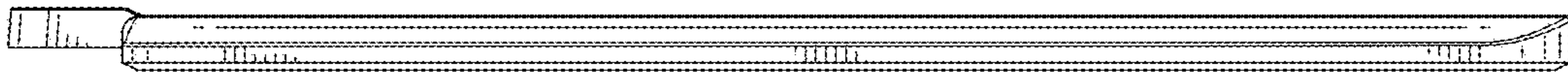


FIG. 11



FIG. 13



FIG. 14



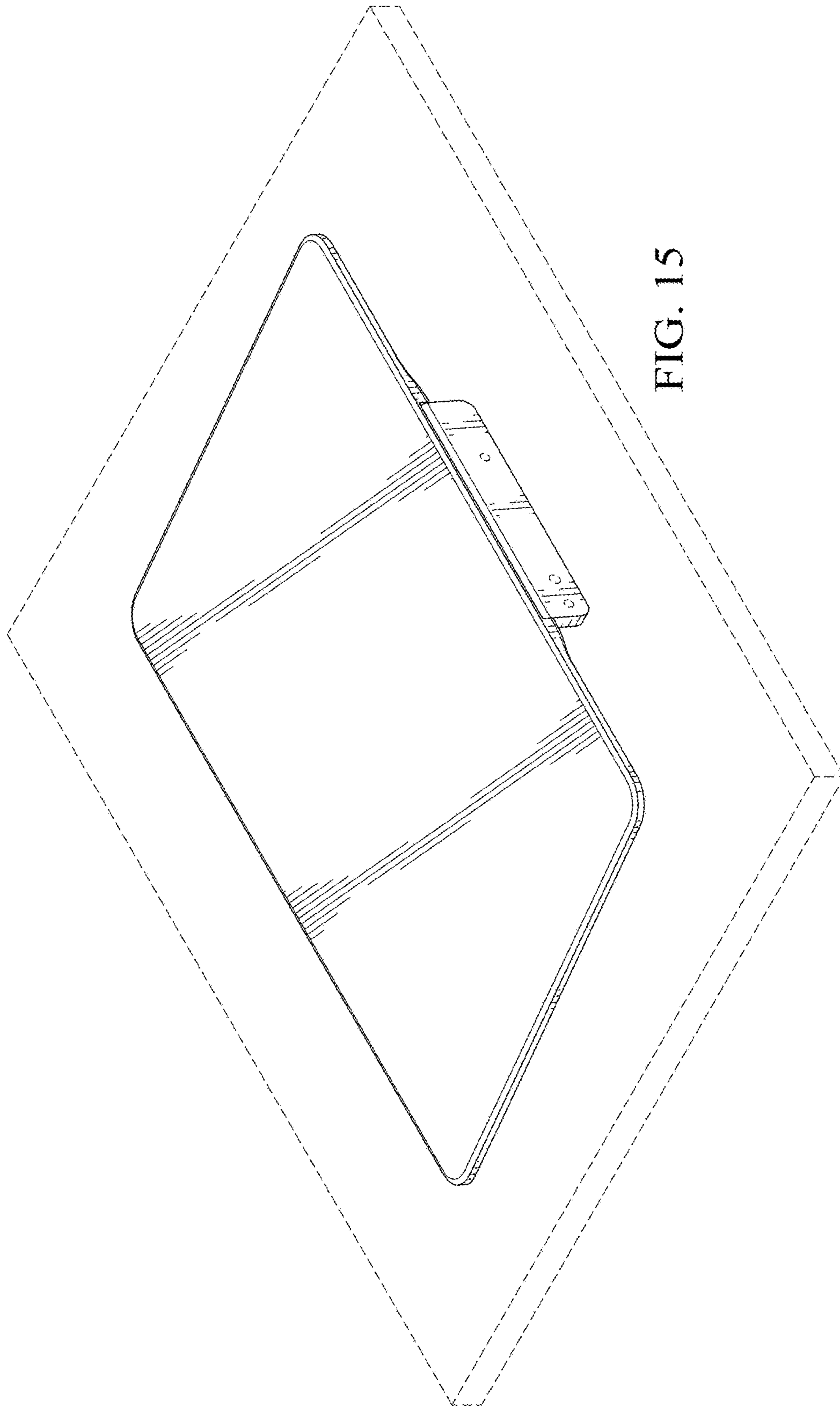


FIG. 15

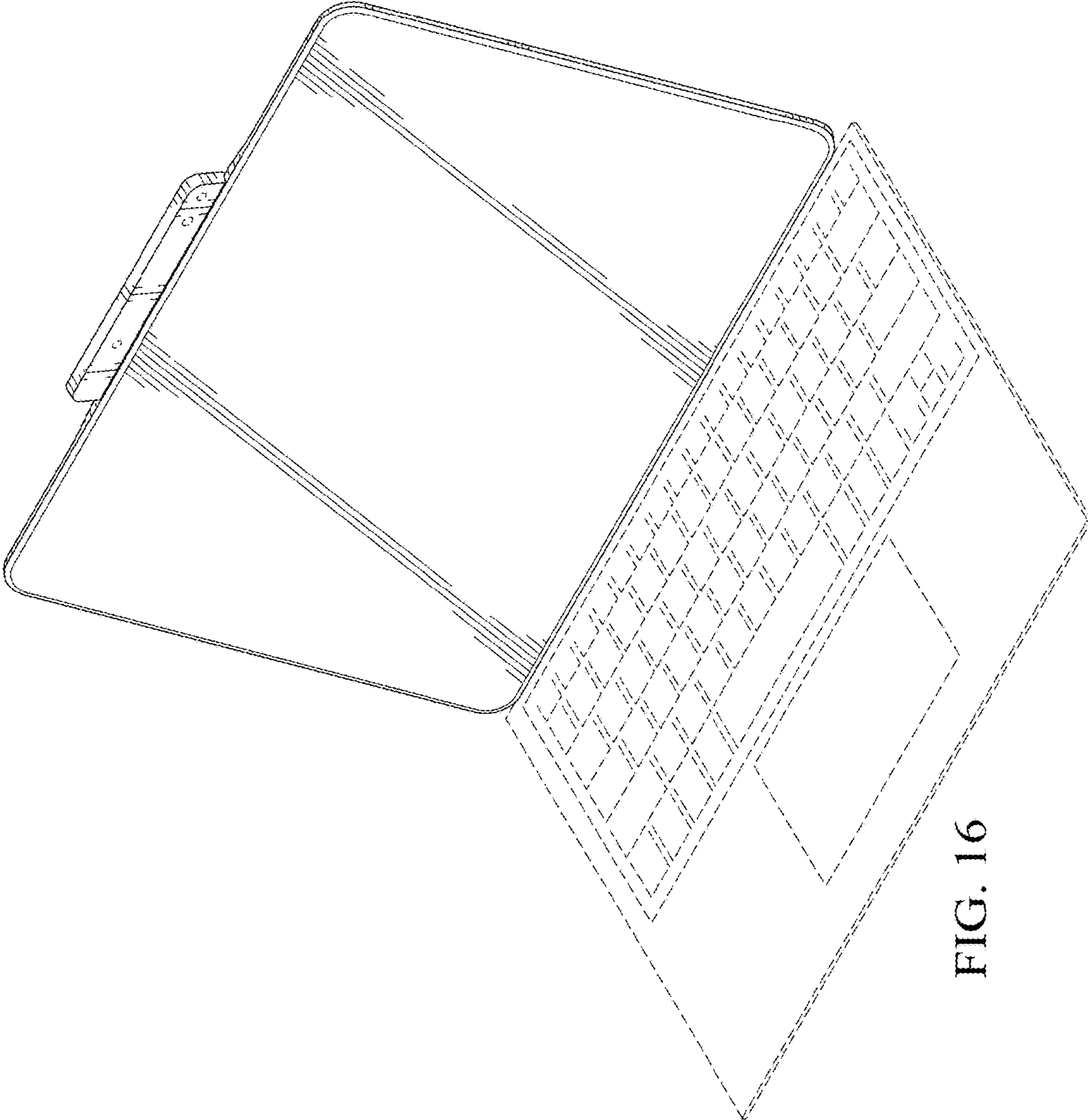


FIG. 16