



US00D793462S

(12) **United States Design Patent** (10) **Patent No.:** **US D793,462 S**
Lottes (45) **Date of Patent:** **** Aug. 1, 2017**

(54) **MONOCULAR**

D547,780 S * 7/2007 Meinzer D16/132
D564,555 S * 3/2008 Palmer D16/132
D594,494 S * 6/2009 Chujo D16/132

(71) Applicant: **STEINER-OPTIK GMBH**, Bayreuth (DE)

(Continued)

(72) Inventor: **Gerd Lottes**, Bayreuth (DE)

OTHER PUBLICATIONS

(73) Assignee: **STEINER-OPTIK GMBH**, Bayreuth (DE)

Optics Reviewer, The Docter Monocular—Have you ever seen a folding monocular?, Aug. 2012,[online], Retrieved Nov. 22, 2016 from <URL: <http://www.opticsreviewer.com/docter-monocular.html> >.*

(**) Term: **15 Years**

(Continued)

(21) Appl. No.: **29/558,109**

Primary Examiner — Sheryl Lane

(22) Filed: **Mar. 15, 2016**

Assistant Examiner — Calvin E Vansant

(30) **Foreign Application Priority Data**

(74) *Attorney, Agent, or Firm* — Troutman Sanders LLP

Sep. 15, 2015 (DE) 40 2015 100 952

(57) **CLAIM**

I claim the ornamental design for a monocular, as shown and described.

(51) **LOC (10) Cl.** **16-06**

DESCRIPTION

(52) **U.S. Cl.**

USPC **D16/130**; D16/132

(58) **Field of Classification Search**

USPC D16/130, 132, 134, 136, 137, 219, 235, D16/237

CPC G02B 21/362; G02B 23/00; G02B 23/16

See application file for complete search history.

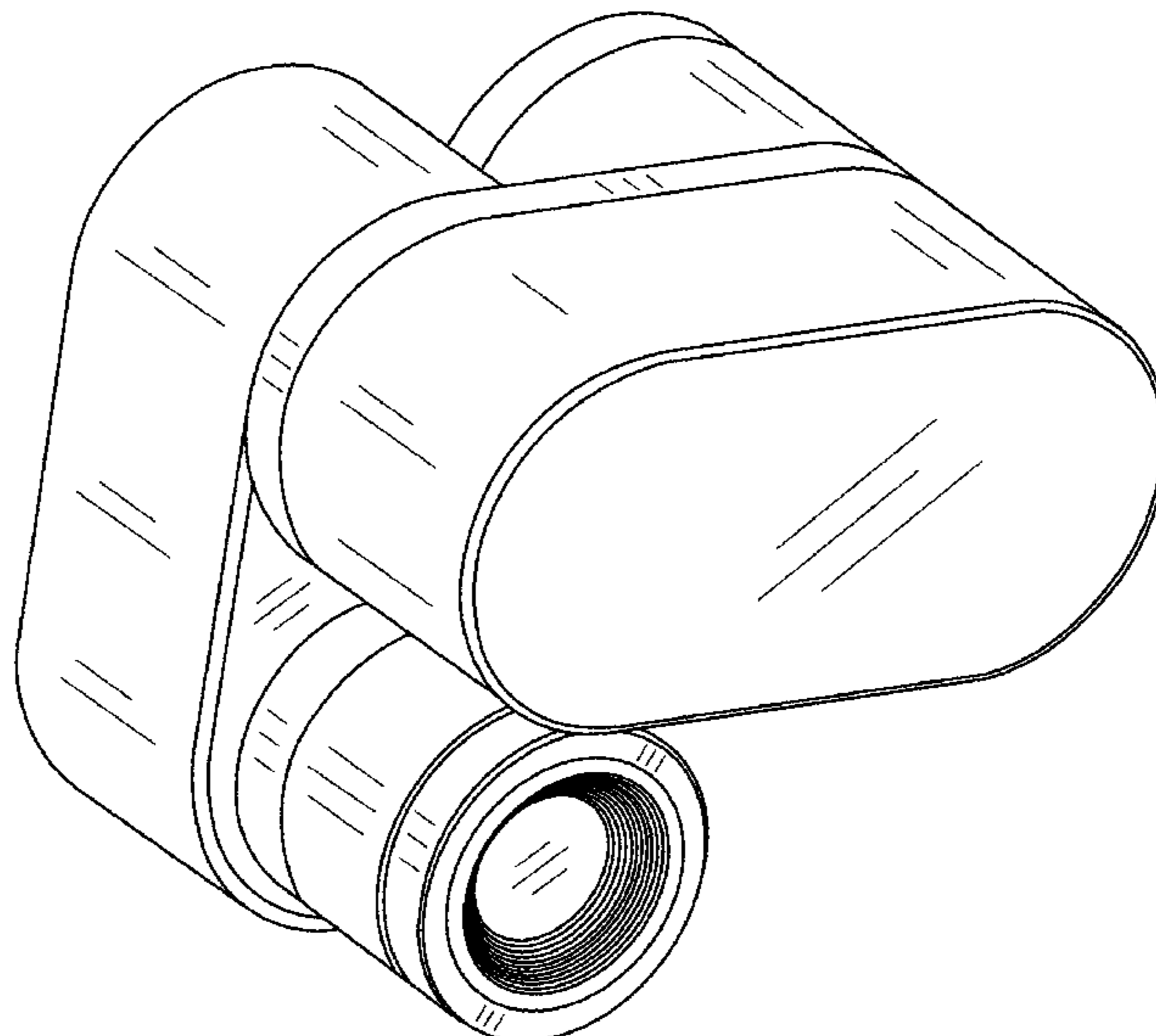
(56) **References Cited**

U.S. PATENT DOCUMENTS

872,120 A * 11/1907 Gray G02B 23/00
359/399
D202,820 S * 11/1965 Maguire D16/132
D248,860 S * 8/1978 Spranger D16/132
D347,441 S * 5/1994 Lutter D16/132
D380,222 S * 6/1997 Bryant D16/132
D490,097 S * 5/2004 Regan D16/132
D512,449 S * 12/2005 Regan D16/132
D528,574 S * 9/2006 Koinuma D16/132
D532,803 S * 11/2006 Regan D16/132

FIG. 1 is an upper perspective view of a first embodiment of the monocular in a first position;
FIG. 2 is a lower perspective view of the monocular shown in FIG. 1;
FIG. 3 is a front elevation view of the monocular shown in FIG. 1;
FIG. 4 is a left side view of the monocular shown in FIG. 1;
FIG. 5 is a rear elevation view of the monocular shown in FIG. 1;
FIG. 6 is a top plan view of the monocular shown in FIG. 1;
FIG. 7 is an upper perspective view of the monocular shown in FIG. 1 in a second position;
FIG. 8 is a front elevation view of the monocular shown in FIG. 7;
FIG. 9 is a left side view of the monocular shown in FIG. 7; and,
FIG. 10 is a top plan view of the monocular shown in FIG. 7.

1 Claim, 10 Drawing Sheets



(56)

References Cited

U.S. PATENT DOCUMENTS

D716,858 S * 11/2014 Kobayashi D16/132
D724,129 S * 3/2015 Marsiglia D16/132
2004/0212878 A1* 10/2004 Regan G02B 7/04
359/402

OTHER PUBLICATIONS

MCN ZOMZ 7x25 Folding Prism Monocular, online auction listing,
Retrieved Nov. 22, 2016 from <URL: [http://picclick.co.uk/
%D0%D0%A1%D0%9F-ZOMZ-7x25-FOLDING-PRISM-MON-
OCULAR-152185889422.html](http://picclick.co.uk/%D0%D0%A1%D0%9F-ZOMZ-7x25-FOLDING-PRISM-MON-OCULAR-152185889422.html) >.*

* cited by examiner

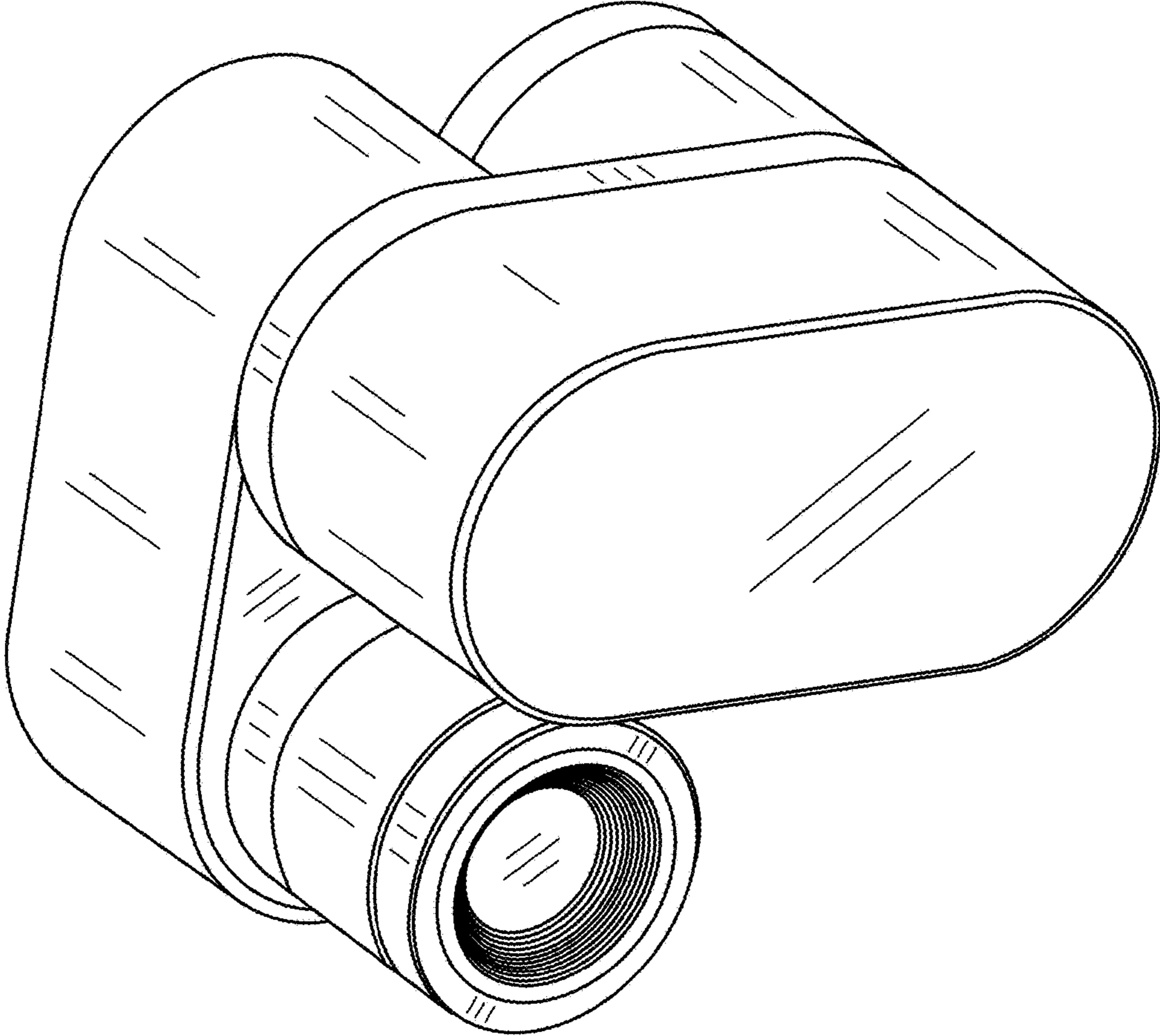


FIG. 1

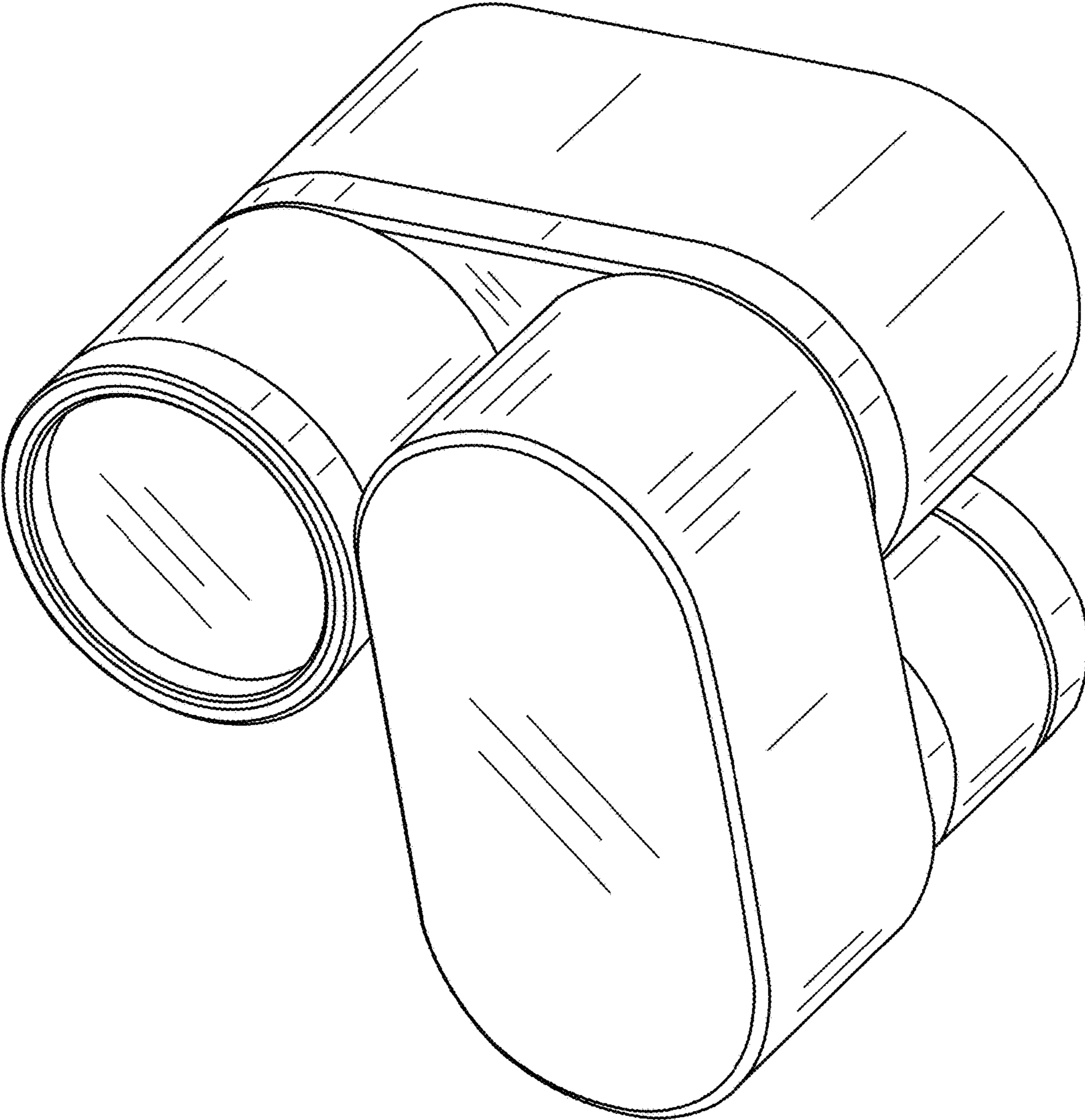


FIG. 2

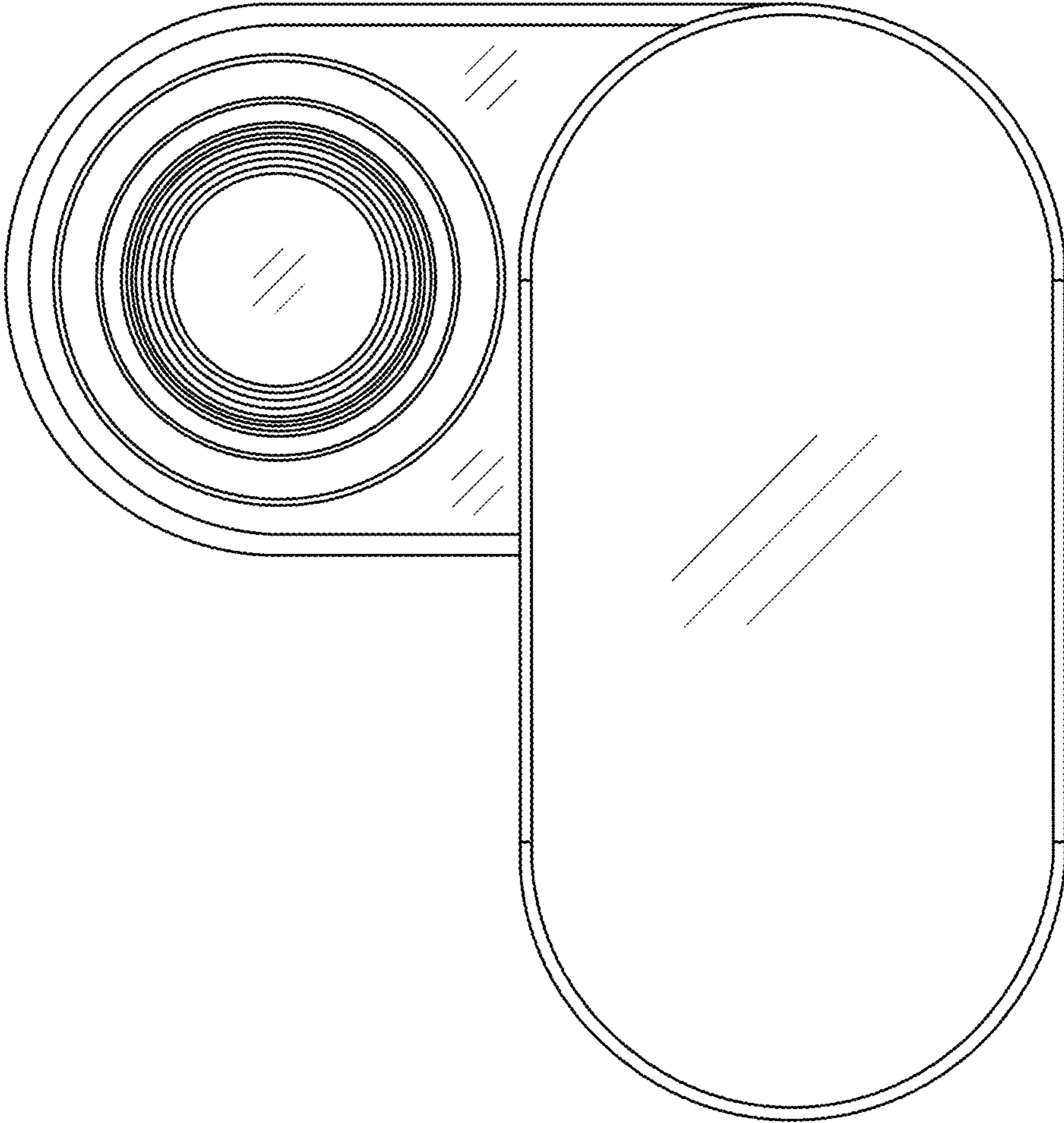
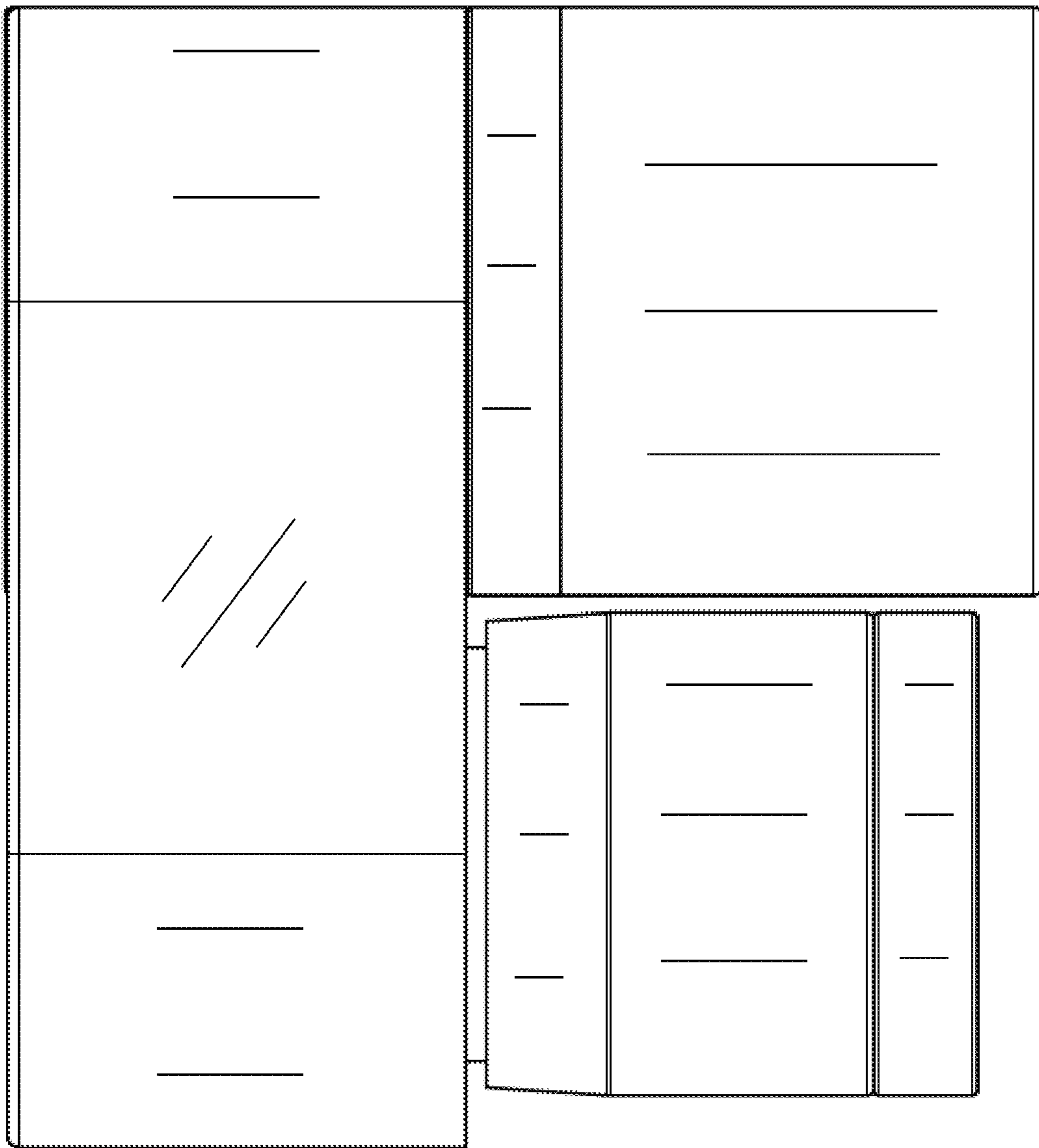


FIG. 3

FIG. 4



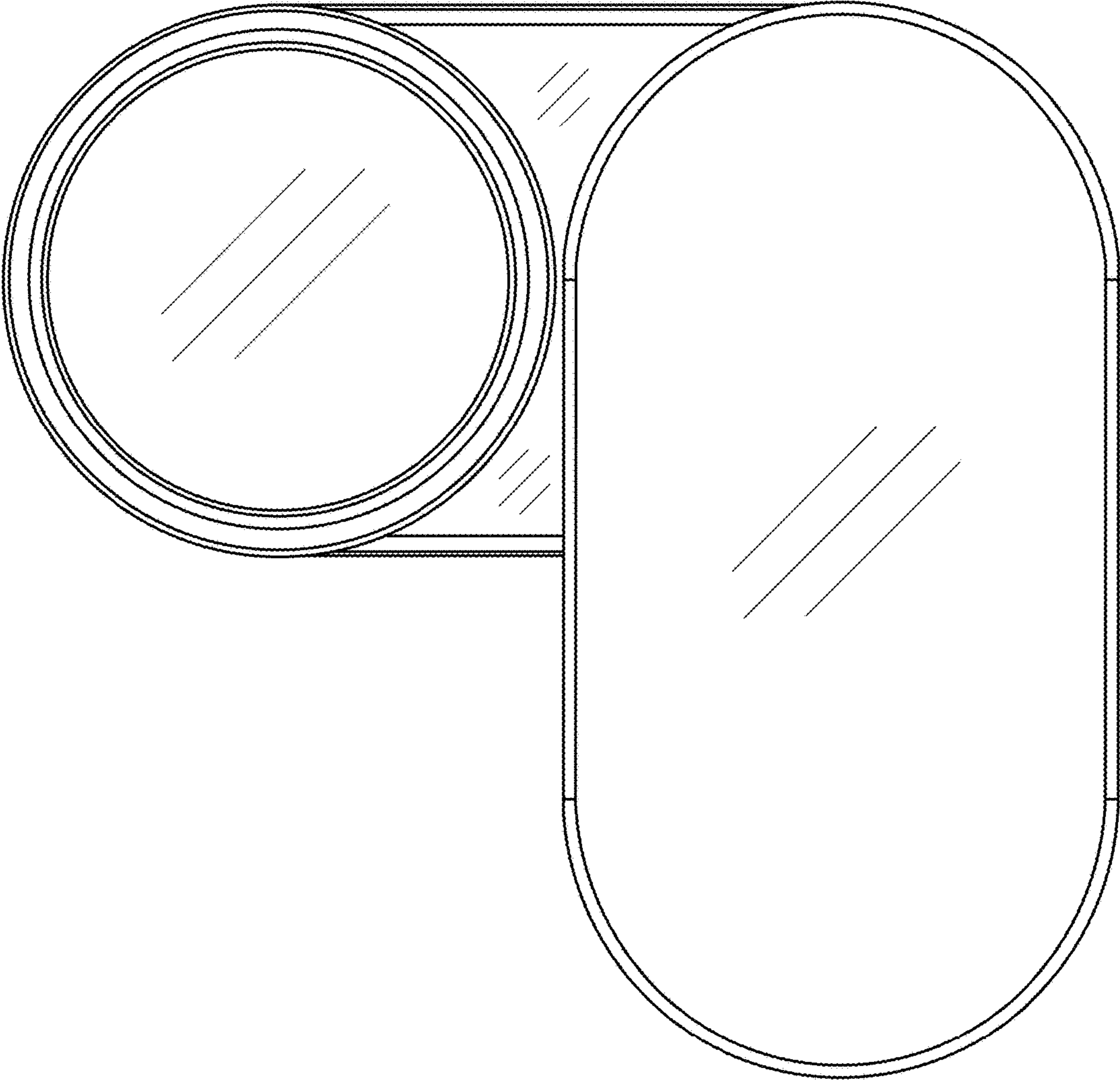
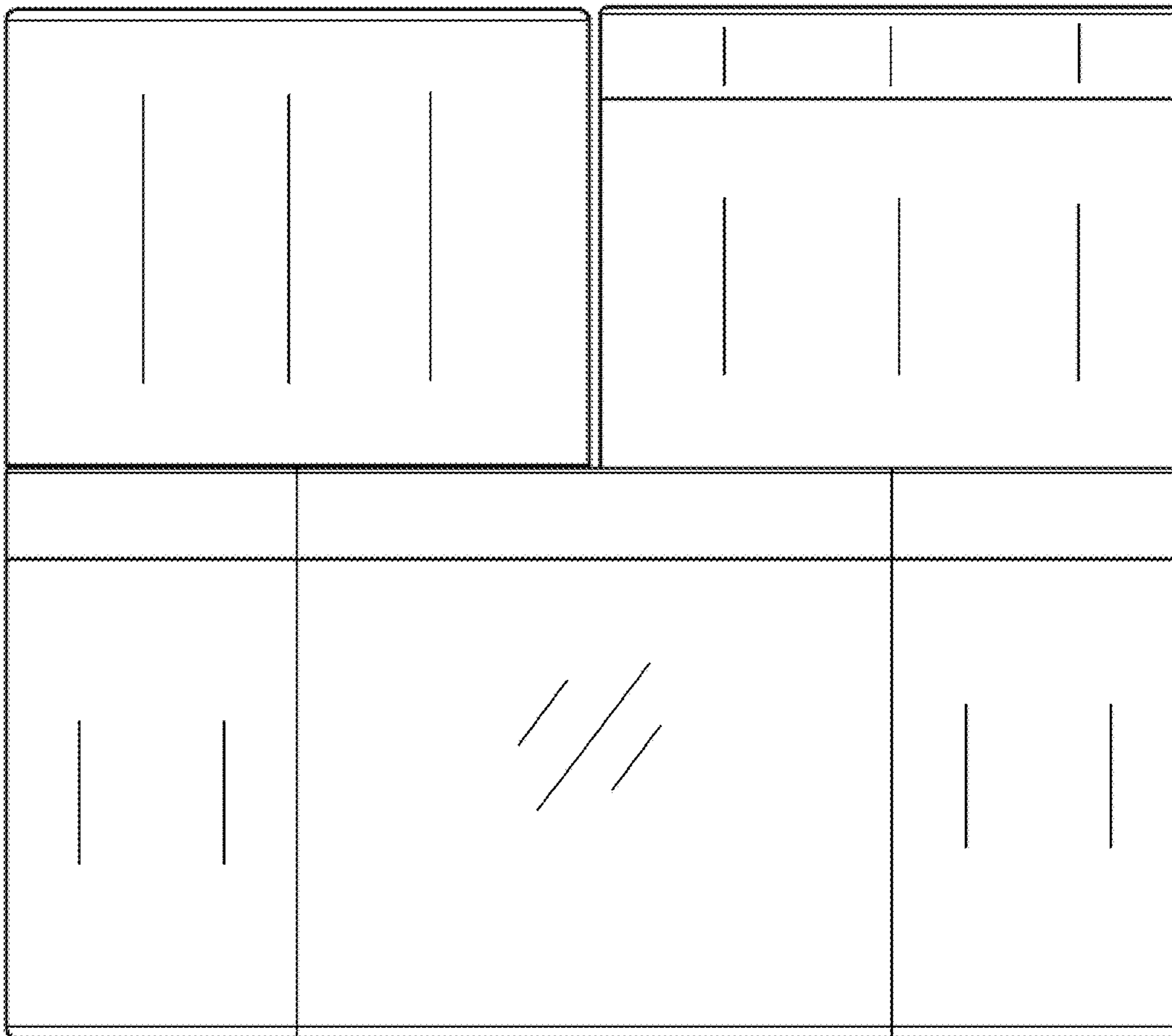


FIG. 5

FIG. 6



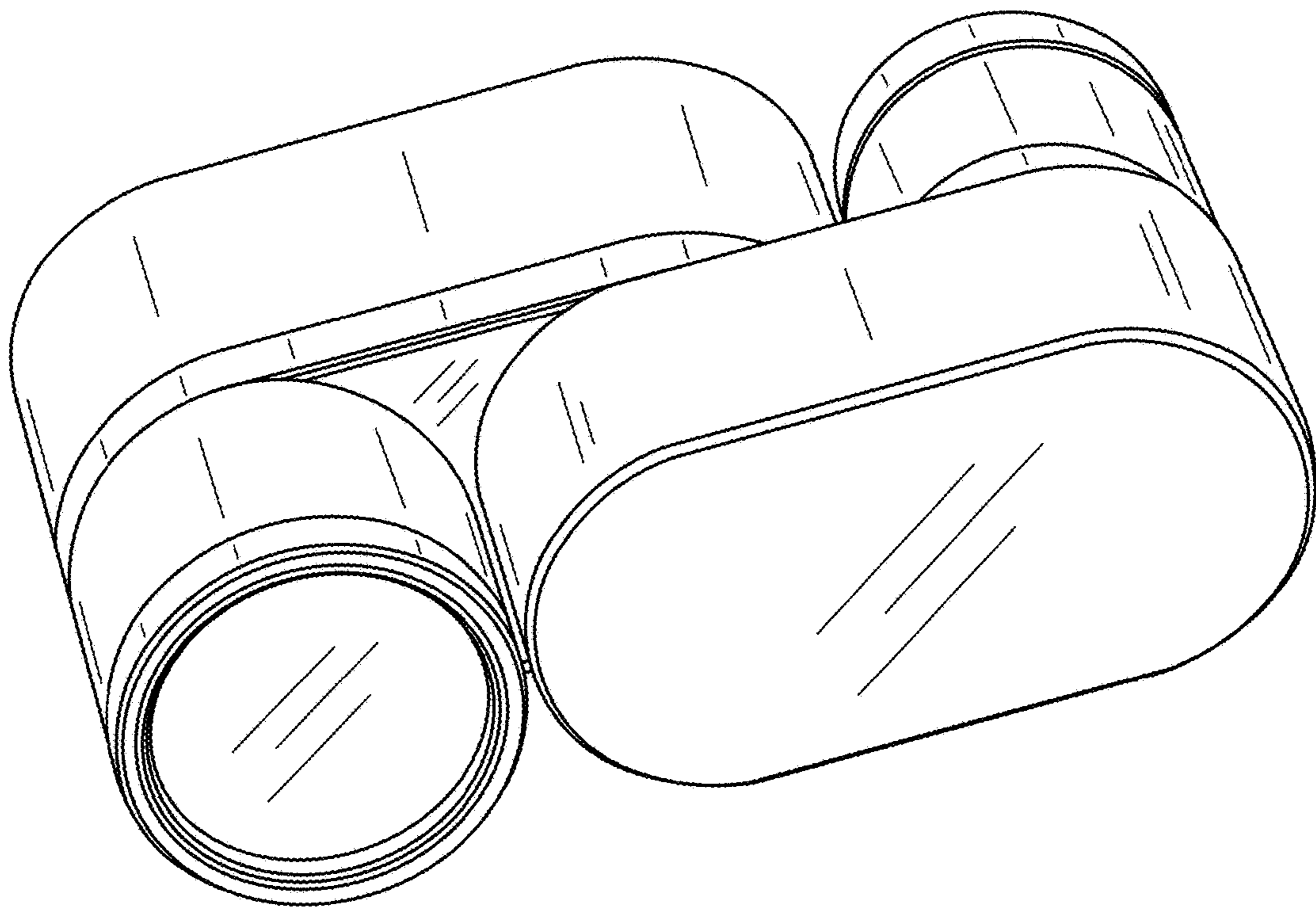


FIG. 7

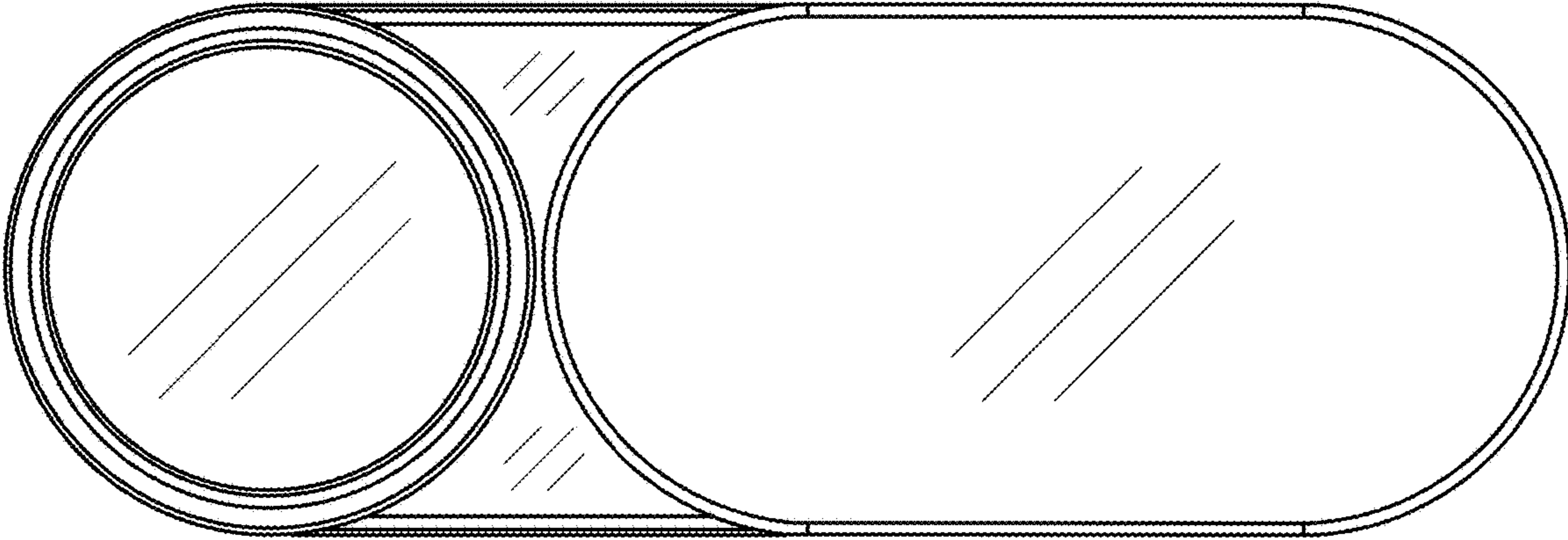


FIG. 8

FIG. 9

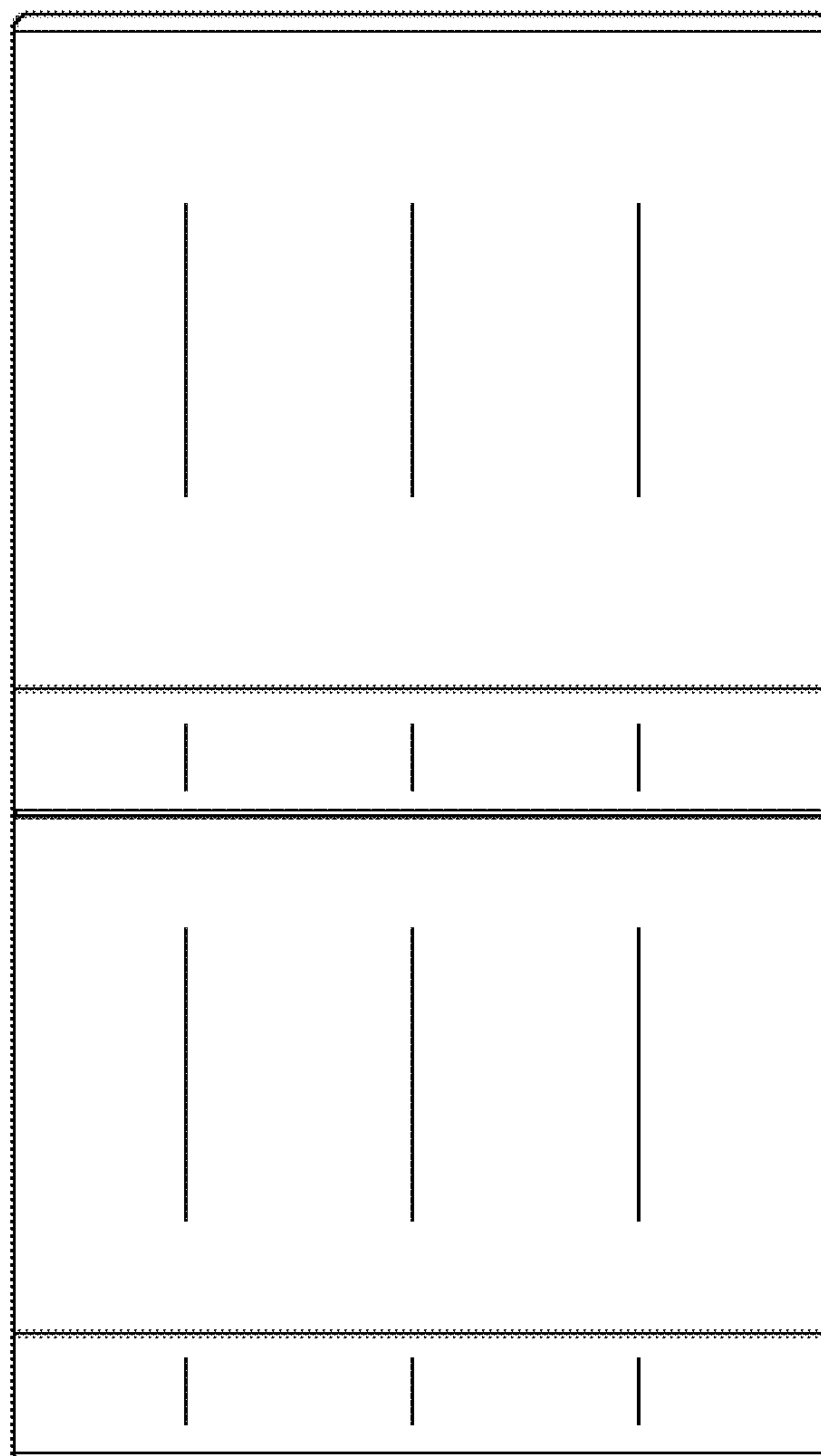


FIG. 10

