



US00D793459S

(12) **United States Design Patent**
Kong et al.

(10) **Patent No.:** **US D793,459 S**

(45) **Date of Patent:** **** Aug. 1, 2017**

(54) **CHIP COVER FOR TIP DRESSER**

11/001; B24D 13/14; B24D 13/20; B24D
13/147; B24D 18/0009; Y10S 451/90

See application file for complete search history.

(71) Applicant: **NAWOO PRECISION & INDUSTRY
CO., LTD.**, Gyeongju-si,
Gyeongsangbuk-do (KR)

(56) **References Cited**

U.S. PATENT DOCUMENTS

(72) Inventors: **Ro-keon Kong**, Ulsan (KR); **Jung-won
Park**, Ulsan (KR); **Song-Jun Li**, Ulsan
(KR)

3,069,919	A *	12/1962	Schultz, Jr.	F16H 55/44 474/169
D277,486	S *	2/1985	Yanagiura	D15/126
7,131,900	B2 *	11/2006	Chou	B24D 13/14 451/177
7,175,514	B2 *	2/2007	Boyer	B24B 19/226 451/364
D737,873	S *	9/2015	Shinozaki	D15/126
D743,455	S *	11/2015	Shinozaki	D15/126
D743,456	S *	11/2015	Shinozaki	D15/126
D753,736	S *	4/2016	Shinozaki	D15/126
2008/0310932	A1 *	12/2008	McIntyre	B29C 70/80 411/150

(73) Assignee: **NAWOO PRECISION & INDUSTRY
CO., LTD.** (KR)

(**) Term: **15 Years**

(21) Appl. No.: **29/566,155**

(Continued)

(22) Filed: **May 27, 2016**

Primary Examiner — Patricia Palasik

(30) **Foreign Application Priority Data**

(74) *Attorney, Agent, or Firm* — Park & Associates IP,
Law, P.C.

Nov. 30, 2015 (KR) 30-2015-0060497

(51) **LOC (10) Cl.** **15-09**

(57) **CLAIM**

(52) **U.S. Cl.**

The ornamental design for a chip cover for tip dresser, as
shown and described.

USPC **D15/126**

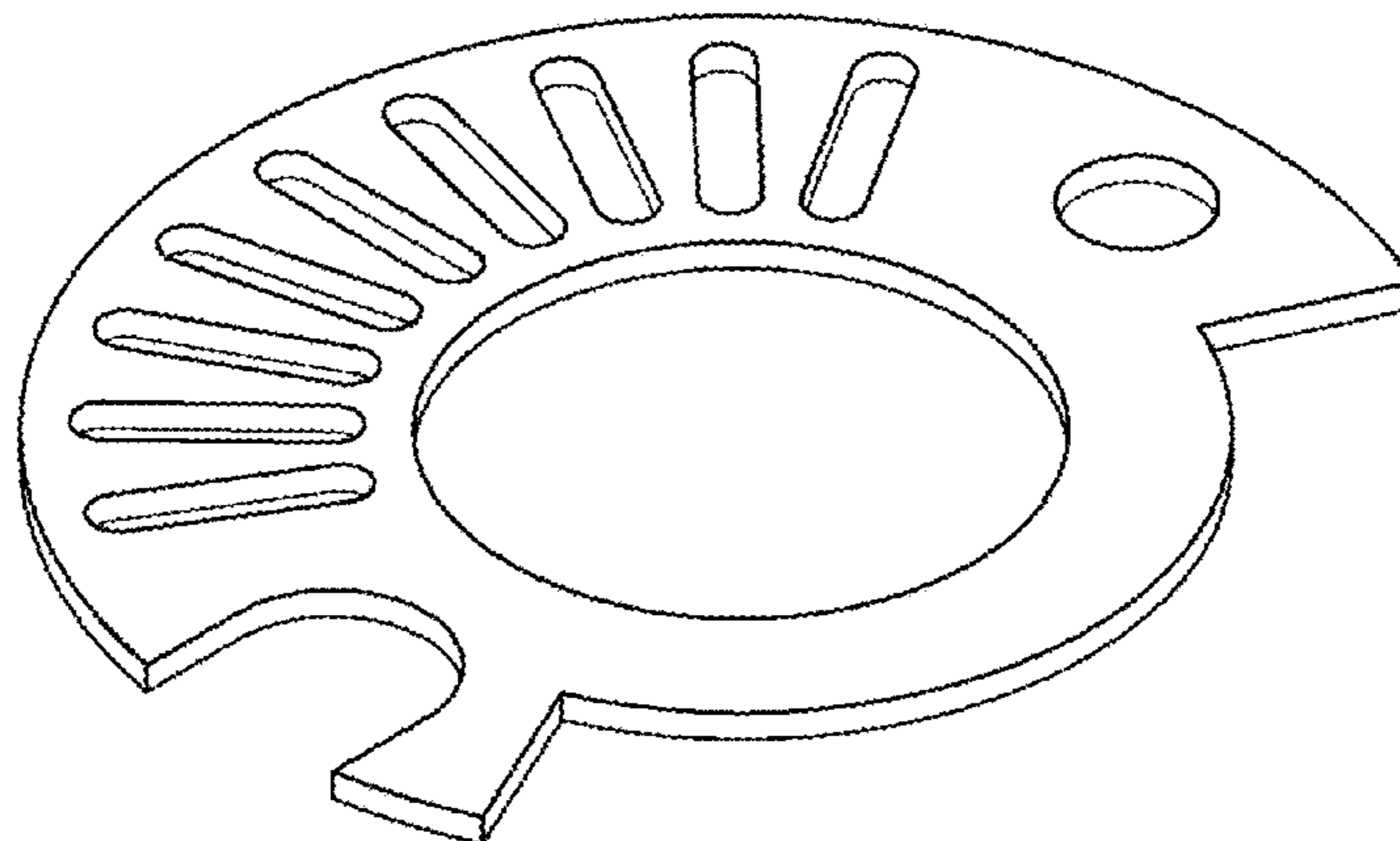
(58) **Field of Classification Search**

DESCRIPTION

USPC D8/1, 2, 3, 25; D14/31, 109, 228;
D15/56 D, 57 D, 58 D, 58 DL, 201;
15/340, 348–350, 88.3, 102, 256.51;
51/7, 41; 144/16; 369/72; 451/2, 59,
451/60, 63, 72, 254, 258–262, 283, 287,
451/290, 291, 359, 446, 451 M, 459, 460
CPC .. B24B 1/00; B24B 7/24; B24B 7/228; B24B
7/241; B24B 13/00; B24B 13/01; B24B
13/02; B24B 13/015; B24B 17/10; B24B
29/00; B24B 41/04; B24B 41/002; B24B
47/12; B24B 51/00; B24D 3/06; B24D
3/28; B24D 3/342; B24D 9/04; B24D

FIG. 1 is a perspective view of a chip cover for tip dresser
in accordance with our new design;
FIG. 2 is a front side elevational view thereof;
FIG. 3 is a rear side elevational view thereof;
FIG. 4 is a left side elevational view thereof;
FIG. 5 is a right side elevational view thereof;
FIG. 6 is a top plan view thereof;
FIG. 7 is a bottom plan view thereof; and,
FIG. 8 is an environmental perspective view illustrating
usage of the chip cover of the present application in asso-

(Continued)



ciation with a tip dresser. The broken lines shown in the drawings are used to show environment that forms no part of the claimed design.

1 Claim, 4 Drawing Sheets

(56)

References Cited

U.S. PATENT DOCUMENTS

2014/0179204 A1* 6/2014 Shinozaki B24B 53/017
451/443
2015/0004886 A1* 1/2015 Hamaura B24B 37/34
451/363

* cited by examiner

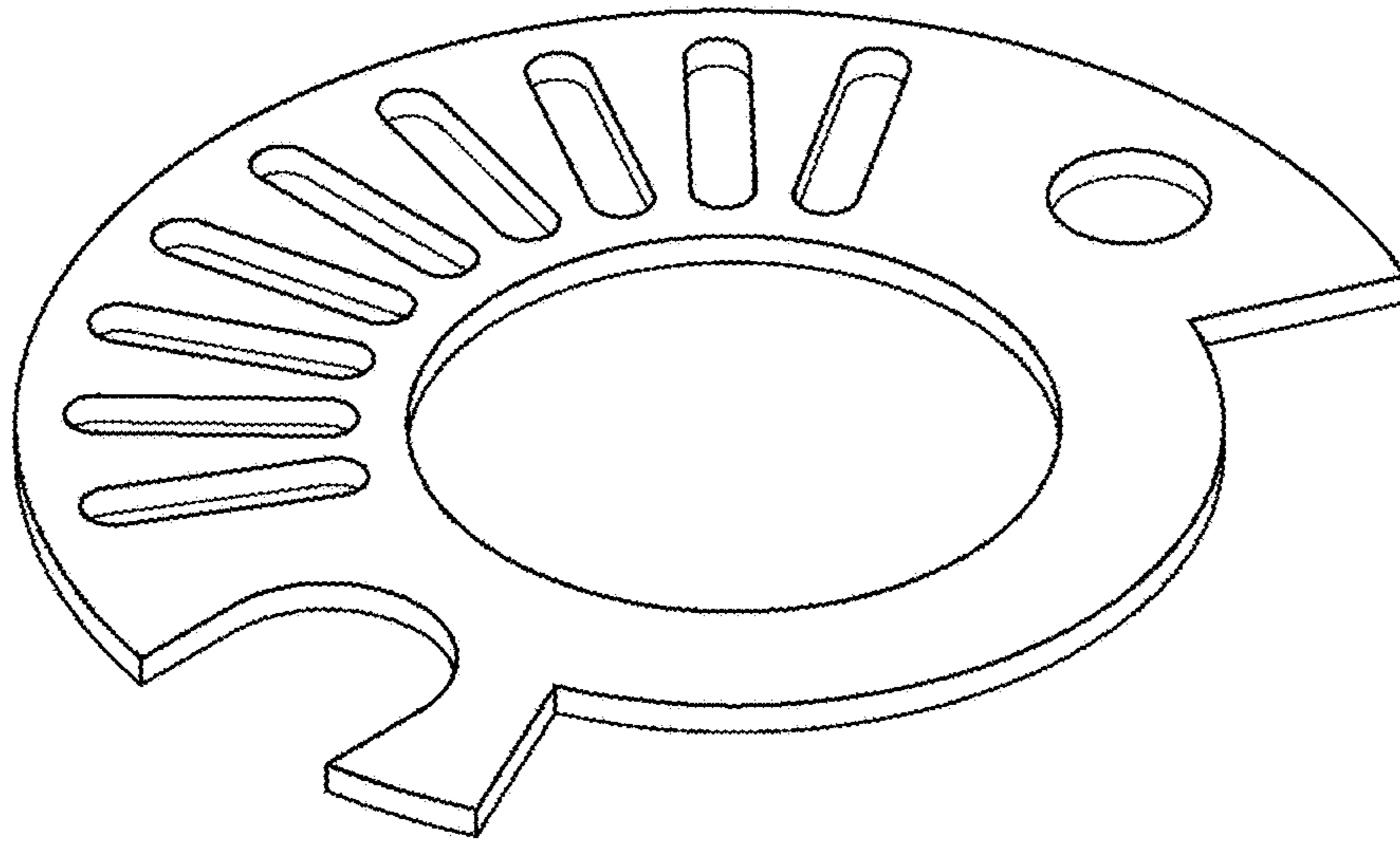


FIG. 1

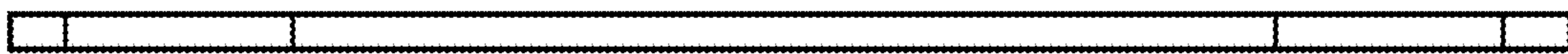


FIG. 2



FIG. 3



FIG. 4



FIG. 5

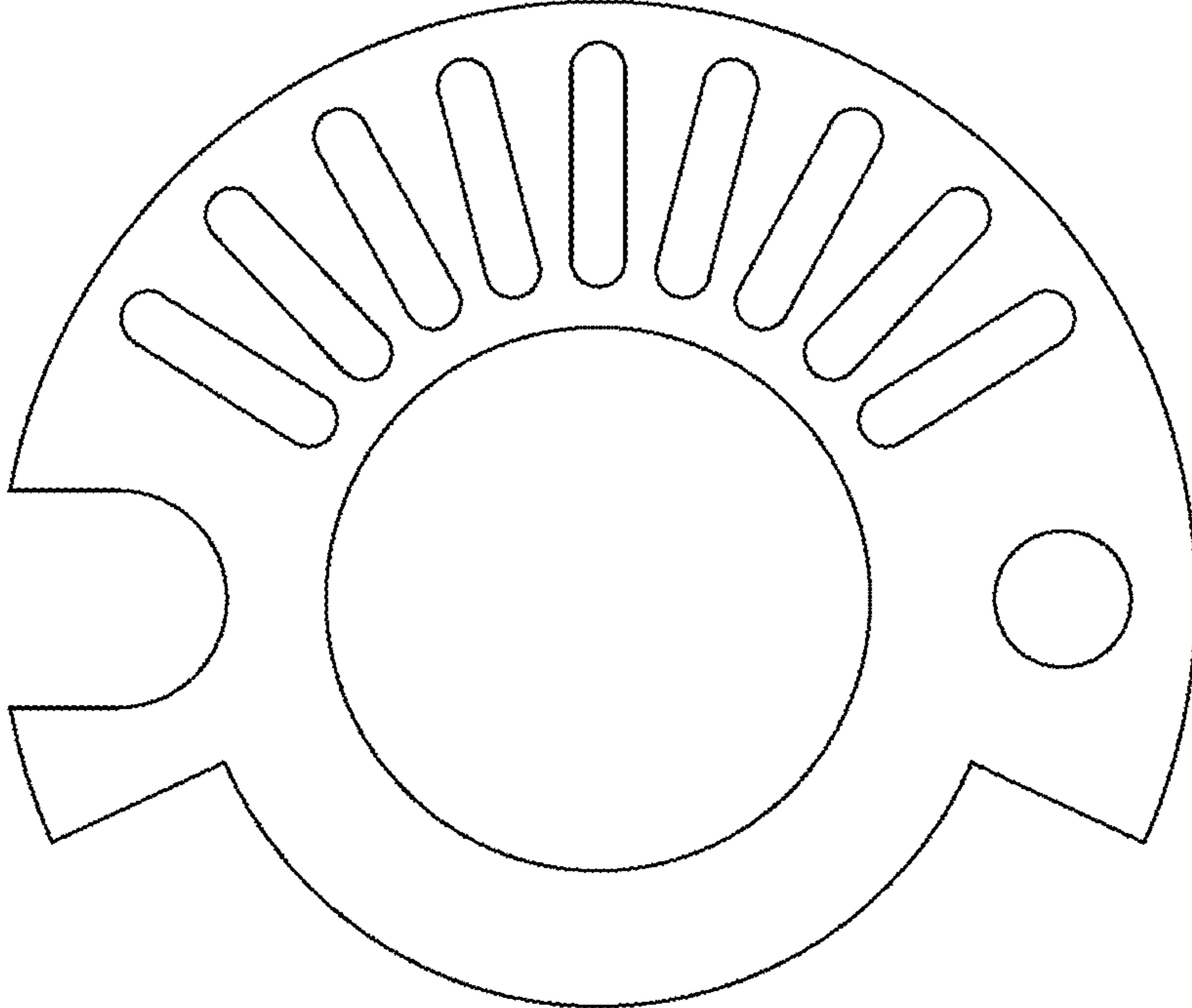


FIG. 6

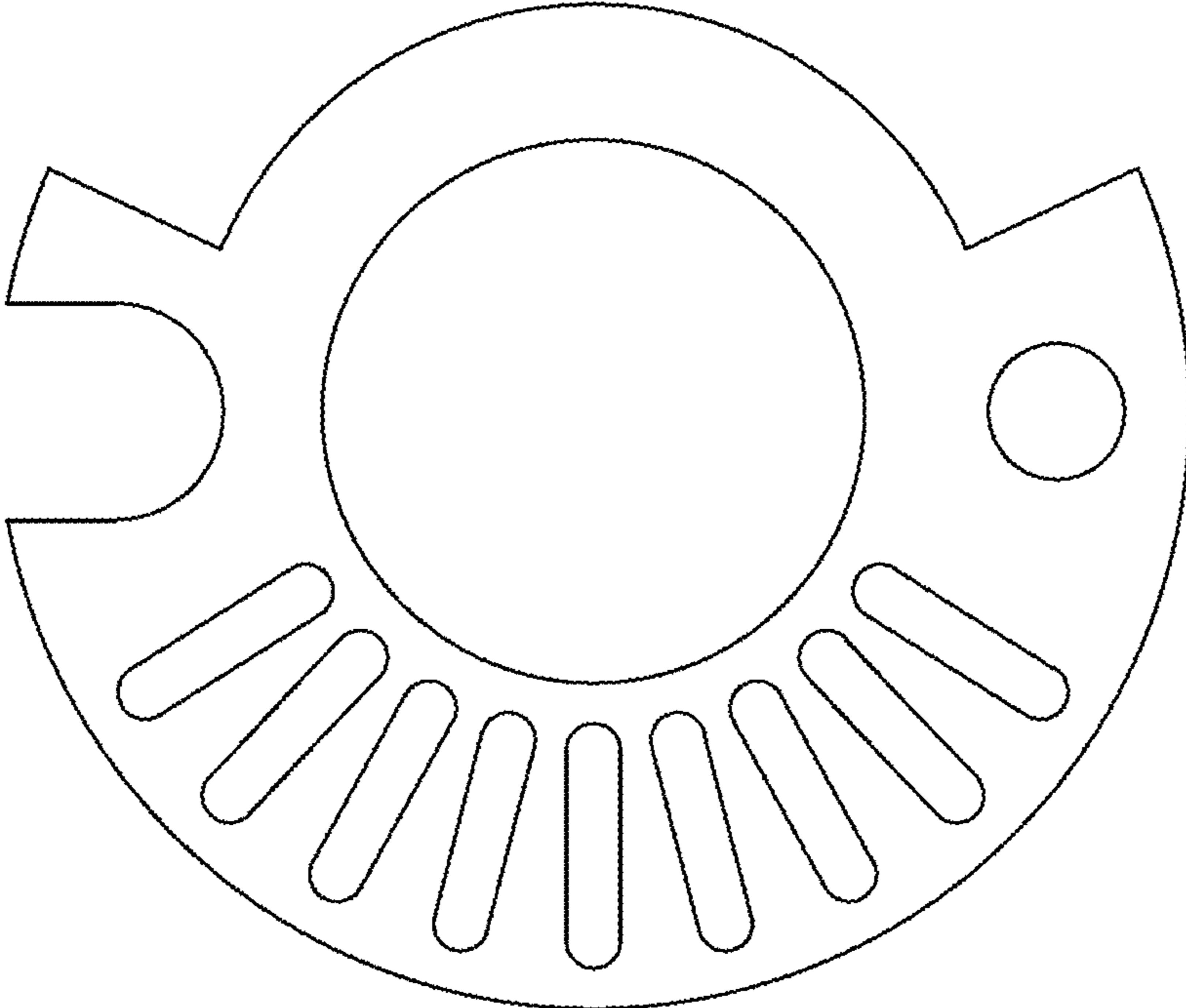


FIG. 7

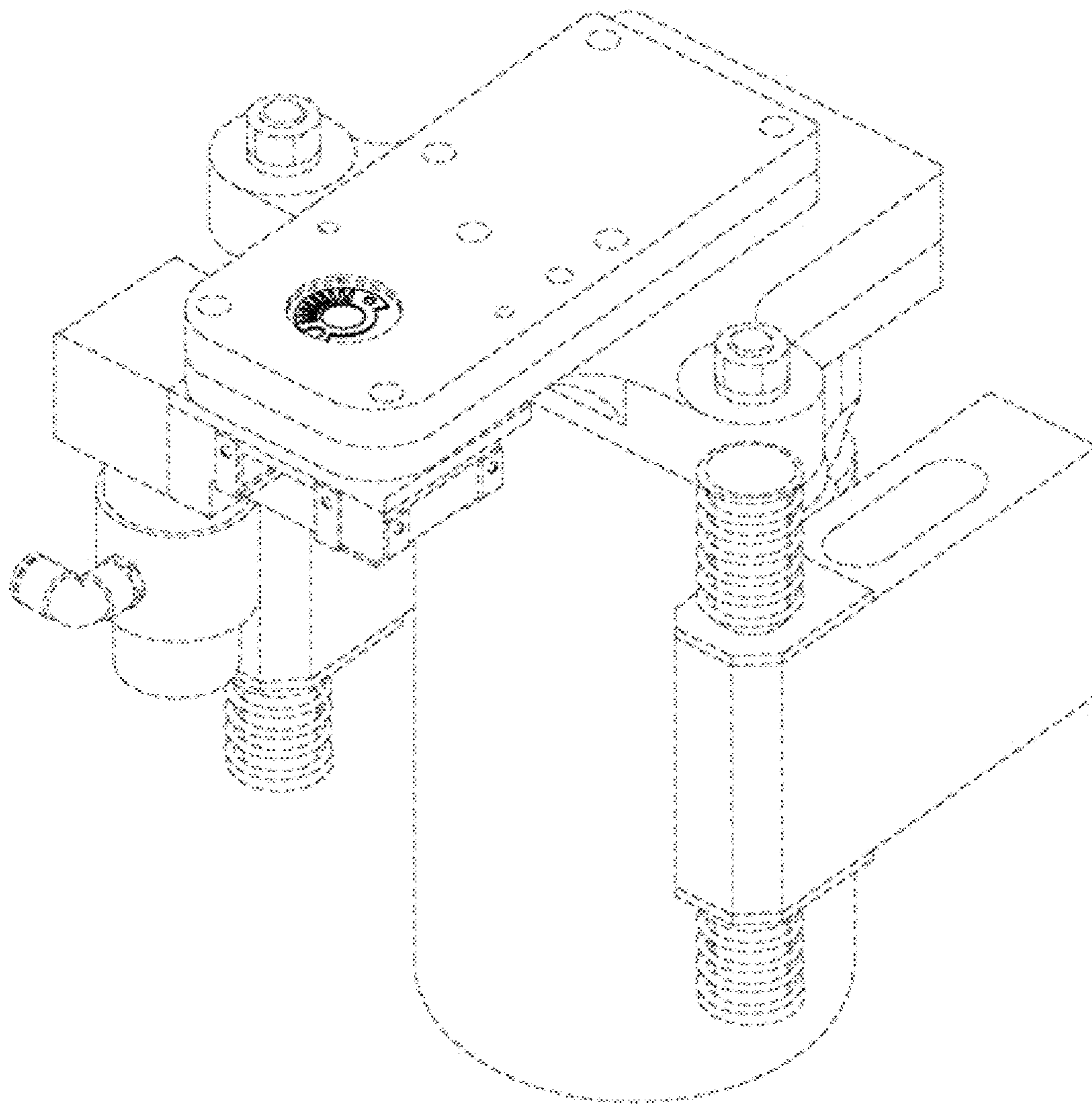


FIG. 8