



US00D793458S

(12) **United States Design Patent**  
**Yoon et al.**

(10) **Patent No.:** **US D793,458 S**

(45) **Date of Patent:** **\*\* Aug. 1, 2017**

(54) **ICE MACHINE FOR REFRIGERATOR**

F25C 2700/12; F25C 2700/14; F25C  
5/12; F25C 5/187

See application file for complete search history.

(71) Applicant: **SAMSUNG ELECTRONICS CO., LTD.**, Suwon-si (KR)

(56) **References Cited**

(72) Inventors: **Se-Lim Yoon**, Seongnam-si (KR);  
**Byeong-Soo Kim**, Seoul (KR); **Hyun-II Lee**, Seoul (KR); **Sang-Woon Jeon**, Seoul (KR)

U.S. PATENT DOCUMENTS

D440,238	S	*	4/2001	Alvring	.....	D15/89
D455,161	S	*	4/2002	Choi	.....	D15/89
D653,684	S	*	2/2012	McDonald	.....	D15/89
D685,012	S	*	6/2013	Meda	.....	D15/89
D719,987	S	*	12/2014	Lee	.....	D15/89
D738,940	S	*	9/2015	Shin	.....	D15/89
D740,862	S	*	10/2015	Park	.....	D15/89
D748,167	S	*	1/2016	Lee	.....	F25D 25/025 D15/89
D749,654	S	*	2/2016	Lee	.....	F25D 23/04 D15/89

(73) Assignee: **Samsung Electronics Co., Ltd.**, Suwon-si (KR)

(\*\*) Term: **15 Years**

(Continued)

(21) Appl. No.: **29/568,865**

FOREIGN PATENT DOCUMENTS

(22) Filed: **Jun. 22, 2016**

KR	30-2002-0024816	9/2003
KR	30-2008-0039462	6/2009

(30) **Foreign Application Priority Data**

(Continued)

Dec. 24, 2015 (KR) ..... 30-2015-0066193

*Primary Examiner* — Ian Simmons  
*Assistant Examiner* — Khawaja Anwar  
(74) *Attorney, Agent, or Firm* — NSIP Law

(51) **LOC (10) Cl.** ..... **15-07**

(52) **U.S. Cl.**  
USPC ..... **D15/80**

(57) **CLAIM**

(58) **Field of Classification Search**

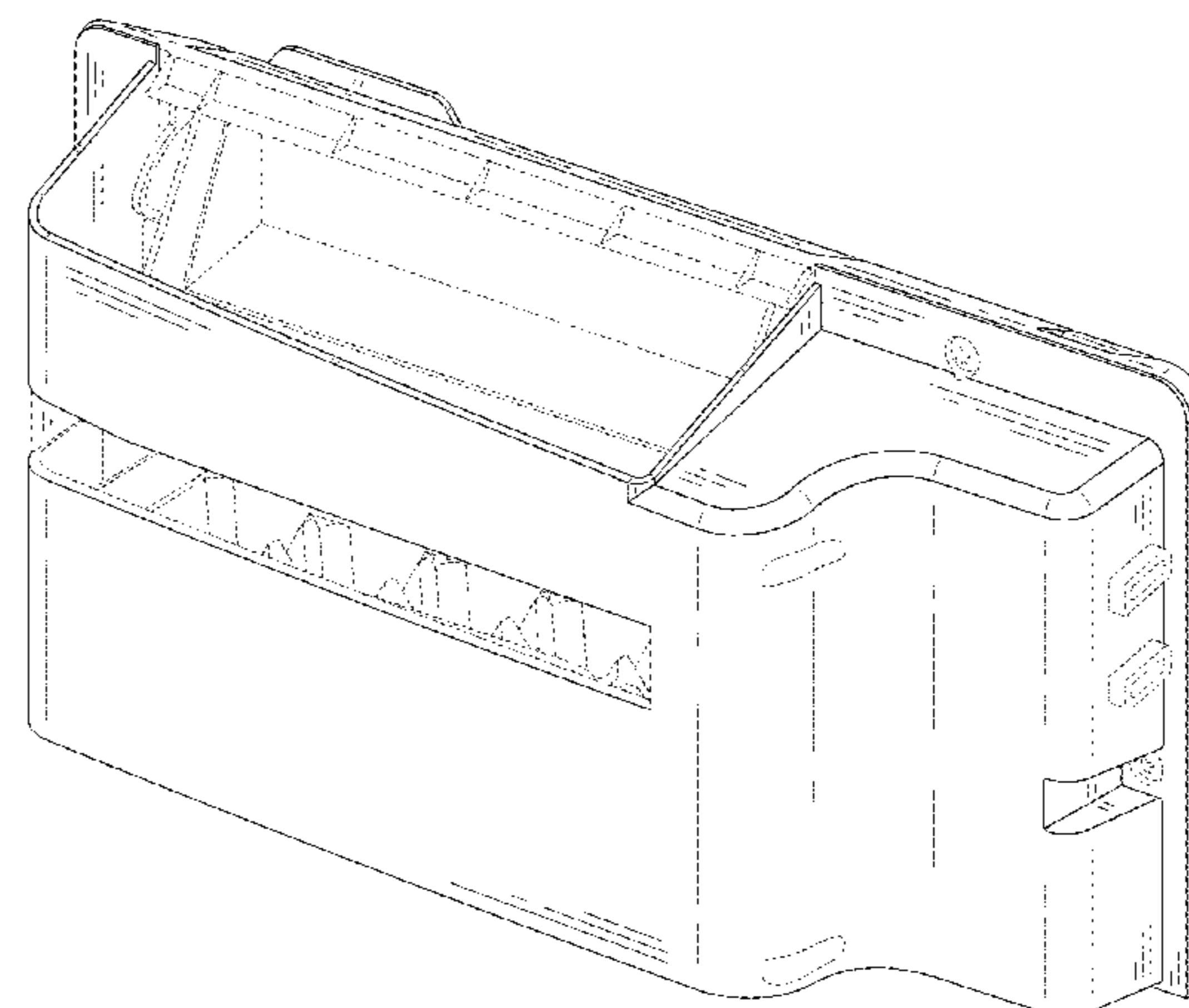
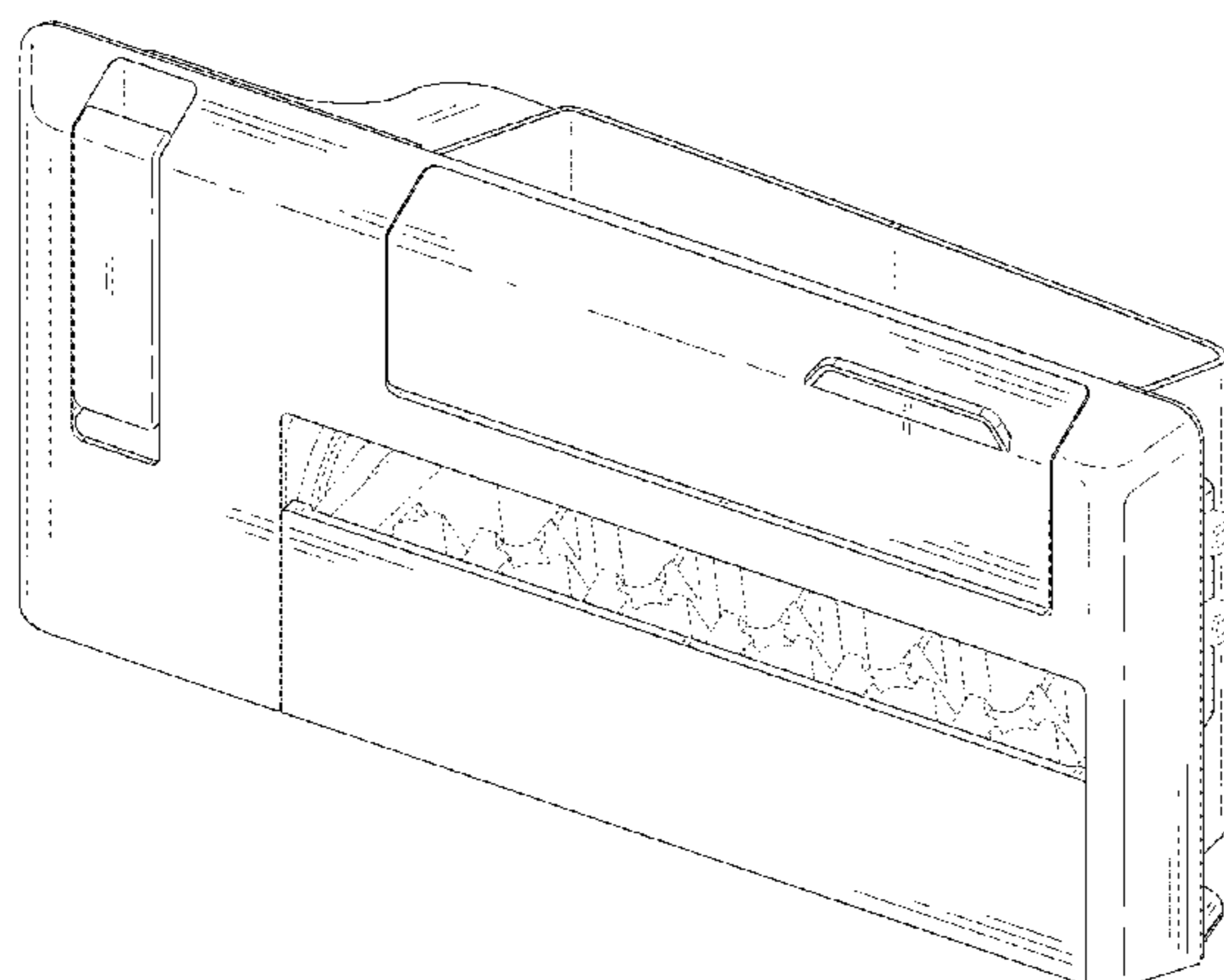
We claim the ornamental design for an ice machine for refrigerator, as shown and described.

USPC ..... D15/79-91  
CPC ..... F25C 5/005; F25C 2400/10; F25C 5/182;  
F25C 1/00; F25C 1/04; F25C 2400/14;  
F25C 5/007; F25C 5/18; F25C 1/10;  
F25C 1/225; F25C 1/12; F25C 2305/022;  
F25C 2400/04; F25C 2500/02; F25C  
5/002; F25C 5/02; F25C 5/046; F25C  
1/20; F25C 2500/06; F25C 1/18; F25C  
2300/00; F25C 2305/00; F25C 2400/06;  
F25C 2400/08; F25C 2400/12; F25C  
2500/00; F25C 2700/04; F25C 2700/10;

**DESCRIPTION**

FIG. 1 is a front perspective view of an ice machine for refrigerator showing our new design;  
FIG. 2 is a front view thereof;  
FIG. 3 is a rear view thereof;  
FIG. 4 is a left-side view thereof;  
FIG. 5 is a right-side view thereof;  
FIG. 6 is a top view thereof;  
FIG. 7 is a bottom view thereof;  
FIG. 8 is a rear perspective view thereof; and,  
FIG. 9 is a bottom perspective view thereof.

(Continued)



The broken lines in the figures depict environmental subject matter and form no part of the claimed design.

**1 Claim, 6 Drawing Sheets**

(56) **References Cited**

U.S. PATENT DOCUMENTS

D765,744 S \* 9/2016 Park ..... D15/89  
D768,212 S \* 10/2016 Lee ..... D15/89

FOREIGN PATENT DOCUMENTS

KR 30-2008-0041469 7/2009  
KR 30-2012-0054236 3/2014  
KR 30-2012-0054236 4/2014

\* cited by examiner

FIG. 1

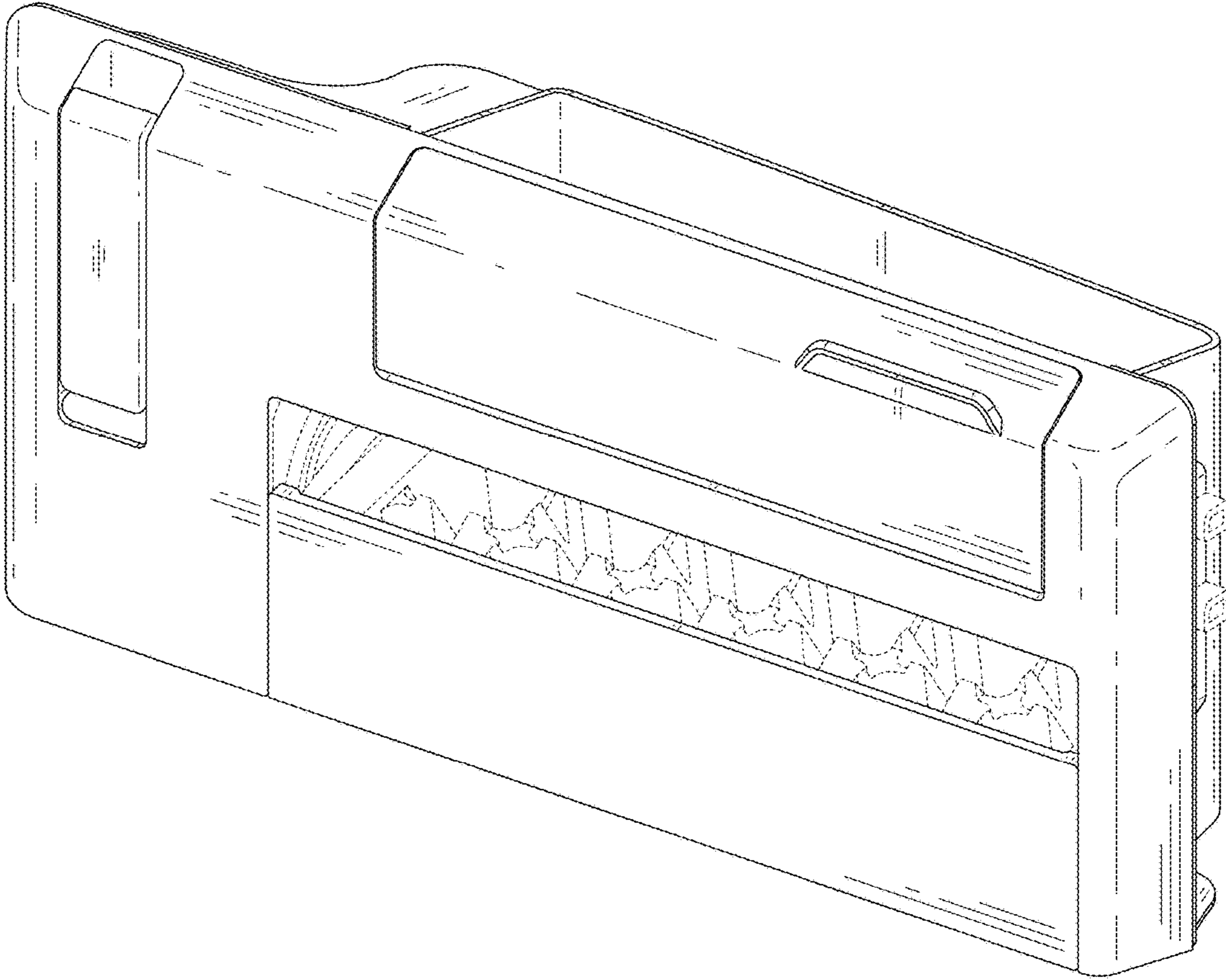


FIG. 2

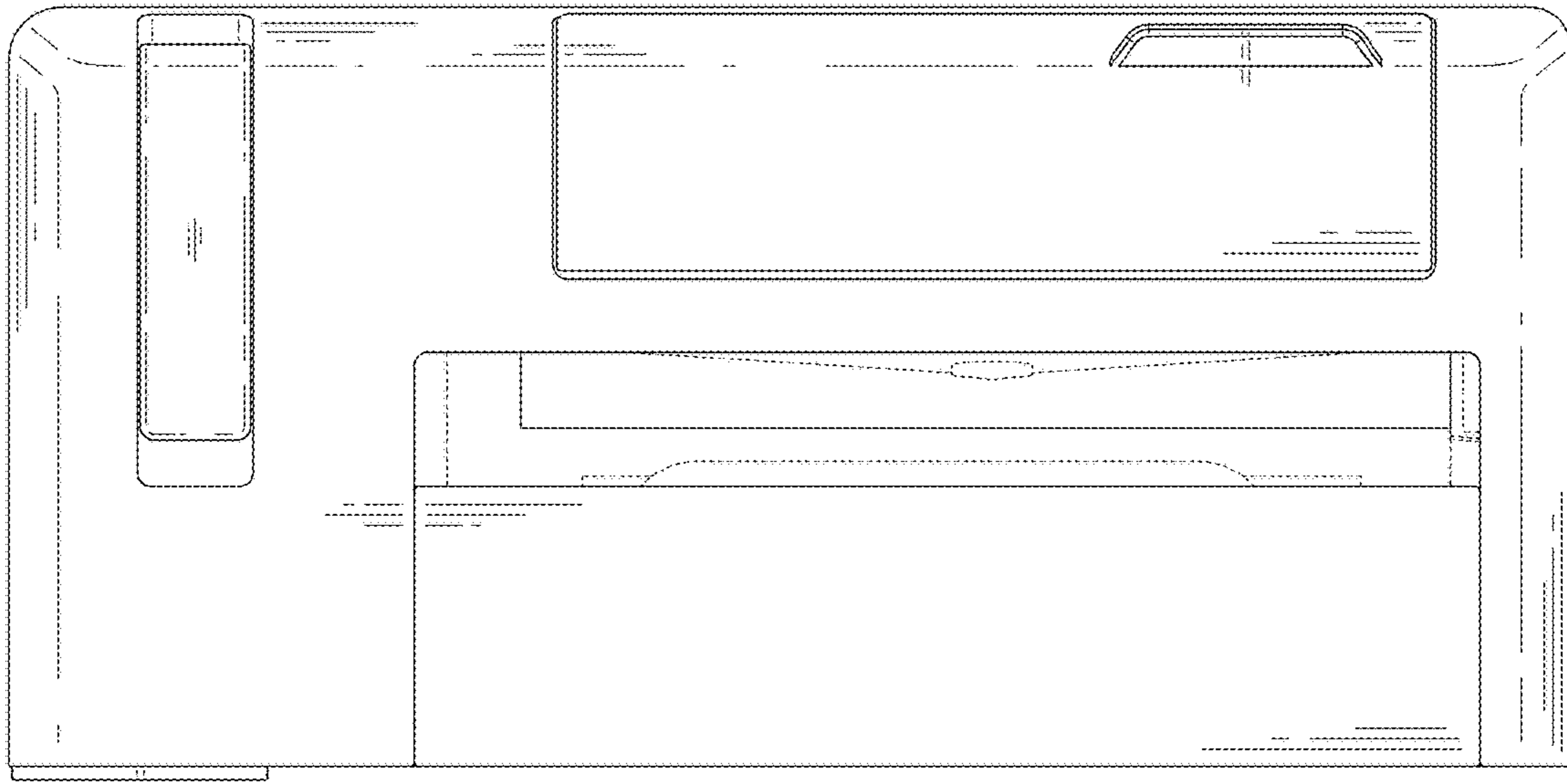


FIG. 3

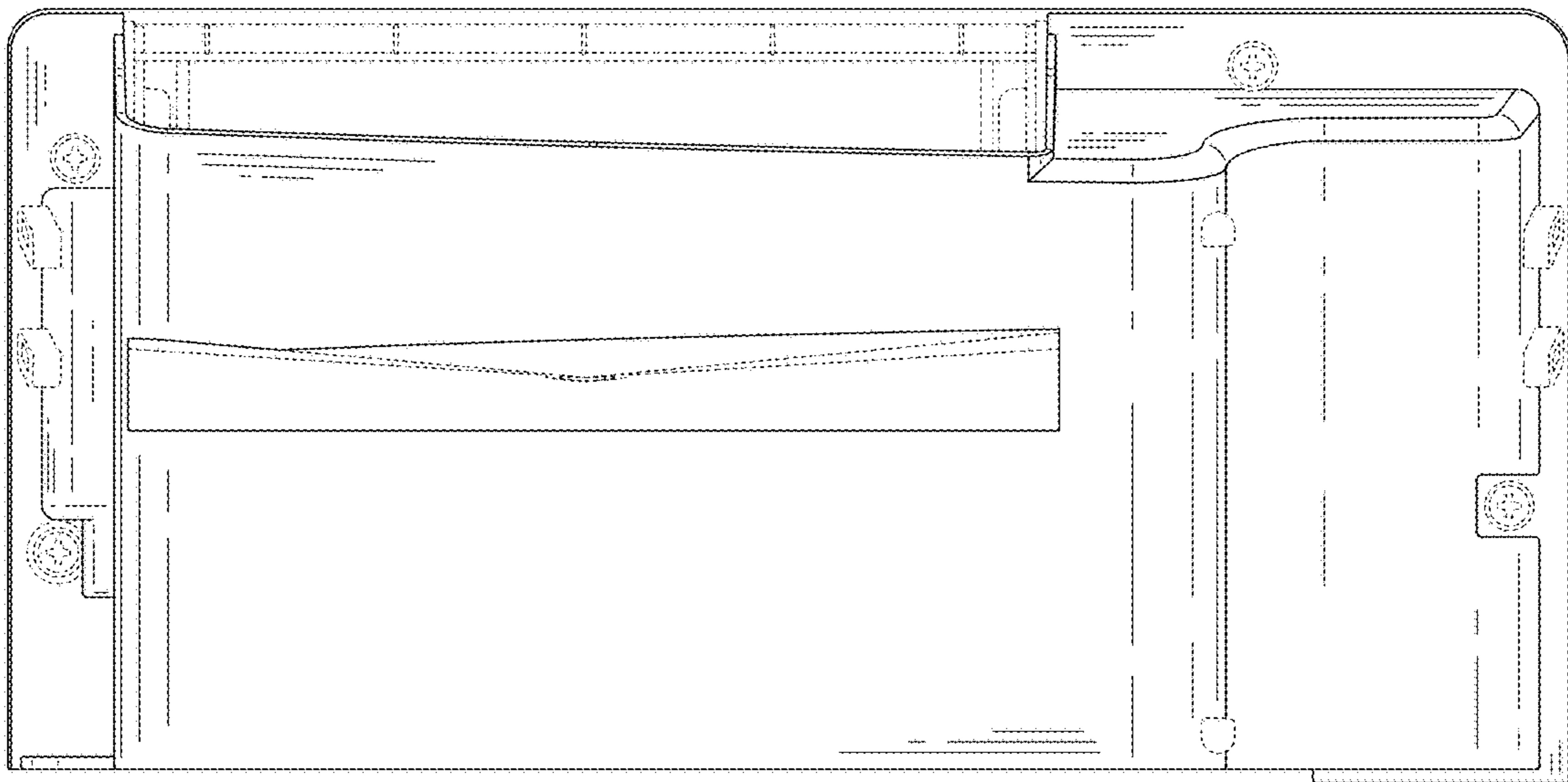


FIG. 4

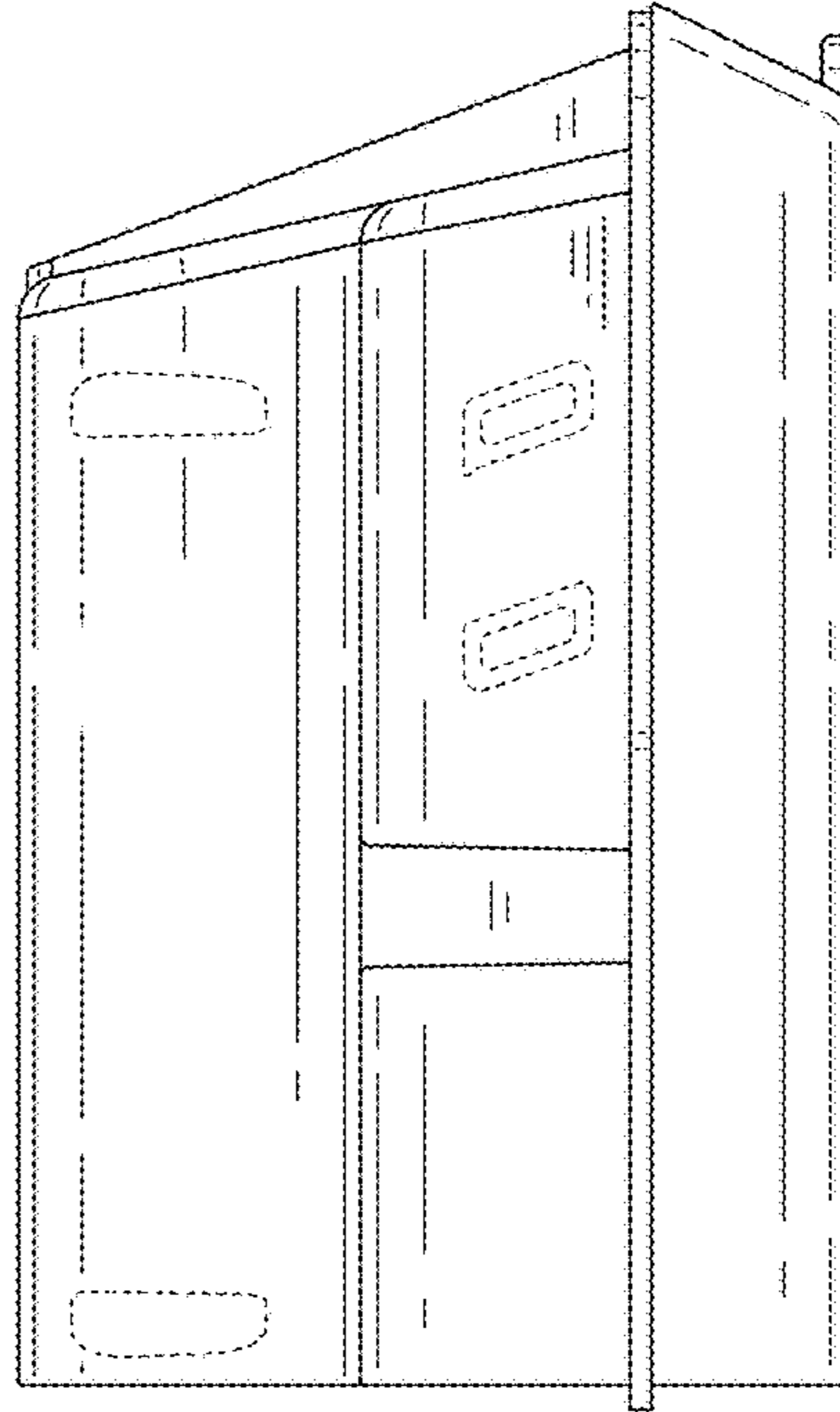


FIG. 5

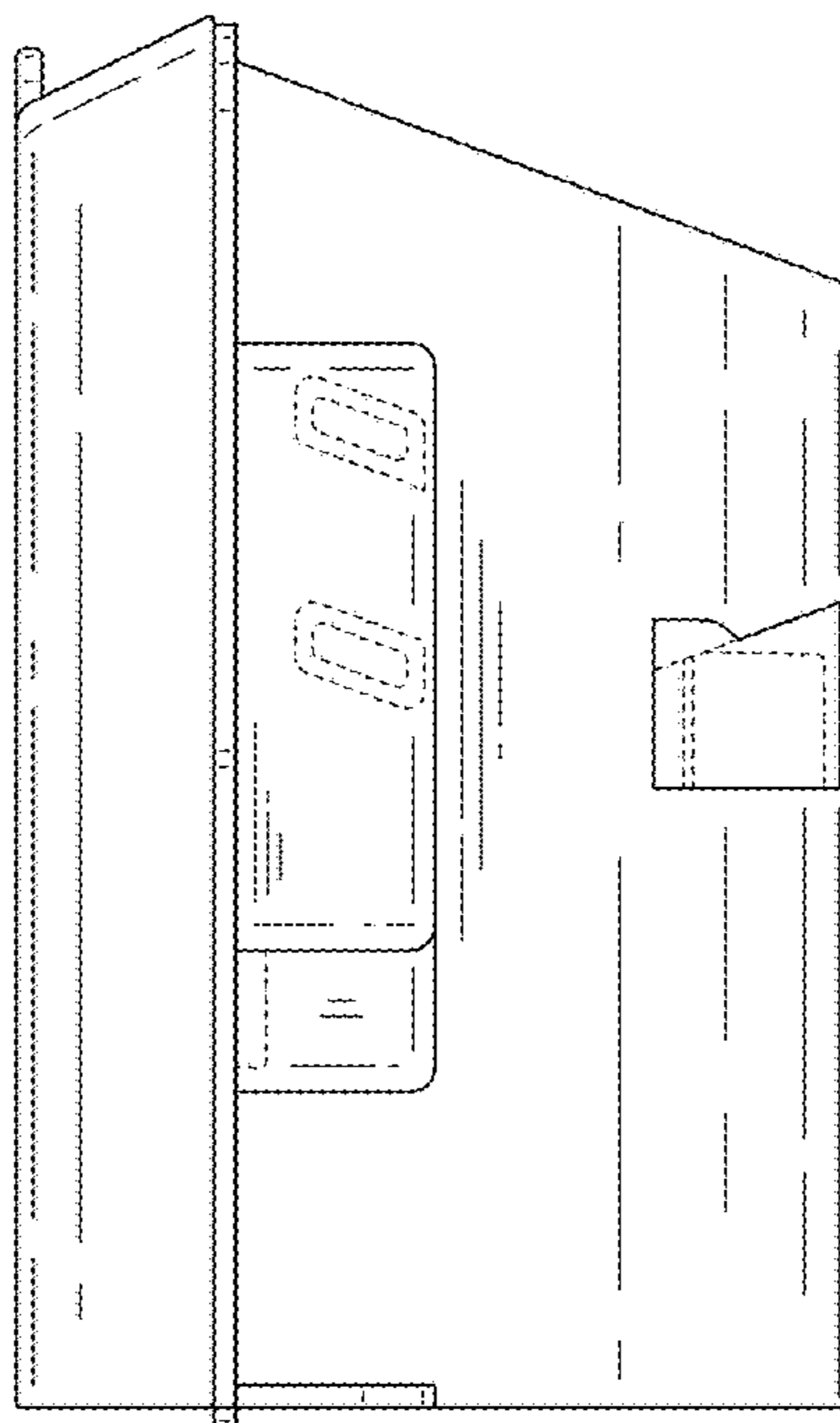


FIG. 6

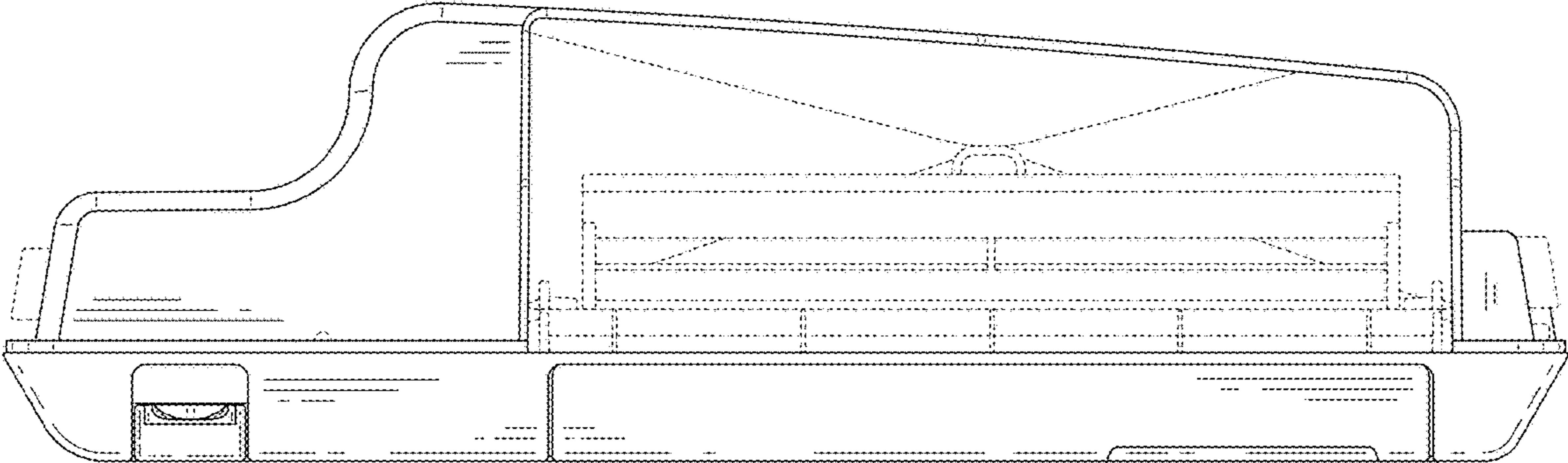


FIG. 7

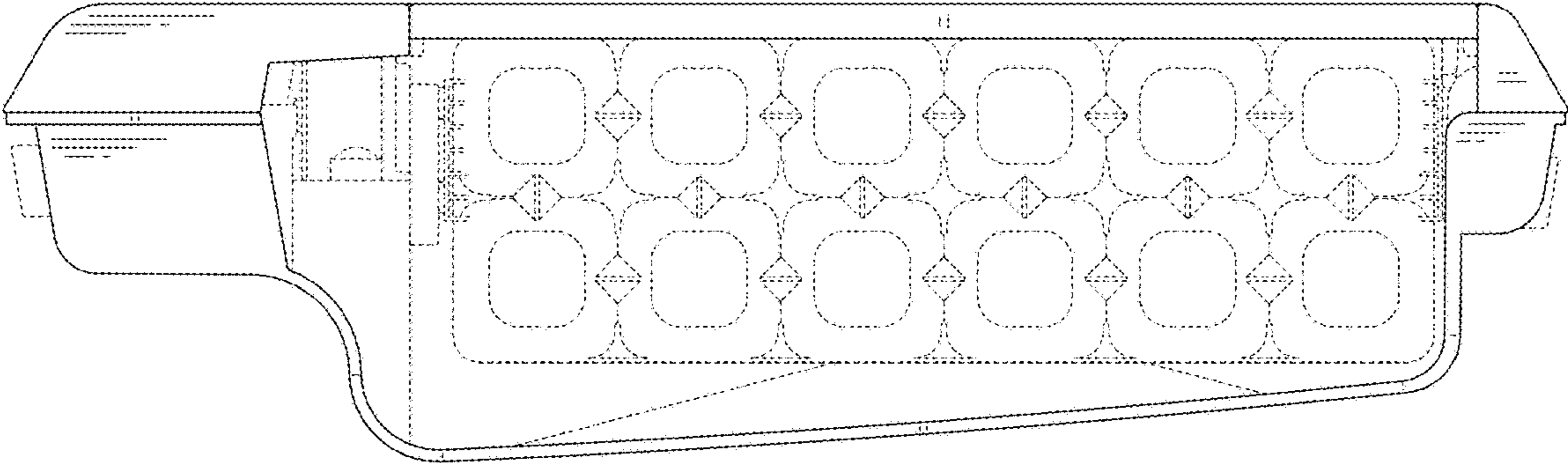


FIG. 8

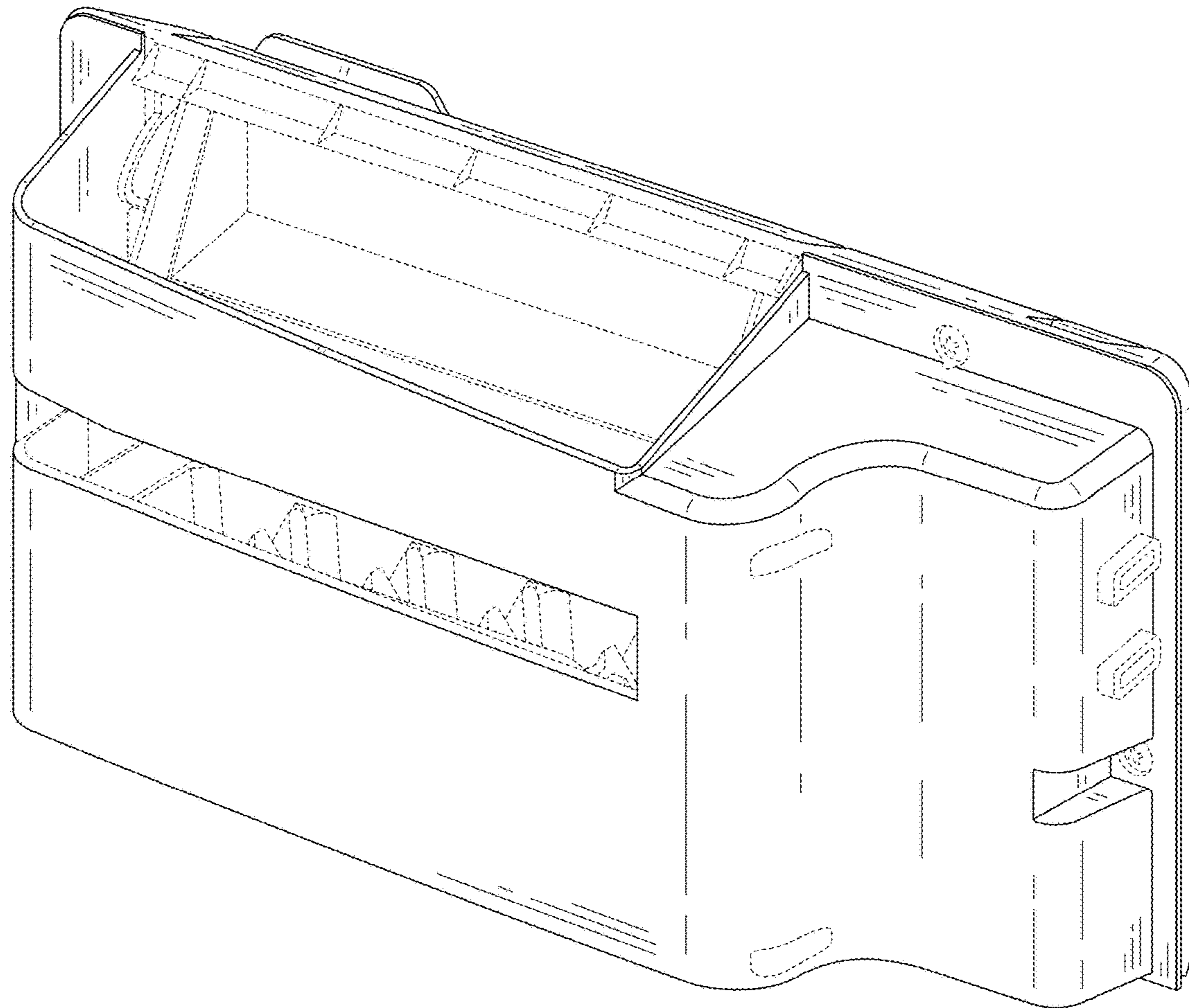


FIG. 9

