



US00D793457S

(12) **United States Design Patent** (10) **Patent No.:** **US D793,457 S**  
**Kim et al.** (45) **Date of Patent:** **\*\* Aug. 1, 2017**

(54) **ELECTRIC APPLIANCE FOR FOOD FERMENTATION**

6,755,243 B2 \* 6/2004 Cho ..... A23B 7/10  
165/288  
D534,189 S \* 12/2006 Ball ..... D15/79  
D551,258 S \* 9/2007 Luzaich ..... D15/79  
D554,936 S \* 11/2007 Kim ..... D7/357  
D567,828 S \* 4/2008 Moran ..... D15/79  
D618,257 S \* 6/2010 Hanamure ..... D15/79  
D672,374 S \* 12/2012 Choi ..... D15/83  
D756,164 S \* 5/2016 Kim ..... D7/368

(71) Applicant: **NUC Electronics Co., Ltd.**, Daegu (KR)

(72) Inventors: **Jong Boo Kim**, Daegu (KR); **In Young Kim**, Daegu (KR)

(73) Assignee: **NUC ELECTRONICS CO., LTD.**, Daegu (KR)

(\*\*) Term: **15 Years**

(21) Appl. No.: **29/552,531**

(22) Filed: **Jan. 22, 2016**

(30) **Foreign Application Priority Data**

Jul. 24, 2015 (KR) ..... 30-2015-0037623

(51) **LOC (10) Cl.** ..... **15-07**

(52) **U.S. Cl.**  
USPC ..... **D15/79**

(58) **Field of Classification Search**  
USPC ..... D15/79-91; D21/523, 524; D7/323, D7/331, 368, 357, 327, 354, 355  
CPC ..... F25D 23/12; F25D 31/005; C12P 7/06; C12P 7/10; C12P 13/04; C12P 13/20; C12P 17/18; C12P 19/14; C12P 21/06; C12P 7/40; C12P 7/46

See application file for complete search history.

(56) **References Cited**

**U.S. PATENT DOCUMENTS**

2,566,865 A \* 9/1951 Wingerter ..... F25D 15/00  
165/46  
D469,787 S \* 2/2003 Wicker ..... D15/79

\* cited by examiner

*Primary Examiner* — Ian Simmons

*Assistant Examiner* — Khawaja Anwar

(74) *Attorney, Agent, or Firm* — Seed IP Law Group LLP

(57) **CLAIM**

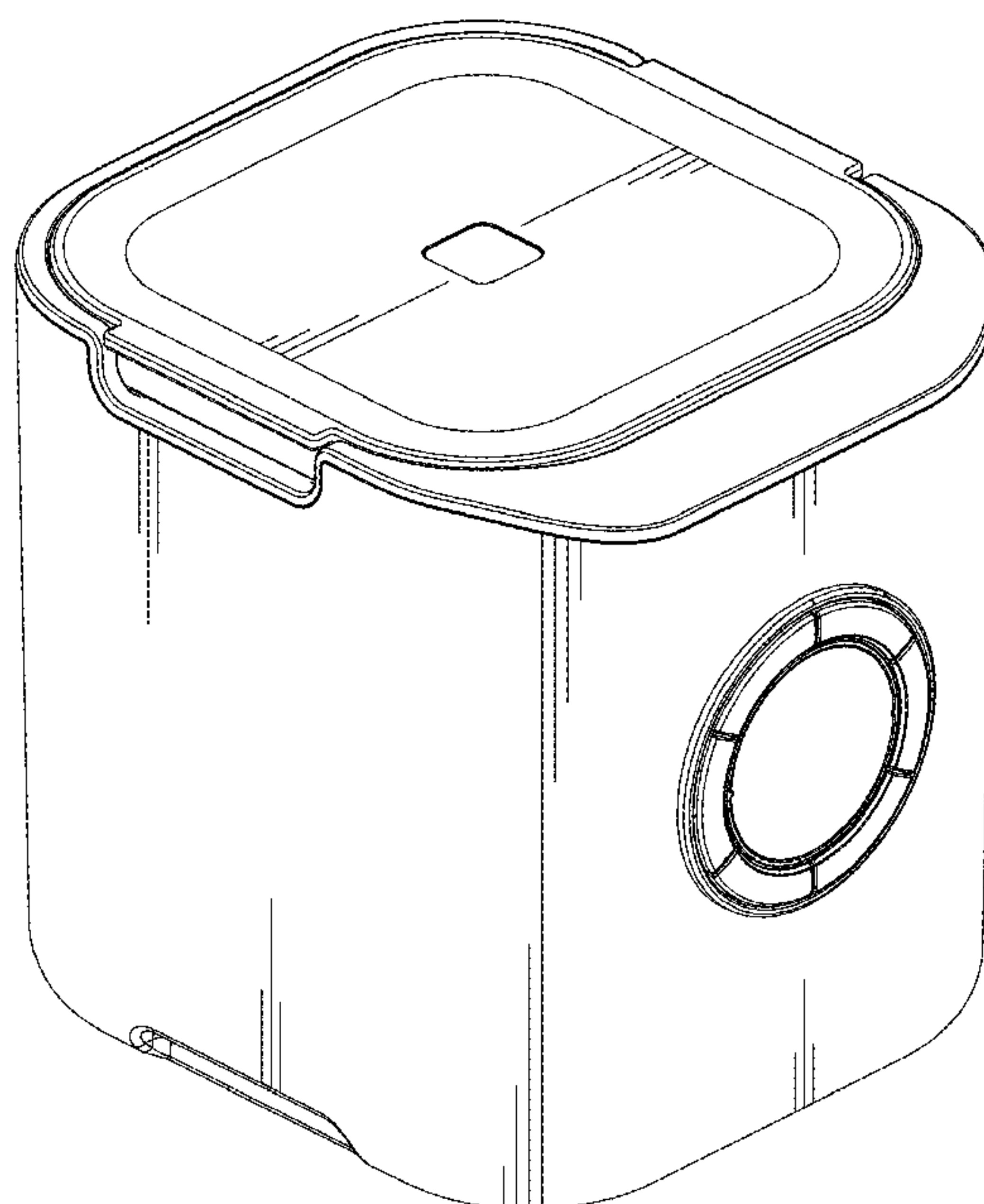
The ornamental design for an electric appliance for food fermentation, as shown and described.

**DESCRIPTION**

FIG. 1 is an isometric view of an electric appliance for food fermentation showing our new design; FIG. 2 is a front elevational view thereof; FIG. 3 is a rear elevational view thereof; FIG. 4 is a left side elevational view thereof; FIG. 5 is a right side elevational view thereof; FIG. 6 is a top plan view thereof; and, FIG. 7 is a bottom plan view thereof.

The broken lines in the figures represent features of the article of manufacture that form no part of the claimed design.

**1 Claim, 7 Drawing Sheets**



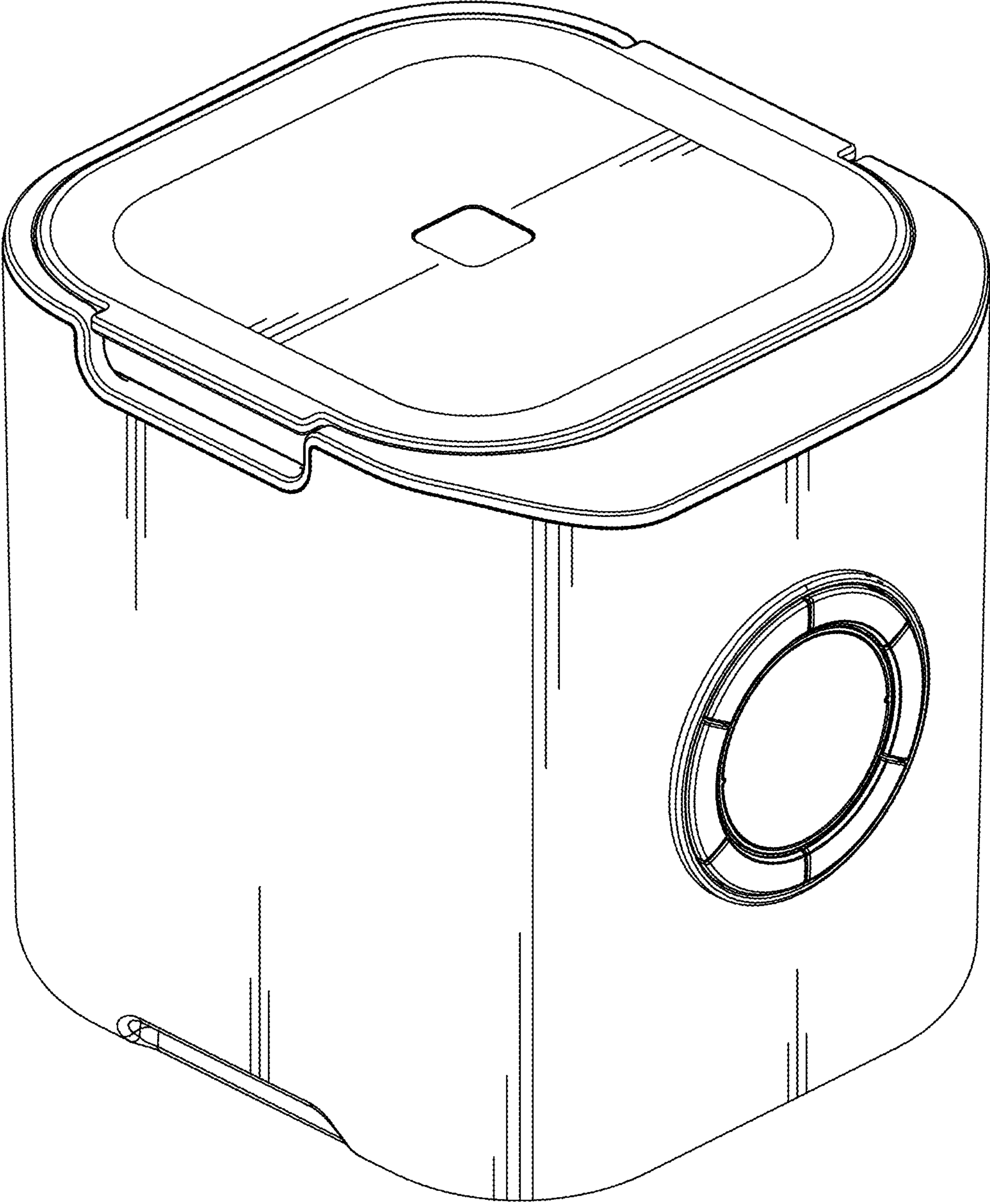
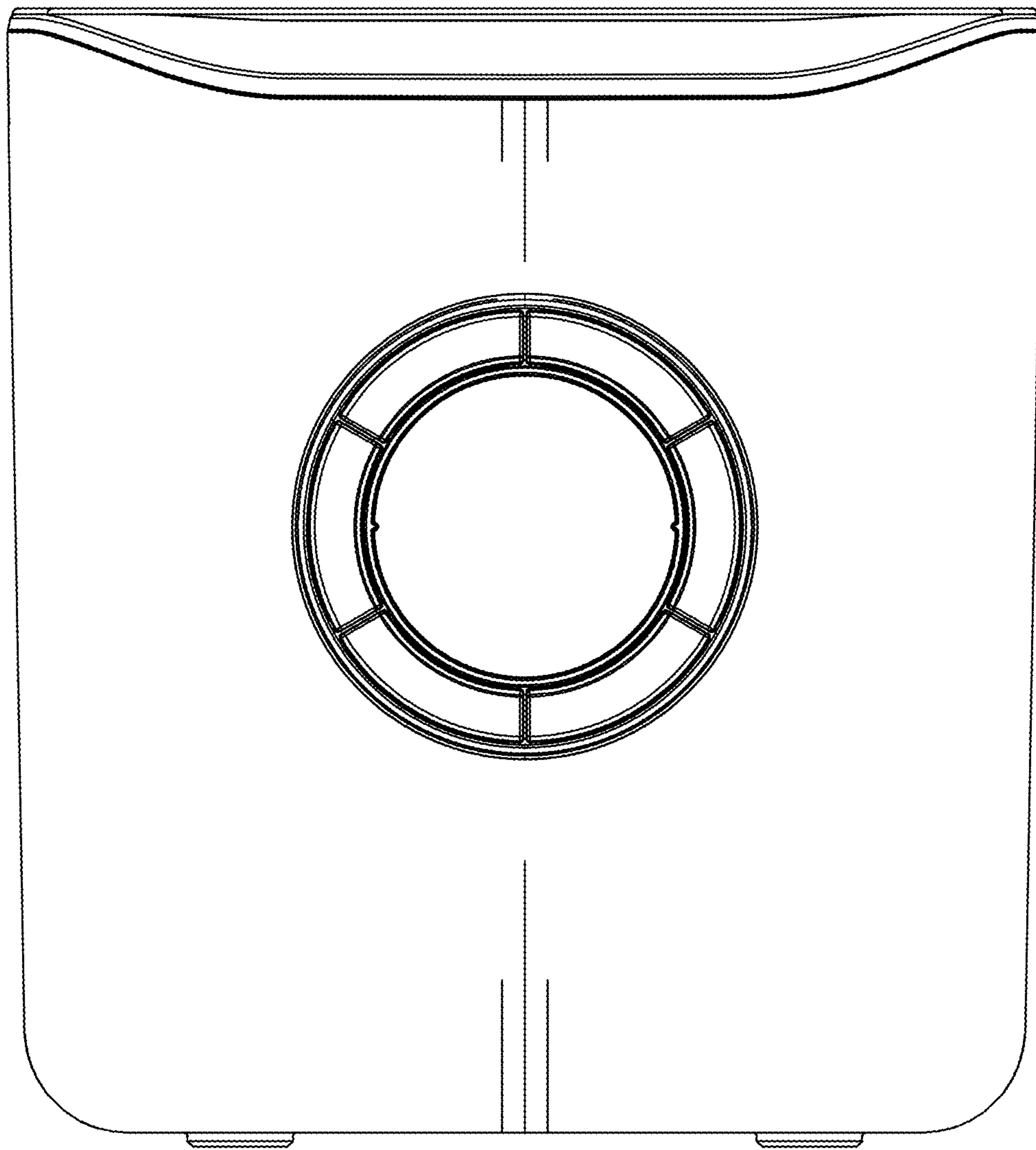
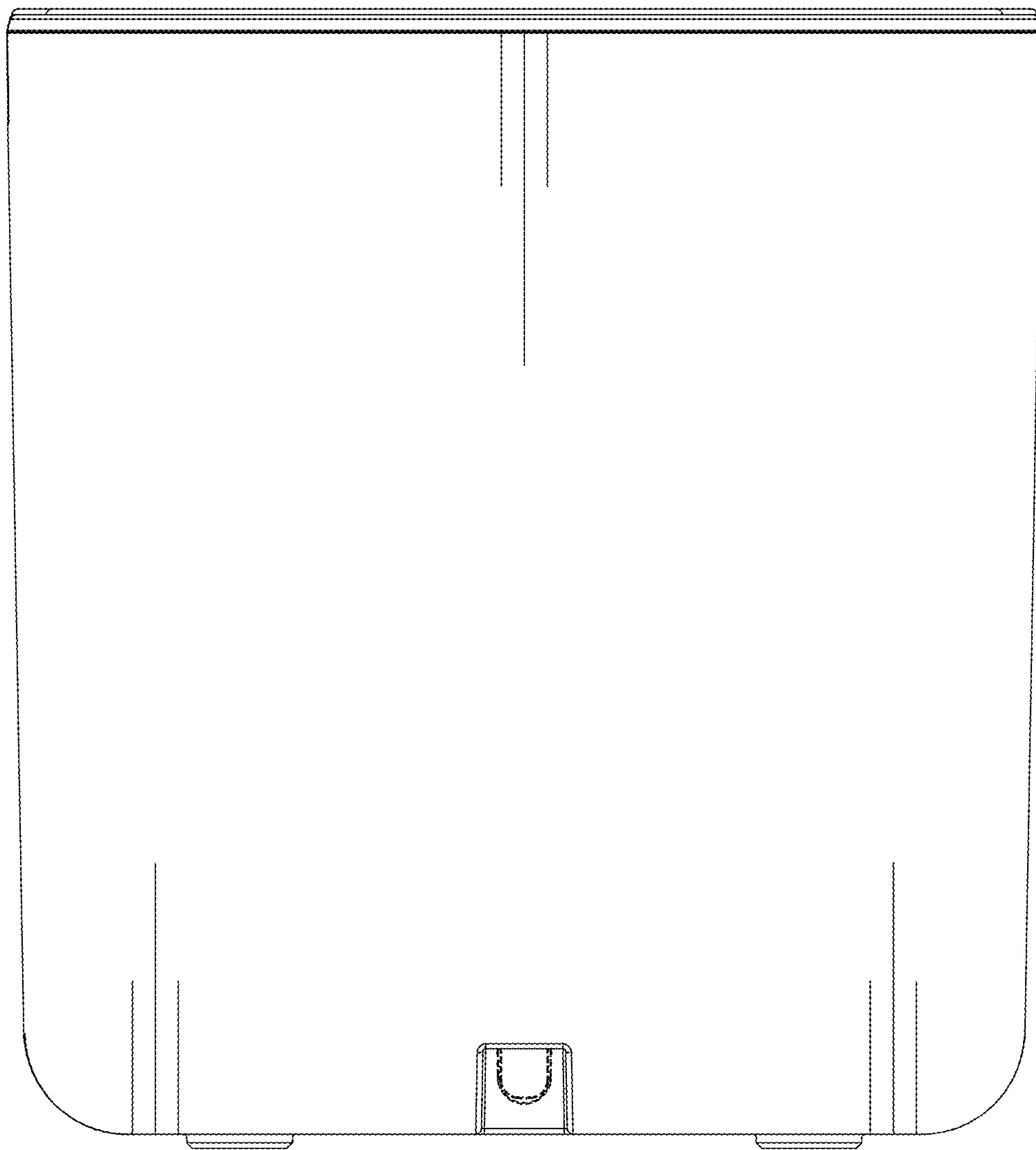


FIG. 1



*FIG. 2*



*FIG. 3*

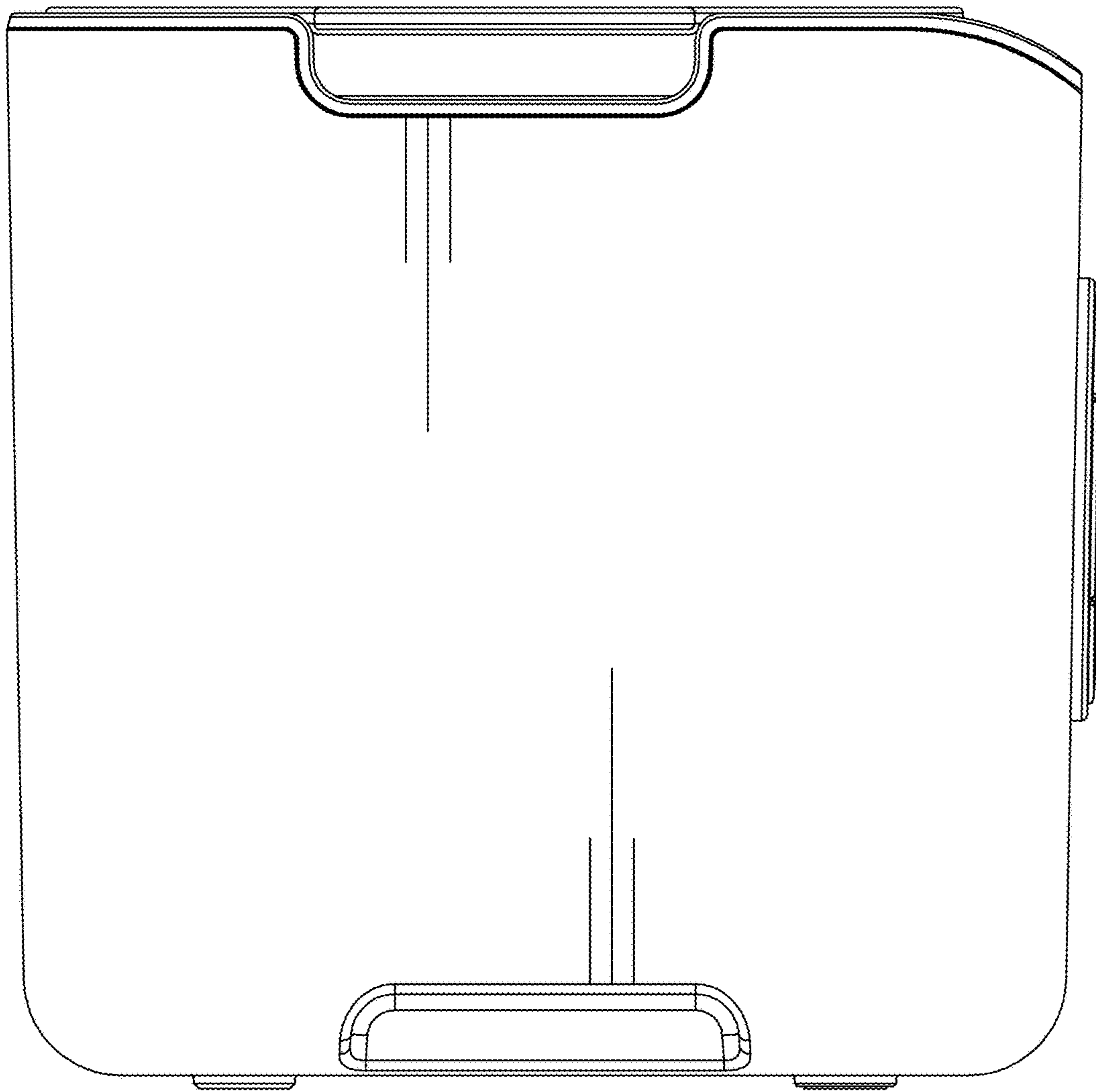
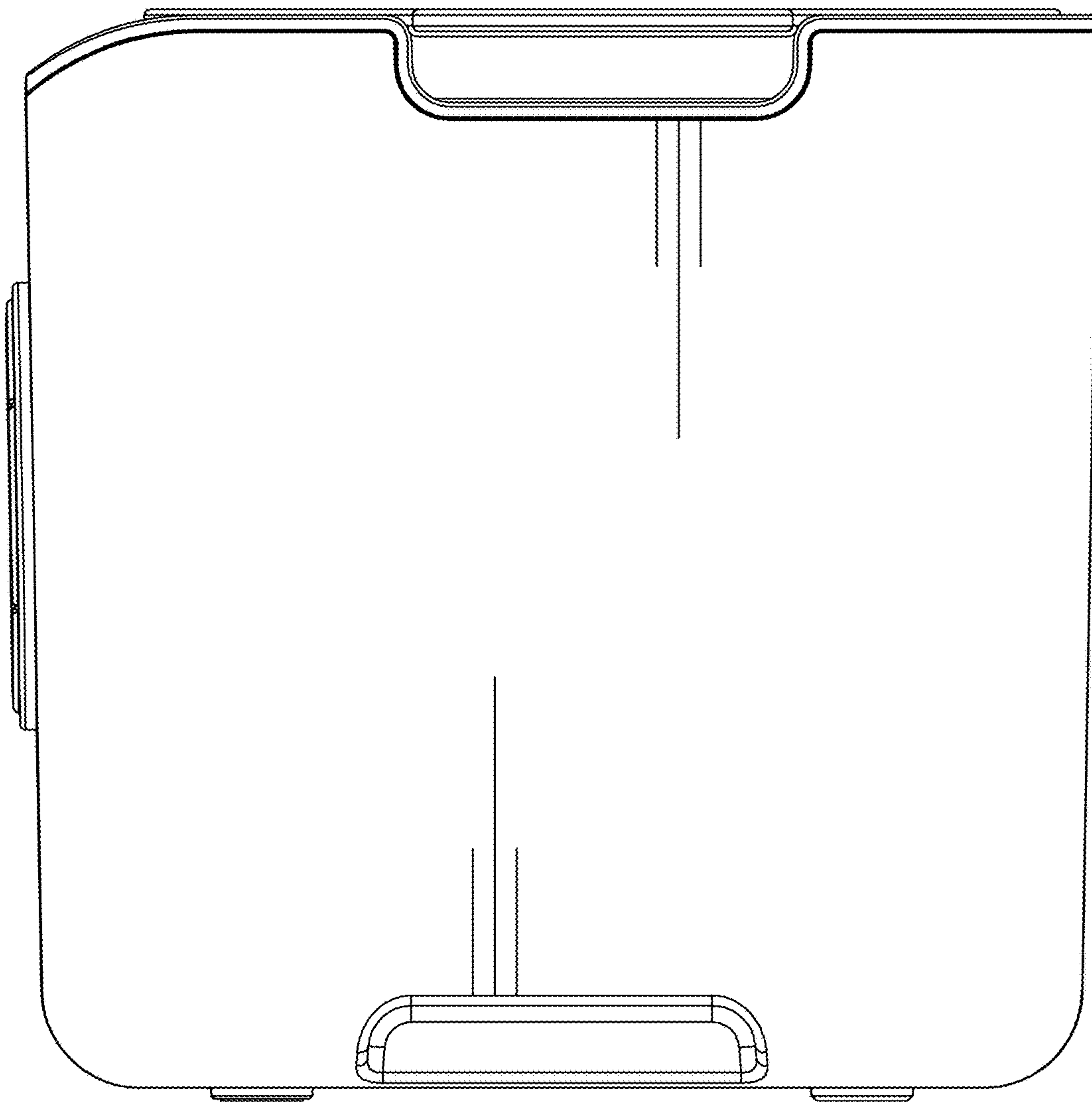


FIG. 4



*FIG. 5*



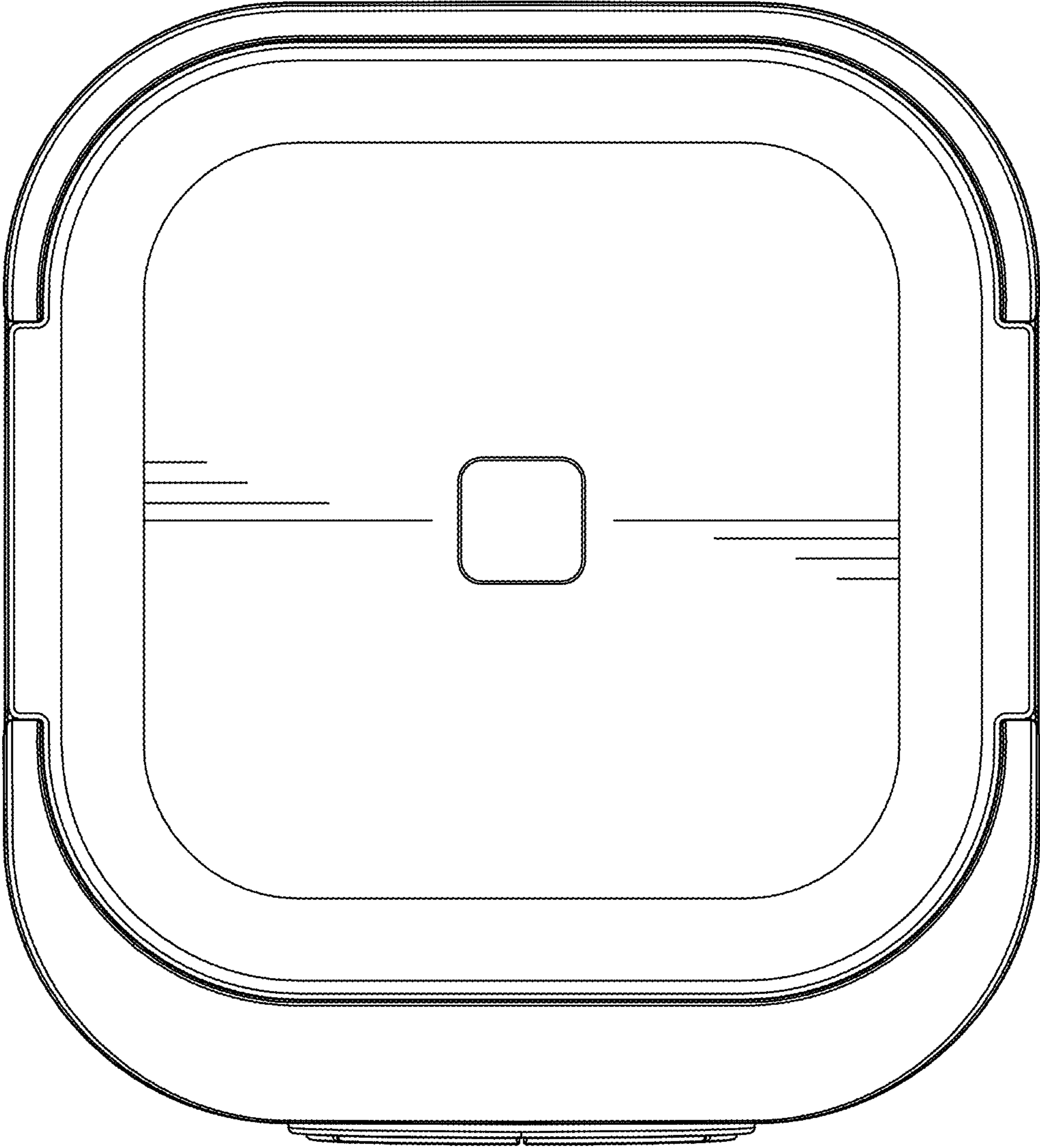
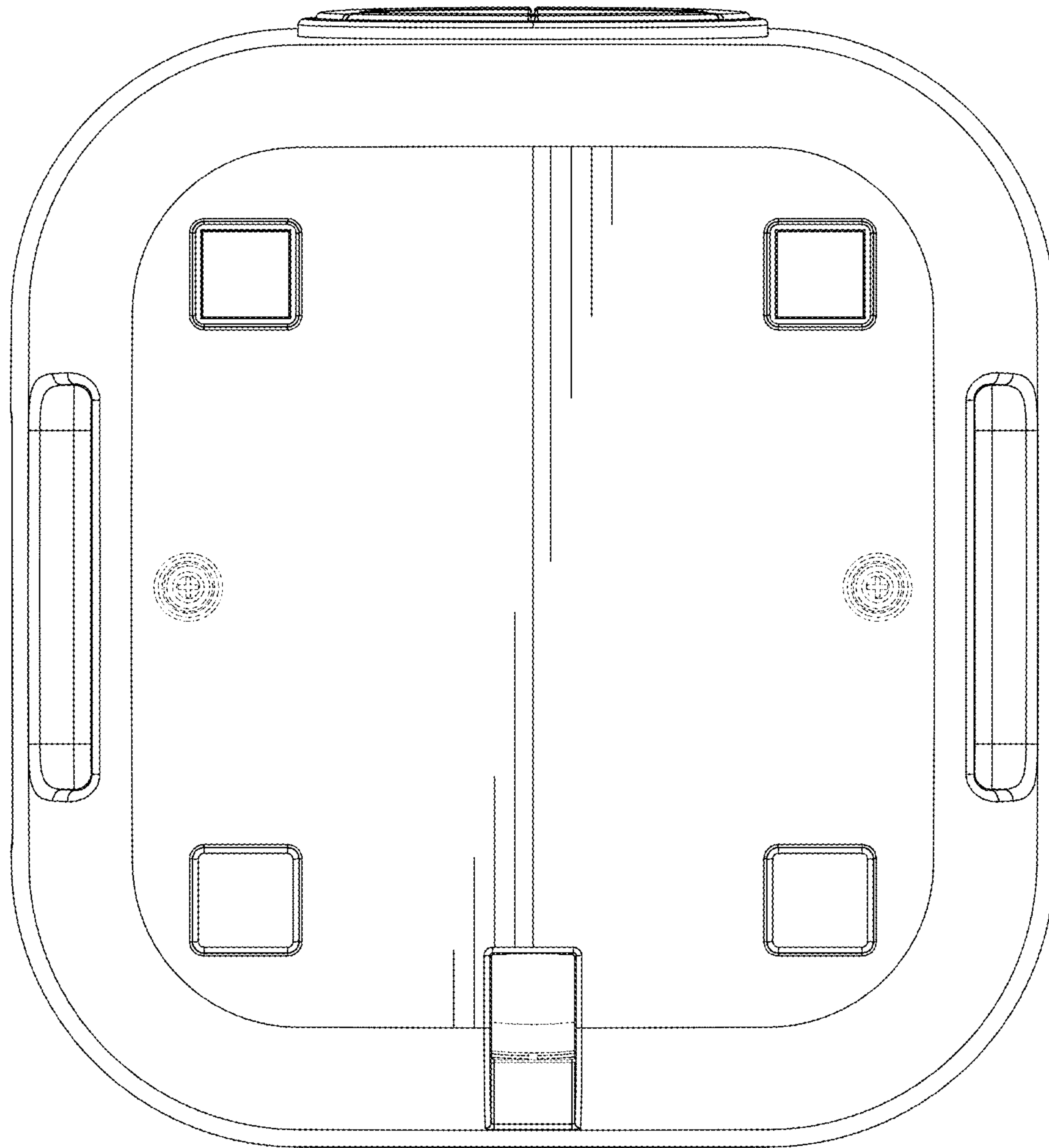


FIG. 6



*FIG. 7*