



US00D793456S

(12) **United States Design Patent**
Lindsay

(10) **Patent No.:** **US D793,456 S**

(45) **Date of Patent:** **** Aug. 1, 2017**

(54) **DUST COLLECTION DRILL AND VACUUM ATTACHMENT**

(71) Applicant: **Hunan Lindsay**, Seattle, WA (US)

(72) Inventor: **Hunan Lindsay**, Seattle, WA (US)

(**) Term: **15 Years**

(21) Appl. No.: **29/547,225**

(22) Filed: **Dec. 2, 2015**

(51) **LOC (10) Cl.** **08-03**

(52) **U.S. Cl.**
USPC **D15/70; D8/86; D15/138**

(58) **Field of Classification Search**
USPC D8/61-71, 90, 86; D15/138, 28, 126,
D15/132, 139, 140
CPC Y10T 409/304088; Y10T 408/50; B23Q
11/0046; B23Q 11/00; B23Q 11/0053;
Y02P 70/171
See application file for complete search history.

(56) **References Cited**

U.S. PATENT DOCUMENTS

3,536,149	A *	10/1970	Laird	B23Q 11/0053 175/209
3,936,213	A *	2/1976	Kappel	B23Q 11/0053 175/211
4,946,322	A *	8/1990	Colligan	B23Q 11/006 29/DIG. 78
5,467,835	A *	11/1995	Obermeier	B23Q 11/0046 173/75
5,522,683	A *	6/1996	Kakimoto	B23B 41/00 408/13
5,988,954	A	11/1999	Gaskin et al.		
6,053,674	A	4/2000	Thompson		
7,175,371	B2 *	2/2007	Vidal	B23Q 11/0064 408/1 R
D542,313	S	5/2007	Skradski et al.		

7,396,193	B2	7/2008	Kesten		
D575,311	S *	8/2008	Konecny	D15/138
D588,893	S *	3/2009	Radich	D8/70
D590,227	S *	4/2009	Yun	D8/70
7,976,363	B2 *	7/2011	Reich	B23Q 11/0046 451/451
8,342,782	B2	1/2013	Nishikawa et al.		
D677,292	S *	3/2013	Barnes	D15/132
D695,584	S *	12/2013	Chen	D8/70
9,073,161	B2 *	7/2015	Tseng	B23Q 11/0053
D741,557	S *	10/2015	Young	D32/18
D742,081	S *	10/2015	Young	D32/18
2002/0154960	A1	10/2002	Lin		
2004/0141820	A1 *	7/2004	Mikon	B23Q 11/0046 408/67
2005/0000052	A1	1/2005	Byles		
2007/0243031	A1 *	10/2007	Yun	B23B 47/00 408/67

(Continued)

Primary Examiner — Mark Goodwin

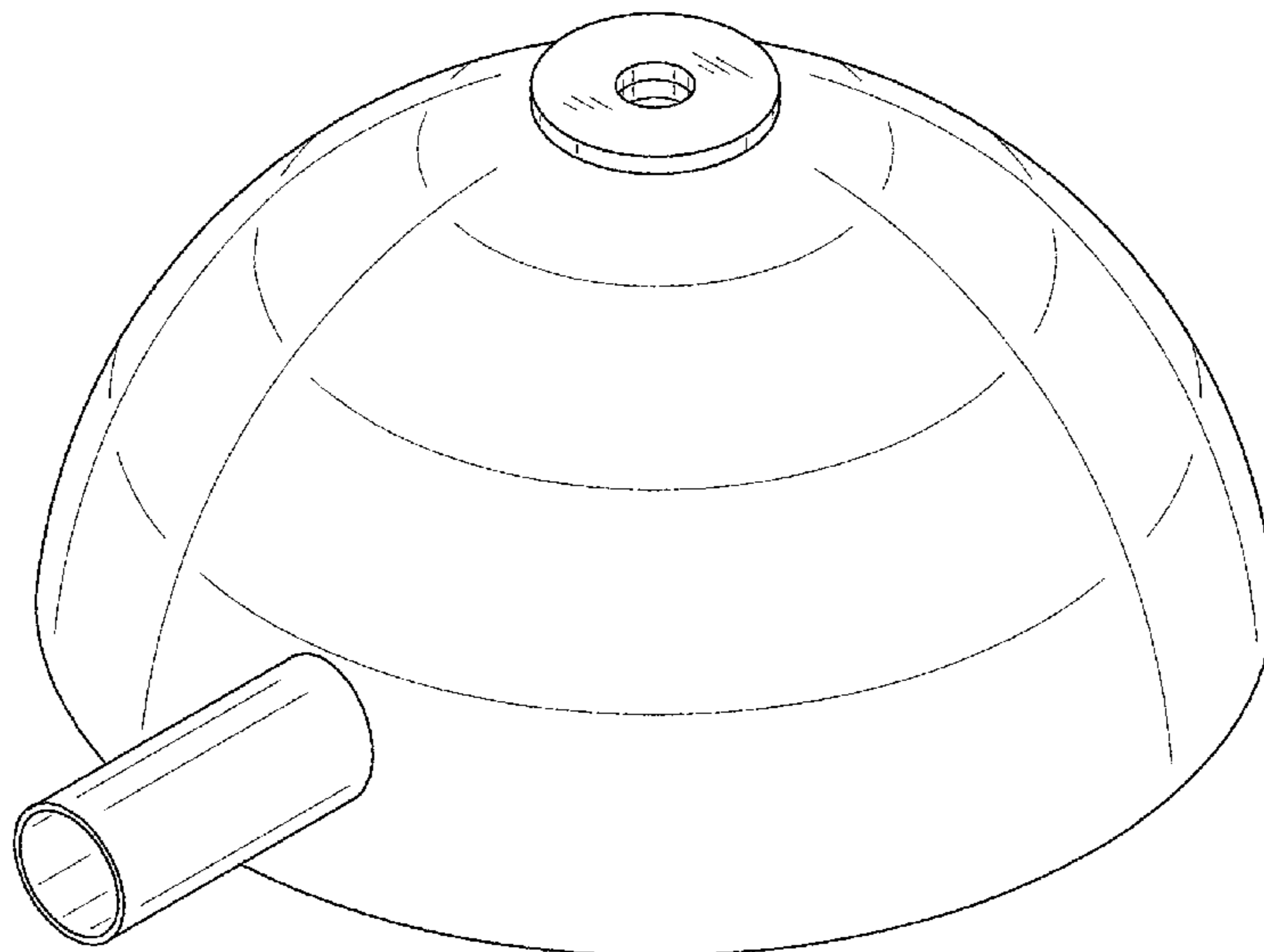
(57) **CLAIM**

The ornamental design for a dust collection drill and vacuum attachment, as shown and described.

DESCRIPTION

FIG. 1 is a front view of a dust collection drill and vacuum attachment showing my new design;
 FIG. 2 is a rear view of the dust collection drill and vacuum attachment;
 FIG. 3 is a left side view of the dust collection drill and vacuum attachment, a right side view being a mirror image thereof;
 FIG. 4 is a top view of the dust collection drill and vacuum attachment;
 FIG. 5 is a bottom view of the dust collection drill and vacuum attachment; and,
 FIG. 6 is a top front side perspective view of the dust collection drill and vacuum attachment.

1 Claim, 6 Drawing Sheets



(56)

References Cited

U.S. PATENT DOCUMENTS

2013/0094915 A1* 4/2013 Chen B23Q 11/0071
408/67

* cited by examiner

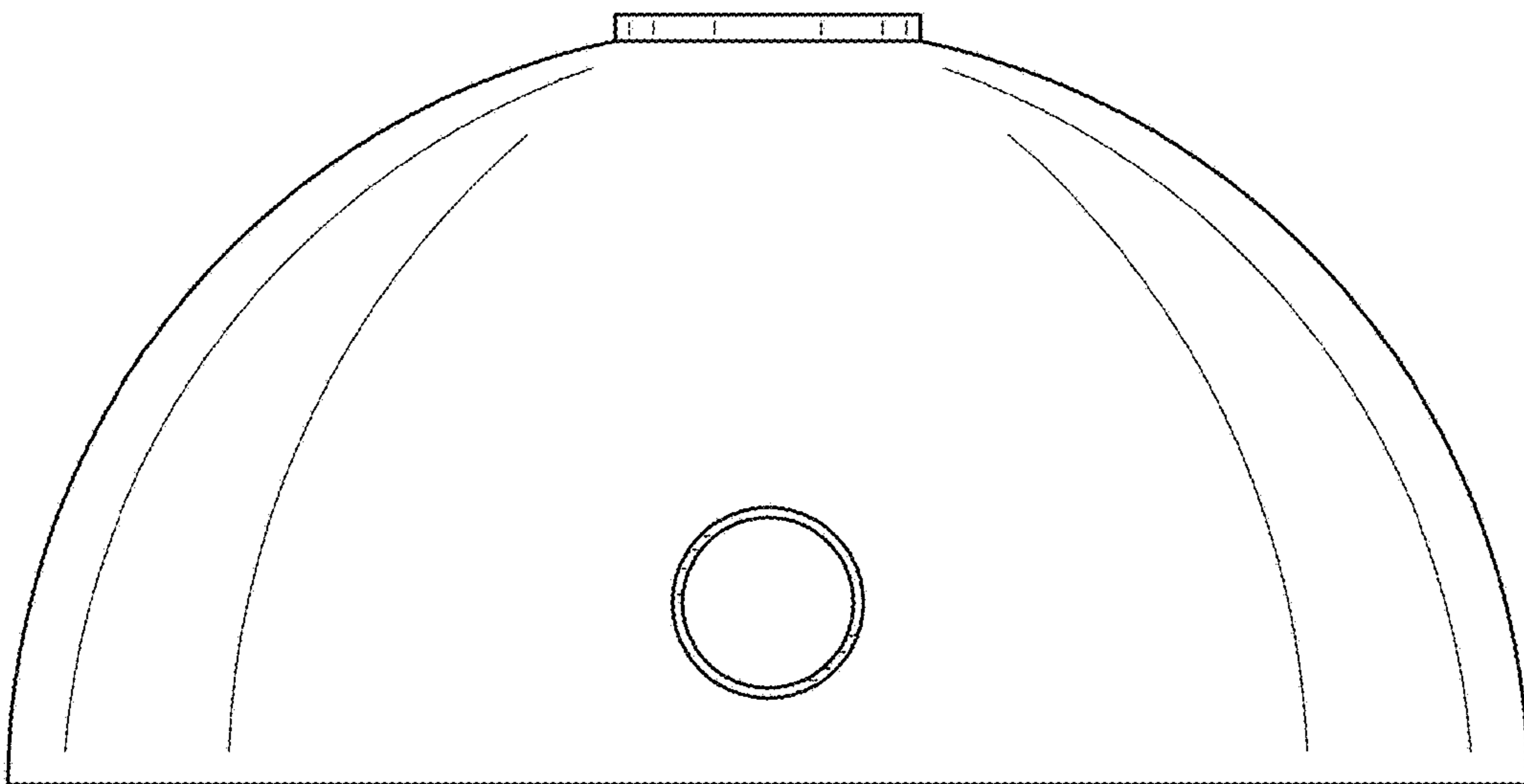


FIG. 1

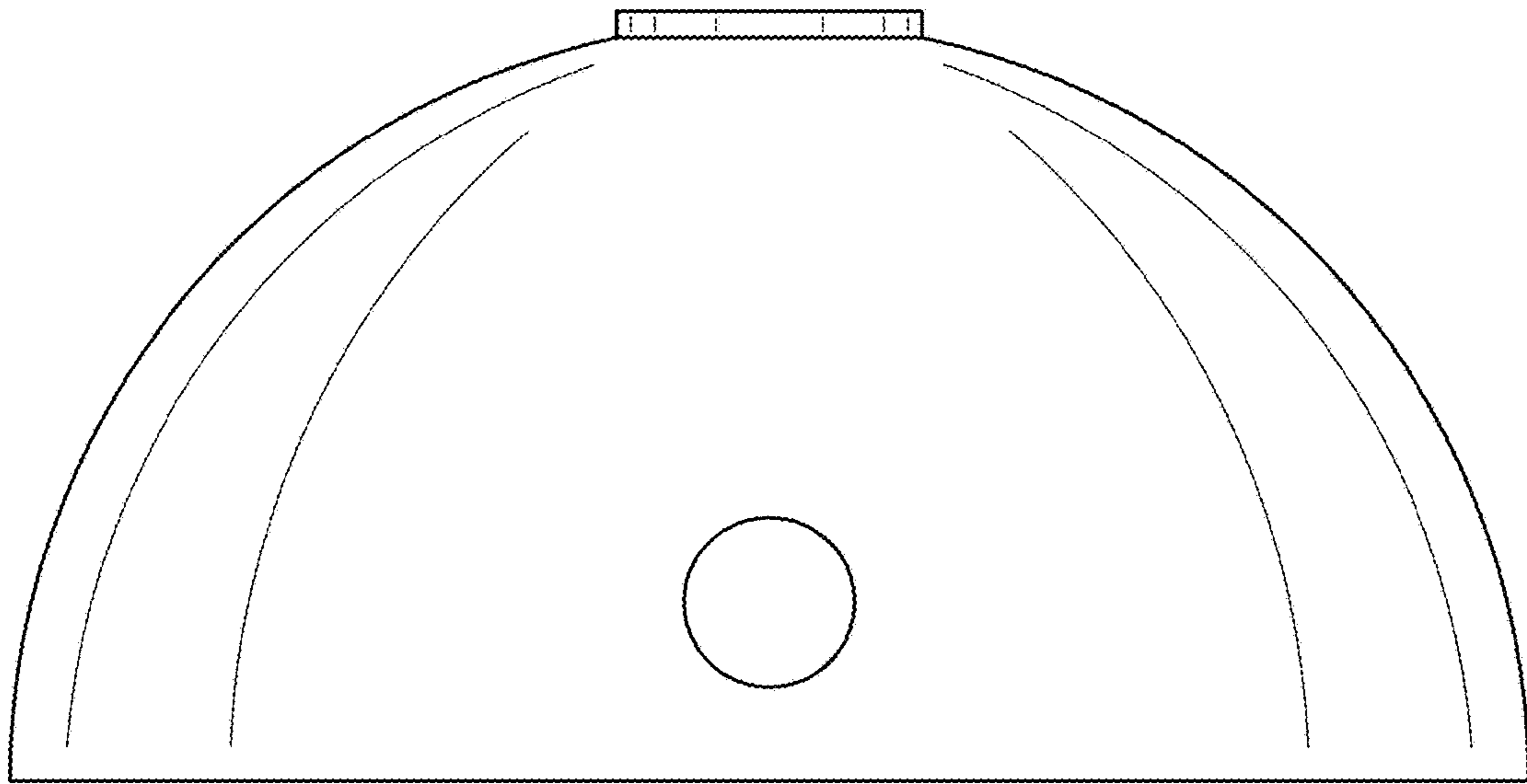


FIG. 2

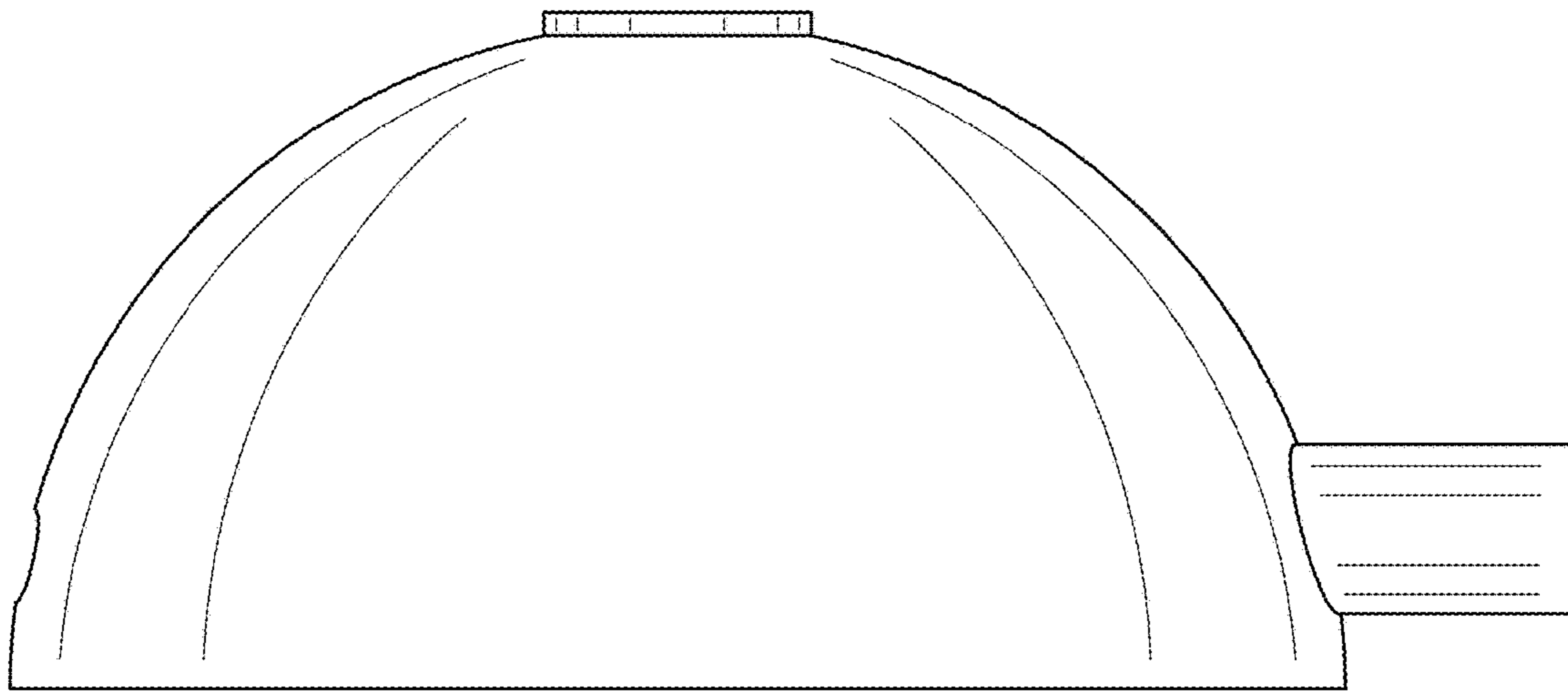


FIG. 3

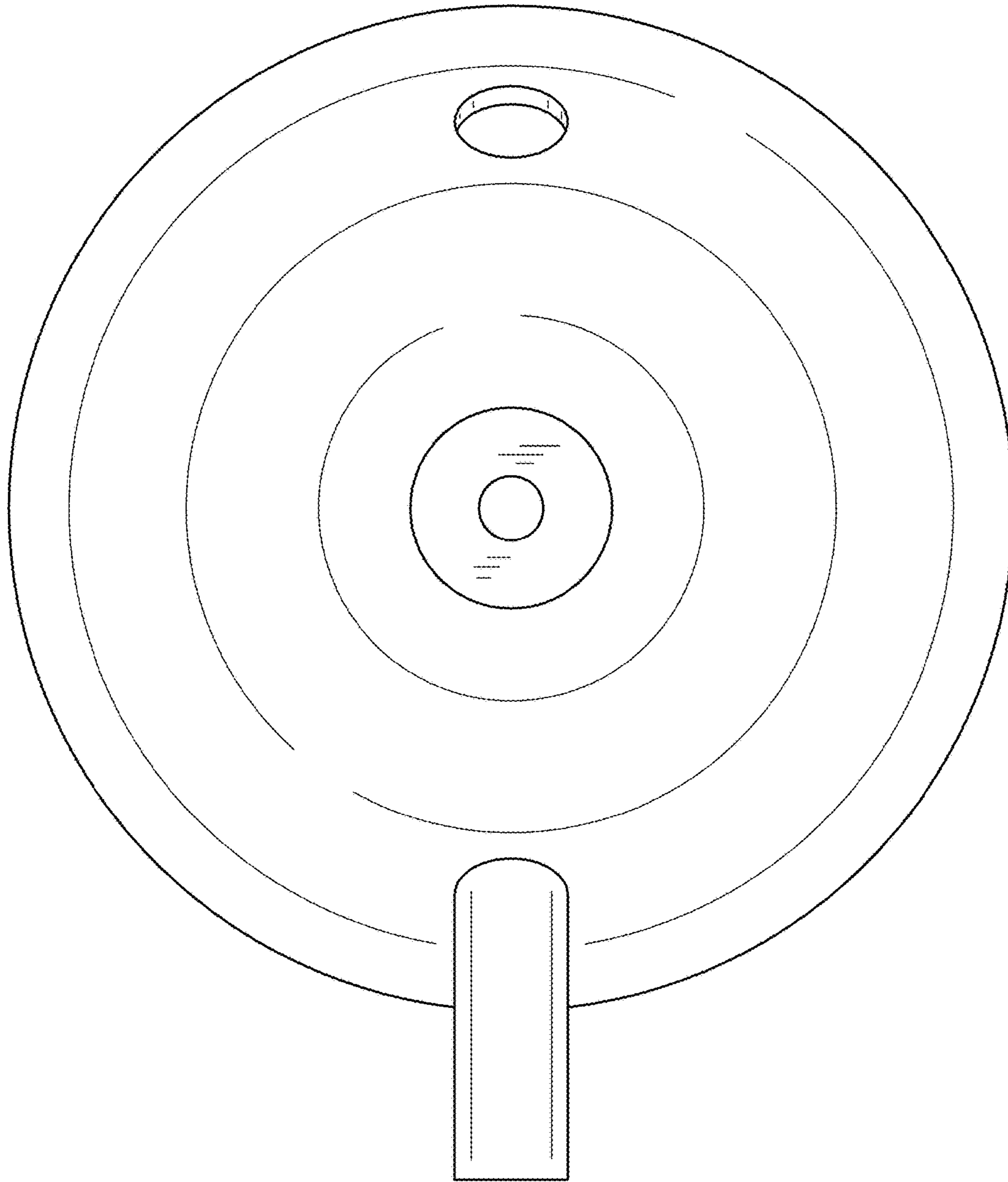


FIG. 4

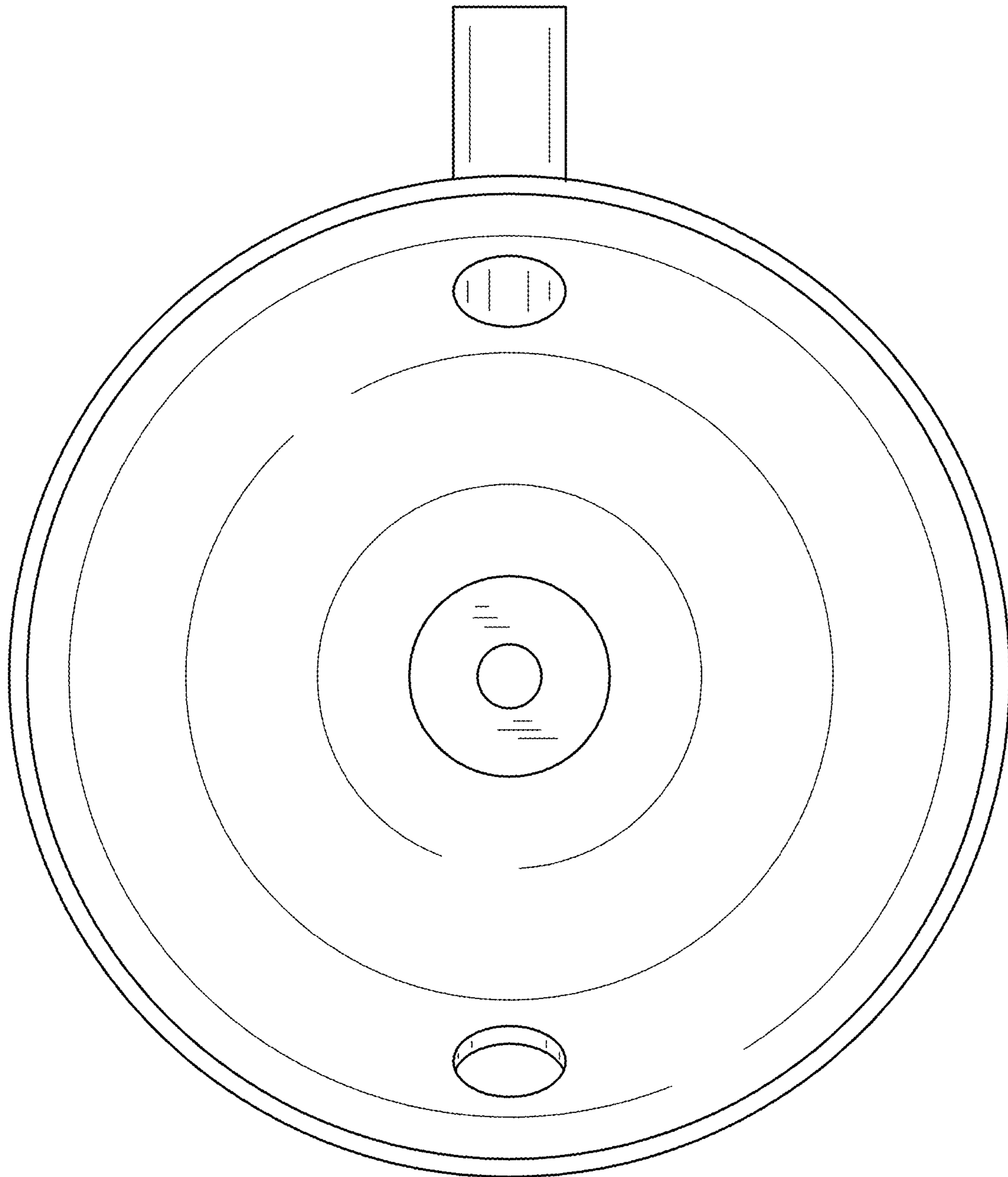


FIG. 5

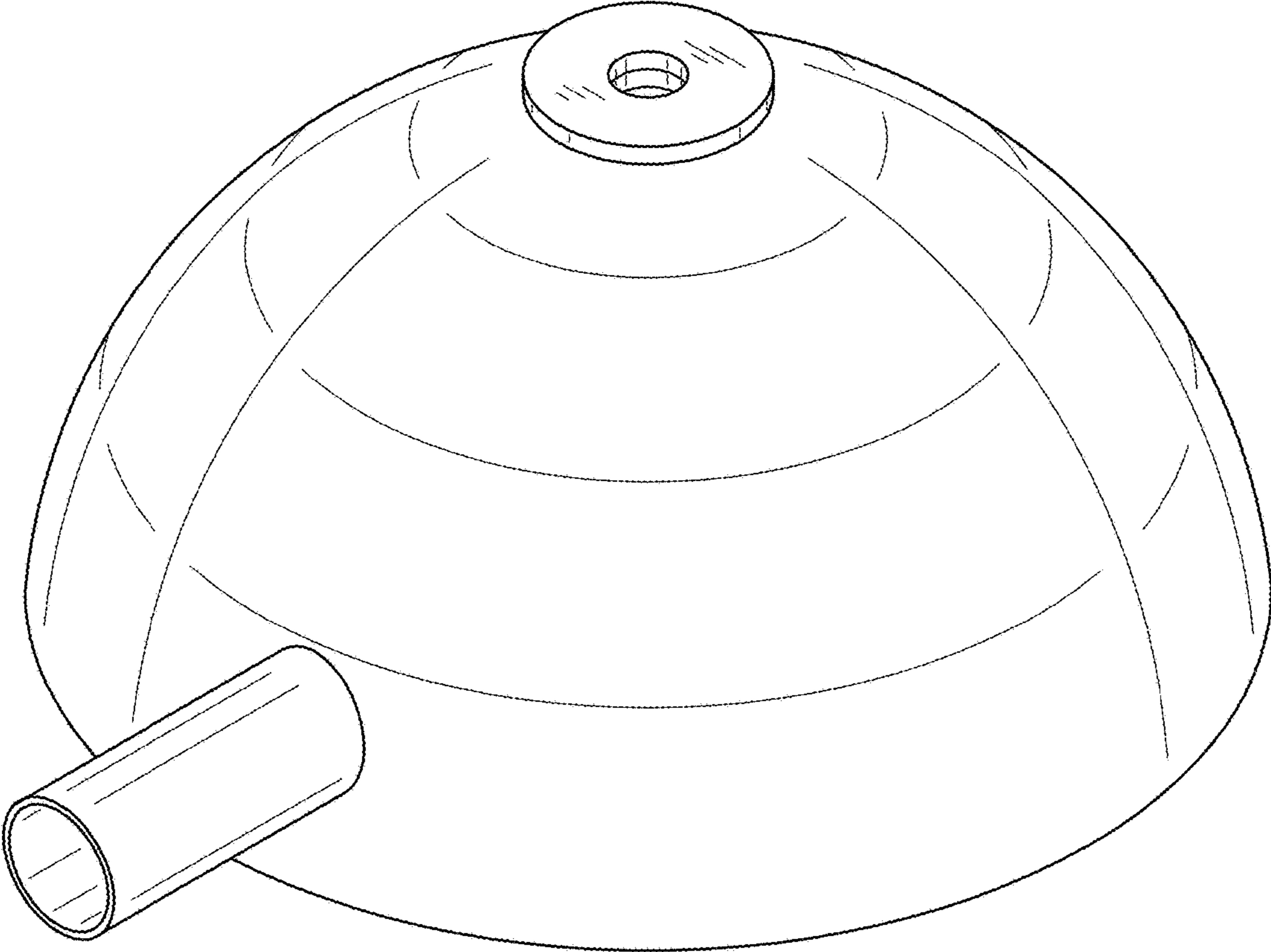


FIG. 6