



US00D793455S

(12) **United States Design Patent** (10) **Patent No.:** **US D793,455 S**
Atterbury et al. (45) **Date of Patent:** **** Aug. 1, 2017**

(54) **REAR GUARD FOR TURF VEHICLE**

(71) Applicant: **Exmark Manufacturing Company, Incorporated**, Beatrice, NE (US)

(72) Inventors: **C. Mark Atterbury**, Lincoln, NE (US); **Philip C. Dretzka**, Woodbury, MN (US); **David M. Converse**, Lincoln, NE (US)

(73) Assignee: **Exmark Manufacturing Company, Incorporated**, Beatrice, NE (US)

(**) Term: **15 Years**

(21) Appl. No.: **29/565,915**

(22) Filed: **May 25, 2016**

(51) **LOC (10) Cl.** **15-03**

(52) **U.S. Cl.**
USPC **D15/17; D15/15**

(58) **Field of Classification Search**
USPC D15/14-18, 23, 28, 31; 56/13.3, 13.4, 56/16.1, 17.4, 15.8, 15.9, 16.7, 202, 255,
(Continued)

(56) **References Cited**

U.S. PATENT DOCUMENTS

D344,959 S * 3/1994 Patterson D15/17
D398,311 S * 9/1998 Smith D15/15
(Continued)

OTHER PUBLICATIONS

IDS NPL Document 1, Gravely Riding Mower 1, Ariens Company, Brillion, WI, USA. Believed available at least as early as May 16, 2016; 1 page.

(Continued)

Primary Examiner — Mark Goodwin

(74) *Attorney, Agent, or Firm* — Muetting, Raasch & Gebhardt, P.A.

(57) **CLAIM**

The ornamental design for a rear guard for turf vehicle, as shown and described.

DESCRIPTION

FIG. 1 is a right rear perspective view of a rear guard for turf vehicle in accordance with the claimed design and shown attached to a riding lawn mower;

FIG. 2 is a right rear perspective view of the design of FIG. 1;

FIG. 3 is a rear elevation view of the design of FIG. 1;

FIG. 4 is a right side elevation view of the design of FIG. 1;

FIG. 5 is a left side elevation view of the design of FIG. 1; and,

FIG. 6 is a top plan view of the design of FIG. 1.

The front elevation view and the bottom plan view are not shown and form no part of the claimed design.

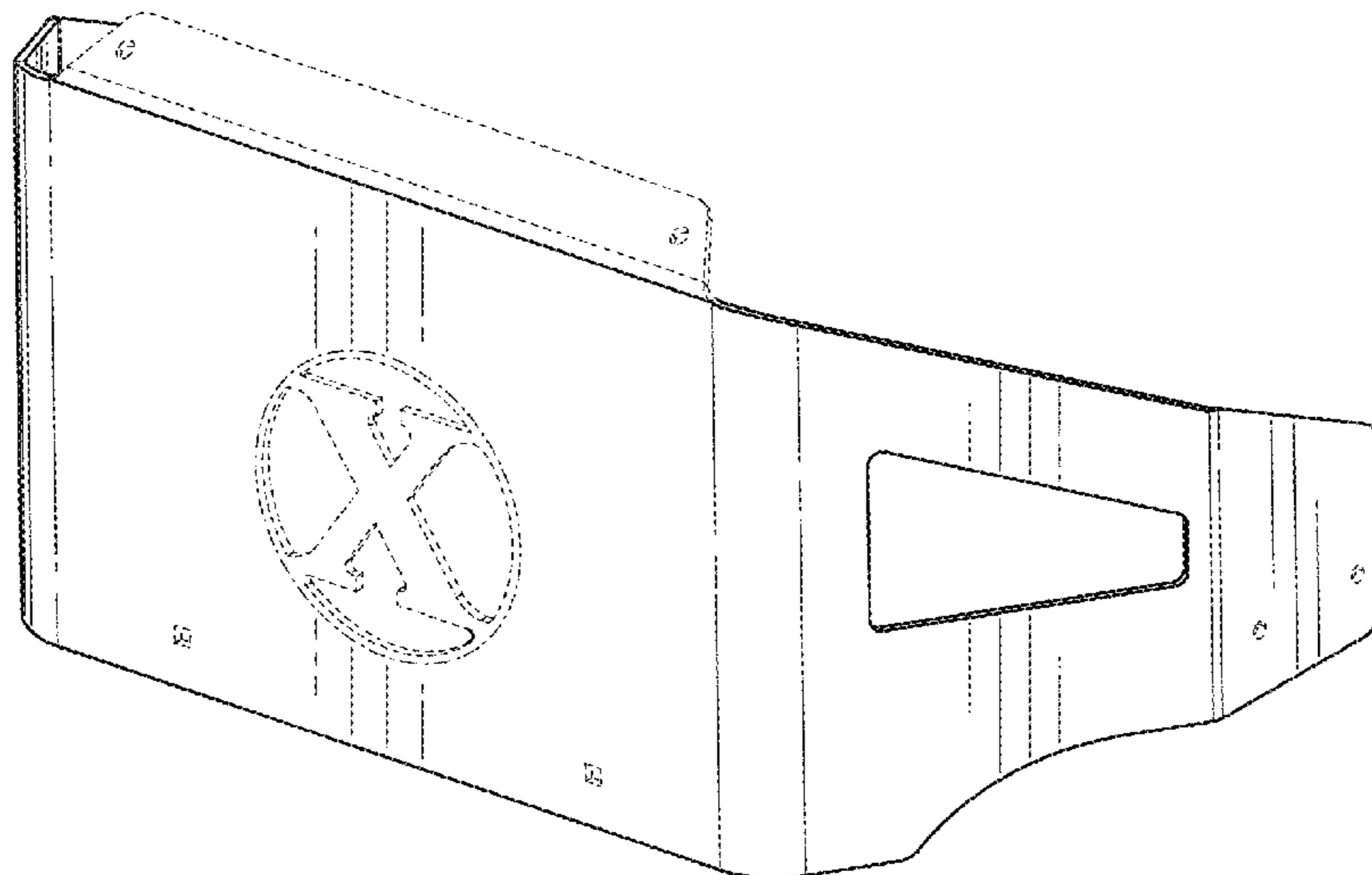
The dot-dash broken lines in the figures represent a boundary between claimed and unclaimed subject matter and form no part of the claimed design.

The dash-dash broken lines in the figures (including the riding lawn mower in FIG. 1, the portions within a boundary of the dot-dash broken lines, and other aspects) form no part of the claimed design.

The labels used herein to describe orientation (e.g., front, rear, left, right) are merely for reference and are not intended to limit the interpretation of the design.

Applicant reserves the right to convert: a portion or portions of any of the broken lines to solid lines such that the features described by those lines then form a part of the claimed design; and/or a portion or portions of any of the solid lines to broken lines such that the features described by those lines no longer form part of the claimed design.

1 Claim, 6 Drawing Sheets



(58) **Field of Classification Search**

USPC ... 56/294, 320.1, 320.2; 180/900, 273, 68.6,
180/69.21
CPC A01D 34/63; A01D 34/64; A01D 43/0635;
A01D 2101/00

See application file for complete search history.

(56) **References Cited**

U.S. PATENT DOCUMENTS

D512,444 S	*	12/2005	Ayers	D15/15
D560,690 S	*	1/2008	Higashikawa	D15/10
D626,572 S	*	11/2010	Moriguchi	D15/15
D656,964 S	*	4/2012	Naslund	D15/15
D656,965 S	*	4/2012	Ortlund	D15/15
D674,409 S	*	1/2013	Higashikawa	D15/15
D674,816 S	*	1/2013	Higashikawa	D15/15
D681,685 S	*	5/2013	Higashikawa	D15/15
D681,688 S	*	5/2013	Higashikawa	D15/15
D705,822 S	*	5/2014	Higashikawa	D15/15
D707,721 S	*	6/2014	Hippoliti	D15/15
D715,329 S	*	10/2014	Higashikawa	D15/15
D719,980 S	*	12/2014	Foster	D15/15
D742,931 S	*	11/2015	Burns, Jr.	D15/17
D748,676 S	*	2/2016	Higashikawa	D15/15

OTHER PUBLICATIONS

IDS NPL Document 2, Gravely Riding Mower 2, Ariens Company, Brillion, WI, USA. Believed available at least as early as May 16, 2016; 1 page.

IDS NPL Document 3, Hustler Riding Mower, Hustler Turf Equipment, Hesston, KS, USA. Believed available at least as early as May 16, 2016; 1 page.

IDS NPL Document 4, Snapper Pro Riding Mower, Briggs & Stratton Corporation, Wauwatosa, WI, USA. Believed available at least as early as May 16, 2016; 1 page.

IDS NPL Document 5, Spartan SRT-HD Riding Mower, Spartan Mowers, Batesville, AR, USA. Believed available at least as early as May 16, 2016; 1 page.

IDS NPL Document 6, Toro Riding Mower 1, The Toro Company, Minneapolis, MN, USA. Available at least as early as 2012; 1 page.

IDS NPL Document 7, Exmark Riding Mower 1, Exmark Manufacturing Co., Inc., Beatrice, NE, USA. Available at least as early as 2012; 1 page.

IDS NPL Document 8, Toro Riding Mower 2, The Toro Company, Minneapolis, MN, USA. Available at least as early as Feb. 2015; 1 page.

IDS NPL Document 9, Ferris Riding Mower, Briggs & Stratton Corporation, Wauwatosa, WI, USA. Believed available at least as early as May 16, 2016; 1 page.

IDS NPL Document 10, Scag Tiger Cat Riding Mower, Scag Power Equipment, Mayville, WI, USA. Believed available at least as early as May 16, 2016; 1 page.

IDS NPL Document 11, Scag Liberty Z Riding Mower, Scag Power Equipment, Mayville, WI, USA. Believed available at least as early as May 16, 2016; 1 page.

IDS NPL Document 12, Bob-cat Riding Mower, Schiller Grounds Care, Inc., Johnson Creek, WI, USA. Believed available at least as early as May 16, 2016; 1 page.

IDS NPL Document 13, Kubota Riding Mower, Kubota Tractor Corporation, Torrance, CA, USA. Believed available at least as early as May 16, 2016; 1 page.

IDS NPL Document 14, Exmark Riding Mower 2, Exmark Manufacturing Co., Inc., Beatrice, NE, USA. Believed available at least as early as 2012; 1 page.

IDS NPL Document 15, Exmark Riding Mower 3, Exmark Manufacturing Co., Inc., Beatrice, NE, USA. Believed available at least as early as 2010; 1 page.

* cited by examiner

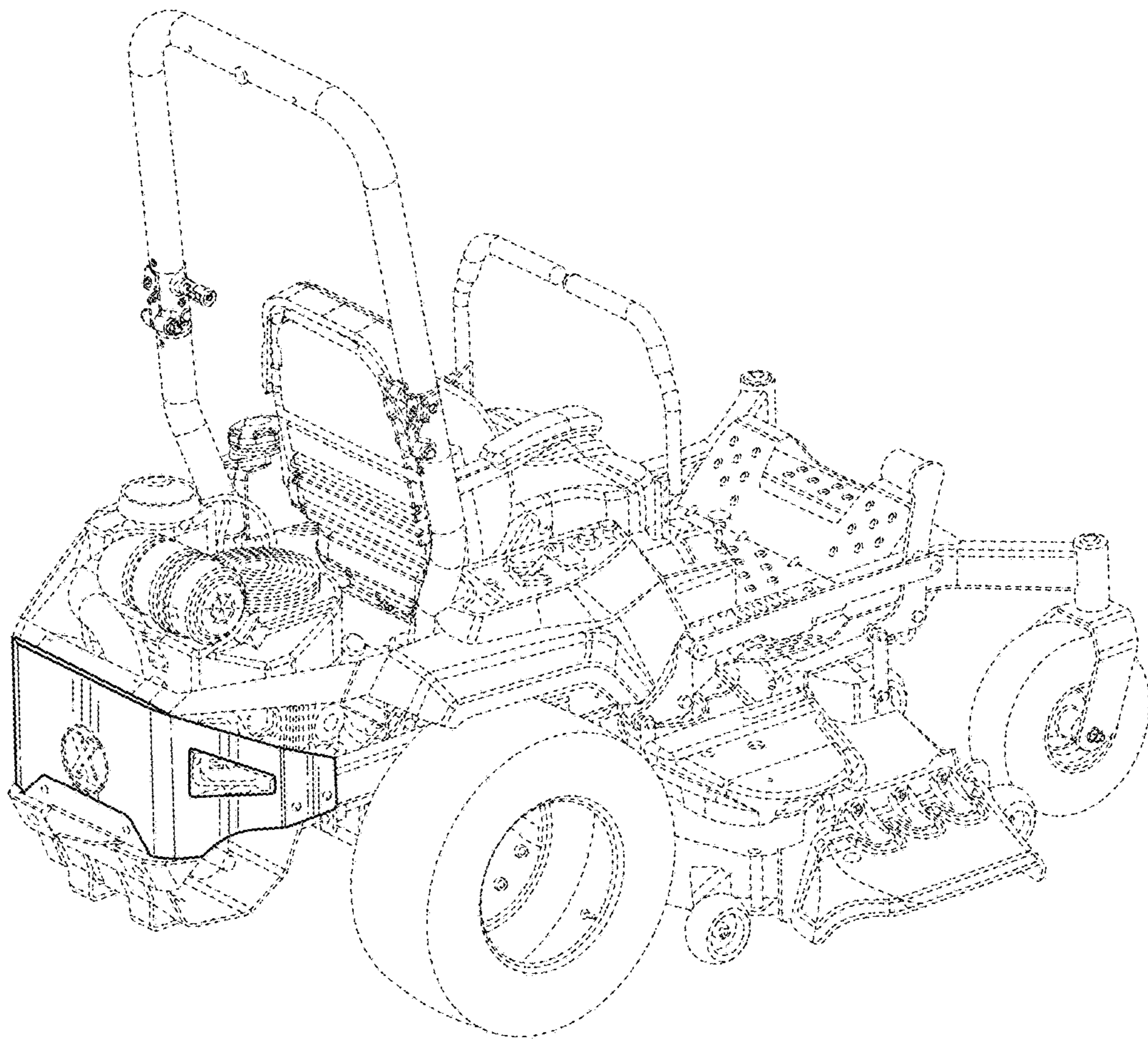


FIG. 1

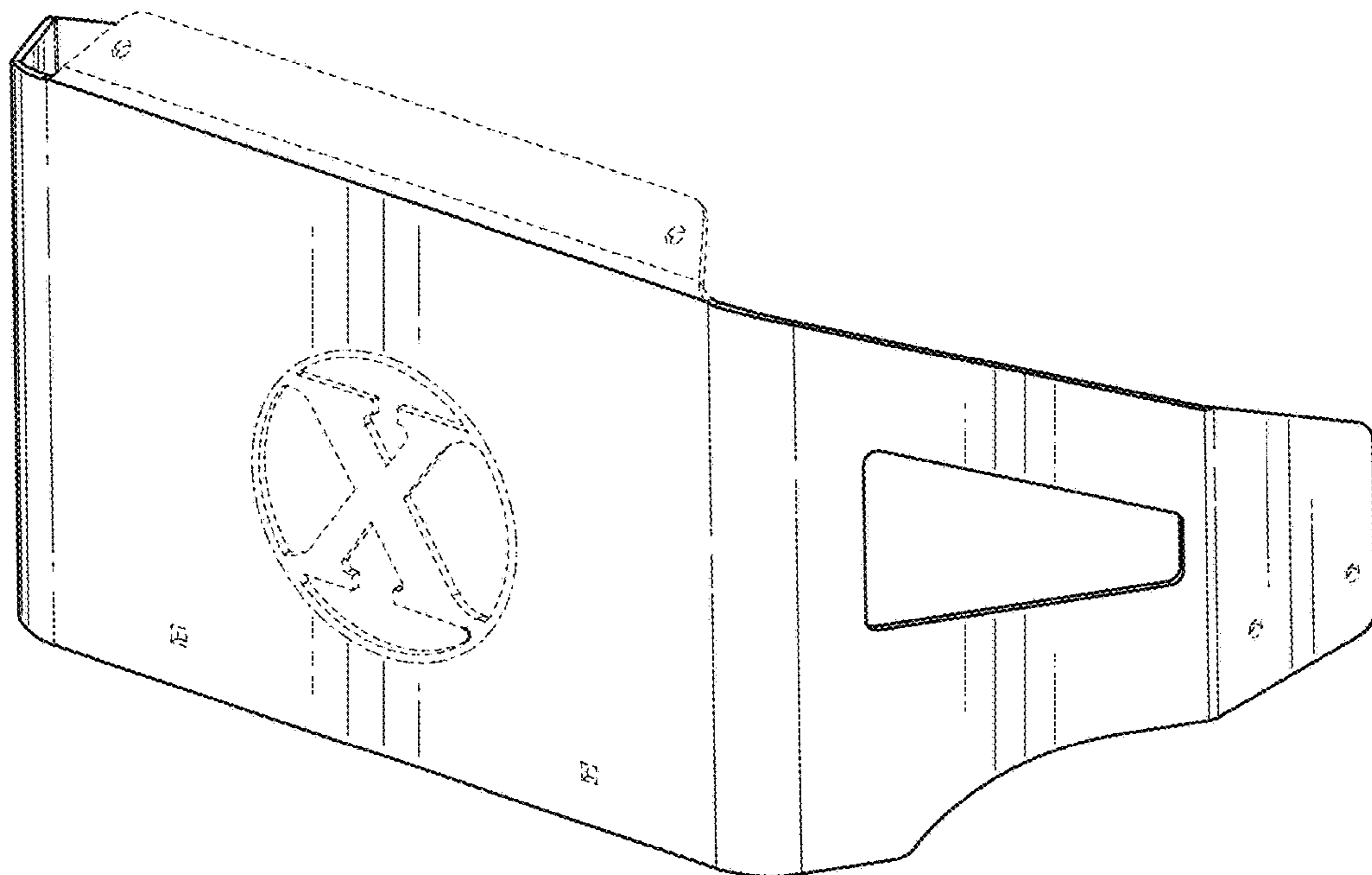


FIG. 2

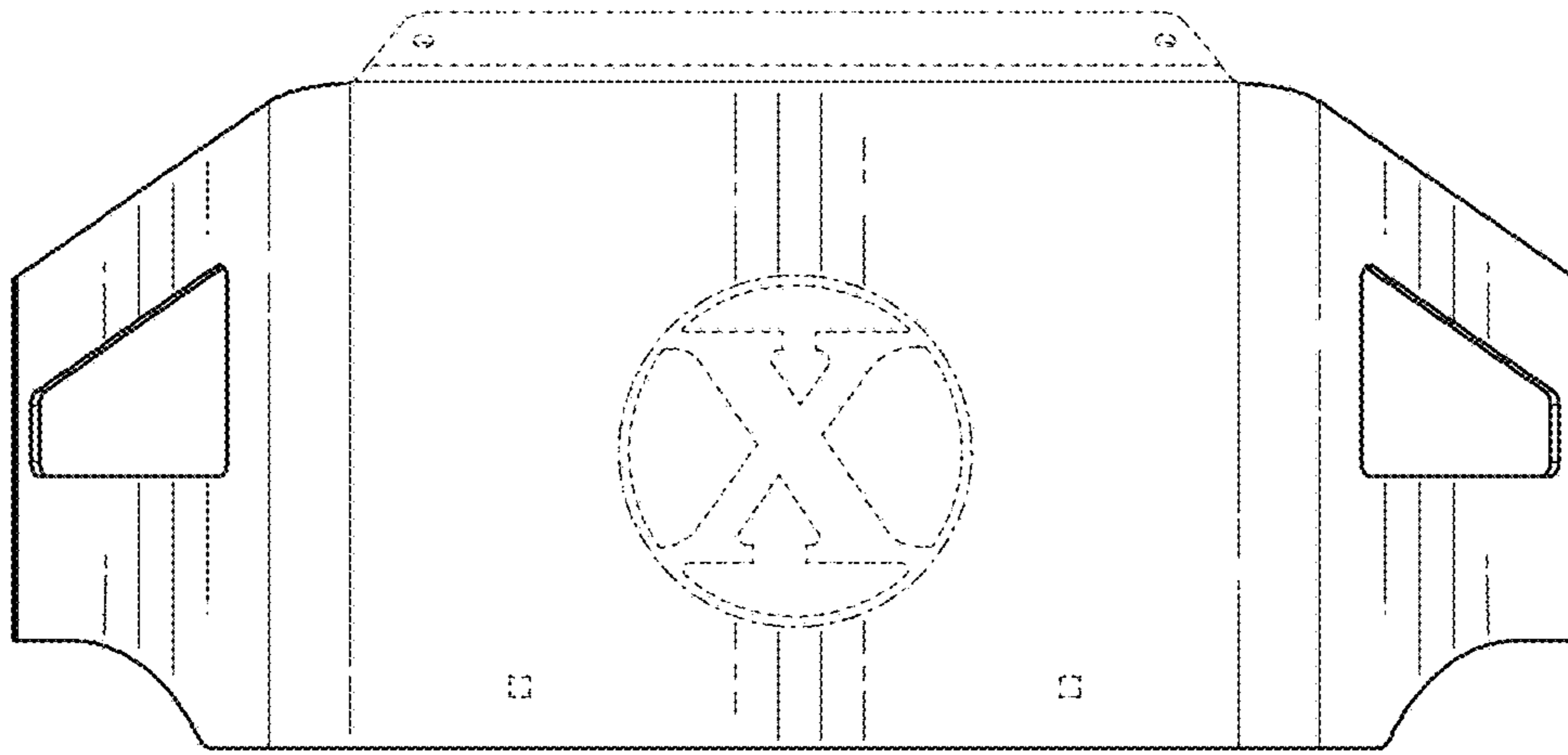


FIG. 3

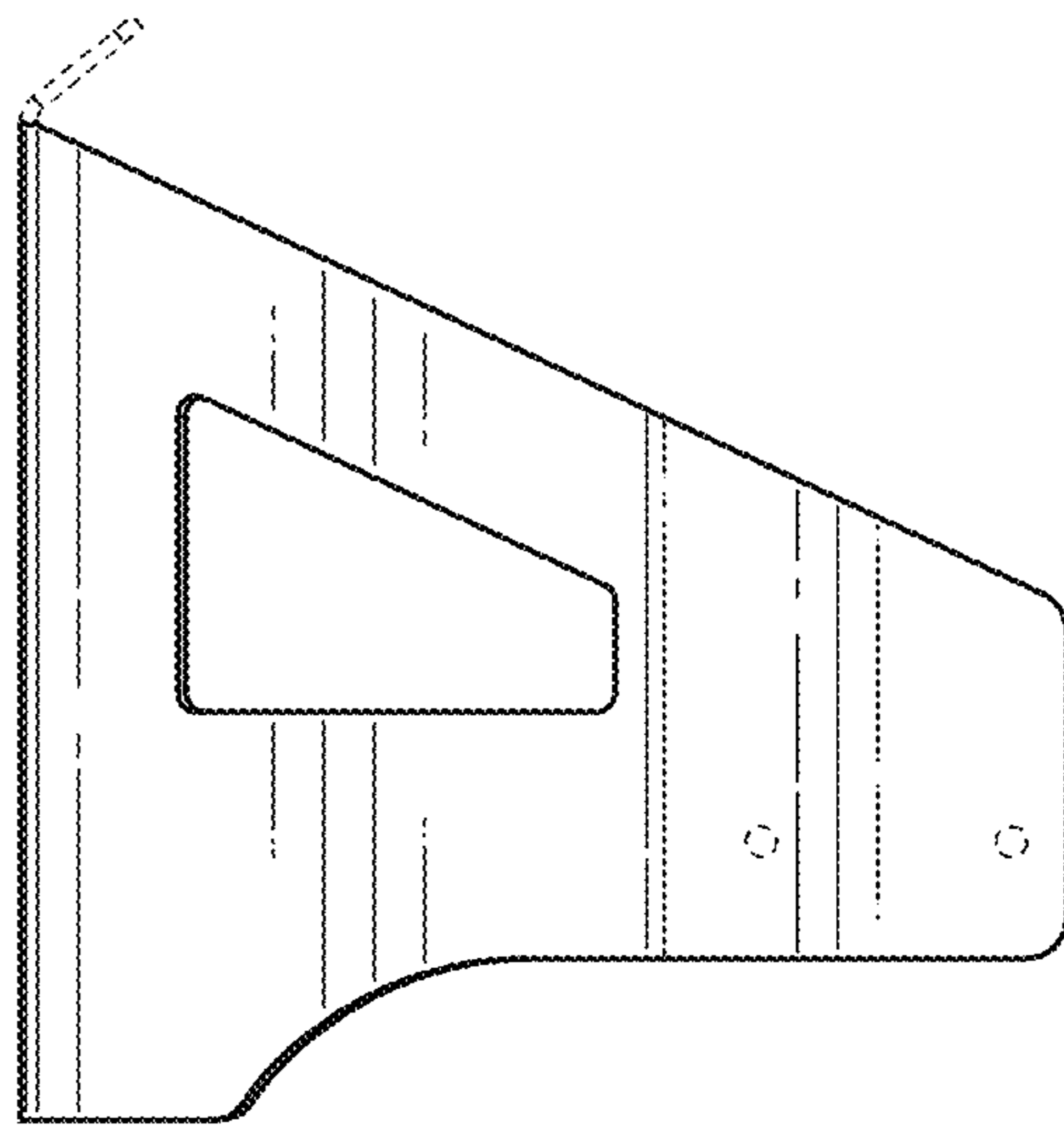


FIG. 4

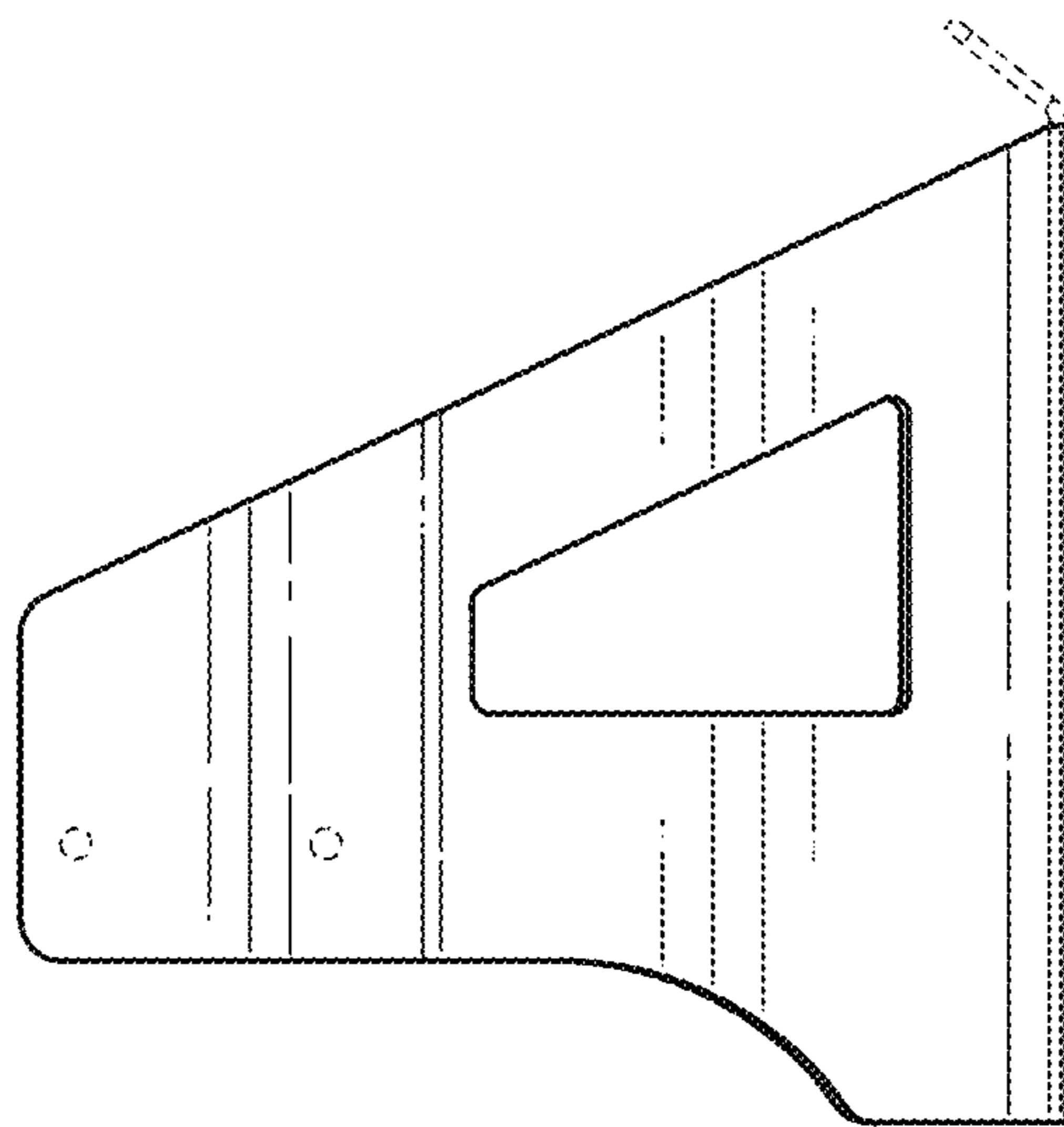


FIG. 5

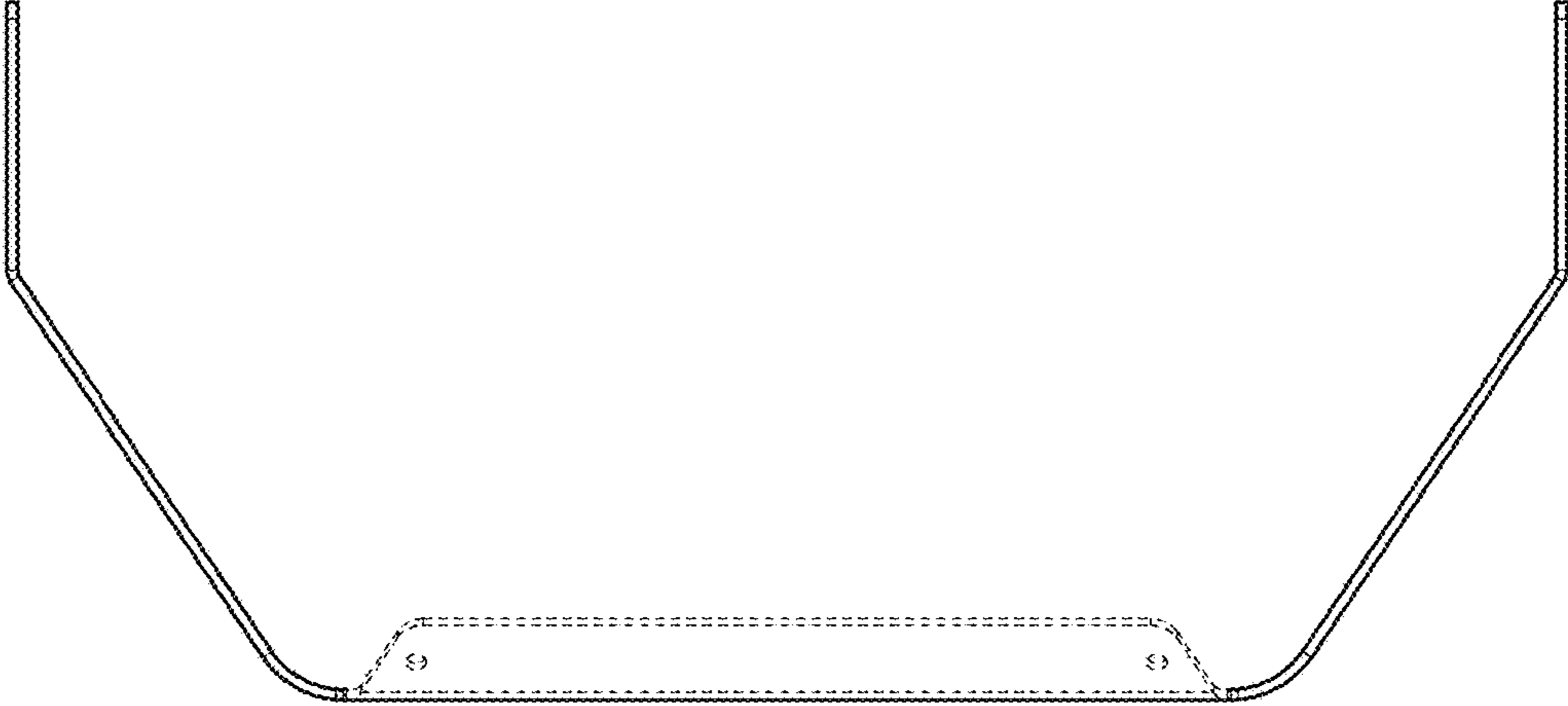


FIG. 6

UNITED STATES PATENT AND TRADEMARK OFFICE
CERTIFICATE OF CORRECTION

PATENT NO. : D793,455 S
APPLICATION NO. : 29/565915
DATED : August 1, 2017
INVENTOR(S) : Atterbury et al.

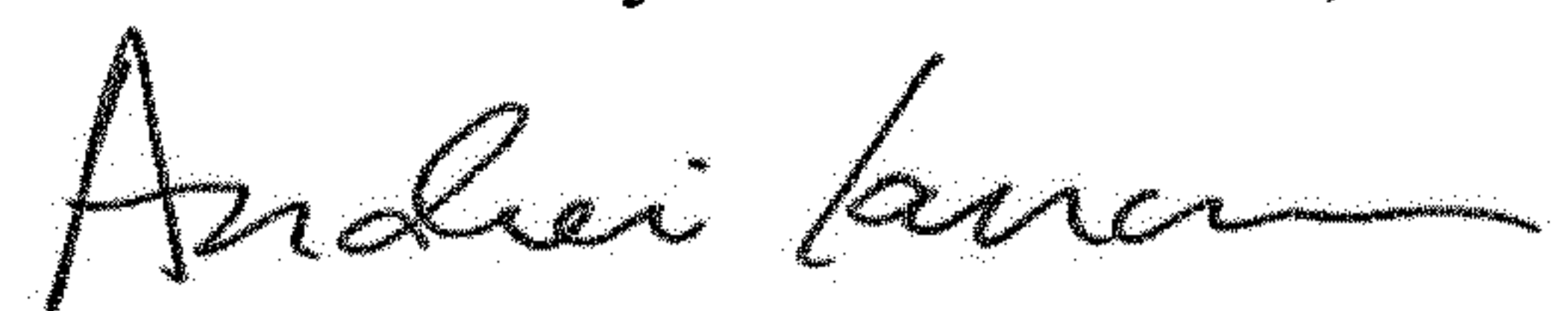
Page 1 of 1

It is certified that error appears in the above-identified patent and that said Letters Patent is hereby corrected as shown below:

On the Title Page

Item [72] Inventors, please add --Gary L. Nicholson, Beatrice, NE (US)-- as a named inventor.

Signed and Sealed this
Thirteenth Day of November, 2018



Andrei Iancu
Director of the United States Patent and Trademark Office