



US00D793454S

(12) **United States Design Patent** (10) **Patent No.:** **US D793,454 S**
Perez (45) **Date of Patent:** **** Aug. 1, 2017**

(54) **PUMP COVER**

(71) Applicant: **Antonio Perez**, Clifton, NJ (US)

(72) Inventor: **Antonio Perez**, Clifton, NJ (US)

(**) Term: **15 Years**

(21) Appl. No.: **29/544,518**

(22) Filed: **Nov. 4, 2015**

(51) **LOC (10) Cl.** **15-02**

(52) **U.S. Cl.**
USPC **D15/7**

(58) **Field of Classification Search**
USPC D15/7-9; D23/231, 232, 225; 417/60,
417/235, 265, 321, 355, 358, 363, 359,
417/410.1, 415-416, 405, 900; 60/408,
60/412; 184/26-37; 415/140-147;
123/495, 509; 137/565.34
CPC F02M 37/04; F02M 37/14
See application file for complete search history.

(56) **References Cited**

U.S. PATENT DOCUMENTS

- 3,695,173 A 10/1972 Cox
- D237,011 S * 9/1975 Stroberg et al. D15/7
- 3,972,647 A 8/1976 Niedermeyer
- 4,330,306 A 5/1982 Salant
- 4,861,472 A 8/1989 Weis
- 5,011,600 A 4/1991 Mowka, Jr. et al.
- 5,030,346 A 7/1991 McEwen
- 5,085,771 A 2/1992 Huang
- 5,141,650 A 8/1992 Cavo
- D329,650 S * 9/1992 Whitley, II D15/7
- 5,154,584 A 10/1992 McEwen
- 5,160,039 A 11/1992 Colburn
- 5,215,656 A 6/1993 Stoneburger et al.
- 5,249,930 A 10/1993 Pacquesi
- 5,520,808 A 5/1996 Stoneburger et al.
- 5,702,607 A 12/1997 Lawson
- 5,759,393 A 6/1998 Nurse, Jr.

- 5,807,480 A 9/1998 Kanazawa
- 5,815,544 A 9/1998 Lefter
- D401,944 S * 12/1998 Campbell D15/7
- 6,551,508 B1 4/2003 Bovington
- 6,793,813 B1 9/2004 Ethridge
- D499,429 S * 12/2004 Leasure D15/9
- 6,843,910 B1 1/2005 Thomas
- 6,869,530 B1 3/2005 Venezia
- 6,875,364 B2 4/2005 Gordon

(Continued)

FOREIGN PATENT DOCUMENTS

- CA 1327482 7/1991
- CN 2338331 Y 9/1999

(Continued)

OTHER PUBLICATIONS

EP Application No. 11 775 692.4 Perez, Antonio; EPO Search Report, Oct. 1, 2013.

(Continued)

Primary Examiner — Ralf Seifert

(74) *Attorney, Agent, or Firm* — Gearhart Law LLC

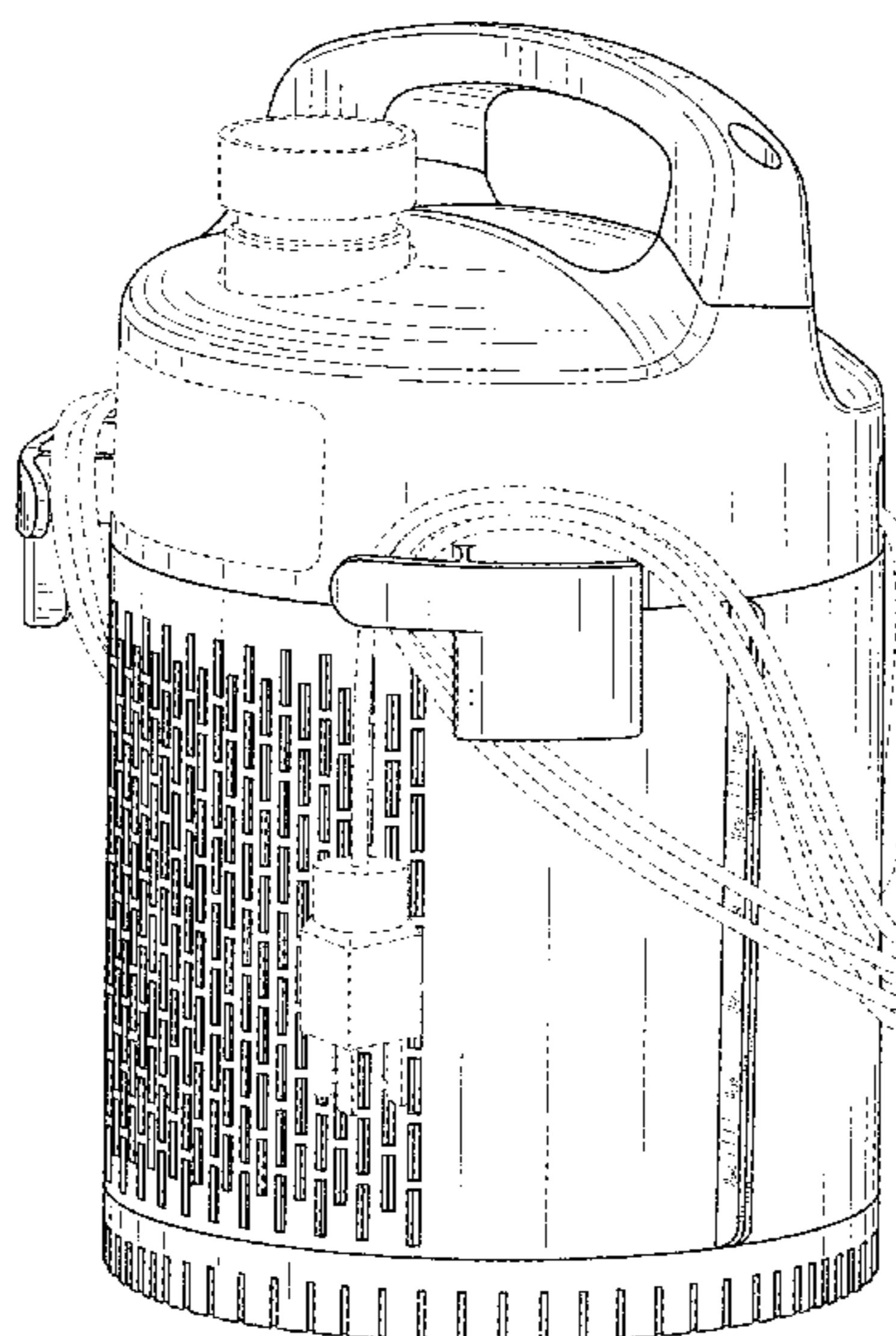
(57) **CLAIM**

The ornamental design for a pump cover, as shown and described.

DESCRIPTION

FIG. 1 is a perspective view of the pump cover.
FIG. 2 is a front view as shown in FIG. 1.
FIG. 3 is a back view as shown in FIG. 1.
FIG. 4 is a left side view as shown in FIG. 1.
FIG. 5 is a right side view as shown in FIG. 1.
FIG. 6 is a top view as shown in FIG. 1; and,
FIG. 7 is a bottom view as shown in FIG. 1.
The broken lines contained herein are for illustrative purposes only and form no part of the claimed design.

1 Claim, 6 Drawing Sheets



(56)

References Cited

U.S. PATENT DOCUMENTS

7,101,420	B1	9/2006	Ellis	
D541,818	S *	5/2007	Rhea	D15/7
7,241,382	B2	7/2007	Gordon	
7,347,933	B2	3/2008	Berry, III	
D565,600	S *	4/2008	Tazioli	D15/7
7,585,408	B2	9/2009	Weindorf et al.	
D605,663	S *	12/2009	Hopper	D15/7
D644,250	S *	8/2011	Barber	D15/7
D649,163	S *	11/2011	Moormann	D15/7
D708,648	S *	7/2014	Orsini	D15/7
2005/0263450	A1	12/2005	McGrew, Jr.	
2006/0064825	A1	3/2006	Reed	
2009/0183785	A1	7/2009	Cole et al.	

FOREIGN PATENT DOCUMENTS

CN	2659957	Y	12/2004
JP	55011061		1/1980
JP	62033509		2/1987
JP	63194708		8/1988
JP	03101886		4/1991
JP	06276891		10/1994
JP	2003080010		3/2003
JP	2003080243		3/2003
JP	2007061748		3/2007

WO	WO 94/13380	A1	6/1994
WO	WO 03/064106	A1	8/2003
WO	WO 2004000437	A1	12/2003
WO	WO 2007/040421	A1	4/2007
WO	WO 2007/098059	A2	8/2007
WO	WO 2007/098059	A3	8/2007

OTHER PUBLICATIONS

EP Application No. 11 775 692.4; Supplementary European Search Report, Munich, Sep. 24, 2013.

PCT/US2011/034161; Perez, Antonio; PCT International Search Report and Written Opinion Feb. 29, 2012.

PCT International Preliminary Report on Patentability; PCT/US2011/034161 Nov. 15, 2012.

Ebay, Hidropoint, Stainless Steel Waterfall Pump ½HP 115 V 400 GPH—HPSSWF4000, www.ebay.com/itm/Stainless-Steel-Waterfall-Pump-1-2HP-115V-4000-GPH-HPSS, Sep. 28, 2013. eBay Inc.

Lowe's Companies, Inc., Utilitech ½ HP Waterfall Pump, www.lowes.com/pd/41844-15649-PPWF33 0, Oct. 19 and 23, 2011.

Utilitech, Utilitech Submersible Waterfall Pump Model #PWF33 Product Instruction Book, pp. 1-10, LF,LLC.; retrieved Sep. 2012.

Ebay, Hidropoint, Stainless Steel Waterfall Pump ½HP 115 V 400 GPH—HPSSWF4000, www.ebay.in/itm/ws/eBayISAPI.dllStainless-Steel-Waterfall-Pump-1-2HP-115V-4000-GPH-HPSS, Dec. 2, 2012, eBay Inc.

* cited by examiner

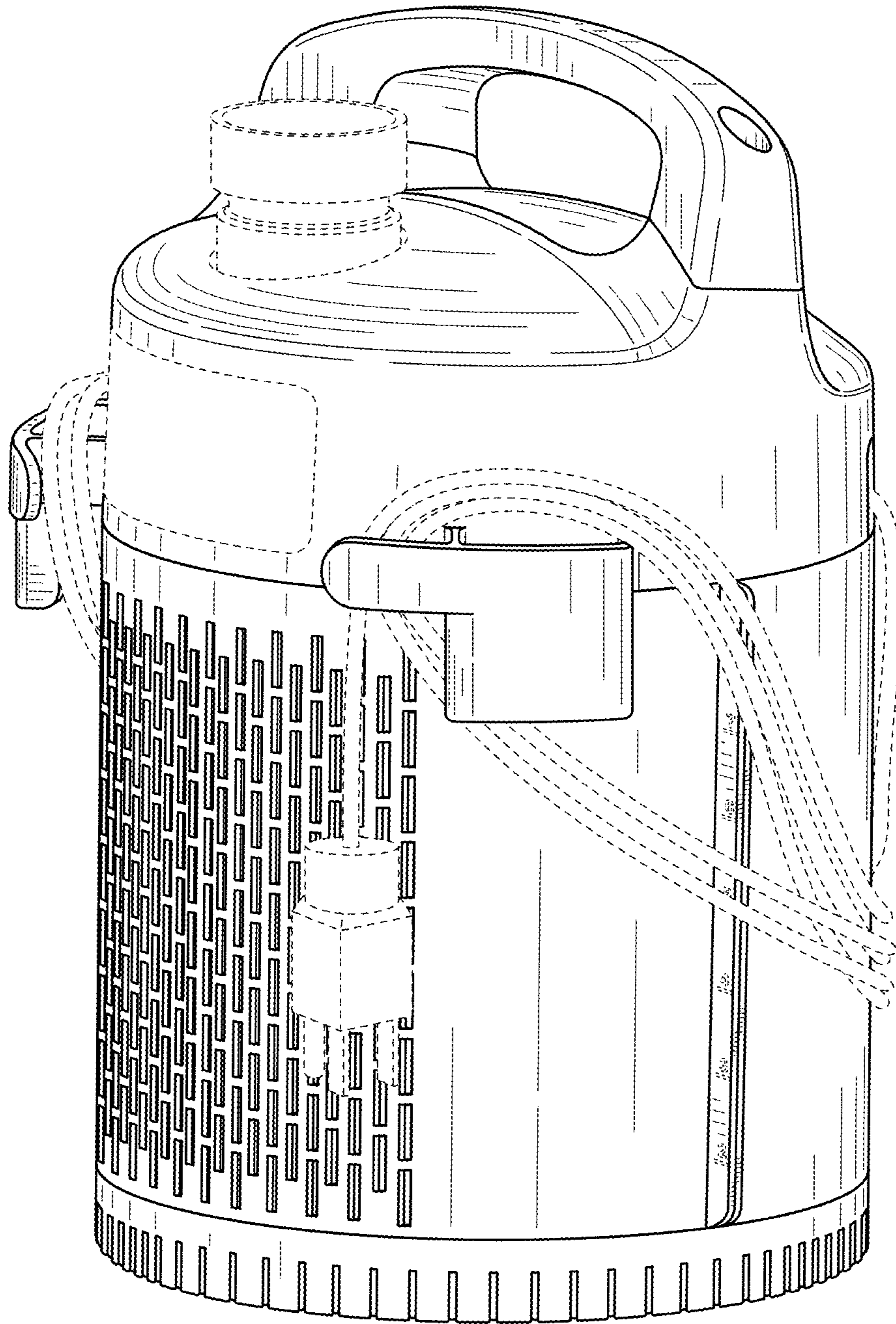


FIG. 1

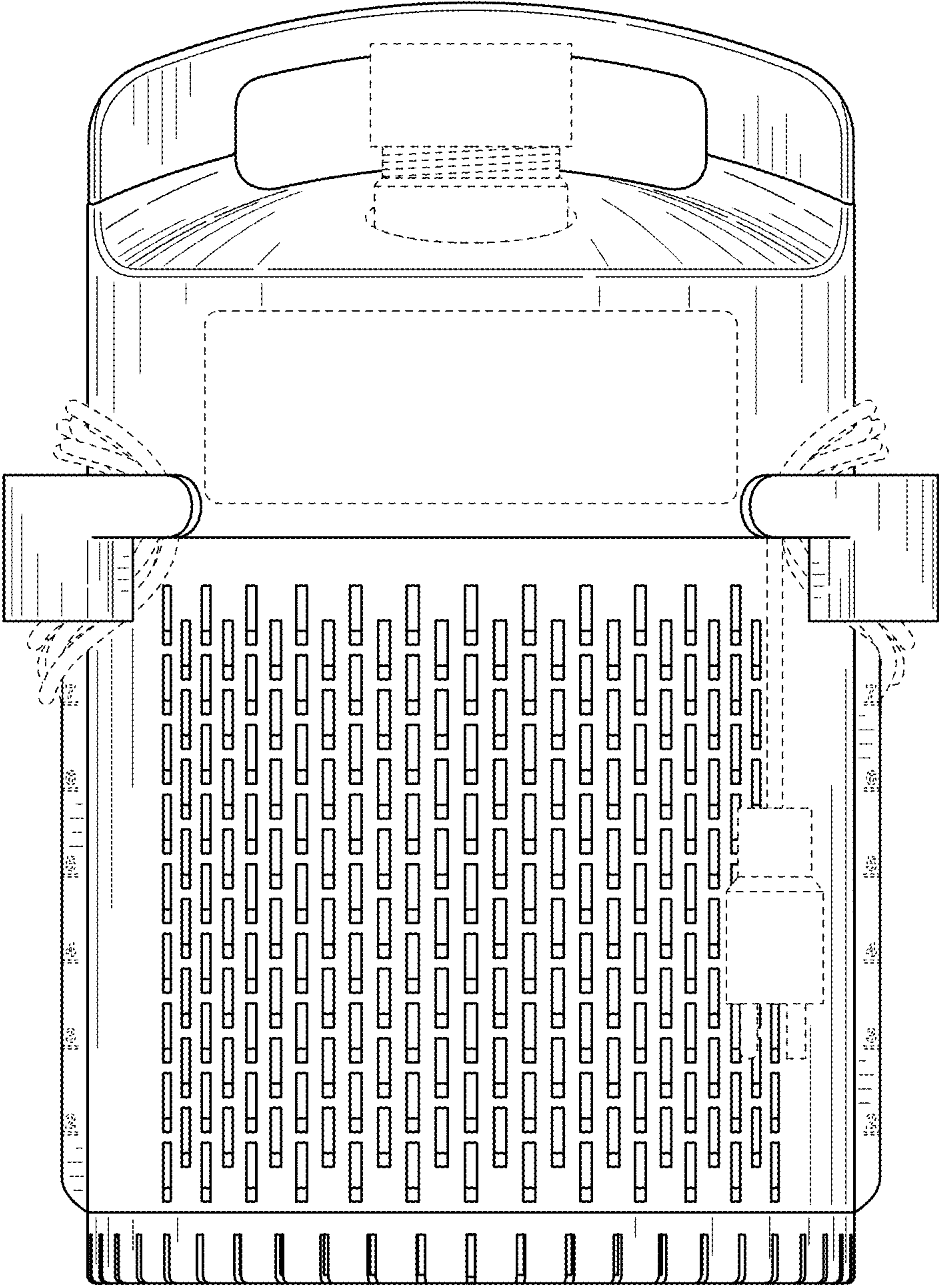


FIG. 2

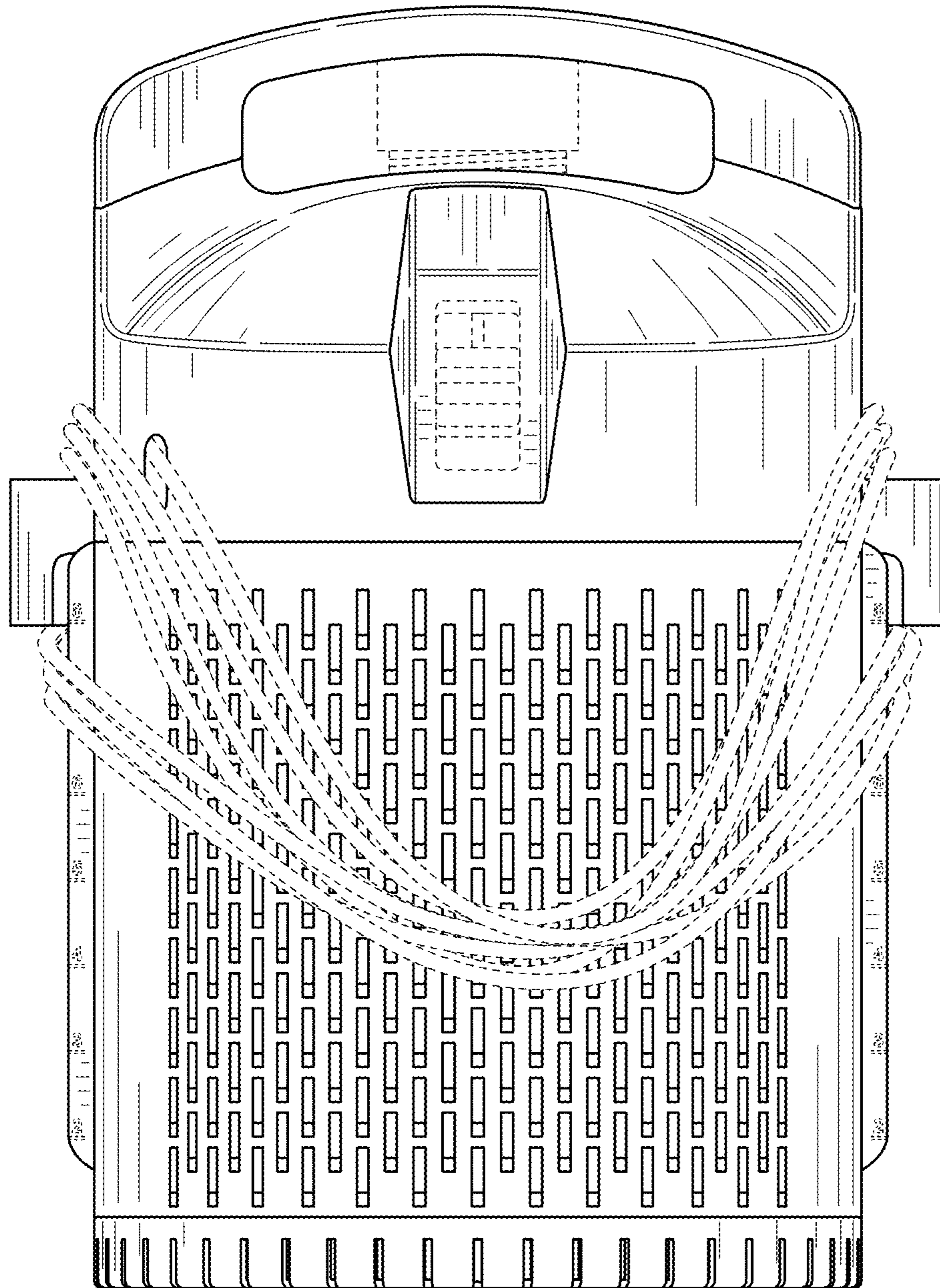


FIG. 3

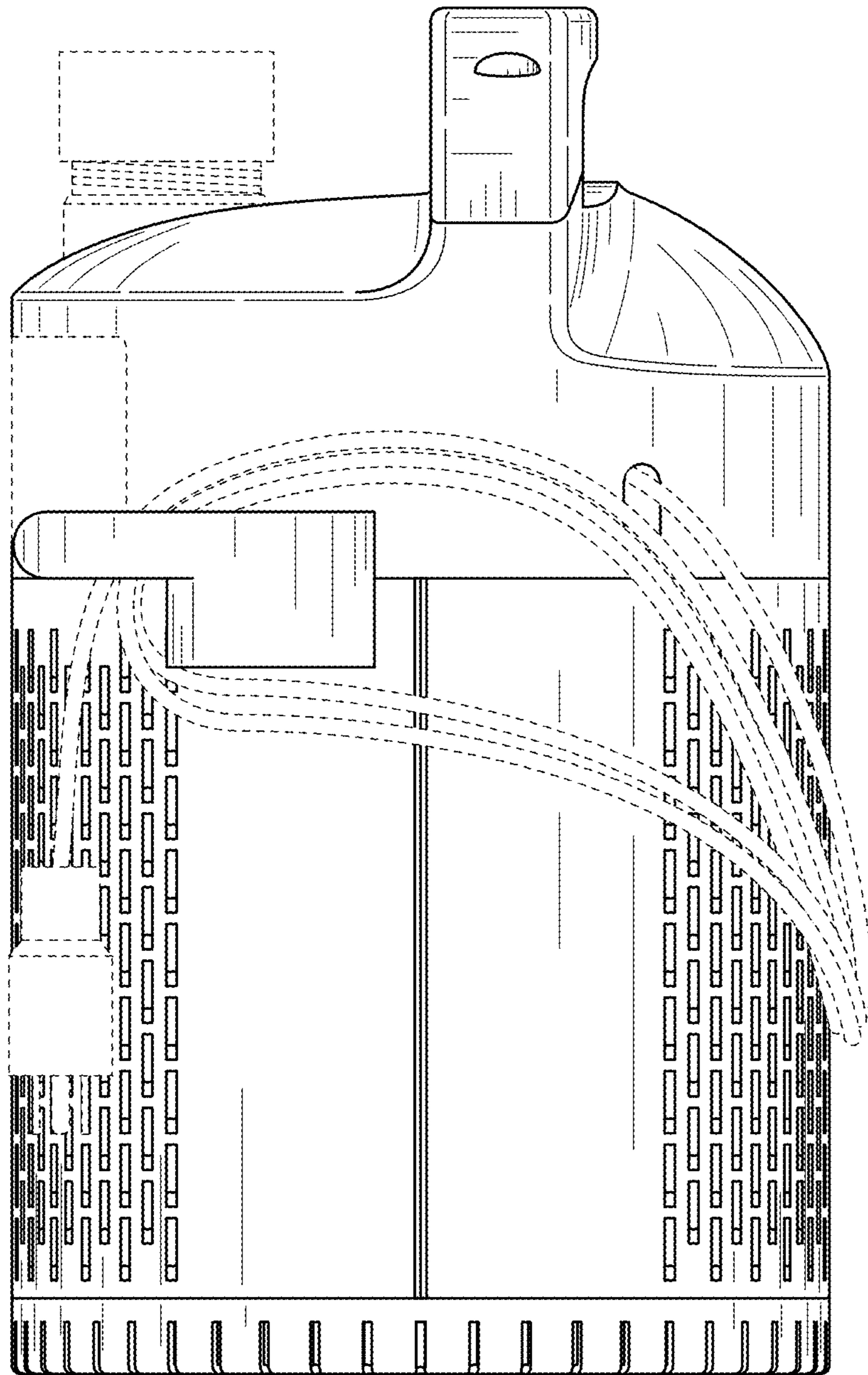


FIG. 4

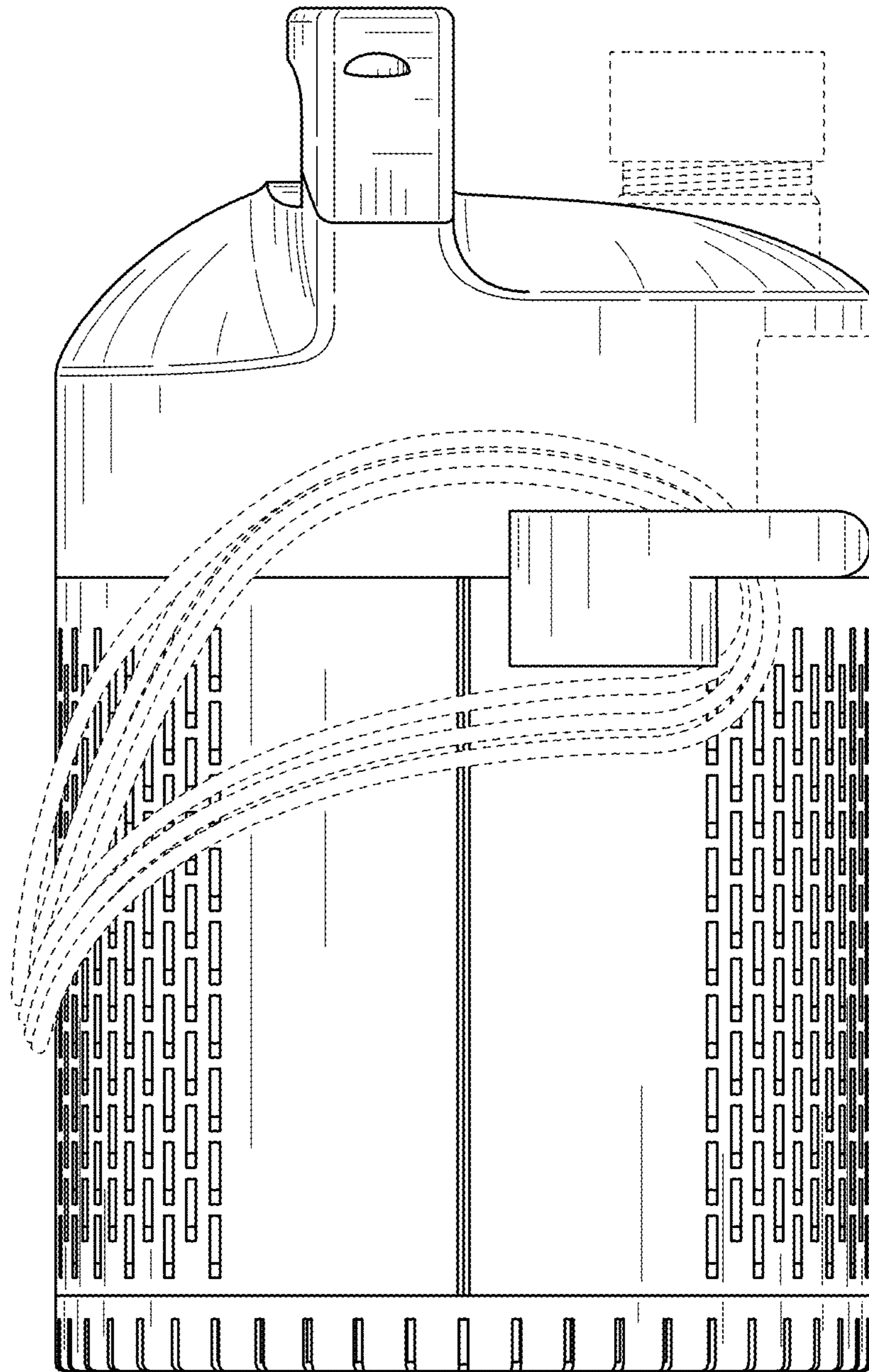


FIG. 5

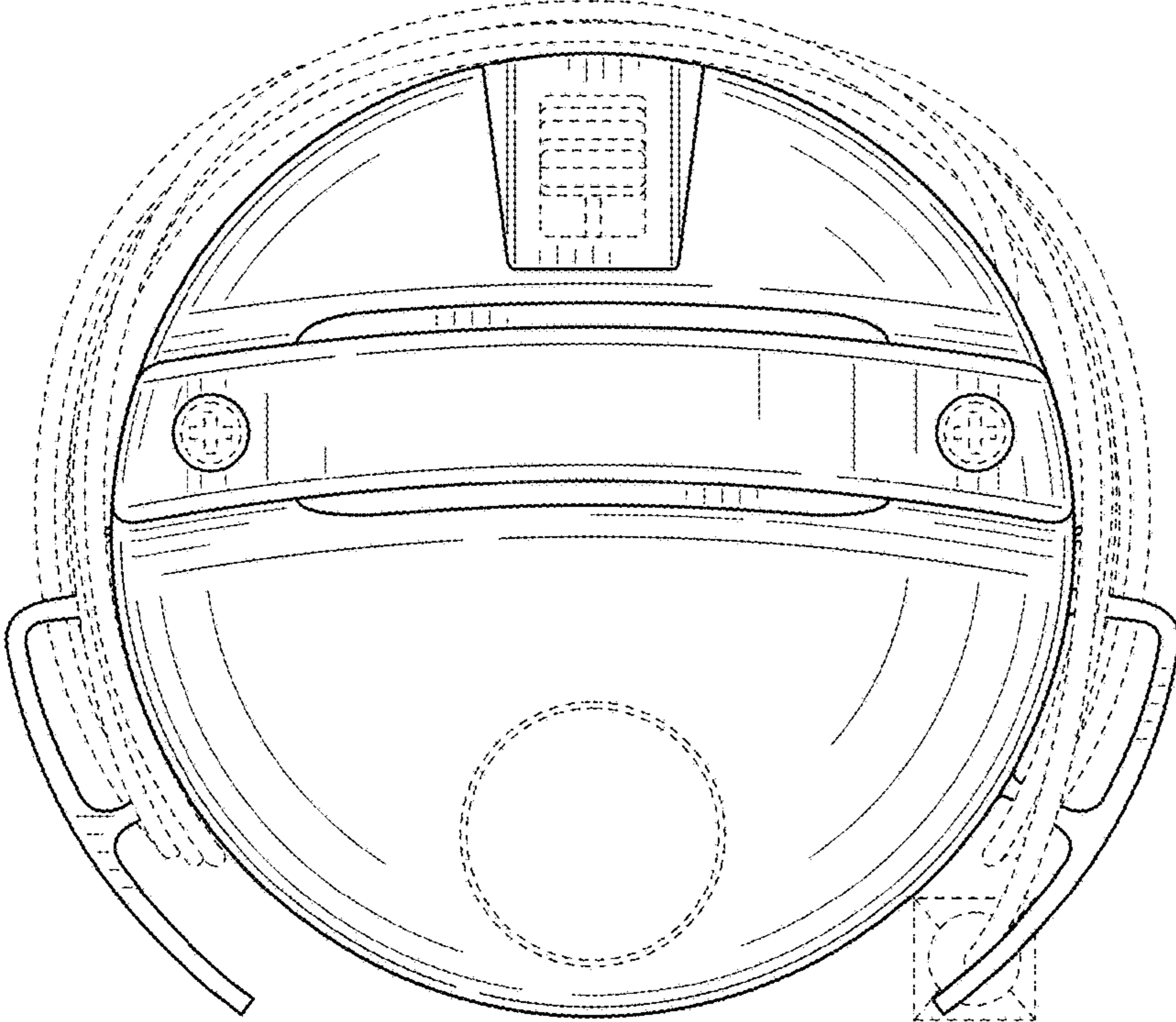


FIG. 6

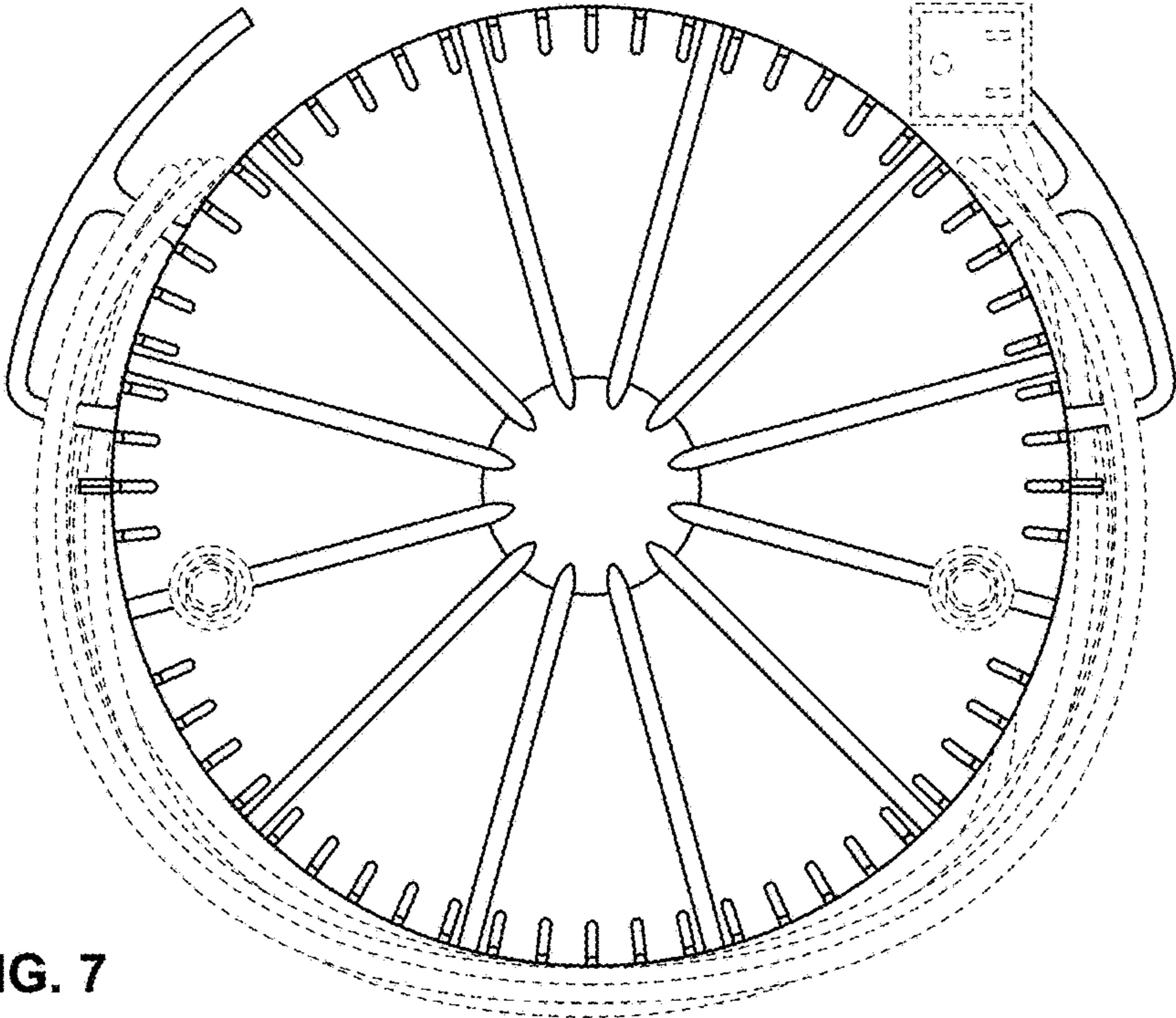


FIG. 7