



US00D793428S

(12) **United States Design Patent**
Omata

(10) **Patent No.:** **US D793,428 S**

(45) **Date of Patent:** **** Aug. 1, 2017**

(54) **DISPLAY SCREEN FOR DIGITAL CAMERA WITH GRAPHICAL USER INTERFACE**

2015/0129517 A1* 5/2015 Wildes F24J 2/5245
211/41.1

(71) Applicant: **FUJIFILM Corporation**, Tokyo (JP)

* cited by examiner

(72) Inventor: **Takeharu Omata**, Tokyo (JP)

Primary Examiner — Barbara Fox

(73) Assignee: **FUJIFILM Corporation**, Tokyo (JP)

Assistant Examiner — Kristin E Reed

(**) Term: **14 Years**

(74) *Attorney, Agent, or Firm* — Sughrue Mion, PLLC

(21) Appl. No.: **29/517,971**

(57) **CLAIM**

(22) Filed: **Feb. 19, 2015**

The ornamental design for a display screen for digital camera with graphical user interface, as shown and described.

(30) **Foreign Application Priority Data**

DESCRIPTION

Aug. 19, 2014 (JP) 2014-017972

(51) **LOC (10) Cl.** **14-04**

(52) **U.S. Cl.**
USPC **D14/489**

(58) **Field of Classification Search**
USPC D14/485–495
CPC H04N 1/00424; G06Q 50/01; H04L 51/32;
H04L 12/581; H04L 12/1813; G06F
3/0489; G06F 2203/04807; H04M 1/2477
See application file for complete search history.

FIG. 1 is a top, rear and left side perspective view of a display screen for a digital camera with graphical user interface showing my new design;
FIG. 2 is a front elevational view thereof;
FIG. 3 is a rear elevational view thereof;
FIG. 4 is a top plan view thereof;
FIG. 5 is a bottom plan view thereof;
FIG. 6 is a left side elevational view thereof;
FIG. 7 is a right side elevational view thereof;
FIG. 8 is an enlarged view of the display screen, shown separately from the camera;
FIG. 9 is an enlarged view of a portion defined between arrowheads 9-9 of FIG. 8; and,
FIG. 10 is a rear elevational view of the digital camera according to an embodiment in which camera information is displayed not only on the display screen but also within a viewfinder of the camera body.

(56) **References Cited**

U.S. PATENT DOCUMENTS

D400,870 S *	11/1998	Christensen	D14/489
D606,554 S *	12/2009	Kocmick	D14/492
D606,560 S *	12/2009	Kocmick	D14/494
D696,289 S *	12/2013	Kern	D14/488
D710,891 S *	8/2014	Hollobaugh	D14/490
D711,913 S *	8/2014	Francisco	D14/489
9,141,889 B2 *	9/2015	Katayama	H04N 1/6033
D741,368 S *	10/2015	Supino	D14/490
D741,902 S *	10/2015	Sakamoto	D14/489
D754,193 S *	4/2016	Chen	D14/489
D755,854 S *	5/2016	Quandt	D14/492
D763,882 S *	8/2016	Liang	D14/486

The broken line showing of a digital camera illustrate the environment. The remainder of the broken lines shown illustrate portions of the display screen for digital camera with graphical user interface. The broken lines form no part of the claimed design.

The dash-dot broken lines in FIG. 9 define the bounds of the claimed design and form no part thereof.

1 Claim, 10 Drawing Sheets

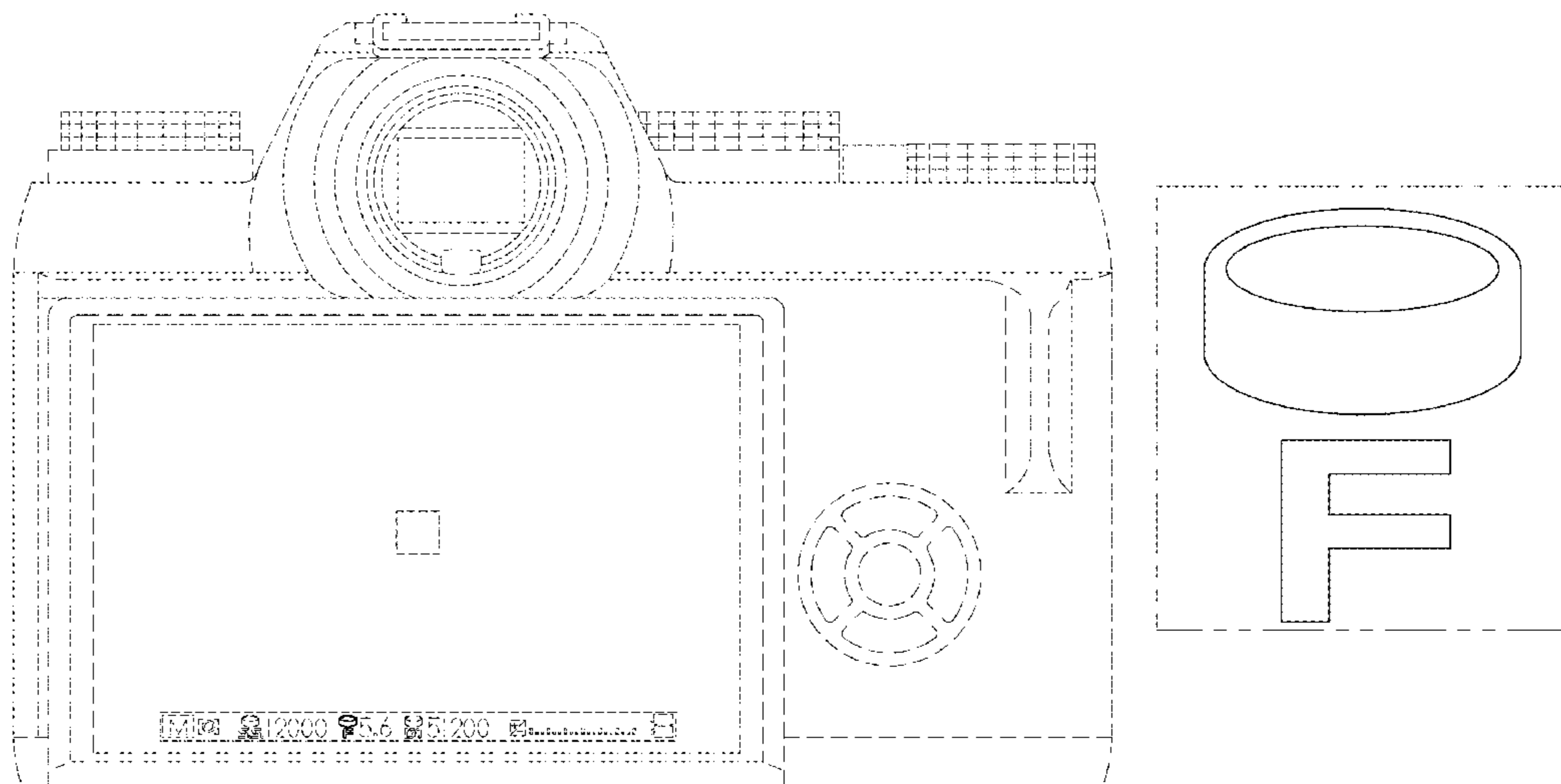


FIG. 1

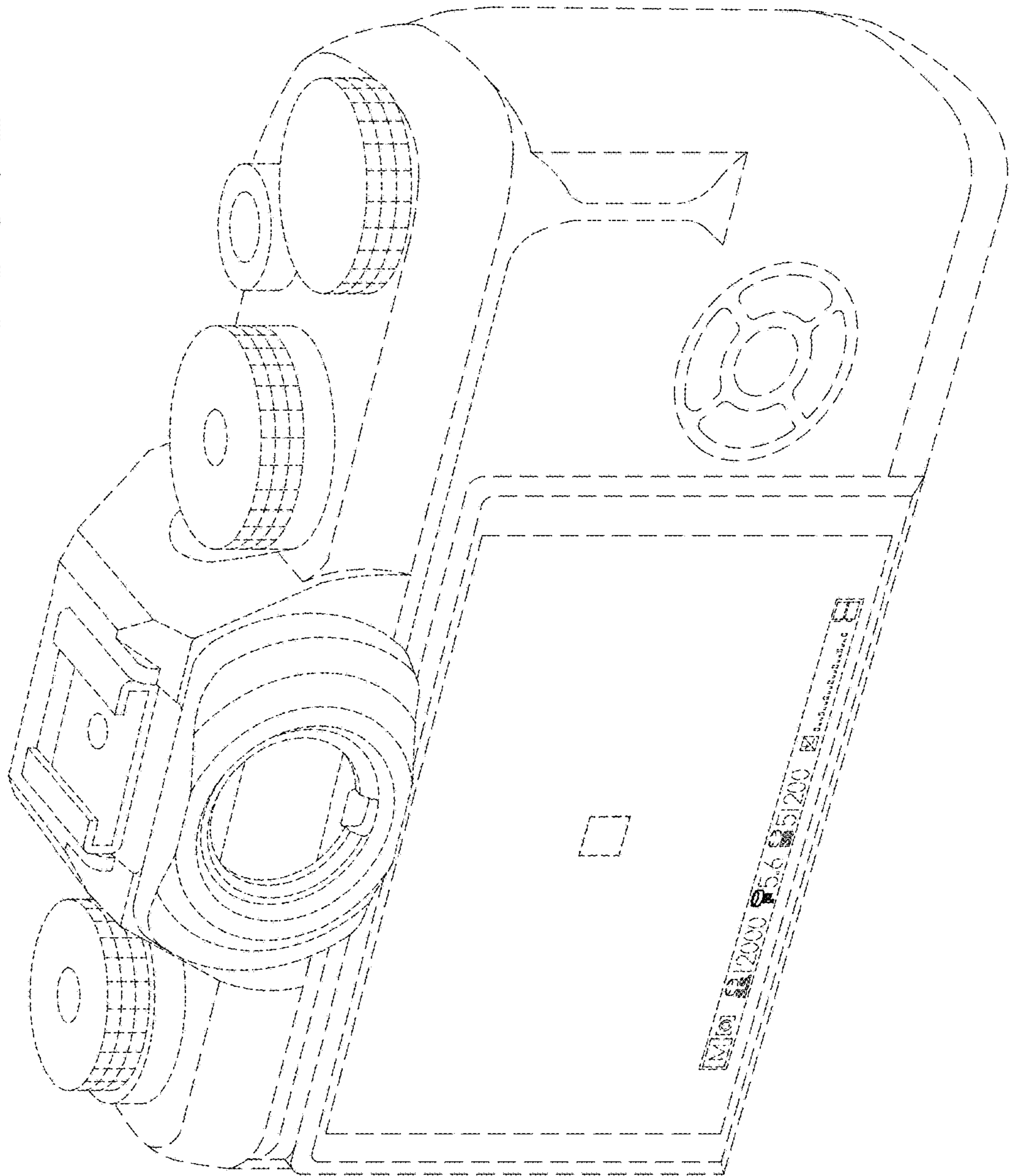


FIG. 2

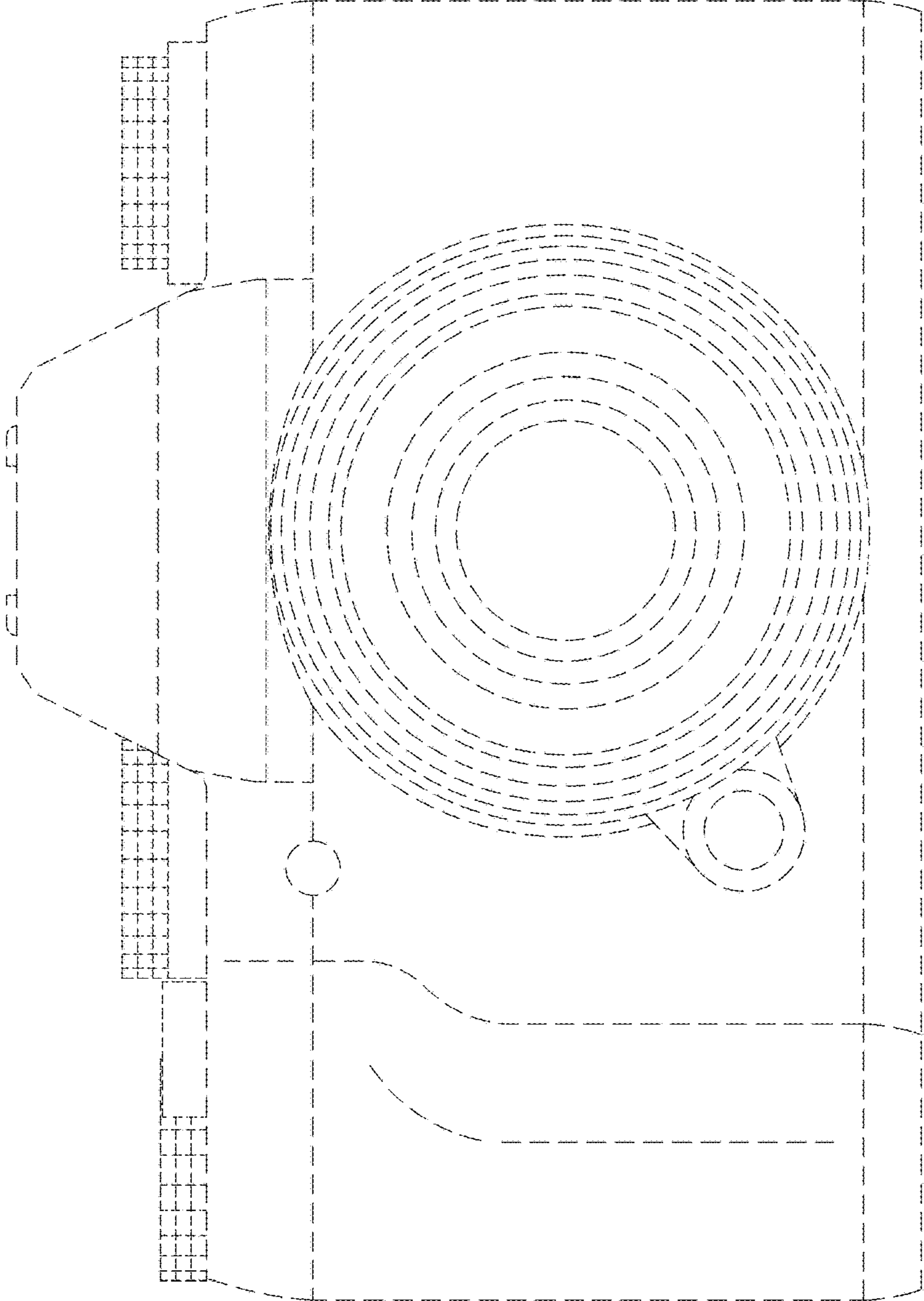


FIG. 3

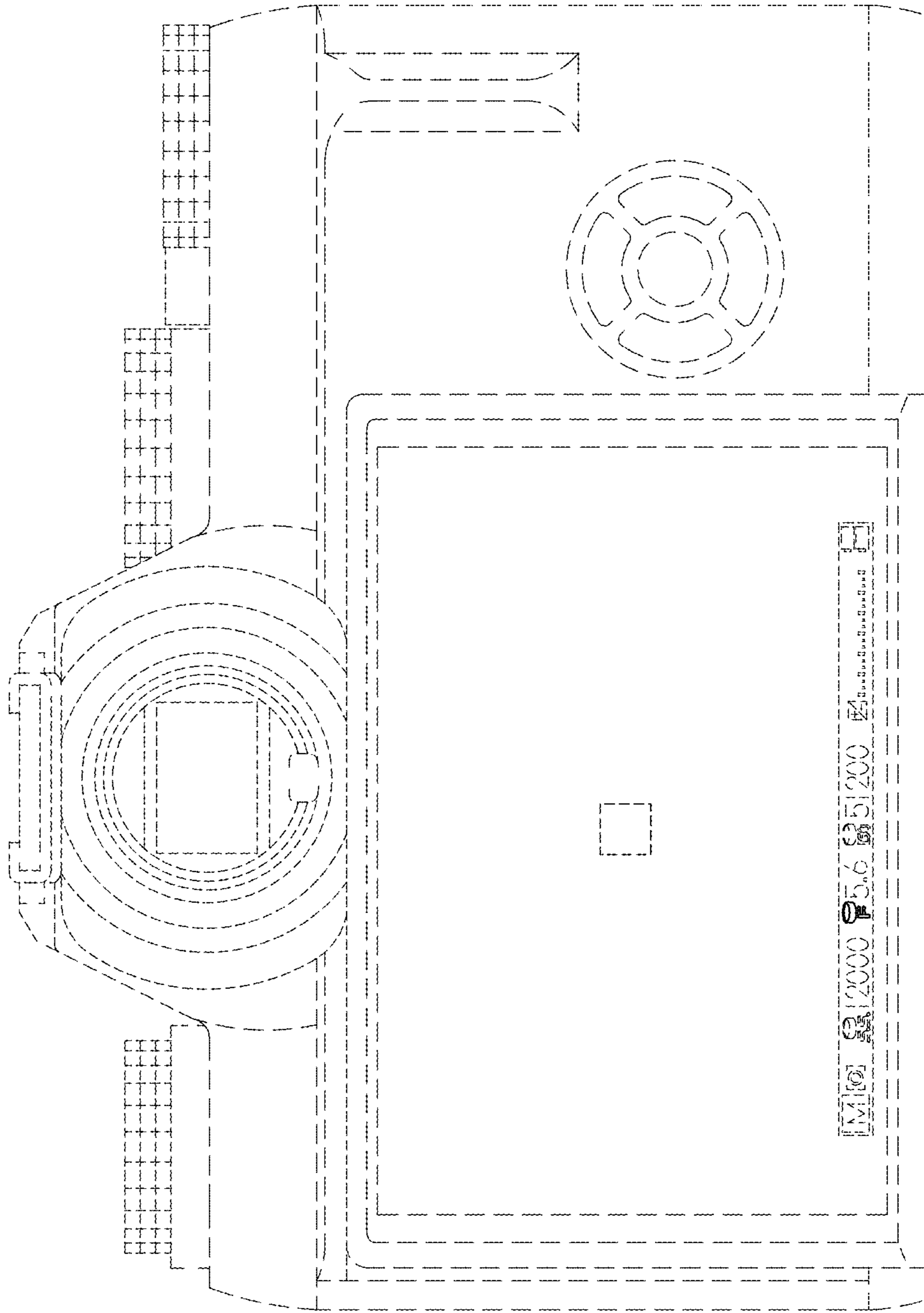


FIG. 4

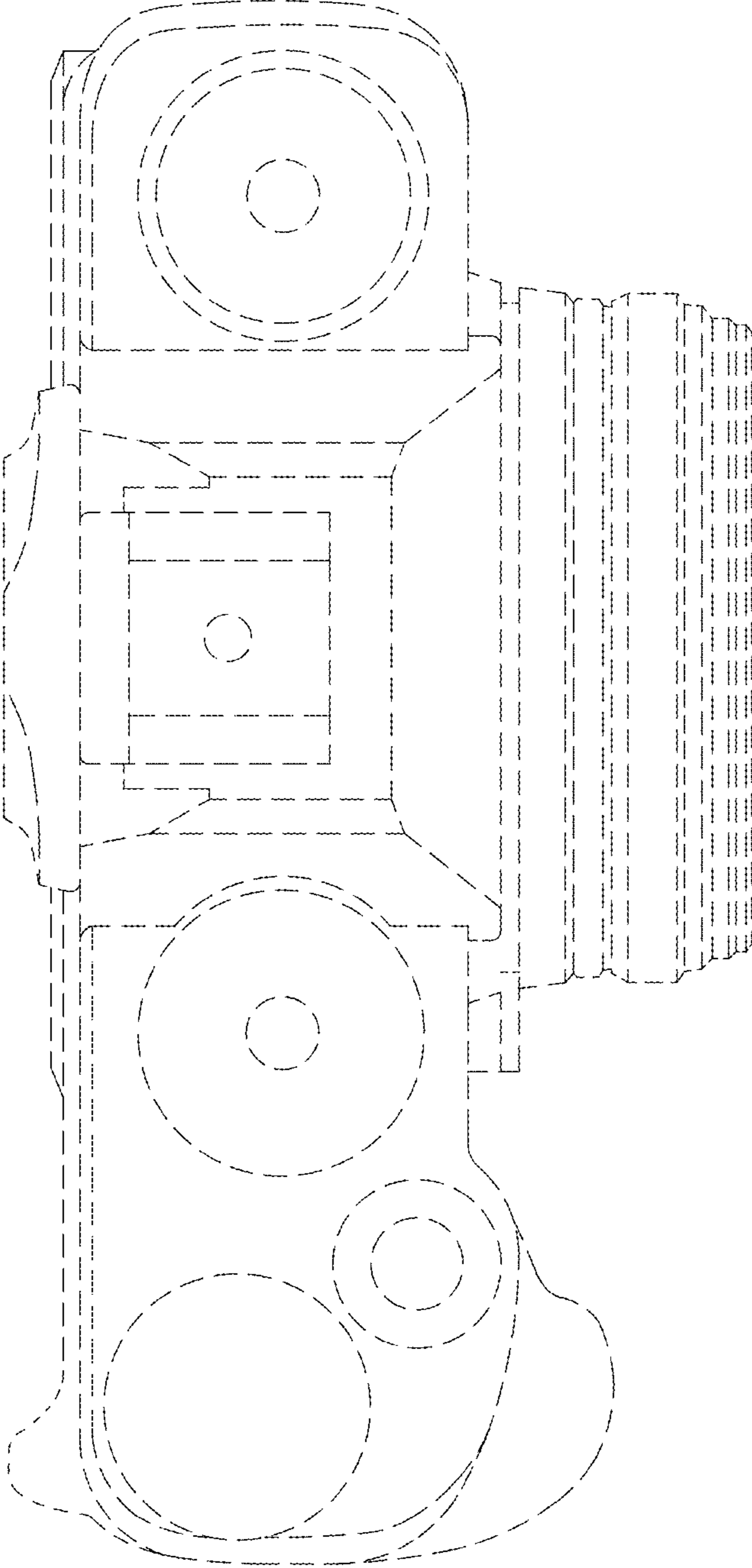


FIG. 5



FIG. 6

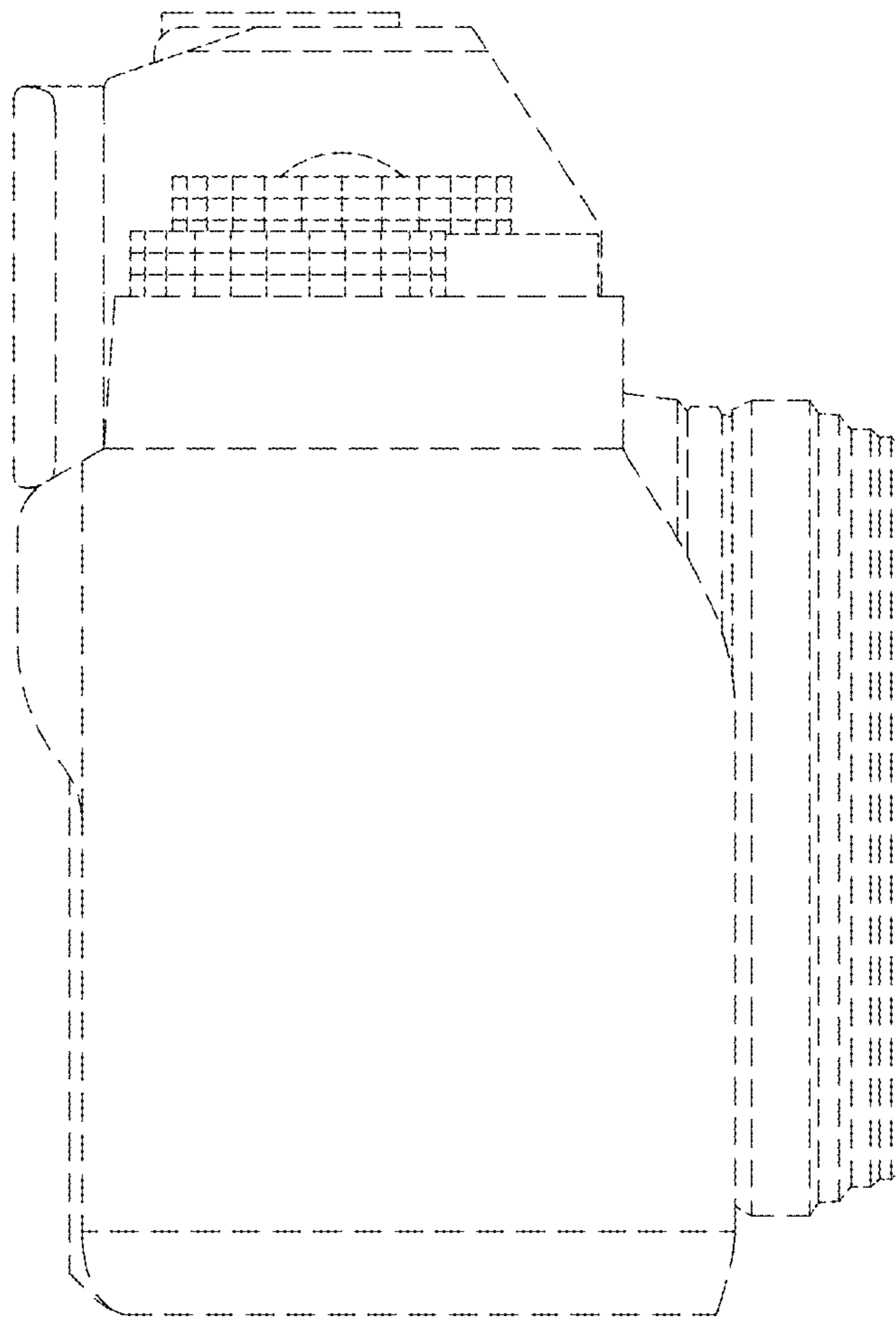


FIG. 7

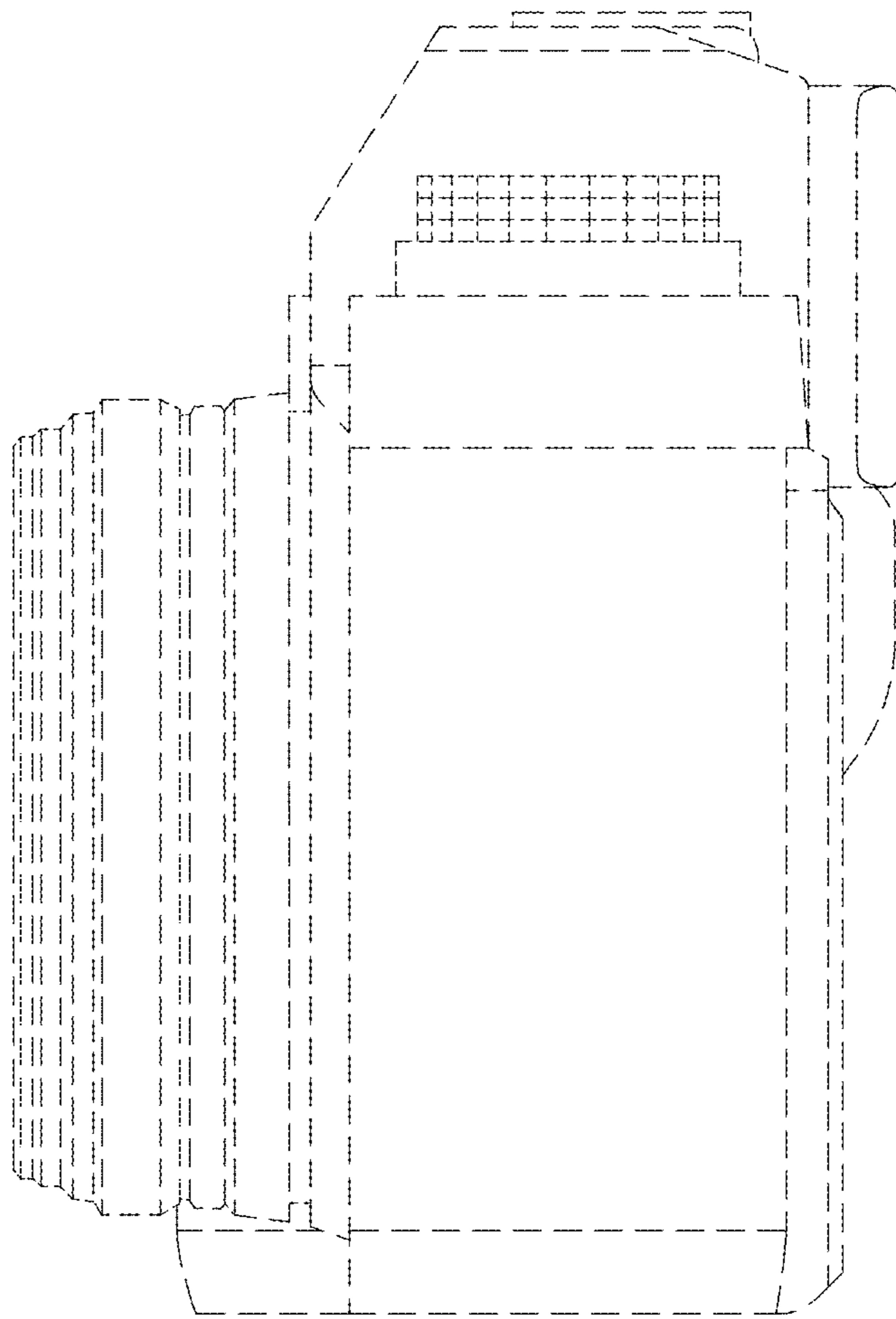


FIG. 8

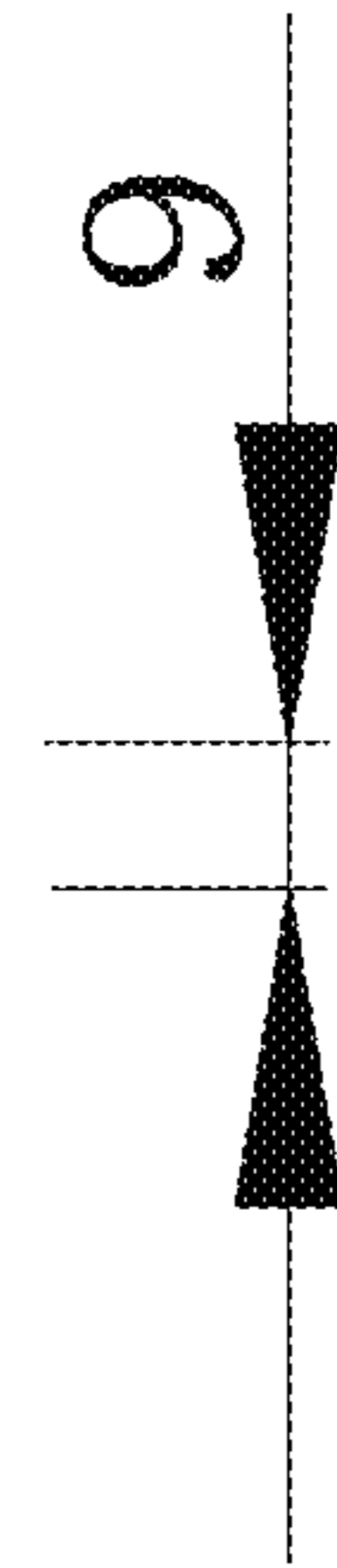
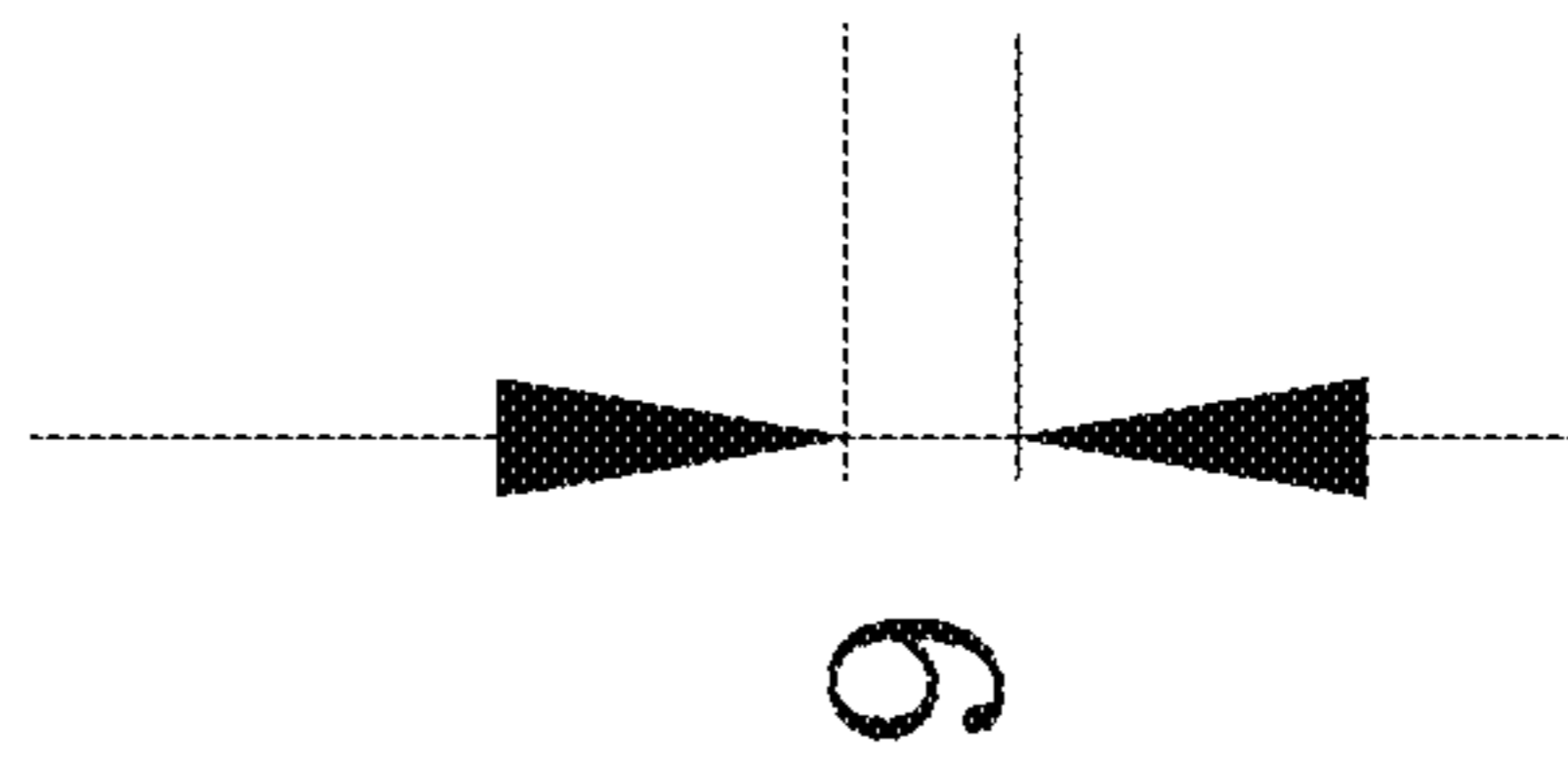
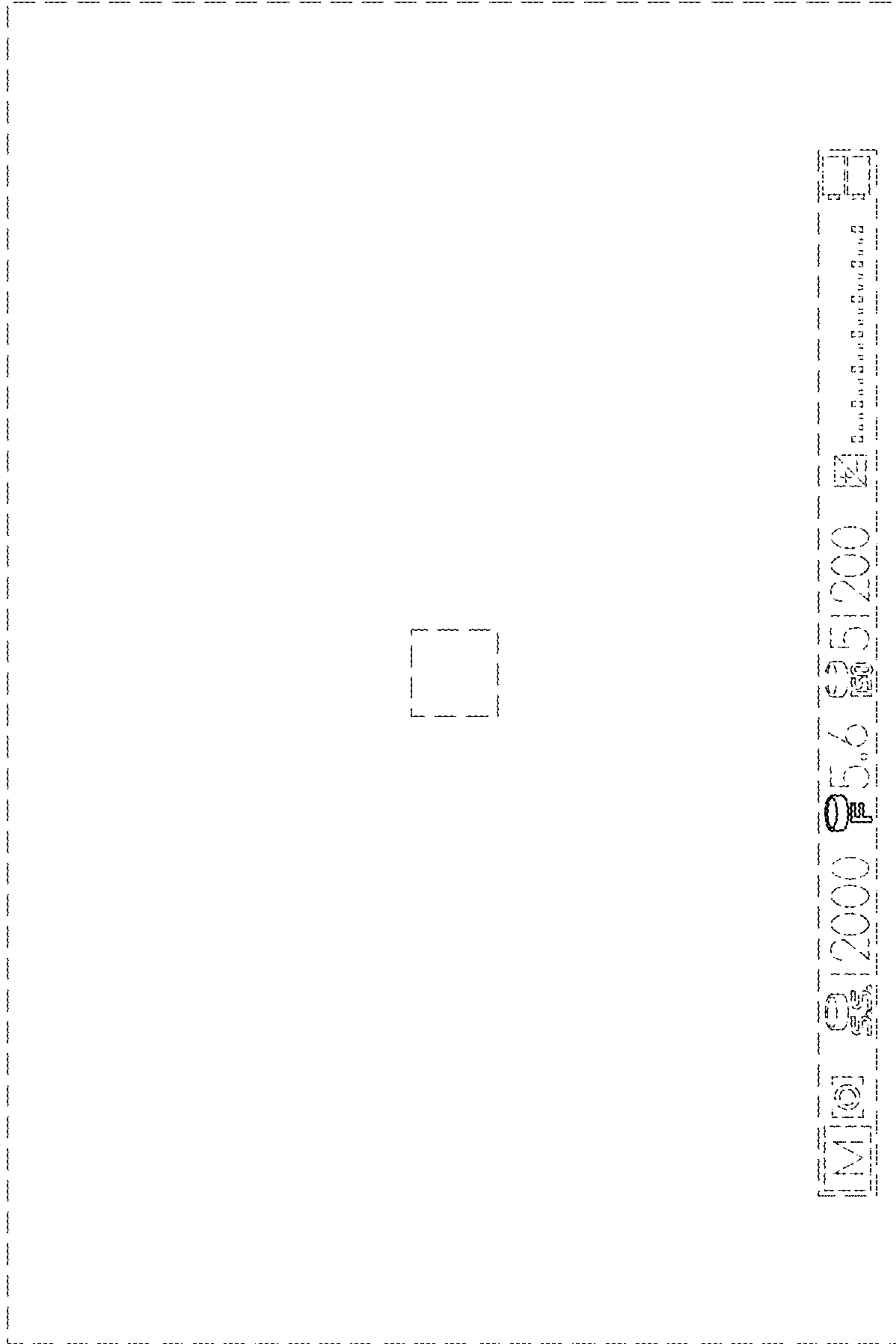


FIG. 9

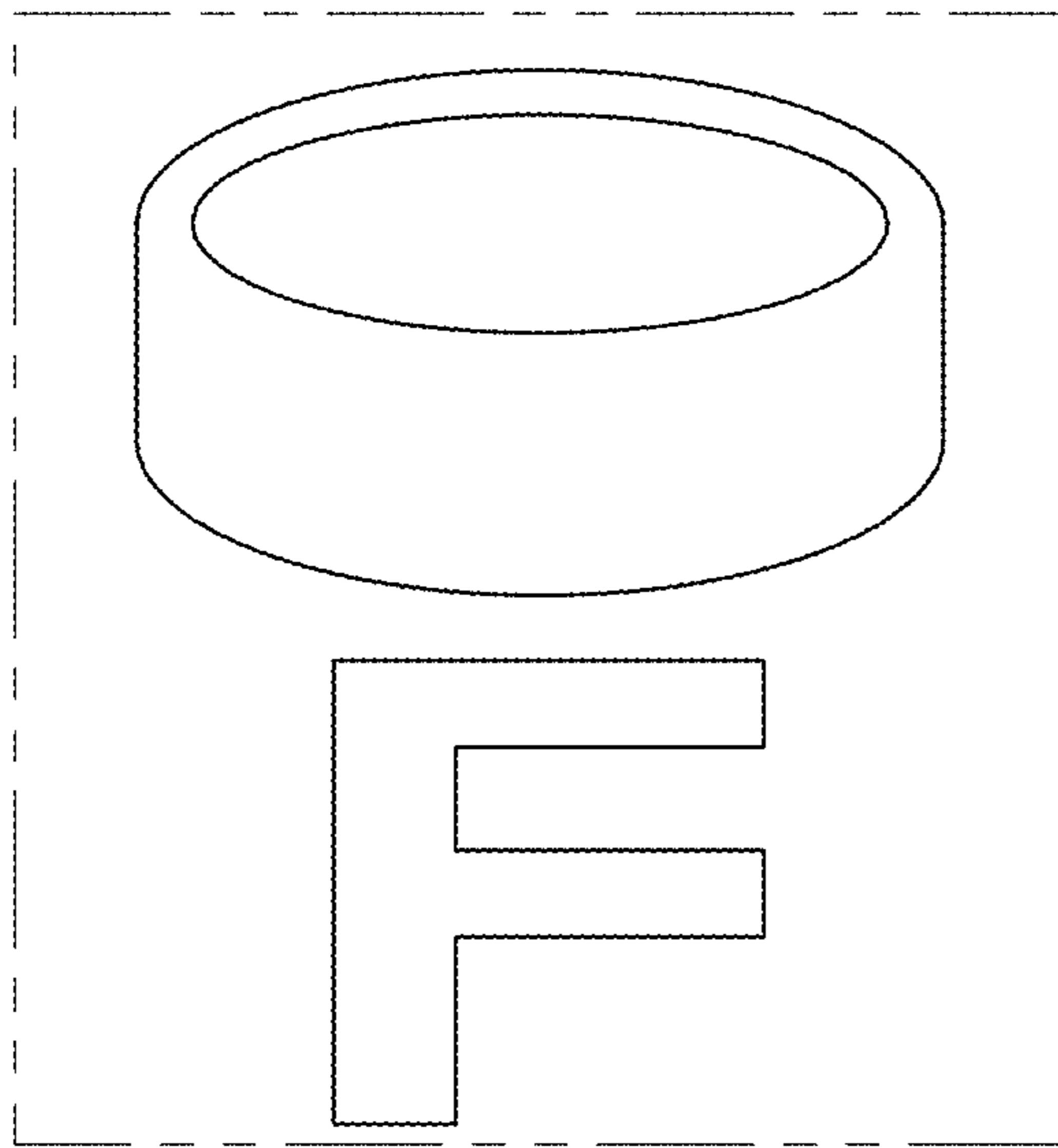


FIG. 10

