



US00D793413S

(12) **United States Design Patent** (10) **Patent No.:** **US D793,413 S**
Omata (45) **Date of Patent:** **** Aug. 1, 2017**

(54) **DISPLAY SCREEN FOR DIGITAL CAMERA WITH GRAPHICAL USER INTERFACE**

(71) Applicant: **FUJIFILM Corporation**, Tokyo (JP)

(72) Inventor: **Takeharu Omata**, Tokyo (JP)

(73) Assignee: **FUJIFILM Corporation**, Tokyo (JP)

(**) Term: **14 Years**

(21) Appl. No.: **29/517,965**

(22) Filed: **Feb. 19, 2015**

(30) **Foreign Application Priority Data**

Aug. 19, 2014 (JP) 2014-017973

(51) **LOC (10) Cl.** **14-04**

(52) **U.S. Cl.**
USPC **D14/486**

(58) **Field of Classification Search**
USPC D14/485–495
CPC H04N 1/00424; G06Q 50/01; H04L 51/32;
H04L 12/581; H04L 12/1813; G06F
3/0489; G06F 2203/04807; H04M 1/2477
See application file for complete search history.

(56) **References Cited**

U.S. PATENT DOCUMENTS

- 4,768,029 A * 8/1988 Burrows G09G 5/08
345/545
- D390,214 S * 2/1998 Miller D14/492
- 6,356,284 B1 * 3/2002 Manduley G06F 3/0483
715/779
- D548,242 S * 8/2007 Viegars D14/487
- D552,115 S * 10/2007 Suzuki D14/485
- D652,048 S * 1/2012 Joseph D14/485
- D687,063 S * 7/2013 Myung D14/489
- D711,419 S * 8/2014 Folken D14/487
- D734,773 S * 7/2015 Barbato D14/486

(Continued)

OTHER PUBLICATIONS

DCRP Review: Samsung NV7 OPS, posted Mar. 1, 2007, [retrieved Sep. 8, 2016]. Retrieved from Internet, <URL: http://www.dcresource.com/reviews/samsung/nv7-review/ >.*

(Continued)

Primary Examiner — Barbara Fox

Assistant Examiner — Kristin E Reed

(74) *Attorney, Agent, or Firm* — Sughrue Mion, PLLC

(57) **CLAIM**

The ornamental design for a display screen for digital camera with graphical user interface, as shown and described.

DESCRIPTION

FIG. 1 is a top, rear and left side perspective view of a display screen for digital camera with graphical user interface, showing my new design;

FIG. 2 is a front elevational view thereof;

FIG. 3 is a rear elevational view thereof;

FIG. 4 is a top plan view thereof;

FIG. 5 is a bottom plan view thereof;

FIG. 6 is a left side elevational view thereof;

FIG. 7 is a right side elevational view thereof;

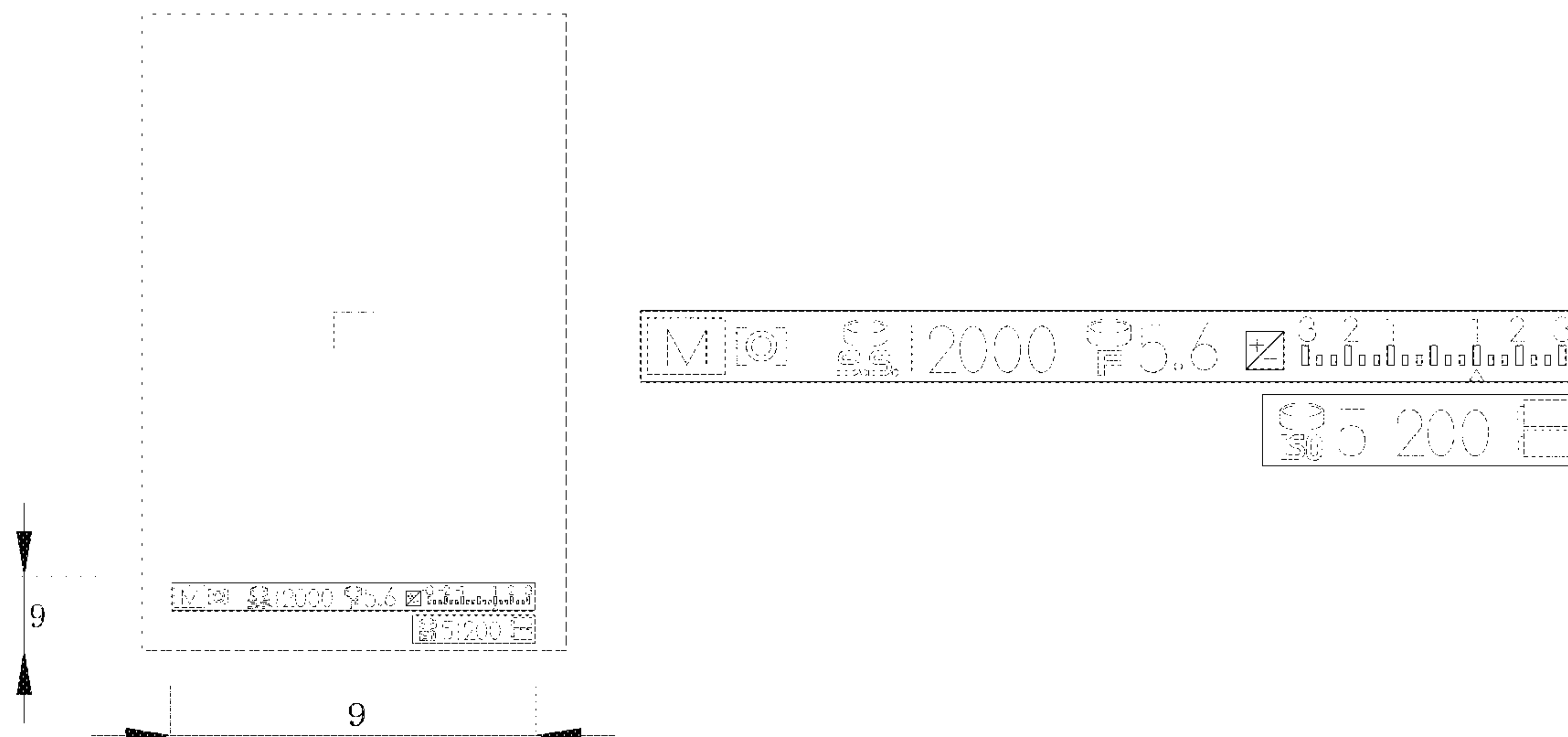
FIG. 8 is an enlarged view of the display screen, shown separately from the camera;

FIG. 9 is an enlarged view of a portion defined between arrowheads 9-9 of FIG. 8; and,

FIG. 10 is a rear elevational view of the digital camera according to an embodiment in which camera information is displayed not only on the display screen but also within a viewfinder of the camera body.

The broken line showing of a digital camera illustrate the environment. The remainder of the broken lines shown illustrate portions of the display screen for digital camera with graphical user interface. The broken lines form no part of the claimed design.

1 Claim, 10 Drawing Sheets



(56)

References Cited

U.S. PATENT DOCUMENTS

D737,286 S * 8/2015 Folken D14/485
 D754,714 S * 4/2016 Zhang D14/487
 D757,779 S * 5/2016 Steinfeld D14/486

OTHER PUBLICATIONS

Canon EOS 6D On-Camera Tutorials—Auto Exposure Bracketing, posted Jun. 19, 2014, [retrieved Sep. 8, 2016]. Retrieved from Internet, <URL: <https://www.youtube.com/watch?v=15-jhTFBUJU> >.*

Canon EOS 70D Review: Video Rock Star, posted Nov. 4, 2013, [retrieved Sep. 8, 2016]. Retrieved from Internet, <URL: <http://www.digitalcamerareview.com/camerareview/canon-eos-70d-review-video-rock-star/> >.*

Camera FV-5, posted Oct. 5, 2012, [retrieved Sep. 8, 2016]. Retrieved from Internet, <URL: <http://app-place.net/detail.php?id=com.flavionet.android.camera.pro> >.*

The New Superhero That Could: The Pentax K-3 II, How Nikon and Canon Are Lagging Behind, and Why It Doesn't Matter, posted Apr. 28, 2015, [retrieved Mar. 11, 2017]. Retrieved from Internet, <URL: <https://fstoppers.com/editorial/new-superhero-could-pentax-k-3-ii-how-nikon-and-canon-are-lagging-behind-and-why-69009> >.*

99 Common Photography Problems (and how to solve them), posted May 4, 2012, [retrieved Mar. 11, 2017]. Retrieved from Internet, <URL: <http://www.techradar.com/how-to/photography-video-capture/cameras/99-common-photography-problems-and-how-to-solve-them-1320793/4> >.*

Autofocus icon is missing in Canon 650D, please help, posted Apr. 17, 2014, [retrieved Mar. 11, 2017]. Retrieved from Internet, <URL: <http://photo.stackexchange.com/questions/49589/autofocus-icon-is-missing-in-canon-650d-please-help> >.*

X-Series, Fujifilm X-T1, posted unknown, [retrieved Mar. 11, 2017]. Retrieved from Internet, <URL: http://www.fujifilmusa.com/products/digital_cameras/x/fujifilm_x_t1/ >.*

* cited by examiner

FIG. 1

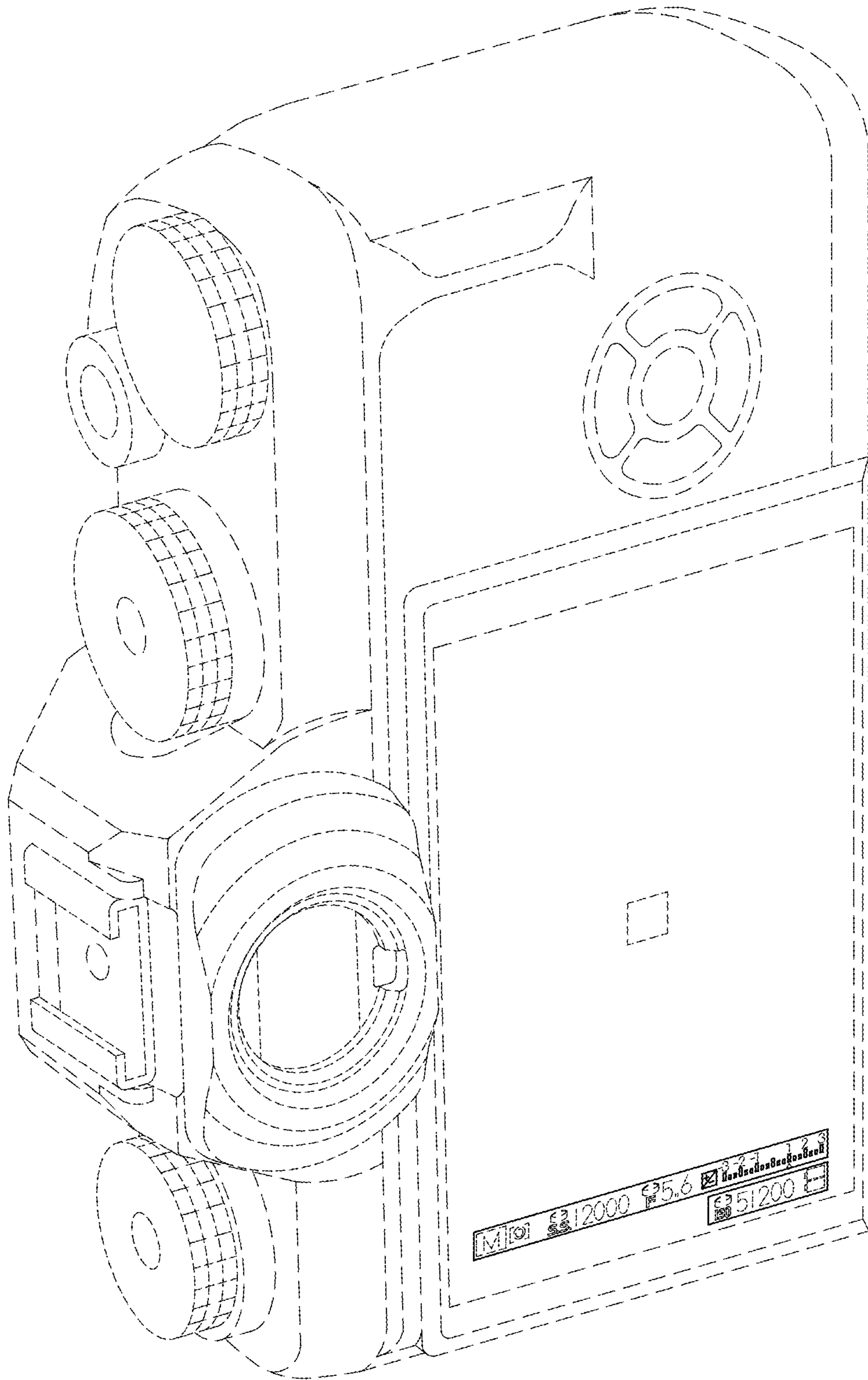


FIG. 2

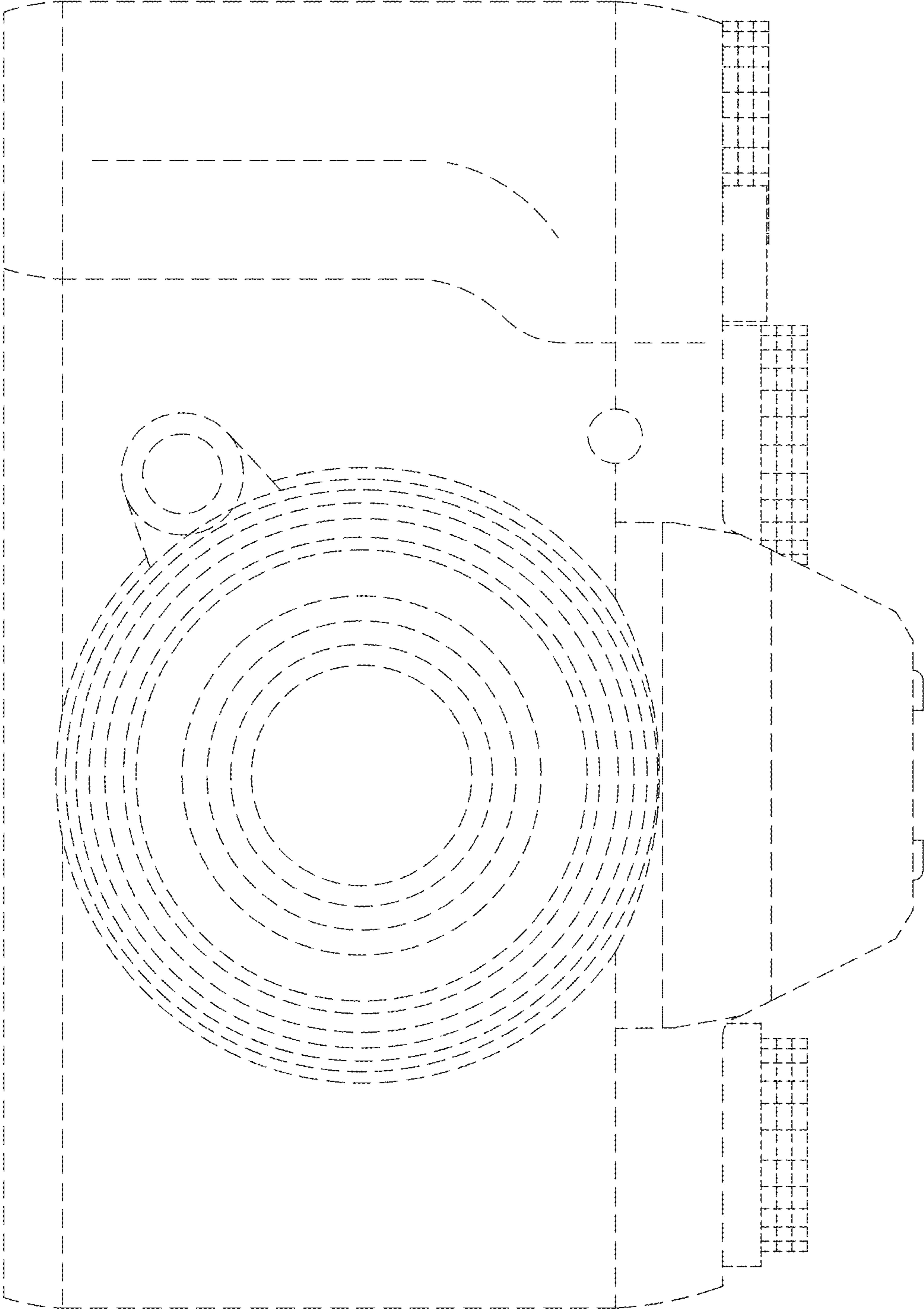


FIG. 3

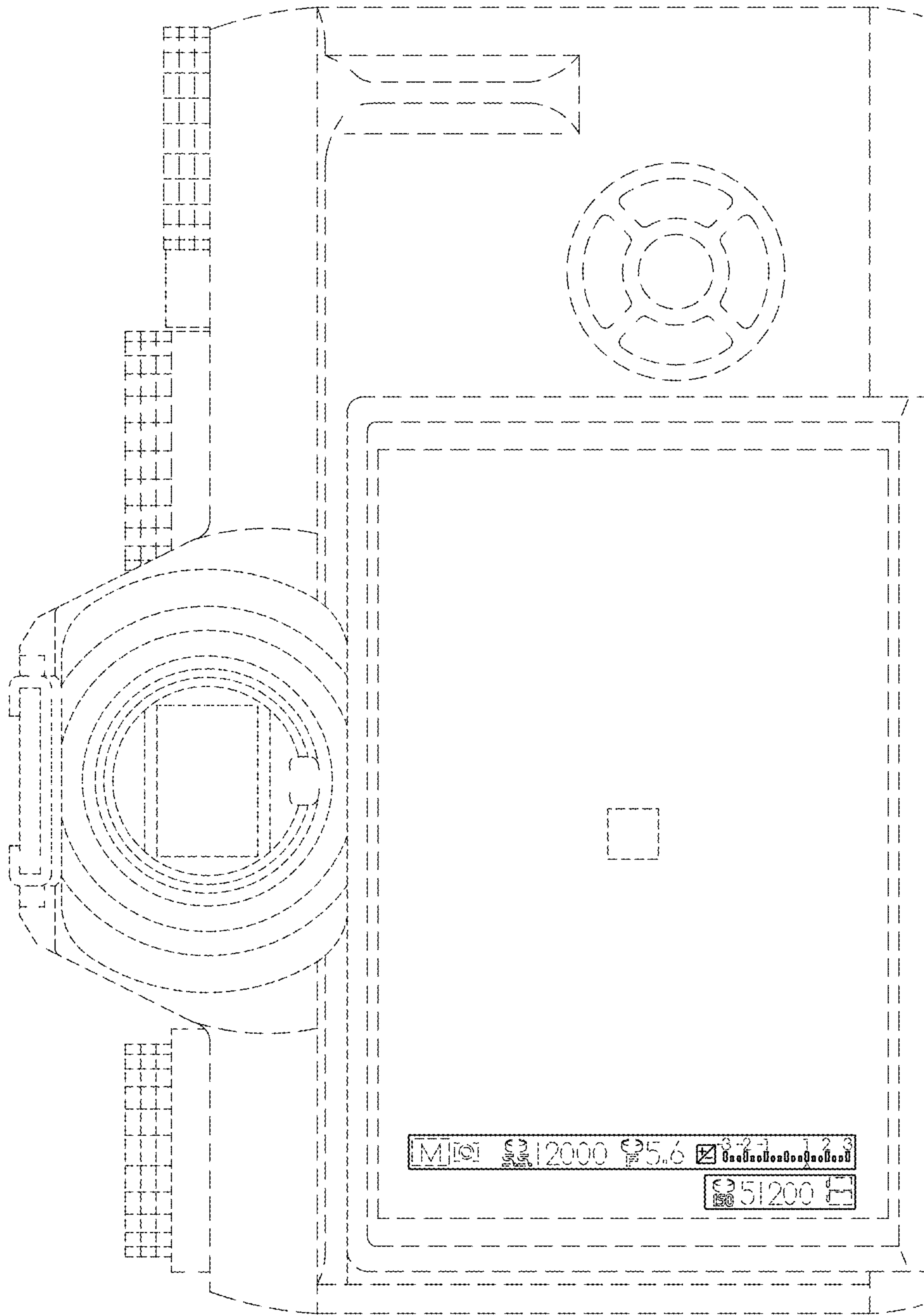


FIG. 4

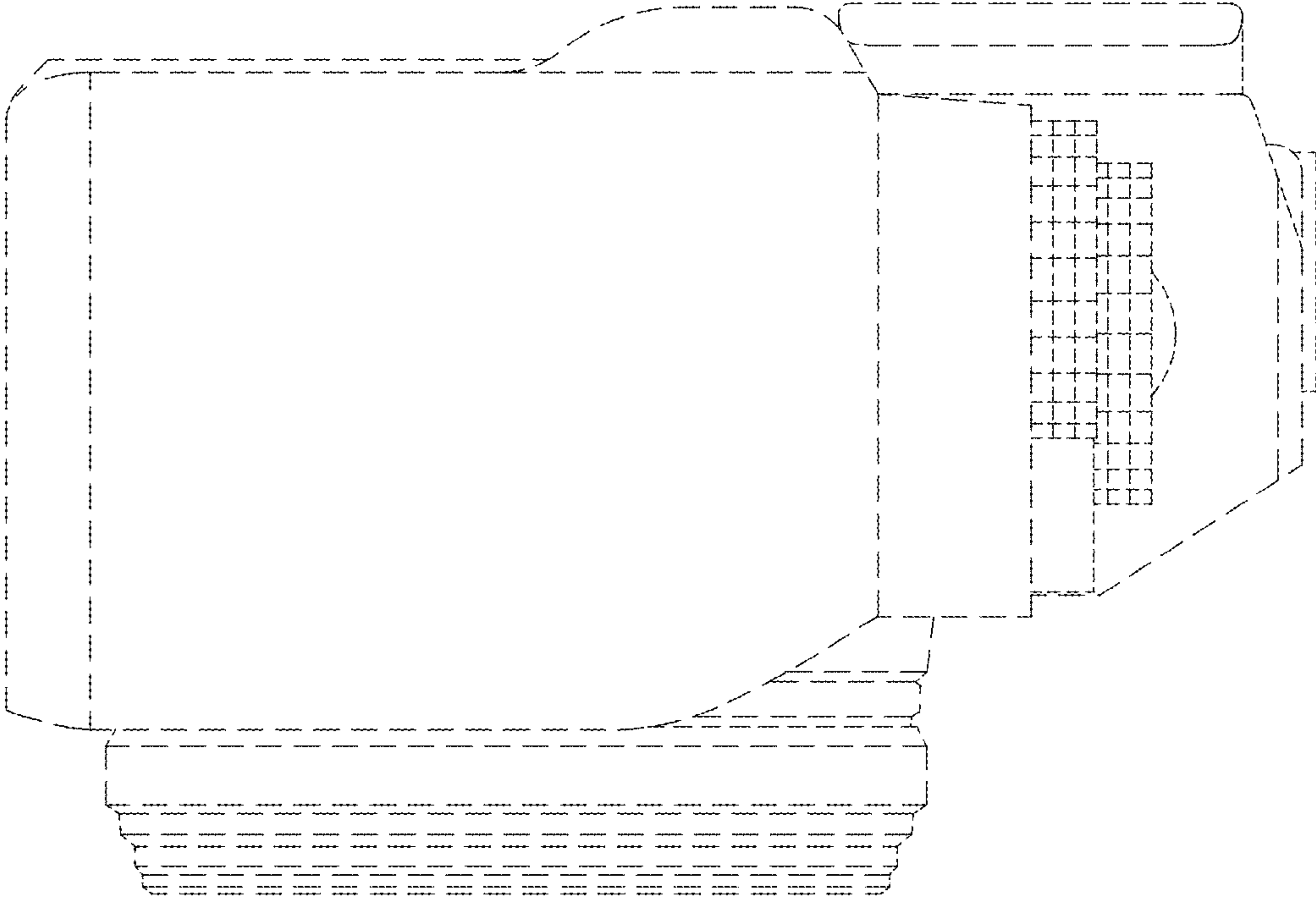


FIG. 5

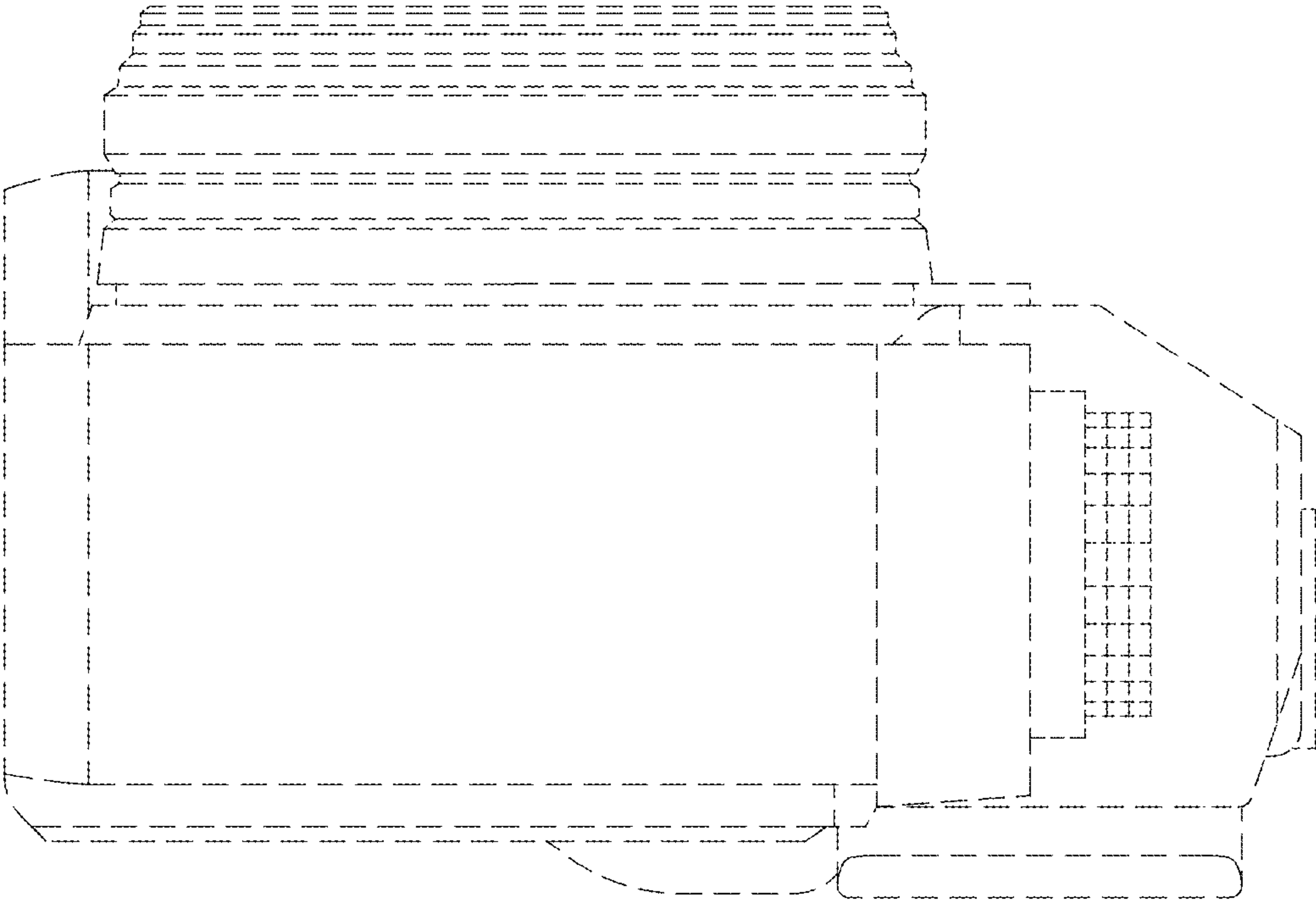


FIG. 6

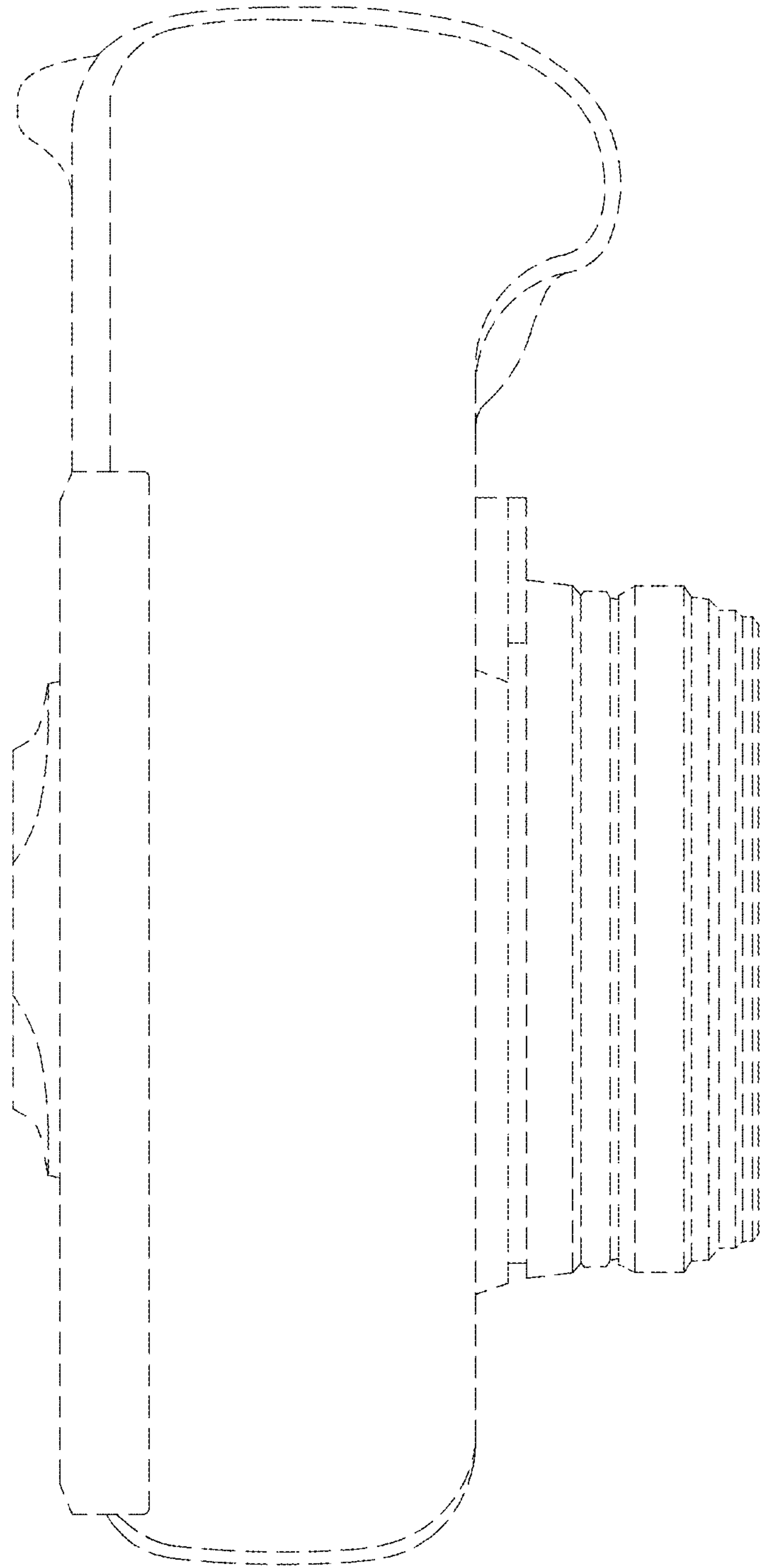


FIG. 7

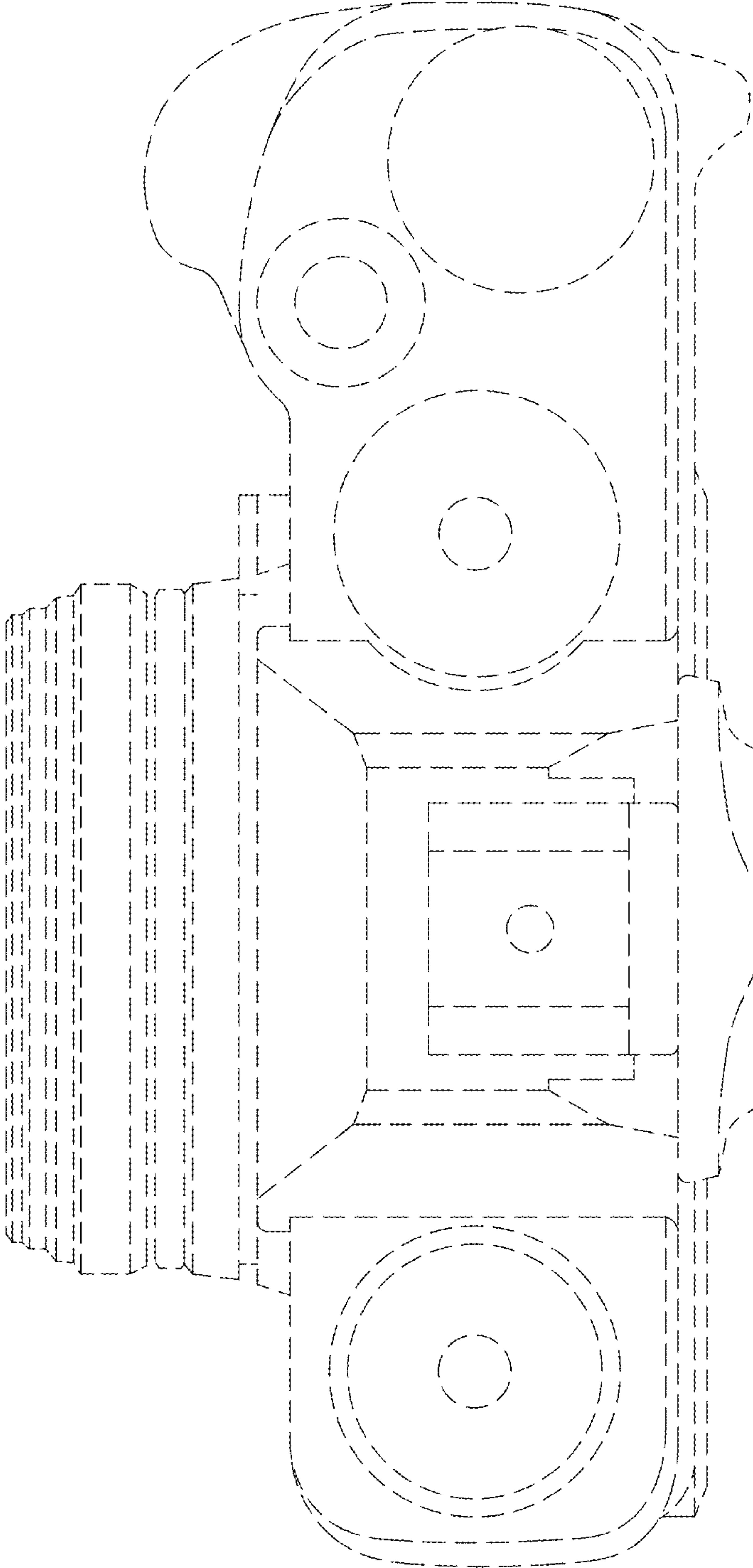


FIG. 8

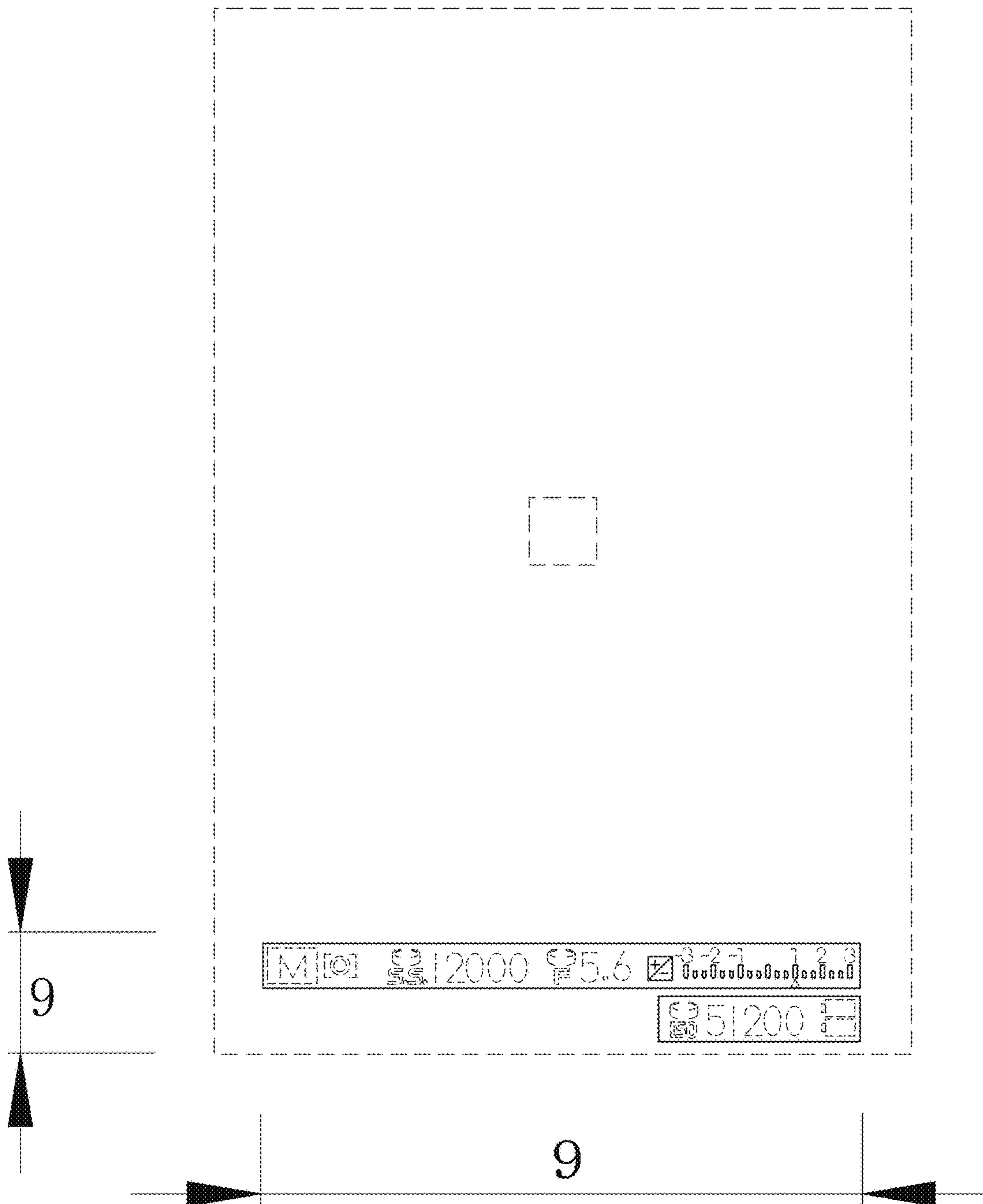


FIG. 9

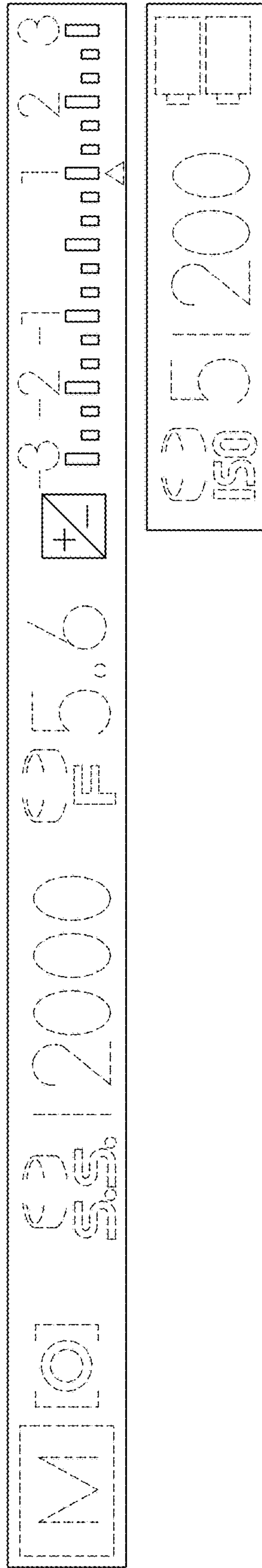


FIG. 10

