

US00D793403S

(12) **United States Design Patent** (10) **Patent No.:** **US D793,403 S**  
**Cross et al.** (45) **Date of Patent:** **\*\* Aug. 1, 2017**

(54) **DISPLAY PANEL FOR APPLIANCE WITH PARTIAL GRAPHICAL USER INTERFACE PORTION**

(71) Applicant: **Whirlpool Corporation**, Benton Harbor, MI (US)

(72) Inventors: **Amy Cross**, Coloma, MI (US); **Estela Duhart**, St. Joseph, MI (US); **Brandon Satanek**, Stevensville, MI (US); **Wen Shi**, Stevensville, MI (US)

(73) Assignee: **Whirlpool Corporation**, Benton Harbor, MI (US)

(\*\*) Term: **15 Years**

(21) Appl. No.: **29/531,951**

(22) Filed: **Jun. 30, 2015**

(51) **LOC (10) Cl.** ..... **14-04**

(52) **U.S. Cl.**  
USPC ..... **D14/485; D7/406**

(58) **Field of Classification Search**  
USPC ..... **D14/485-495; D7/406**  
CPC ..... **F24C 3/124; F24C 7/086**  
See application file for complete search history.

(56) **References Cited**

U.S. PATENT DOCUMENTS

5,916,353	A *	6/1999	Bennett	.....	F26B 25/12
					126/19 R
D618,488	S *	6/2010	Knochner	.....	D7/350.1
D626,139	S *	10/2010	McLaughlin	.....	D14/486
D628,438	S *	12/2010	Knochner	.....	D7/405
D645,703	S *	9/2011	Sadtler	.....	D7/405
D670,724	S *	11/2012	Mori	.....	D14/486
D721,918	S *	2/2015	Glassman	.....	D7/406

(Continued)

*Primary Examiner* — Robin V Webster  
*Assistant Examiner* — Rachel Voorhies  
(74) *Attorney, Agent, or Firm* — Price Heneveld LLP

(57) **CLAIM**

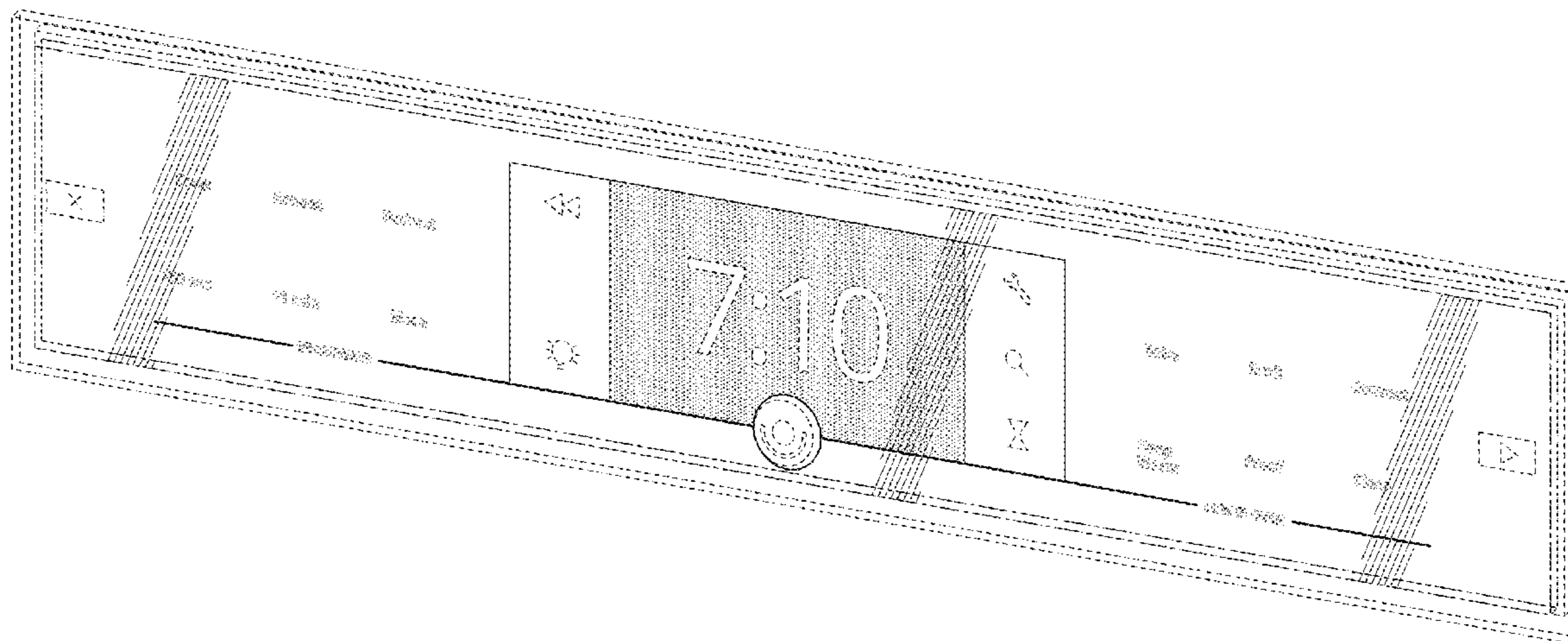
The ornamental design for a display panel for appliance with partial graphical user interface portion, as shown and described.

**DESCRIPTION**

FIG. 1 is a front perspective view of a display panel for appliance with partial graphical user interface portion according to a first embodiment of our design; FIG. 2 is a front view thereof, a back view thereof showing no portion of the claimed design; FIG. 3 is a top view thereof, a bottom view being identical thereto; FIG. 4 is a right side view thereof, a left side view being a mirror image thereof; FIG. 5 is a front perspective view of a display panel for appliance with partial graphical user interface portion according to a second embodiment of our design; FIG. 6 is a front view thereof, a back view thereof showing no portion of the claimed design; FIG. 7 is a top view thereof, a bottom view being identical thereto; and, FIG. 8 is a right side view thereof, a left side view being a mirror image thereof.

The even-length broken lines in the drawings illustrate portions of the display panel with partial graphical user interface portion which form no part of the claimed design. The pairs of closely adjacent, spaced jagged broken lines indicate a symbolic break in the length of the display panel for appliance with partial graphical user interface portion. The appearance of any portion of the article between the break lines forms no part of the claimed design. The dash-dot lines define the bounds of the claim and form no part thereof. The stipple fill indicates a contrast in materials. The diagonal line shading indicates transparency.

**1 Claim, 6 Drawing Sheets**



(56)

**References Cited**

U.S. PATENT DOCUMENTS

D728,310 S \* 5/2015 Borjesson ..... D7/406  
D738,682 S \* 9/2015 Roberson ..... D7/406  
2010/0147823 A1\* 6/2010 Anderson ..... F24C 7/082  
219/391  
2013/0249847 A1\* 9/2013 Goss ..... F24C 7/082  
345/173  
2013/0277353 A1\* 10/2013 Joseph ..... H05B 1/0263  
219/209  
2016/0097541 A1\* 4/2016 Choi ..... F24C 3/126  
126/39 E

\* cited by examiner

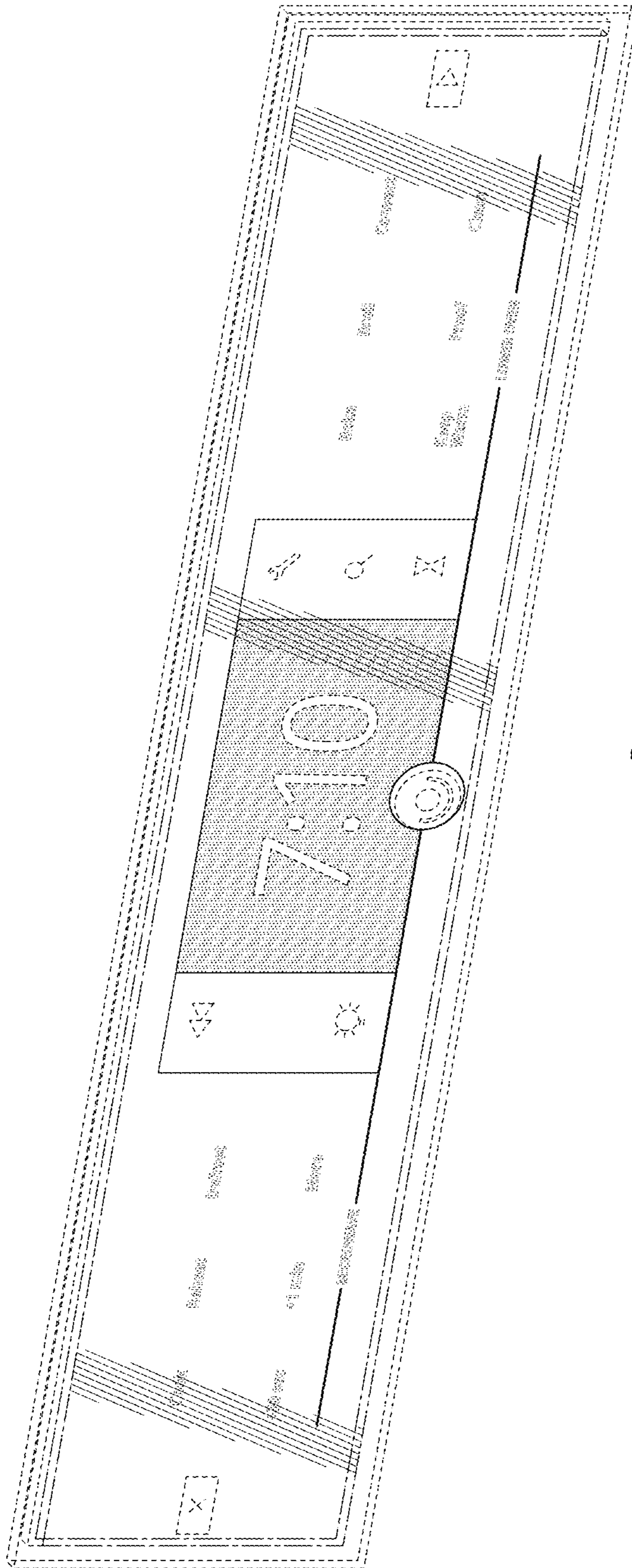


FIG. 1

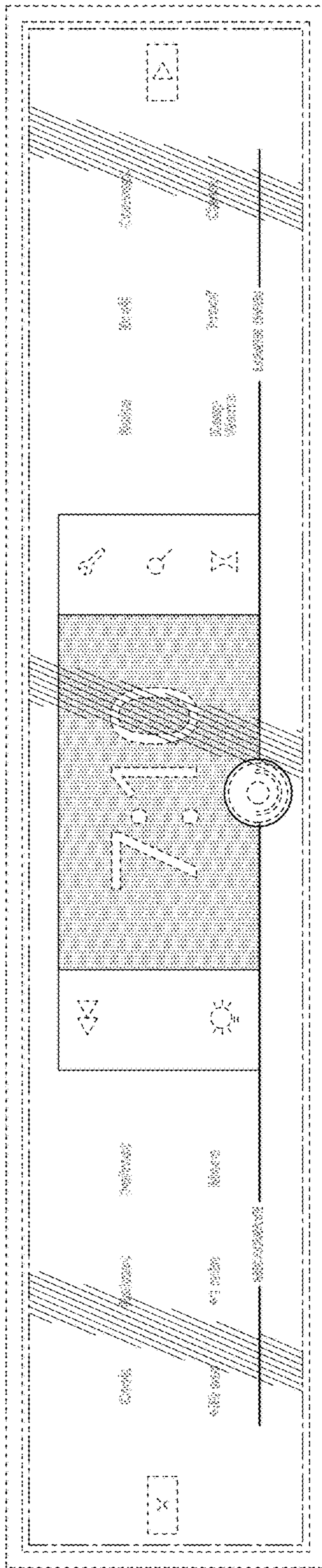


FIG. 2



FIG. 3

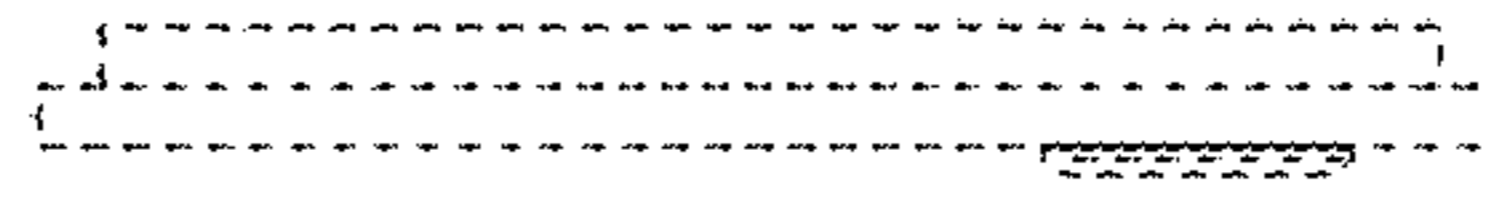


FIG. 4

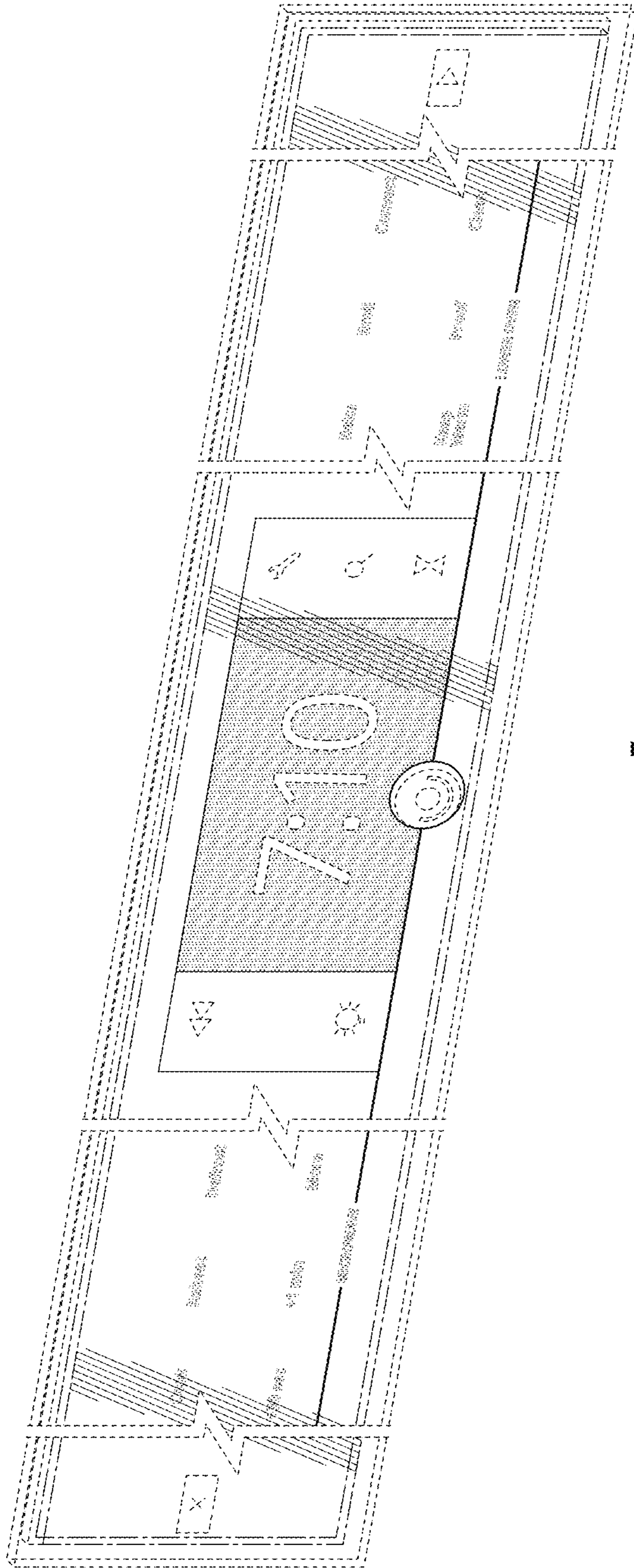


FIG. 5

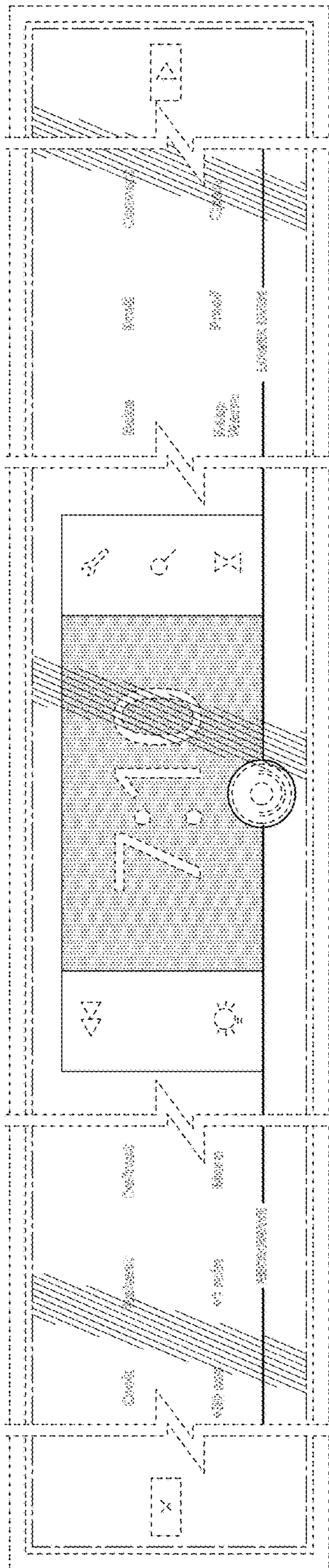


FIG. 6

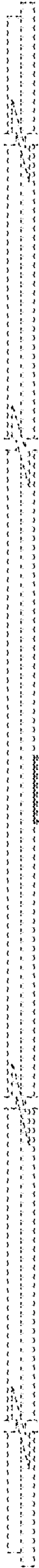


FIG. 7

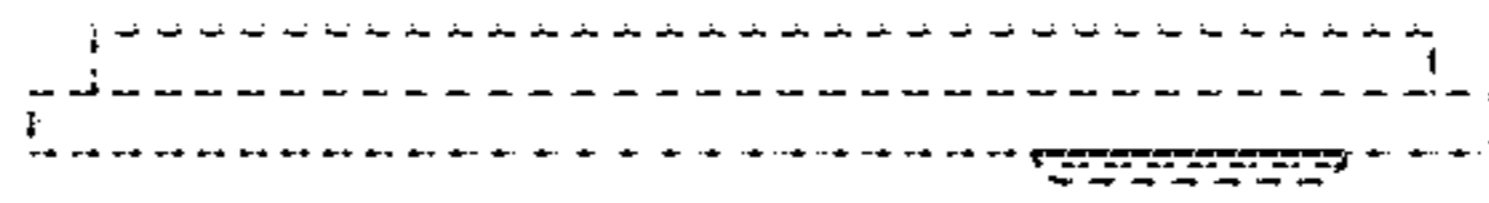


FIG. 8