



US00D793402S

(12) **United States Design Patent** (10) **Patent No.:** **US D793,402 S**
Kwon (45) **Date of Patent:** **** Aug. 1, 2017**

(54) **TELEVISION STAND**

(71) Applicant: **Samsung Electronics Co., Ltd.**,
Suwon-si (KR)

(72) Inventor: **Han-Sol Kwon**, Gwangmyeong (KR)

(73) Assignee: **SAMSUNG ELECTRONICS CO., LTD.**,
Suwon-si (KR)

(**) Term: **15 Years**

(21) Appl. No.: **29/563,493**

(22) Filed: **May 5, 2016**

(30) **Foreign Application Priority Data**

Nov. 17, 2015 (KR) 30-2015-0057708

(51) **LOC (10) Cl.** **08-07**

(52) **U.S. Cl.**
USPC **D14/451**

(58) **Field of Classification Search**

USPC D14/371-382, 125-129, 335-337,
D14/447-452, 492, 239, 457, 439-441,
D14/432, 251-253; D8/349, 354, 363,
D8/373, 376, 380; 348/180, 184, 325,
348/739, 825; D12/407, 415; D3/218;
341/12

CPC G06F 3/0412; G06F 3/016; G06F 3/0488;
G06F 3/011; G06F 3/038; G06F 3/03543;
G06F 3/0338; G06F 3/0202; G06F
3/0219; G06F 3/0213; G06F 1/1616;
G06F 3/023; G06F 3/04883; G02F
1/13338; G02F 1/1313; G02F 1/1333;
G02F 1/135; G02F 1/132; G02F
1/133308; G02F 1/134309; G02F
1/13718; G09G 3/3648; G06K 15/1252;
B41J 2/465; G03F 7/70291; G02B
27/0172; G02B 5/30; G02B 2027/0118;
G02B 27/0101; F16M 13/02; F16M
13/00; F16M 11/10; F16M 11/04; F16M
2200/08;

(Continued)

(56) **References Cited**

U.S. PATENT DOCUMENTS

D569,704 S * 5/2008 Ricereto D8/315
D578,372 S * 10/2008 James D8/316

(Continued)

FOREIGN PATENT DOCUMENTS

EM 002318253-0002 10/2013
EM 002495812-0005 7/2014
KR 300360765 9/2004

Primary Examiner — Garth Rademaker

Assistant Examiner — Katie Stofko Mroczka

(74) *Attorney, Agent, or Firm* — McAndrews Held & Malloy, Ltd.

(57) **CLAIM**

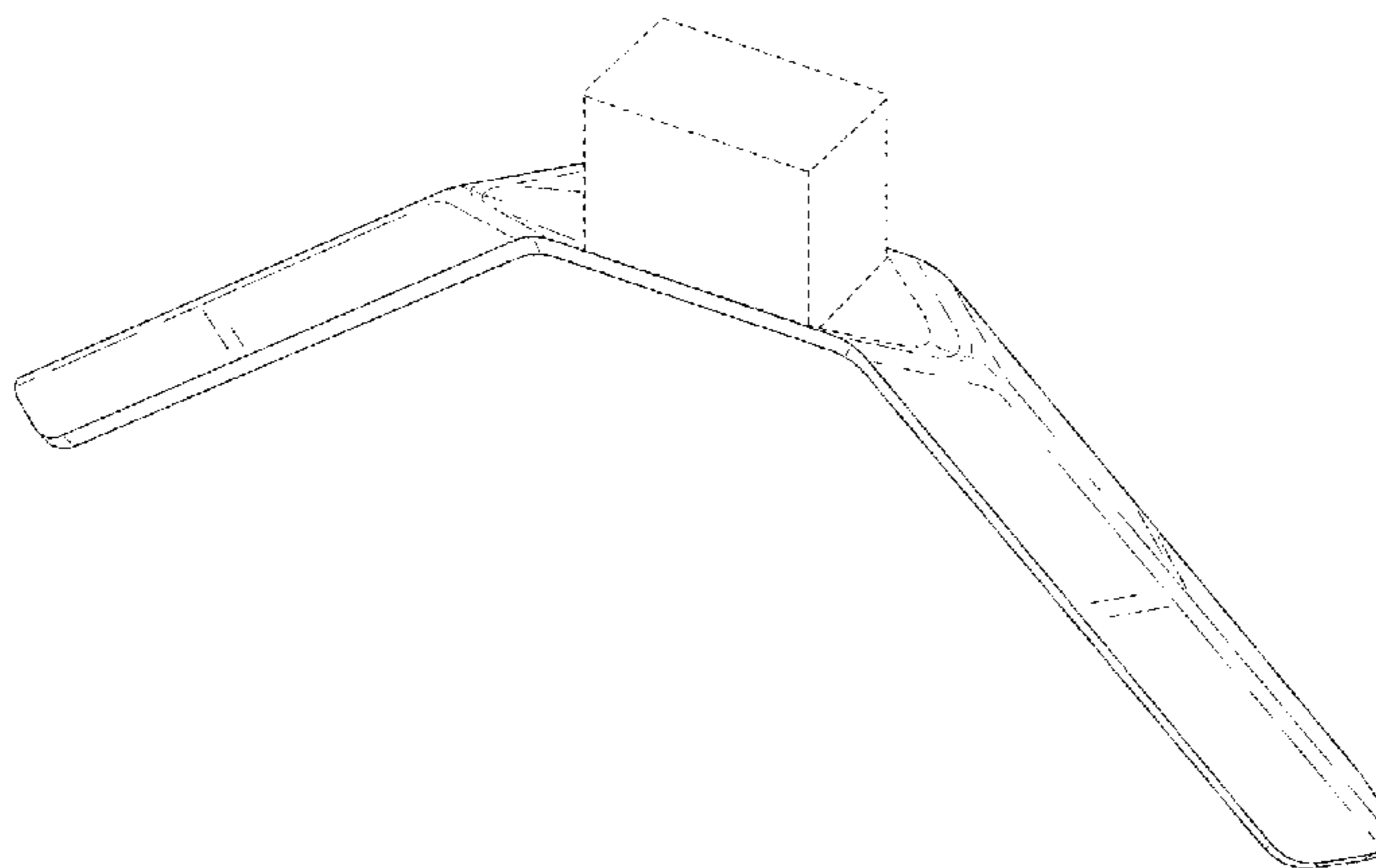
The ornamental design for a television stand, as shown and described.

DESCRIPTION

FIG. 1 is a front perspective view of a television stand showing my new design;
FIG. 2 is a front elevation view thereof;
FIG. 3 is a rear elevation view thereof;
FIG. 4 is a left-side elevation view thereof;
FIG. 5 is a right-side elevation view thereof;
FIG. 6 is a top plan view thereof;
FIG. 7 is a bottom plan view thereof;
FIG. 8 is a rear perspective view thereof;
FIG. 9 is a front perspective view thereof, shown in an environment of use; and,
FIG. 10 is a rear perspective view thereof, shown in an environment of use.

The broken lines shown in FIGS. 1-6 and 8 illustrate portions of the television stand that form no part of the claimed design. The broken lines shown in FIGS. 9 and 10 illustrate environment that form no part of the claimed design.

1 Claim, 9 Drawing Sheets



(58) **Field of Classification Search**

CPC F16M 11/2021; A47B 21/0314; A47B
88/044; A47B 2021/0335; H02G 3/126;
F16B 47/00; F16B 47/006; A47G 1/17;
A47K 2201/00

See application file for complete search history.

(56) **References Cited**

U.S. PATENT DOCUMENTS

| | | | | | | |
|----------|---|---|---------|---------|-------|---------|
| D700,170 | S | * | 2/2014 | Choi | | D14/239 |
| D700,187 | S | * | 2/2014 | Lee | | D14/451 |
| D703,168 | S | | 4/2014 | Won | | |
| D705,200 | S | * | 5/2014 | Choi | | D14/239 |
| D708,596 | S | | 7/2014 | Park | | |
| D718,604 | S | * | 12/2014 | Boo | | D7/402 |
| D718,647 | S | * | 12/2014 | Roush | | D10/70 |
| D724,453 | S | * | 3/2015 | Ogihara | | D10/70 |
| D746,825 | S | * | 1/2016 | Kang | | D14/451 |
| D751,048 | S | * | 3/2016 | Yoon | | D14/126 |
| D757,667 | S | * | 5/2016 | Yokota | | D14/126 |
| D762,624 | S | * | 8/2016 | Hu | | D14/239 |
| D778,044 | S | * | 2/2017 | Lee | | D3/218 |

* cited by examiner

FIG. 1

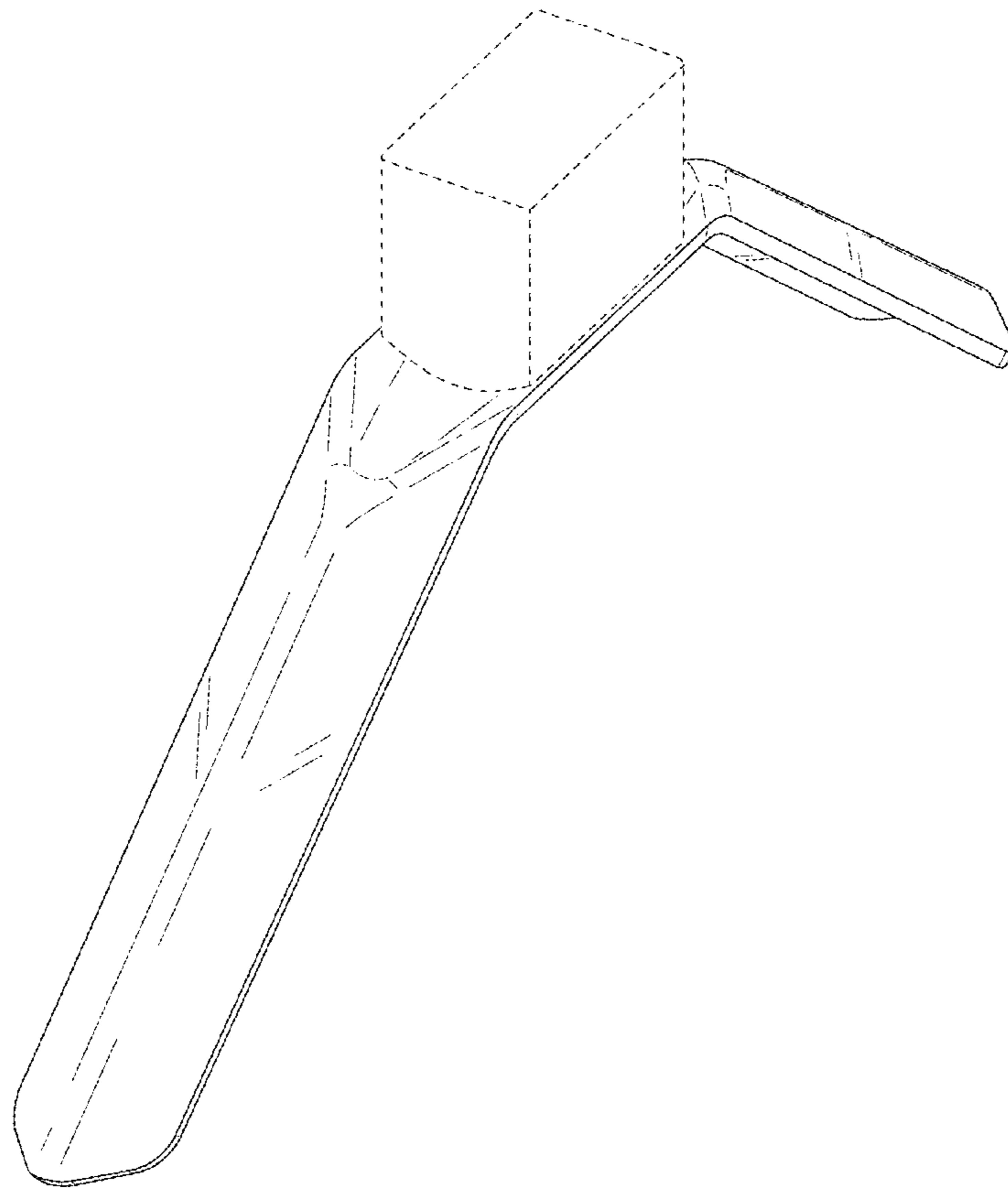


FIG. 2

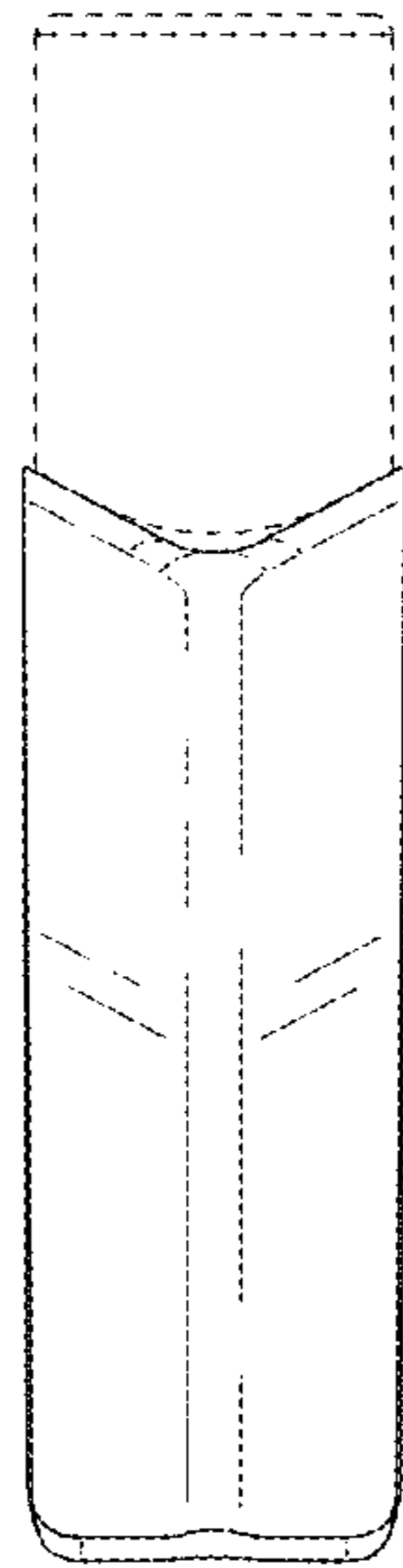


FIG. 3

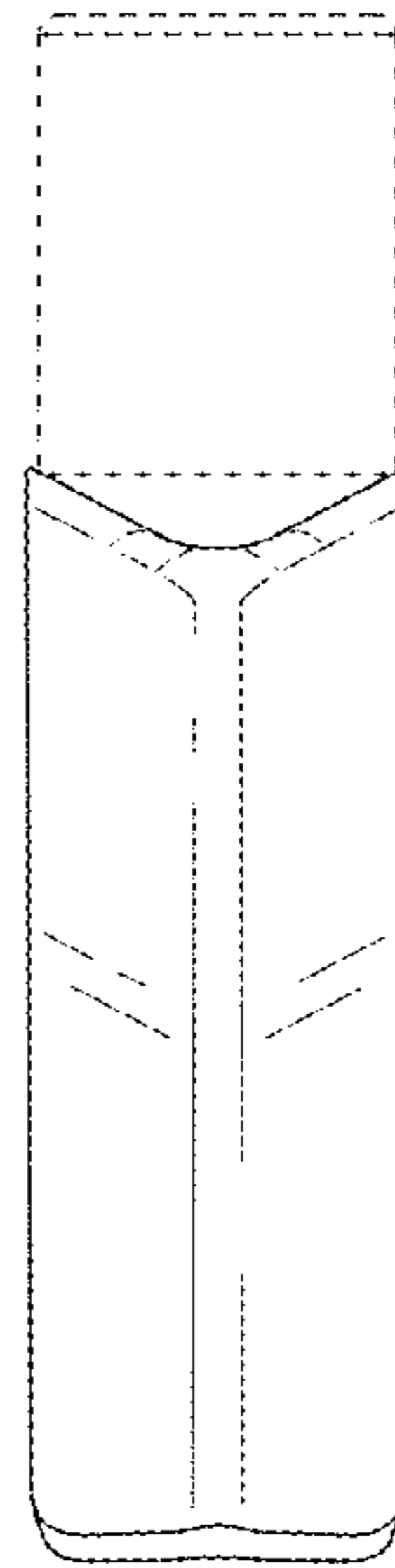


FIG. 4

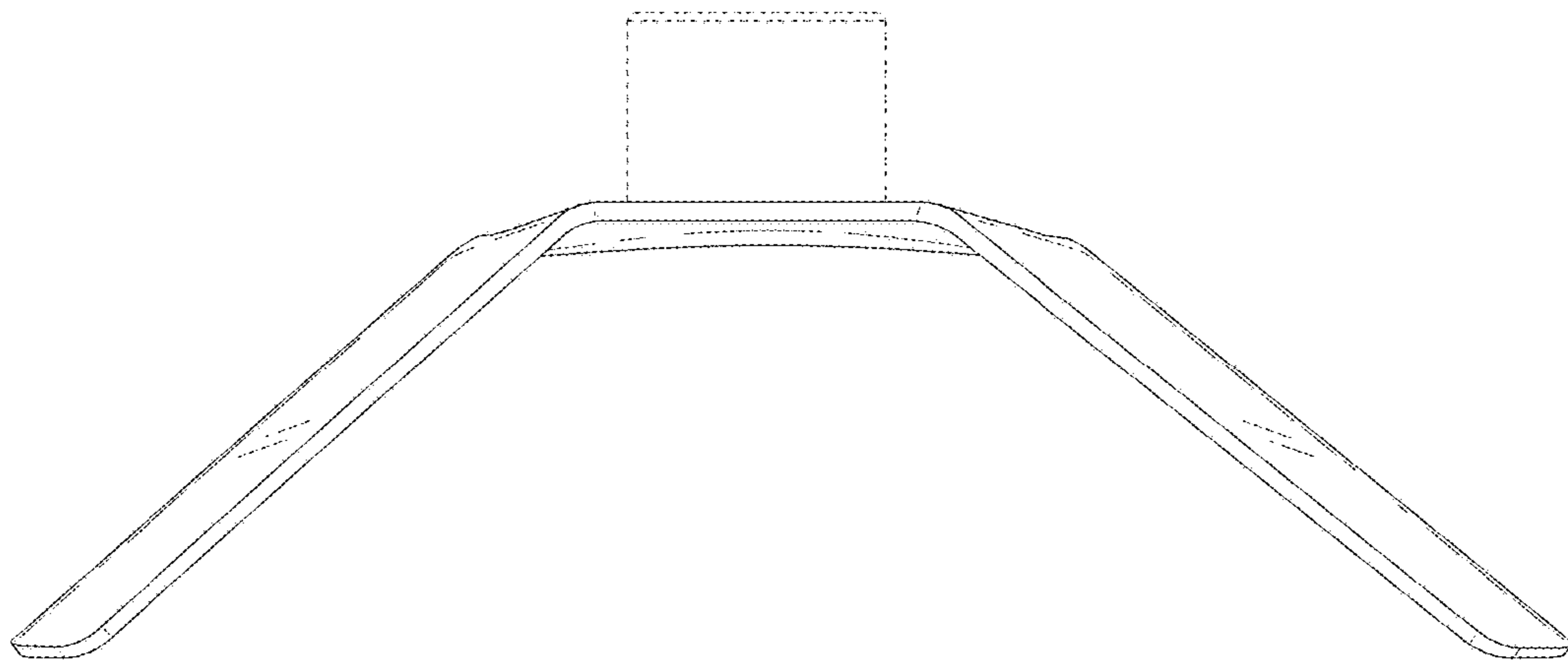


FIG. 5

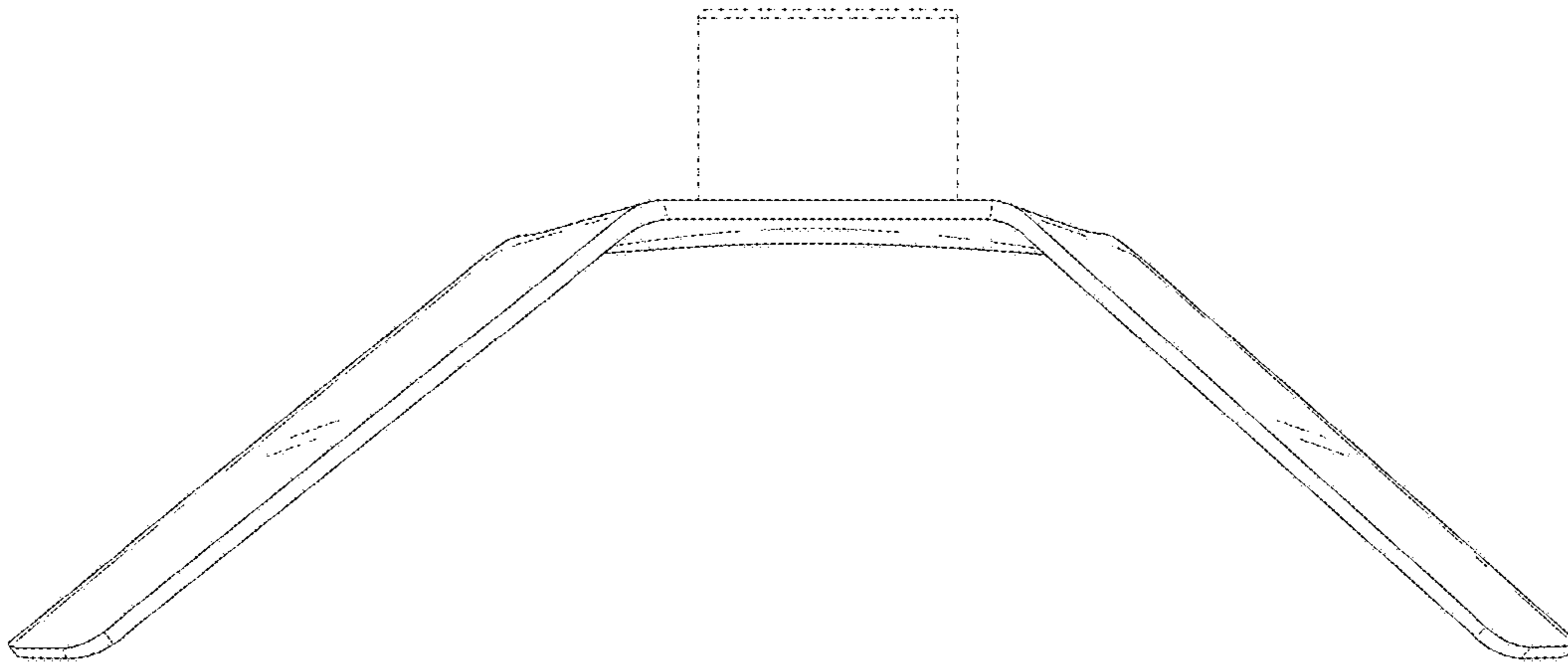


FIG. 6

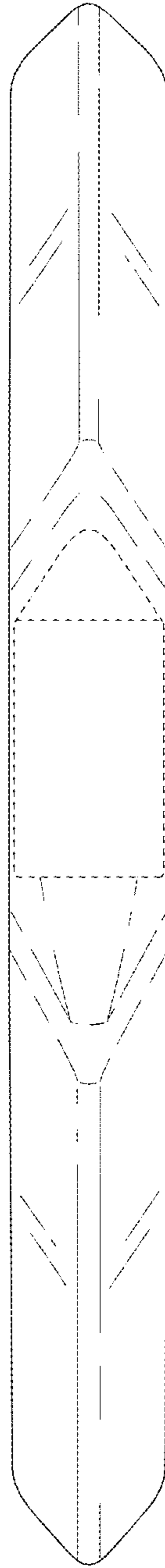


FIG. 7

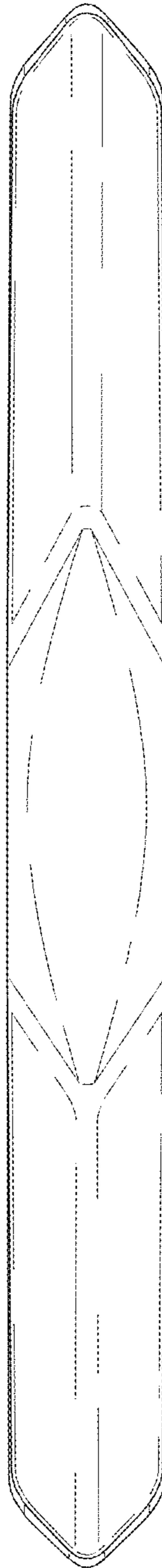


FIG. 8

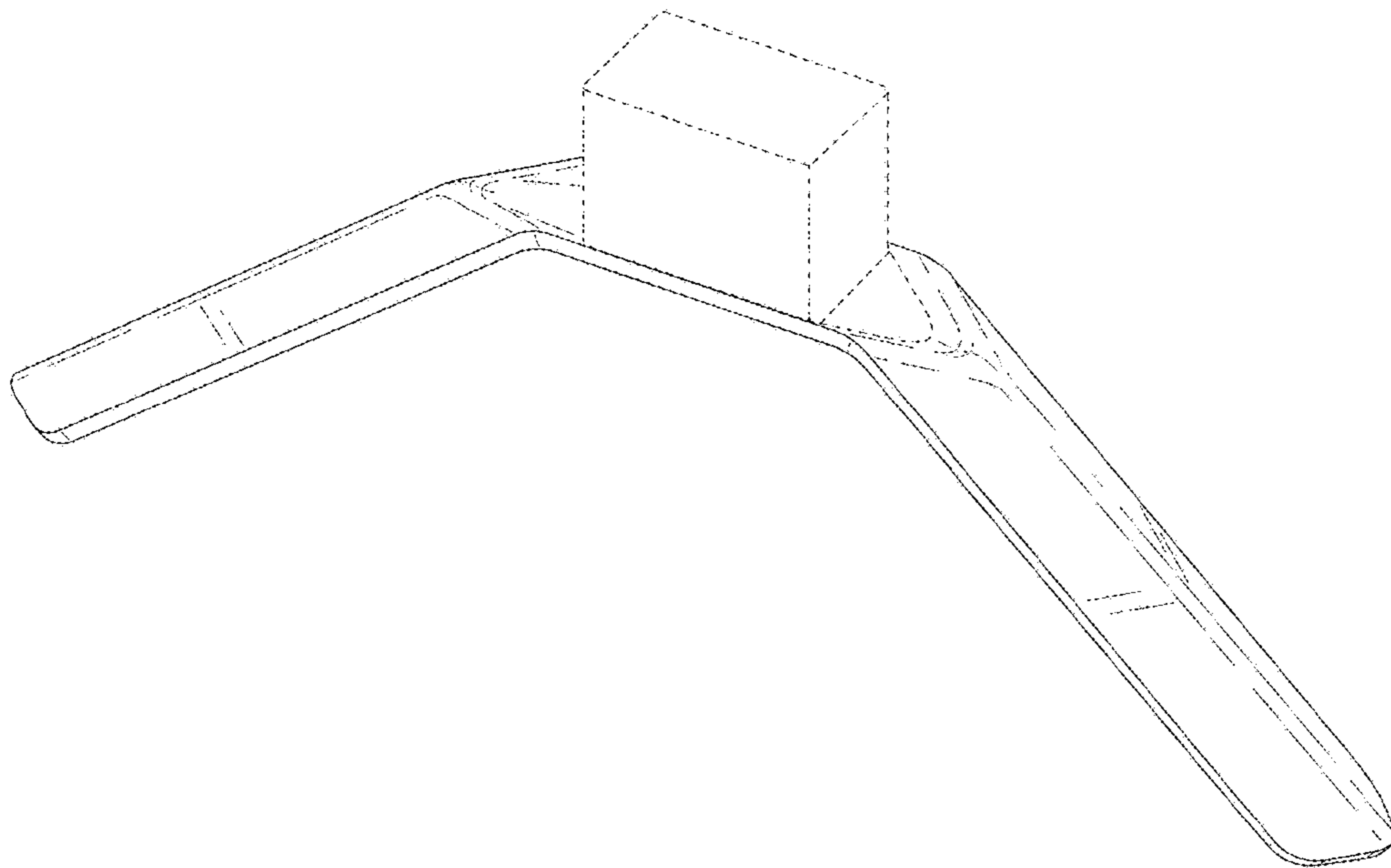


FIG. 9

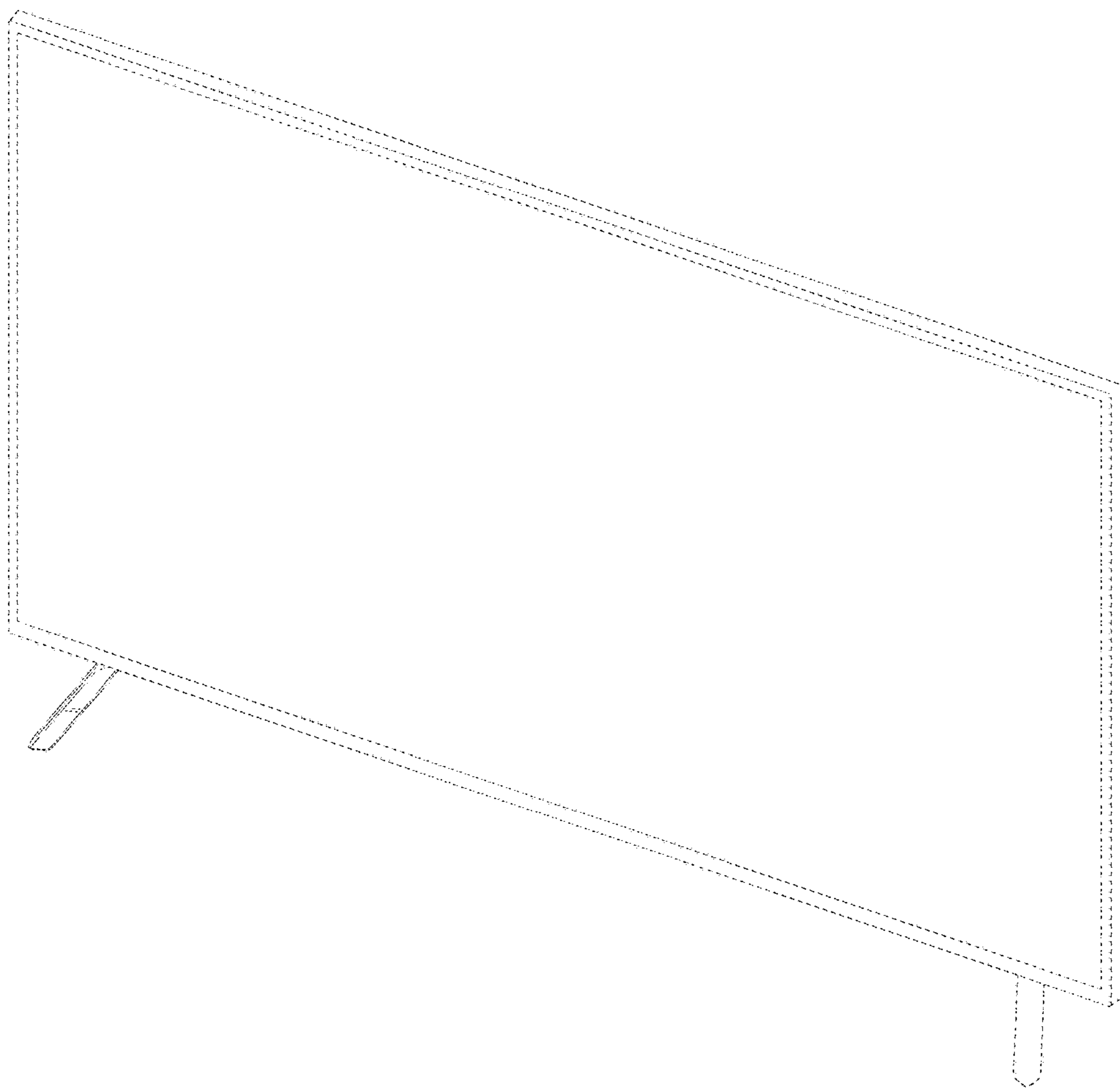


FIG. 10

