



US00D793401S

(12) **United States Design Patent** (10) **Patent No.:** **US D793,401 S**
Reviel (45) **Date of Patent:** **** Aug. 1, 2017**

(54) **DETACHABLE SHELF FOR MOUNTING ONTO TV'S AND OTHER ACCESSORIES**

A47B 88/044; A47B 2021/0335; H02G 3/126; F16B 47/00; F16B 47/006; A47G 1/17; A47K 2201/00

(71) Applicant: **Marc Reviel**, Cedar Park, TX (US)

See application file for complete search history.

(72) Inventor: **Marc Reviel**, Cedar Park, TX (US)

(56) **References Cited**

(**) Term: **14 Years**

U.S. PATENT DOCUMENTS

(21) Appl. No.: **29/485,626**

20,717 A	6/1858	Kahnweiler	
1,853,018 A *	4/1932	Knape	248/243
1,864,339 A	6/1932	Church	
2,692,174 A	10/1954	Whitehead	
D186,181 S	9/1959	Silkenat	
2,986,437 A	5/1961	Davis	
3,185,113 A	5/1965	Nathan et al.	

(22) Filed: **Mar. 20, 2014**

(Continued)

Related U.S. Application Data

(62) Division of application No. 14/189,848, filed on Feb. 25, 2014, now Pat. No. 9,420,887.

Primary Examiner — Garth Rademaker

(51) **LOC (10) Cl.** **14-02**

Assistant Examiner — Katie Stofko Mroczka

(52) **U.S. Cl.**

(74) *Attorney, Agent, or Firm* — Scheinberg & Associates, PC.; Michael O. Scheinberg

USPC **D14/449**

(58) **Field of Classification Search**

(57) **CLAIM**

USPC D14/371–382, 125–129, 336, 337, D14/447–452, 492, 335, 239, 457, D14/439–441, 432, 251–253; D8/349, D8/354, 363, 373, 376, 380; 348/180, 348/184, 325, 739, 825; D12/407, 415; D3/218; 341/12; 359/601, 609, 312, 359/608; D6/470, 474, 483, 484, 487, D6/323, 555, 572, 574, 567, 678

CPC G06F 3/0412; G06F 3/016; G06F 3/0488; G06F 3/011; G06F 3/038; G06F 3/03543; G06F 3/0338; G06F 3/0202; G06F 3/0219; G06F 3/0213; G06F 1/1616; G06F 3/023; G06F 3/04883; G02F 1/13338; G02F 1/1313; G02F 1/1333; G02F 1/135; G02F 1/132; G02F 1/133308; G02F 1/134309; G02F 1/13718; G09G 3/3648; G06K 15/1252; B41J 2/465; G03F 7/70291; G02B 27/0172; G02B 5/30; G02B 2027/0118; G02B 27/0101; F16M 13/02; F16M 13/00; F16M 11/10; F16M 11/04; F16M 2200/08; F16M 11/2021; A47B 21/0314;

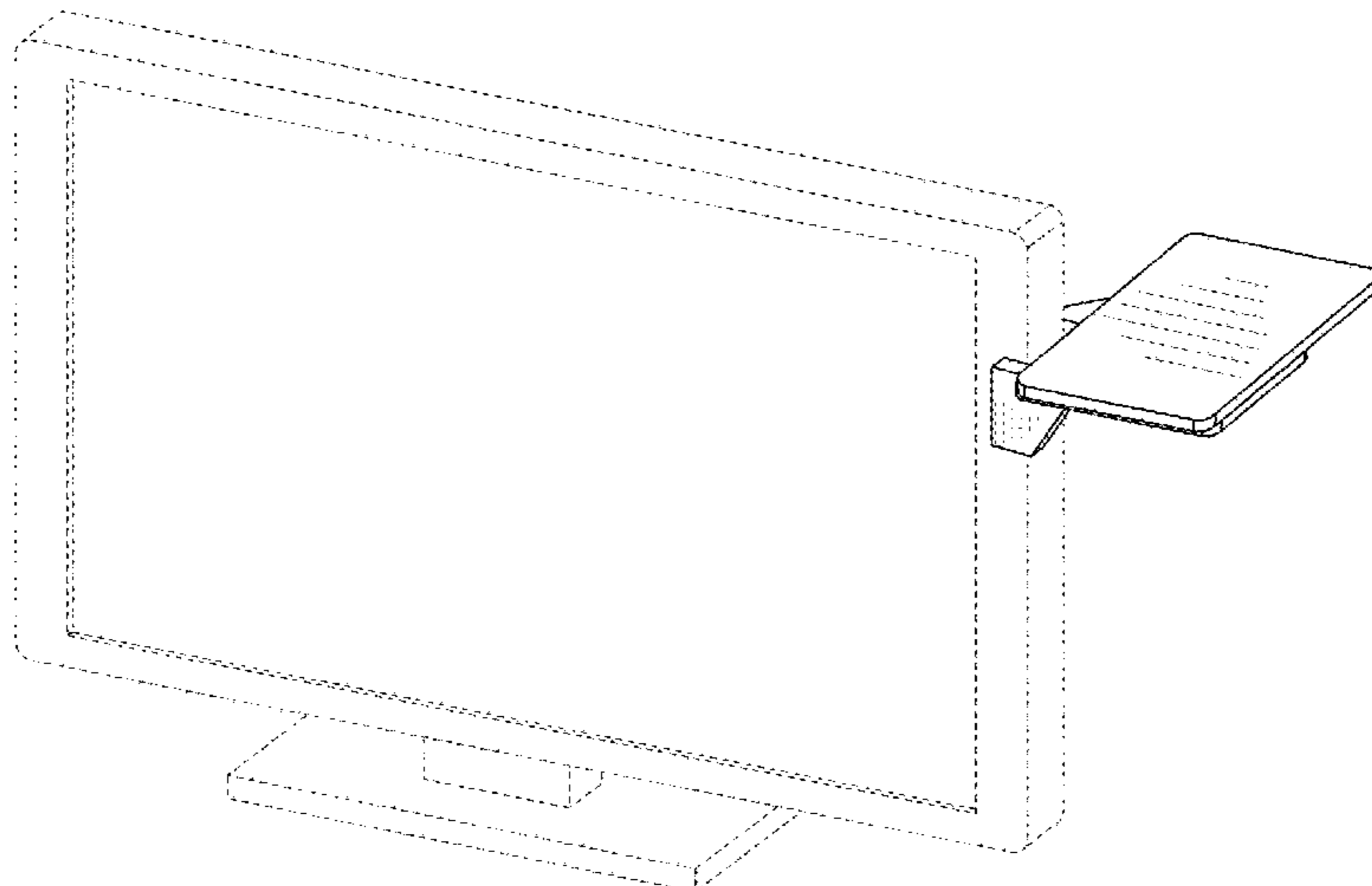
I claim the ornamental design for a detachable shelf for mounting onto TV's and other accessories, as shown and described.

DESCRIPTION

FIG. 1 is a perspective view of a detachable shelf for mounting onto TV's and other accessories; FIG. 2 is the right elevational view of FIG. 1; FIG. 3 is the left elevational view of FIG. 1; FIG. 4 is the back elevational view of FIG. 1; FIG. 5 is the front elevational view of FIG. 1; FIG. 6 is a top view of FIG. 1; and, FIG. 7 is a bottom view of FIG. 1.

The broken lines illustrating a monitor in FIG. 1 are environment, while the remaining broken lines shown in the drawings illustrate portions of the detachable shelf for mounting onto TV's and other accessories that form no part of the claimed design.

1 Claim, 3 Drawing Sheets



(56)

References Cited

U.S. PATENT DOCUMENTS

3,299,839	A *	1/1967	Nordbak	108/152	D435,380	S	12/2000	Smith et al.	
3,761,114	A	9/1973	Blakeley		6,170,408	B1	1/2001	Gombrich	
3,807,319	A	4/1974	Steanson, Jr.		6,418,010	B1	7/2002	Sawyer	
3,930,701	A	1/1976	Otakie		D477,488	S *	7/2003	Hoernig	D6/574
D244,817	S *	6/1977	Schweitzer	D6/572	6,848,679	B2	2/2005	Higgs et al.	
D263,415	S	3/1982	Roche		7,131,688	B2	11/2006	Stenson	
D274,878	S	7/1984	Kates		D546,611	S *	7/2007	Bouroullec et al.	D6/574
D292,352	S	10/1987	Hampshire et al.		7,337,730	B2 *	3/2008	Bienick et al.	108/108
D337,907	S	8/1993	Page		7,341,235	B2	3/2008	Okamoto	
5,255,612	A	10/1993	Anderson		D603,634	S	11/2009	Rotolo	
D366,170	S	1/1996	Temple		D612,182	S *	3/2010	Bremmon et al.	D6/567
D377,275	S	1/1997	Diletto		D628,299	S *	11/2010	Held	D24/185
5,687,994	A	11/1997	Hansen		D635,804	S	4/2011	North	
5,868,079	A *	2/1999	Charny	108/7	8,009,414	B2	8/2011	Ishida et al.	
D407,713	S *	4/1999	Brunner	D14/451	8,015,761	B2	9/2011	Waindland	
5,913,584	A *	6/1999	Swindell et al.	312/408	8,020,829	B1	9/2011	Tamayori	
5,954,208	A	9/1999	Schultz		D690,533	S *	10/2013	Majcher	D6/574
D414,959	S	10/1999	Emerson		D731,213	S *	6/2015	Williamson	D6/678
6,050,615	A	4/2000	Weinhold		2008/0105804	A1	5/2008	Horner et al.	
6,138,966	A	10/2000	Smith		2009/0008349	A1	1/2009	Kim	
					2009/0020047	A1	1/2009	Noble et al.	
					2010/0044324	A1	2/2010	Gerace	

* cited by examiner

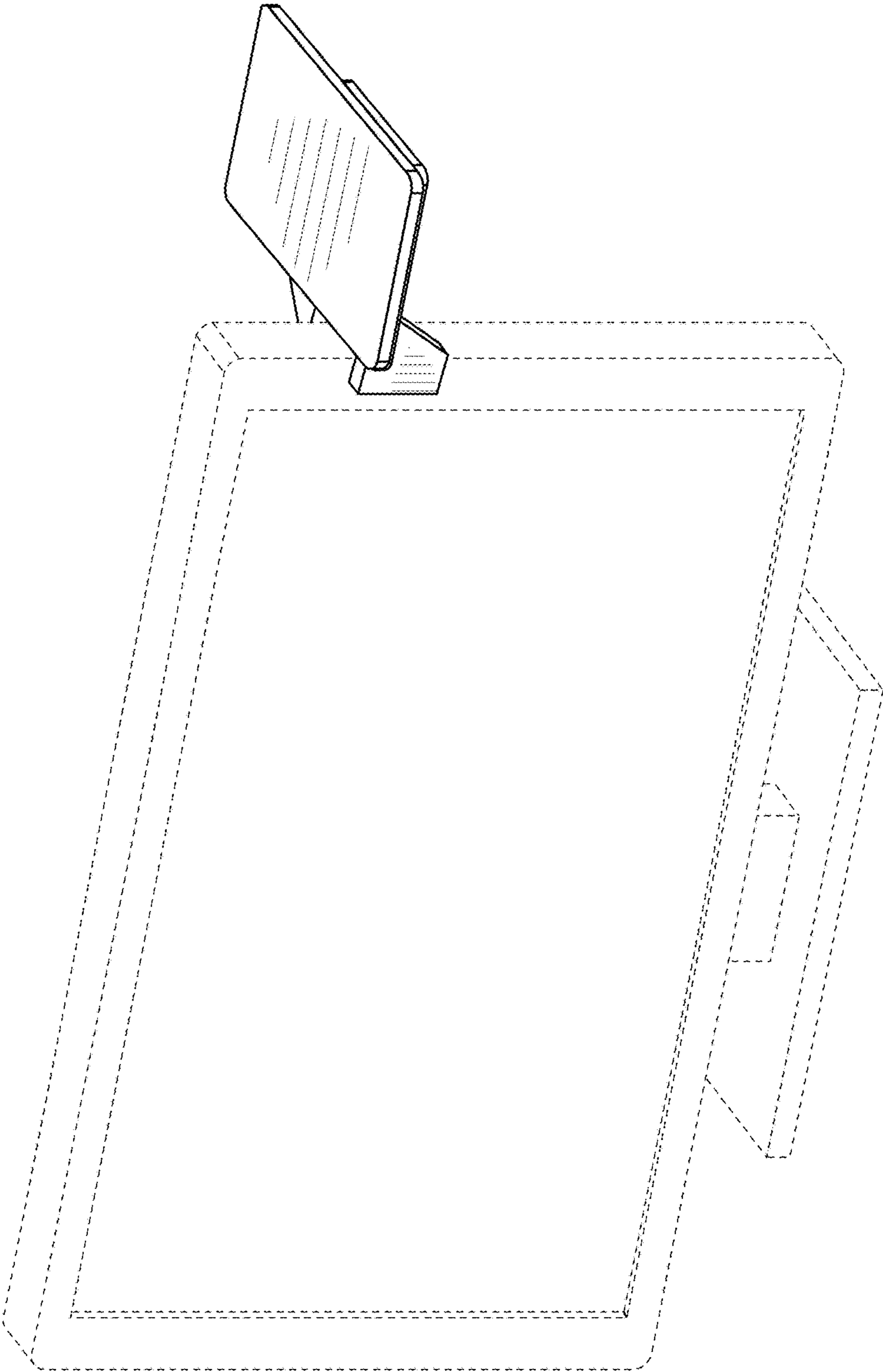


FIG. 1

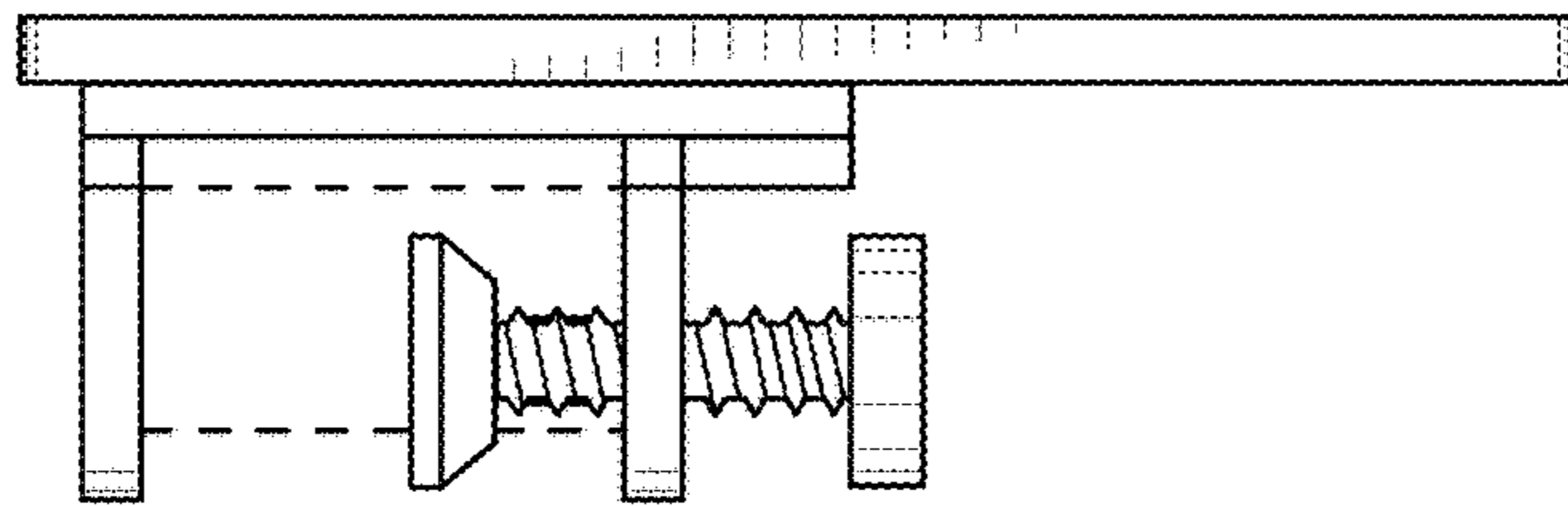


FIG. 2

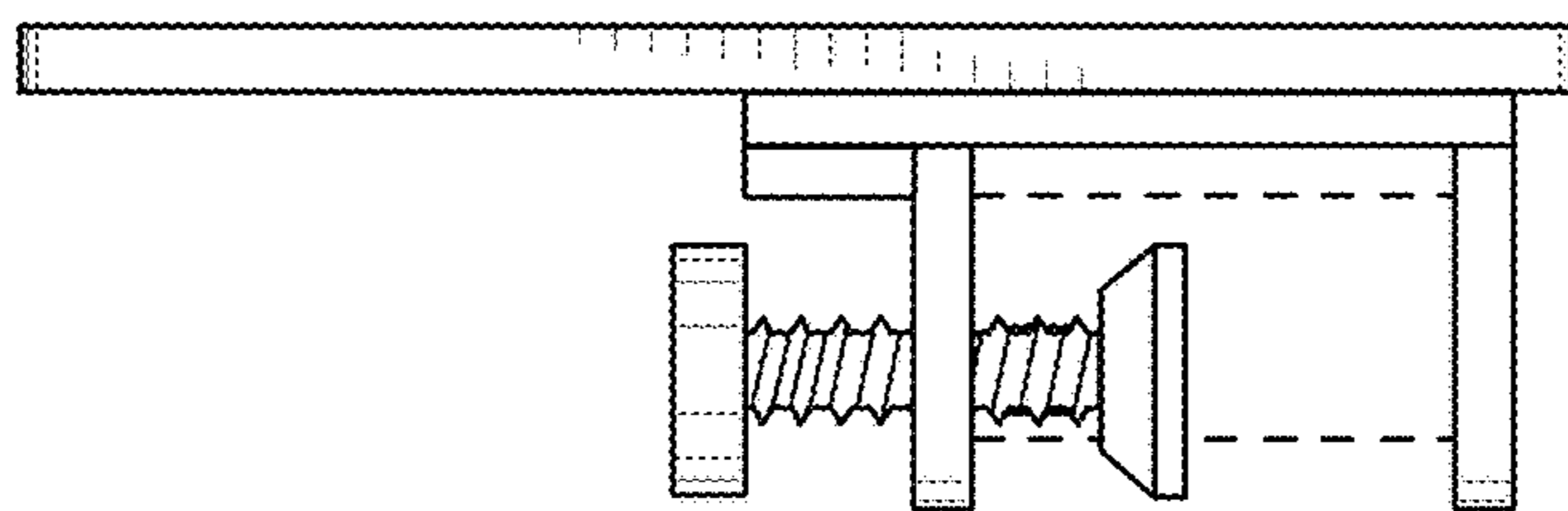


FIG. 3

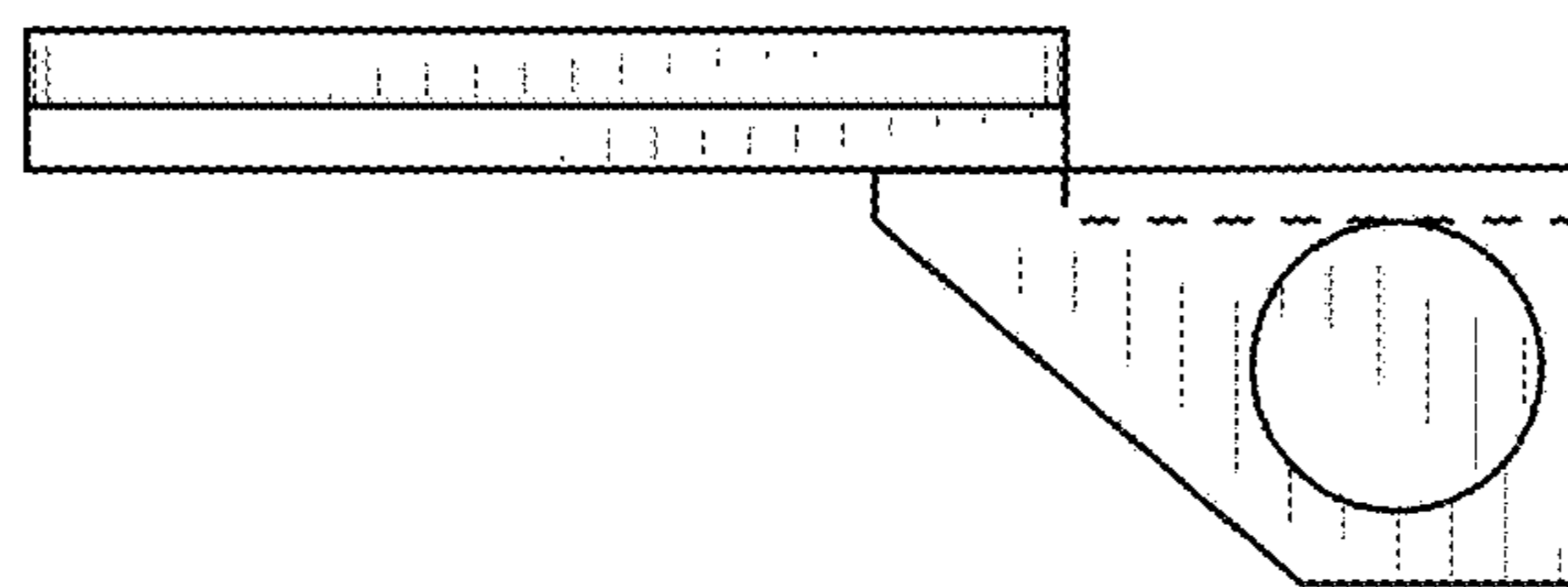


FIG. 4

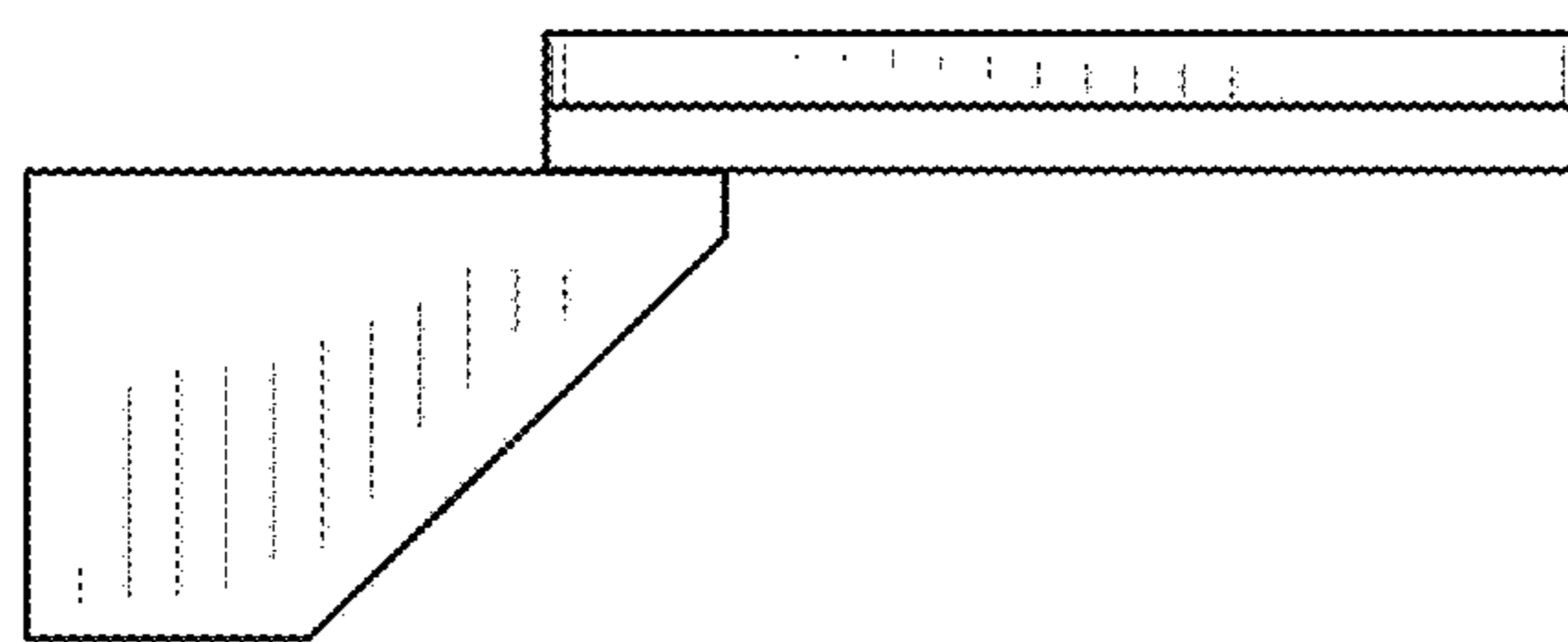


FIG. 5

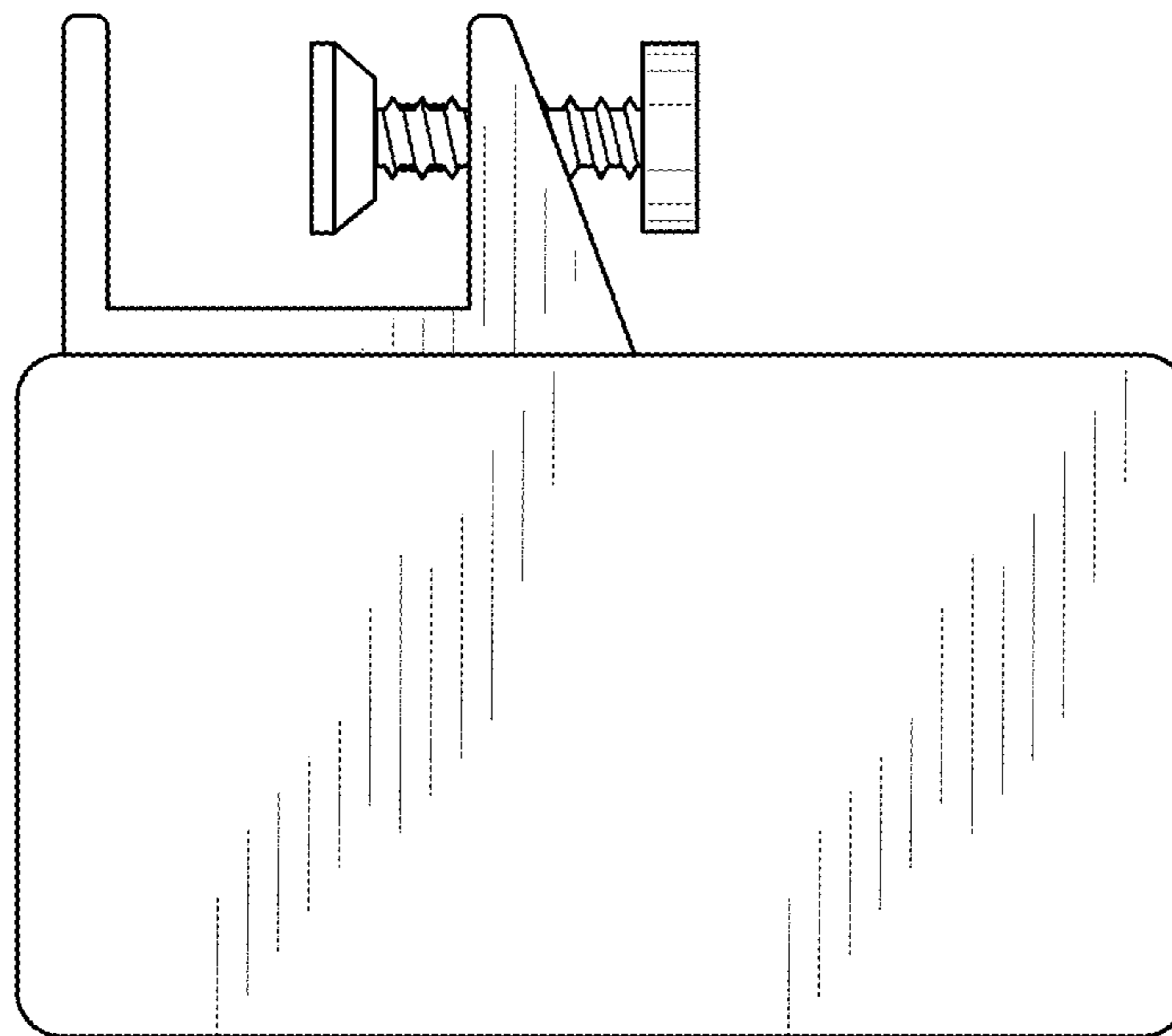


FIG. 6

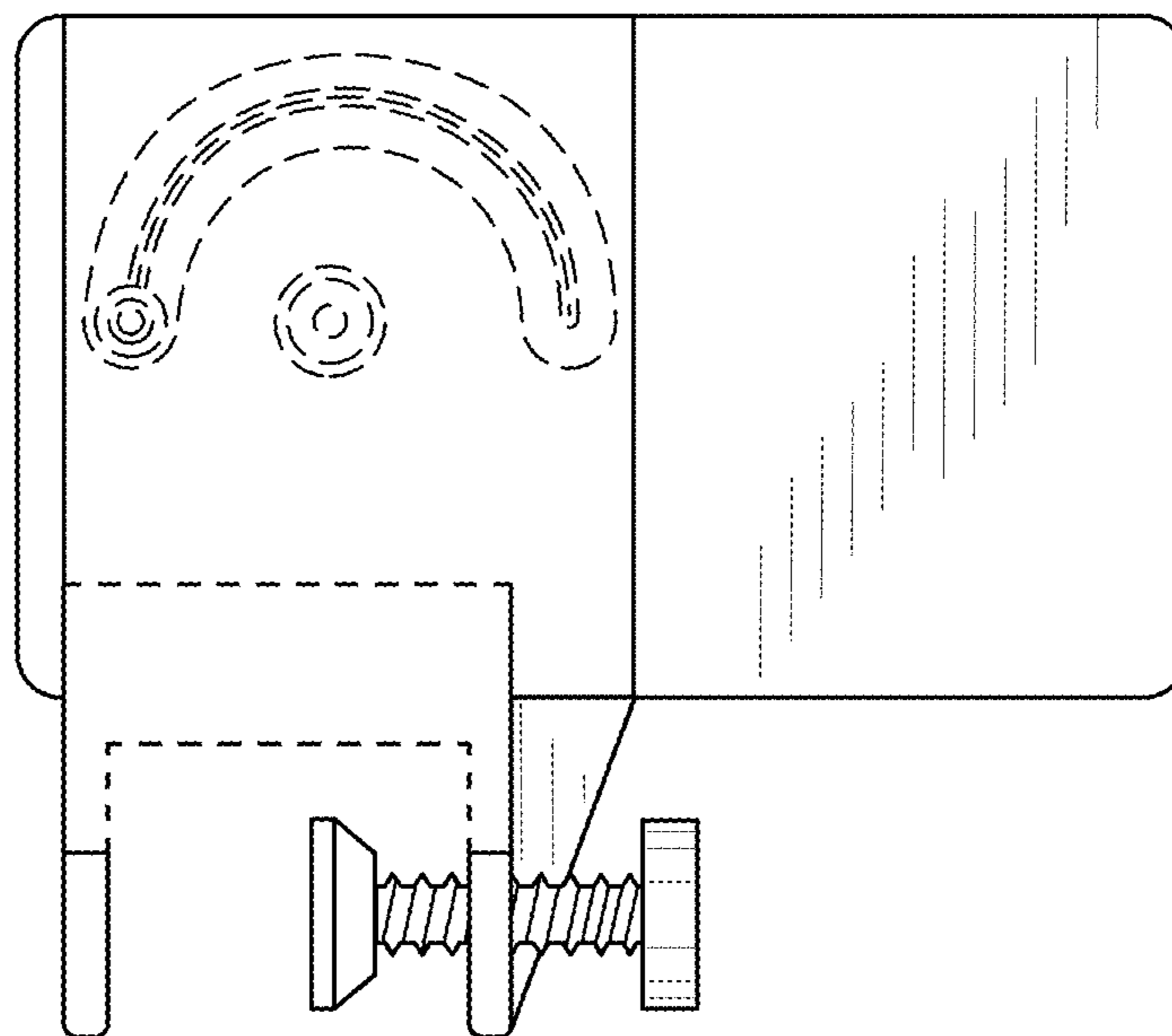


FIG. 7