



US00D793398S

(12) **United States Design Patent** (10) **Patent No.:** **US D793,398 S**
Feldstein et al. (45) **Date of Patent:** **** Aug. 1, 2017**

(54) **PORTABLE MULTI-CONNECTOR HUB**

8,358,665 B2 1/2013 Raveendran
D685,773 S 7/2013 Katarow et al.
D702,686 S * 4/2014 Gerber D14/433
(Continued)

(71) Applicant: **Crestron Electronics, Inc.**, Rockleigh, NJ (US)

Primary Examiner — Austin Murphy
(74) *Attorney, Agent, or Firm* — Crestron Electronics, Inc

(72) Inventors: **Wendy Feldstein**, Rockleigh, NJ (US);
Sae Jhun, Rockleigh, NJ (US)

(73) Assignee: **Crestron Electronics, Inc.**, Rockleigh, NJ (US)

(57) **CLAIM**

The ornamental design for a portable multi-connector hub, as shown and described.

(**) Term: **15 Years**

DESCRIPTION

(21) Appl. No.: **29/578,882**

FIG. 1 illustrates a top left perspective view of a portable multi-connector hub according to aspects of the embodiments.

(22) Filed: **Sep. 26, 2016**

FIG. 2 illustrates a top right perspective view of a portable multi-connector hub according to aspects of the embodiments.

(51) **LOC (10) Cl.** **14-02**

(52) **U.S. Cl.**
USPC **D14/433**

(58) **Field of Classification Search**
USPC D14/356, 432-434, 453, 454, 511, 203.8, D14/209.1, 238.1, 240, 125, 435.1; 439/638, 928, 105, 502; 710/303, 304, 710/305; 361/679.41, 679.55, 679.56; D13/110, 133, 146, 108; 320/111
CPC G06K 19/005; G06K 19/07732; H05K 5/0278; G09F 23/10
See application file for complete search history.

FIG. 3 illustrates a bottom perspective view of a portable multi-connector hub according to aspects of the embodiments.

FIG. 4 illustrates a top view of a portable multi-connector hub according to aspects of the embodiments.

FIG. 5 illustrates a left side view of a portable multi-connector hub according to aspects of the embodiments.

FIG. 6 illustrates a front side view of a portable multi-connector hub according to aspects of the embodiments.

FIG. 7 illustrates a right side view of a portable multi-connector hub according to aspects of the embodiments.

FIG. 8 illustrates a rear side view of a portable multi-connector hub according to aspects of the embodiments; and,

FIG. 9 illustrates a bottom side view of a portable multi-connector hub according to aspects of the embodiments.

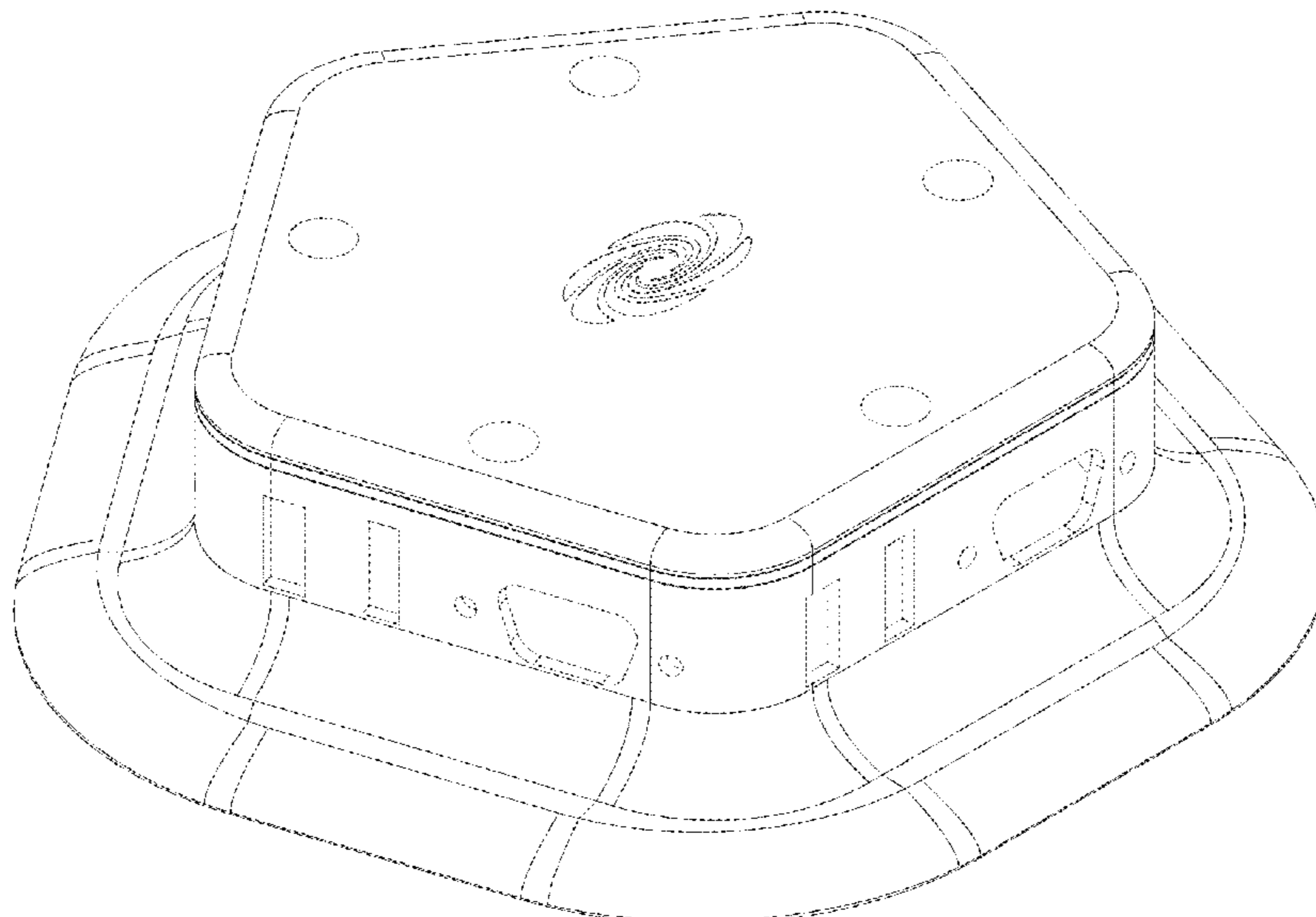
The broken line portion of the figure drawings is included to show unclaimed subject matter only and forms no part of the claimed design.

(56) **References Cited**

U.S. PATENT DOCUMENTS

5,568,963 A	10/1996	Bennett et al.	
D433,994 S *	11/2000	Jobs	D13/110
D471,542 S	3/2003	Sim	
D473,546 S	4/2003	Hovanky et al.	
D516,074 S *	2/2006	Ho	D14/433
D530,316 S	10/2006	Hsu et al.	
D558,761 S	1/2008	Viduya et al.	
D601,150 S *	9/2009	Romero	D14/433
D638,426 S	5/2011	Ikeda et al.	

1 Claim, 9 Drawing Sheets



(56)

References Cited

U.S. PATENT DOCUMENTS

8,843,178	B1	9/2014	Wong	
D719,153	S	12/2014	Lim et al.	
D732,614	S	* 6/2015	Davies, III	D21/680
D737,825	S	* 9/2015	Kumar	D14/433
D746,290	S	* 12/2015	Spinella	D14/433
D755,790	S	* 5/2016	Salvatori	D14/433
D784,307	S	* 4/2017	Yoon	D14/240
D784,963	S	* 4/2017	Saule	D14/228
2005/0265395	A1	12/2005	Kim et al.	
2008/0018789	A1	1/2008	Lin	
2008/0247576	A1	10/2008	Marlowe	

* cited by examiner

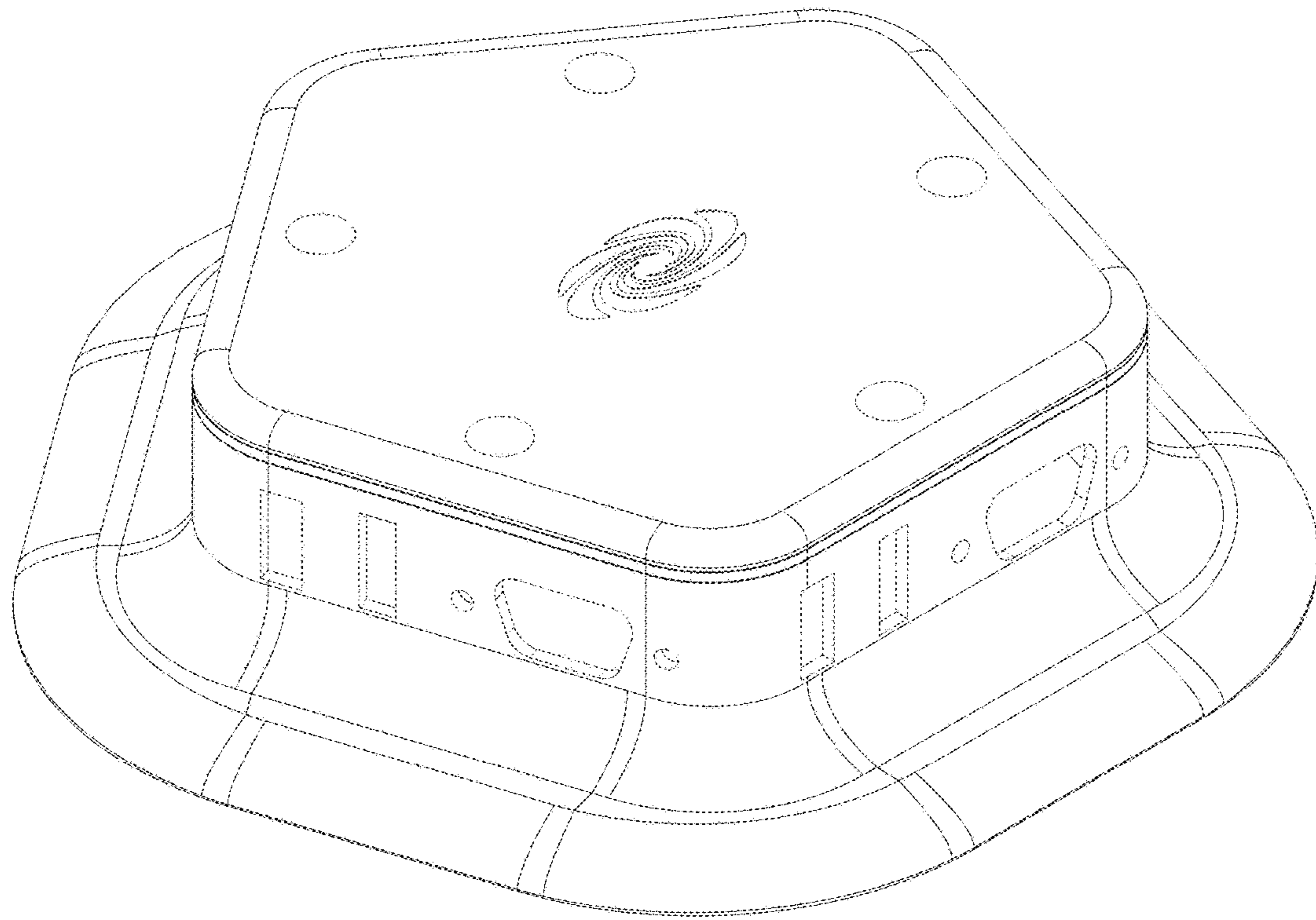


FIG. 1

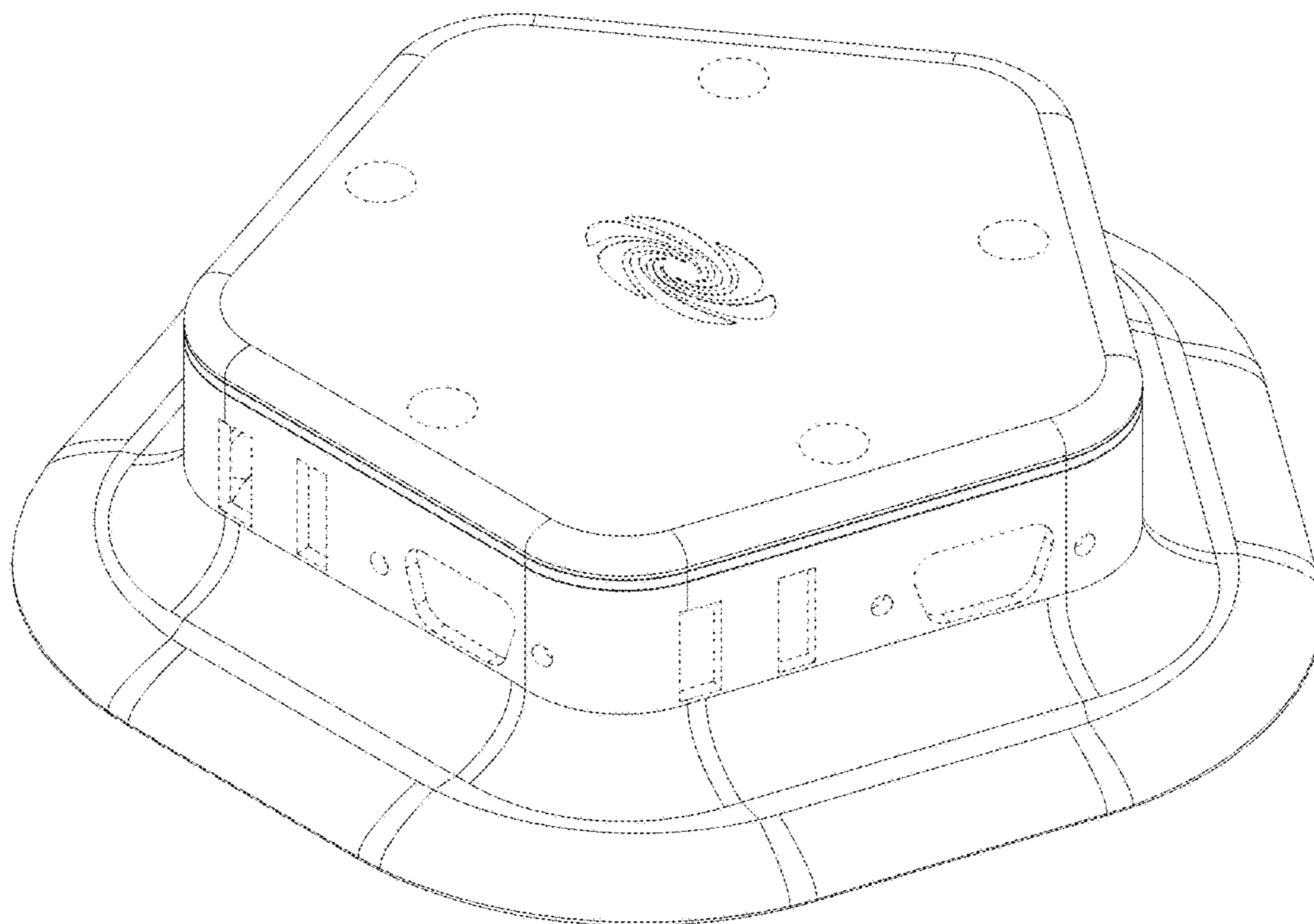


FIG. 2

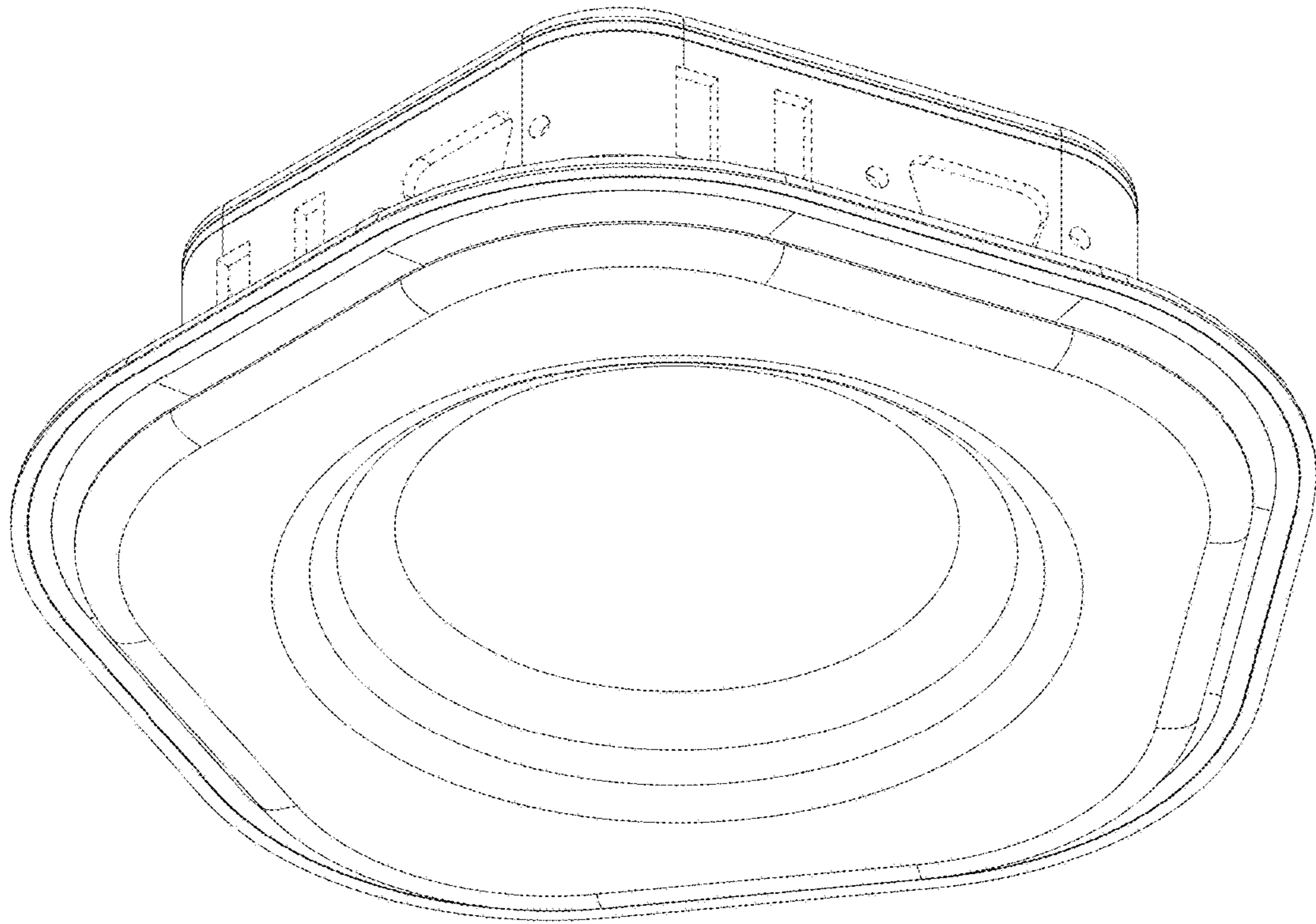


FIG. 3

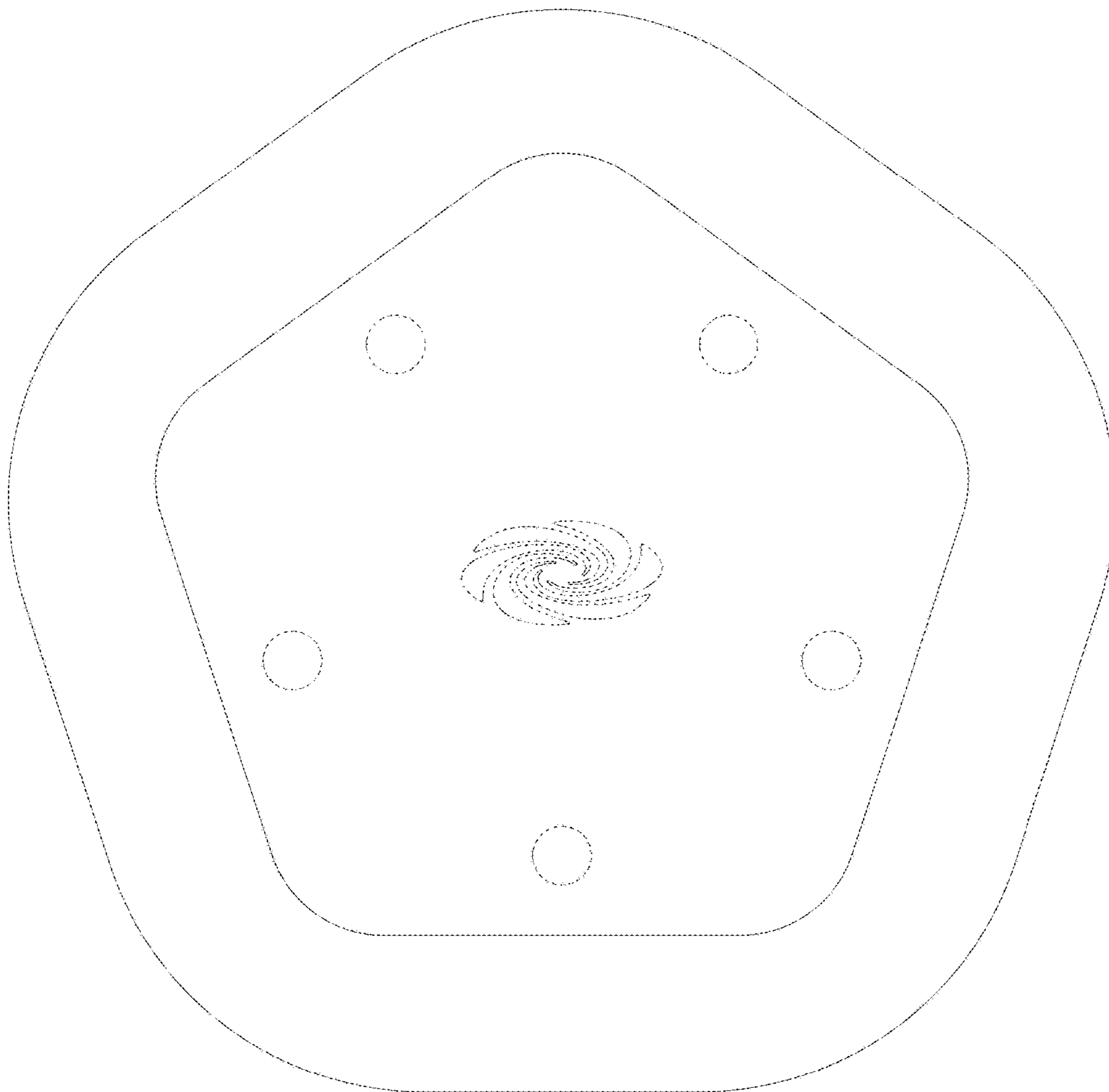


FIG. 4

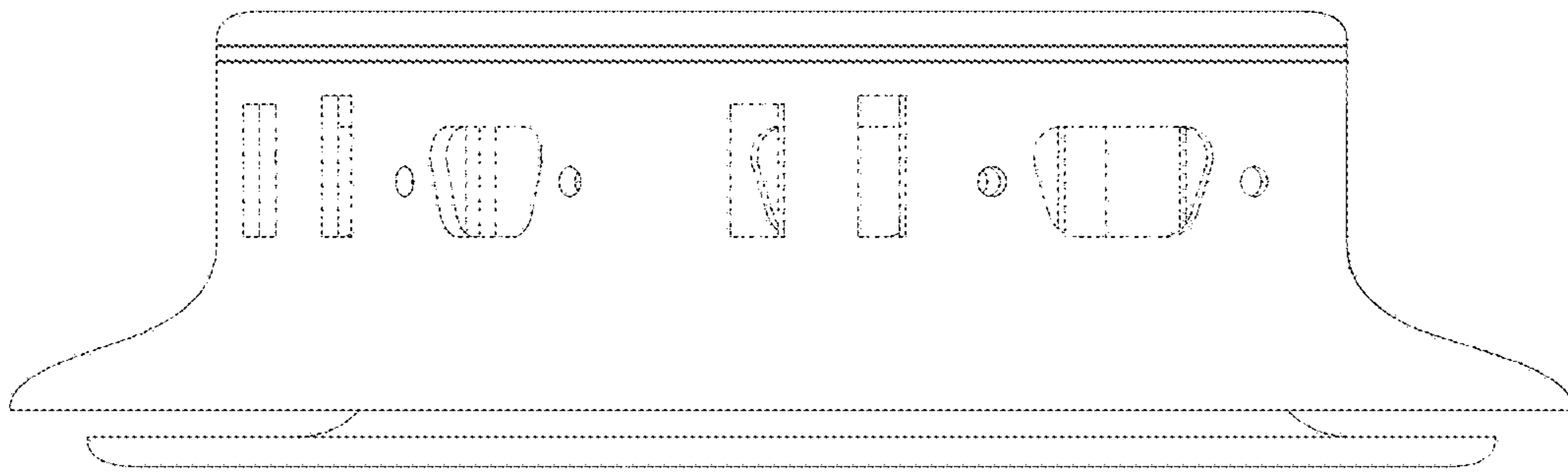


FIG. 5

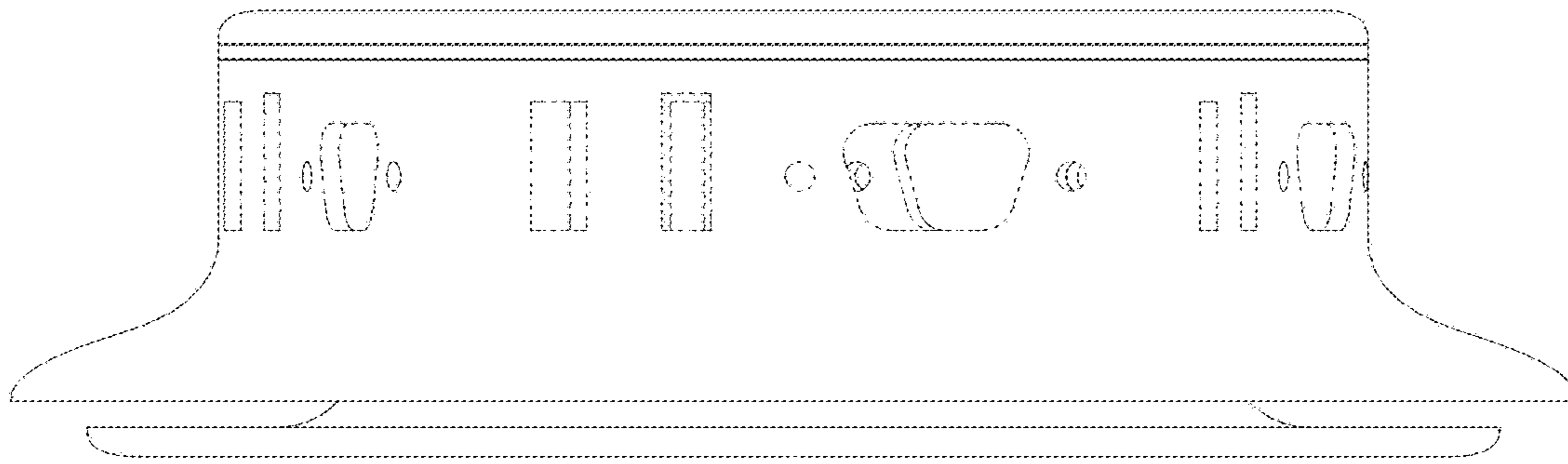


FIG. 6

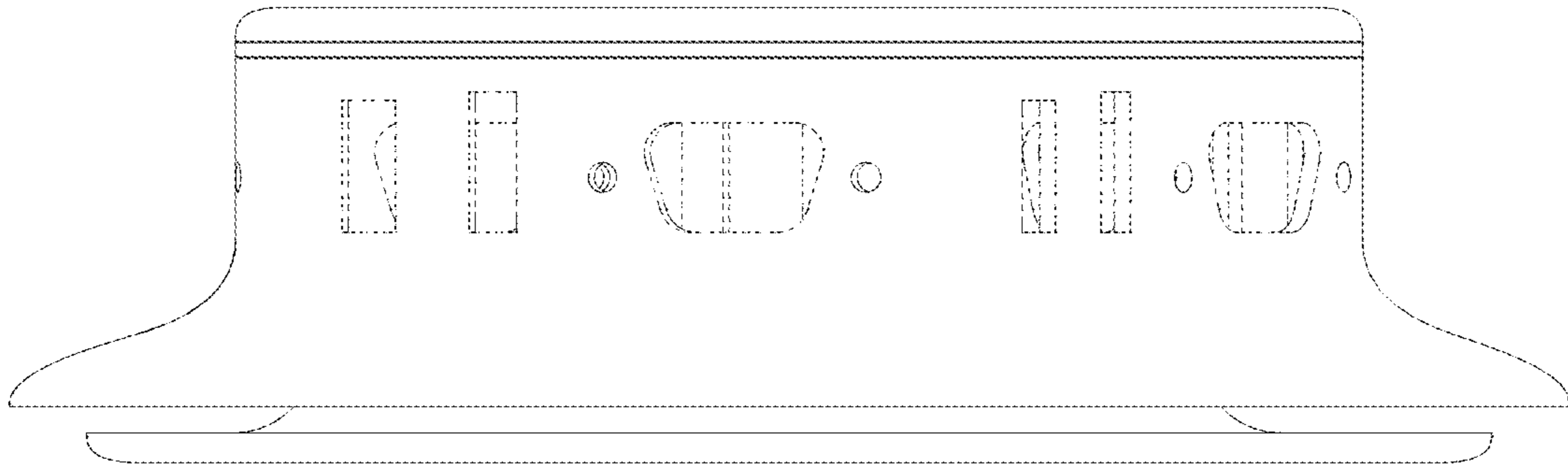


FIG. 7

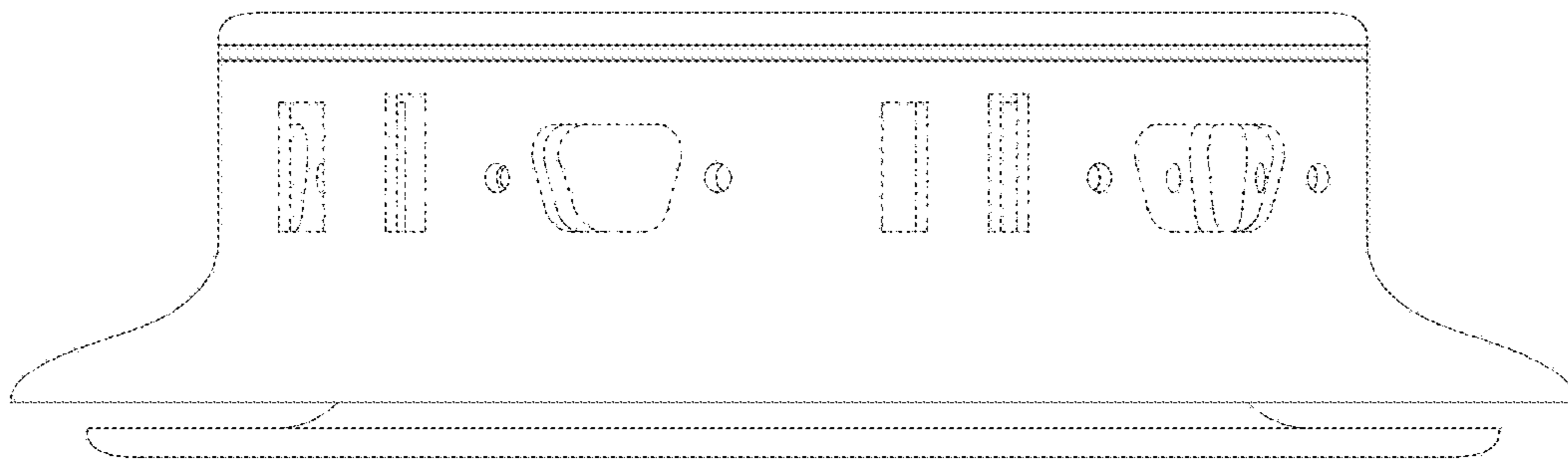


FIG. 8

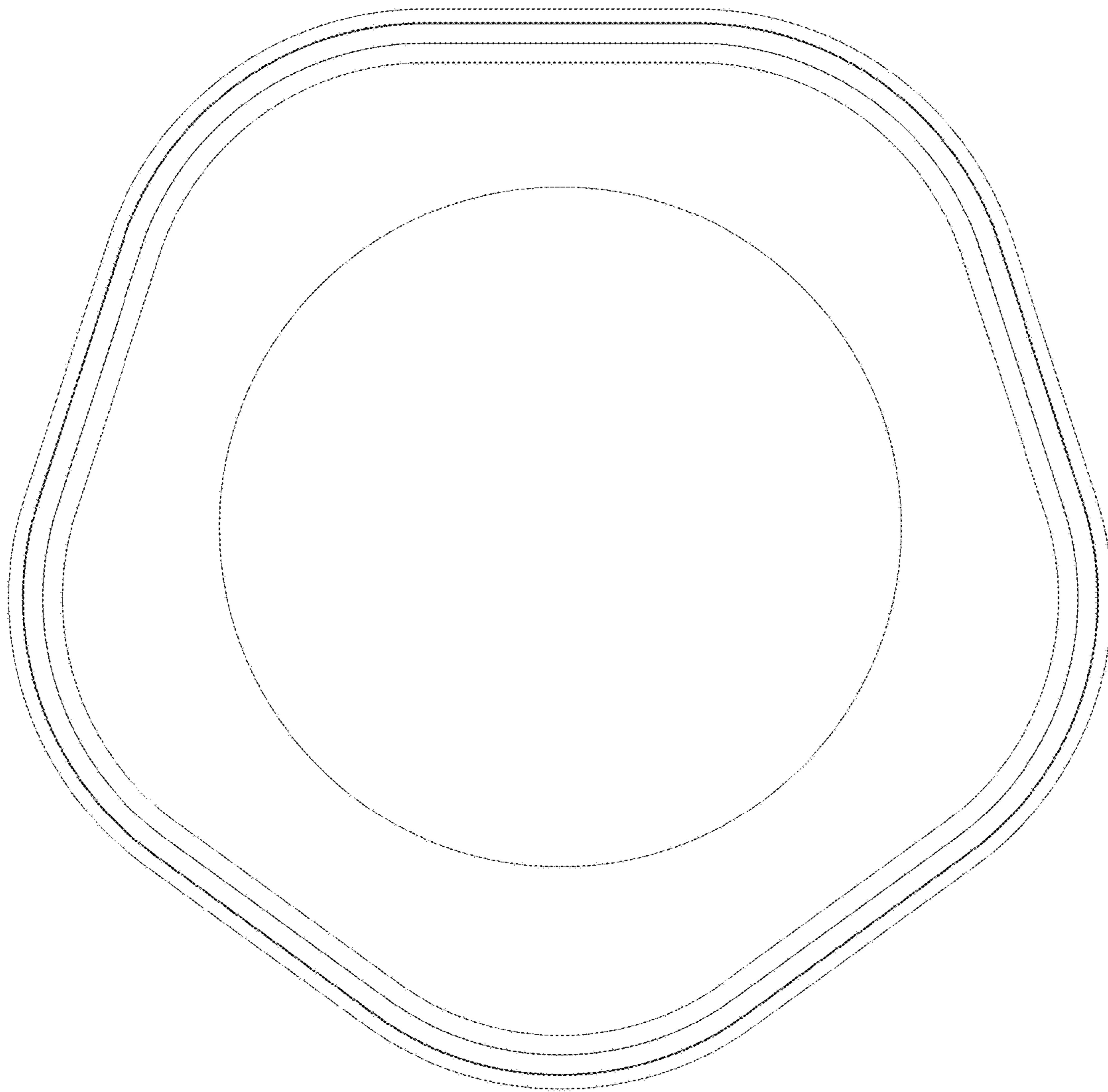


FIG. 9