



US00D793396S

(12) **United States Design Patent** (10) **Patent No.:** **US D793,396 S**
Hirschmann et al. (45) **Date of Patent:** **** Aug. 1, 2017**

(54) **SCANNER HOUSING**

(71) Applicants: **Aaron Hirschmann**, Lake Geneva, WI (US); **John A. Smid**, Lake Geneva, WI (US)

(72) Inventors: **Aaron Hirschmann**, Lake Geneva, WI (US); **John A. Smid**, Lake Geneva, WI (US)

(73) Assignee: **Plas-Tech Engineering, Inc.**, Lake Geneva, WI (US)

(**) Term: **15 Years**

(21) Appl. No.: **29/560,899**

(22) Filed: **Apr. 12, 2016**

(51) **LOC (10) Cl.** **14-02**

(52) **U.S. Cl.**
USPC **D14/420**

(58) **Field of Classification Search**
USPC D14/420, 426-430, 453, 383-385; 235/462.01, 462.11, 462.43, 462.45, 235/462.49, 472.01, 385, 454; 382/313, 382/321, 318; 358/473; 250/215, 216; D26/37-50, 24; 362/157, 158, 171-174, 362/183-208; 396/427; D24/186, 158, D24/155, 107, 161, 232
CPC G06K 7/10584; G06K 7/10613; G06K 7/10881; G06K 7/109; G06K 7/10693; G06K 7/10871; G06K 7/1096; G06K 7/10; G06K 7/10564; G06K 7/10594; G06K 7/10603; G06K 7/10663; G06K 7/10673; G06K 7/10702; G06K 7/10653; G06K 7/10891; G06K 7/14; G06K 7/1443; G06K 7/10801; G06K 7/10811; G06K 7/10851; G06K 7/10861; G06K 2207/1011; G06K 2207/1012; G06K 2207/1013; G06K 2207/1016; G06K 2207/1017; G06K 2207/1018; G06K 2207/10534; G06K 17/022; G06K

7/10821; A47F 9/046; A47F 9/047; G07G 1/0045; G04N 5/23238; G04N 5/2252; G04N 5/2251; G03B 17/02; B25H 5/00; B66F 7/28; G02B 26/10; G02B 26/106; G07F 11/002; G07F 11/02; G06Q 20/343; G06F 2203/0331; G06F 19/327; A61B 90/96; A61B 90/90; A61B 90/98; A61B 46/40; A61B 46/10; A61B 2017/00902; A61B 2090/364

See application file for complete search history.

(56) **References Cited**

U.S. PATENT DOCUMENTS

D402,768 S * 12/1998 Paoli D24/232
D424,341 S * 5/2000 Anderberg D6/515

(Continued)

Primary Examiner — Susan Moon Lee

(74) *Attorney, Agent, or Firm* — Smith Keane LLP

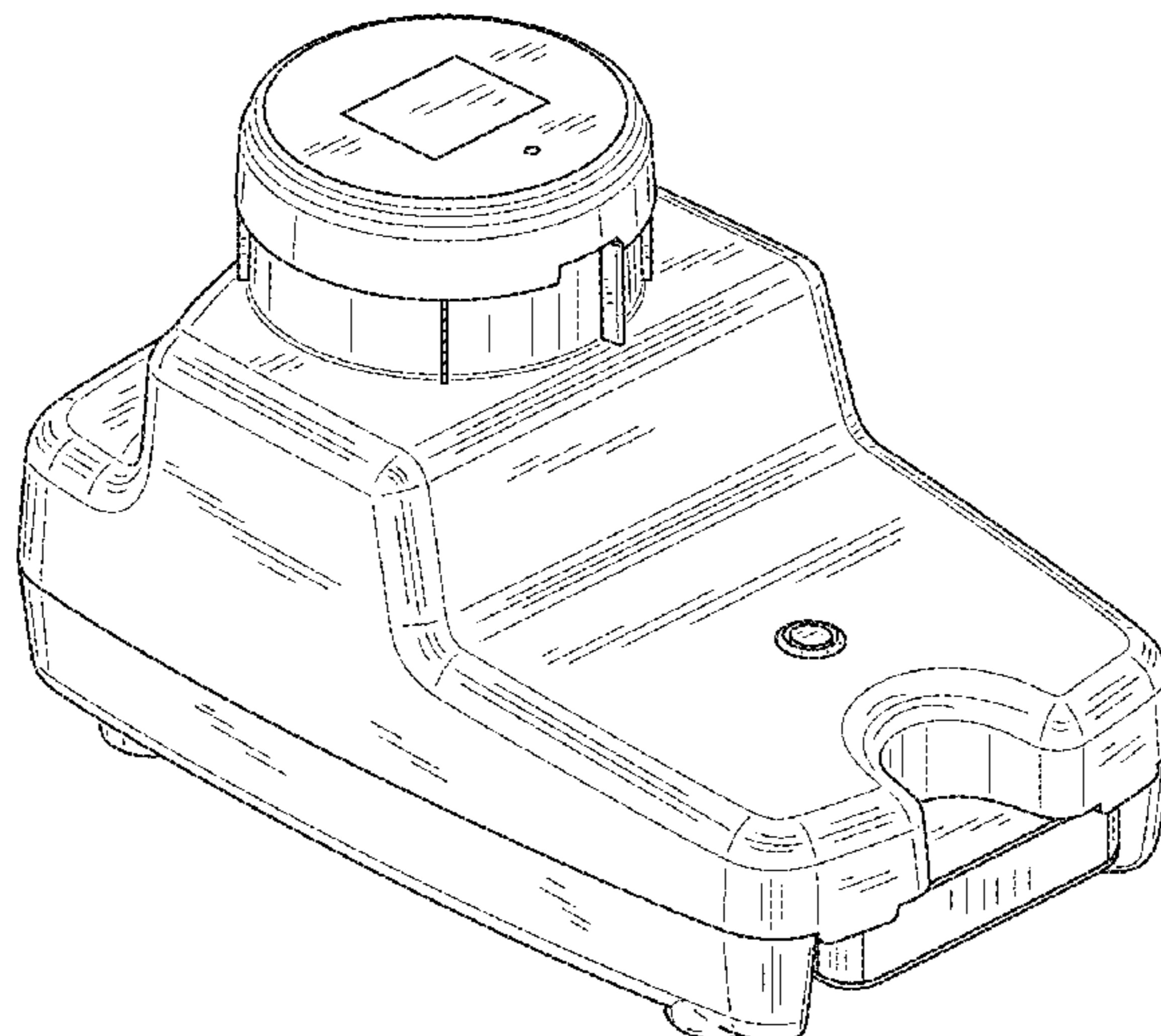
(57) **CLAIM**

The ornamental design for a scanner housing, as shown and described.

DESCRIPTION

FIG. 1 is a perspective view of a first embodiment of the scanner housing;
FIG. 2 is a front elevation view of the embodiment of FIG. 1;
FIG. 3 is a rear elevation view of the embodiment of FIG. 1;
FIG. 4 is a right side elevation view of the embodiment of FIG. 1;
FIG. 5 is a left side elevation view of the embodiment of FIG. 1;
FIG. 6 is a top plan view of the embodiment of FIG. 1; and, FIG. 7 is a bottom plan view of the embodiment of FIG. 1. Elements shown in broken lines are for illustrative purposes only and form no part of the claimed design.

1 Claim, 5 Drawing Sheets



(56)

References Cited

U.S. PATENT DOCUMENTS

D425,347	S *	5/2000	Anderberg	D6/515
D457,646	S *	5/2002	Hool	D24/231
D612,179	S *	3/2010	Huang	D6/518
D642,690	S *	8/2011	Altmann	D24/186
D658,298	S *	4/2012	Prpa	D24/186
8,146,825	B1	4/2012	Prpa	
D677,793	S *	3/2013	Prpa	D24/186
D677,794	S *	3/2013	Prpa	D24/186
D679,818	S *	4/2013	Prpa	D24/186
8,430,320	B2	4/2013	Prpa	
8,651,385	B2	2/2014	Prpa	
D712,543	S *	9/2014	Maier	D24/186
D712,544	S *	9/2014	Maier	D24/186
D736,905	S *	8/2015	Winter	D24/107
2013/0327836	A1	12/2013	Prpa	

* cited by examiner

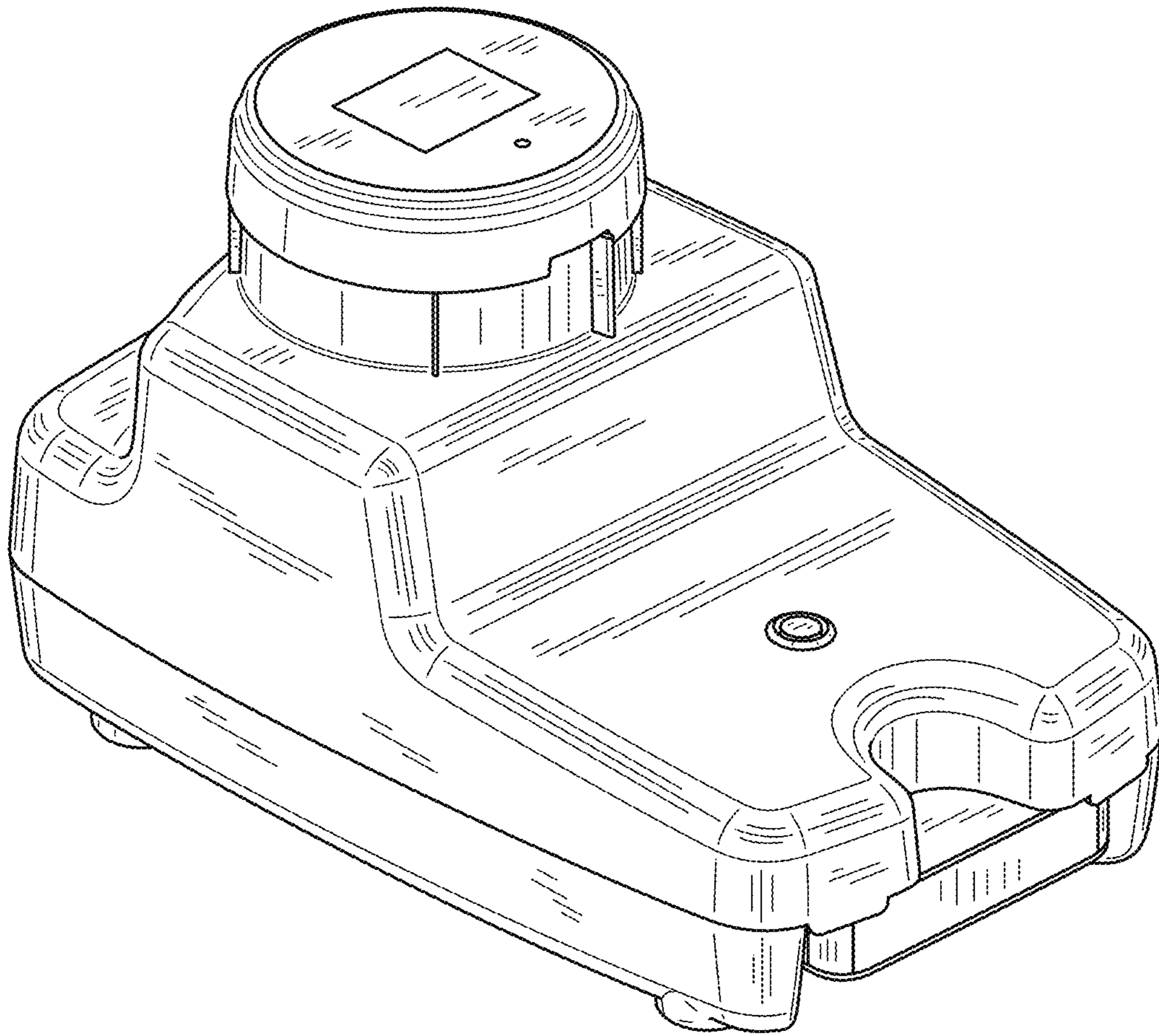


FIG.1

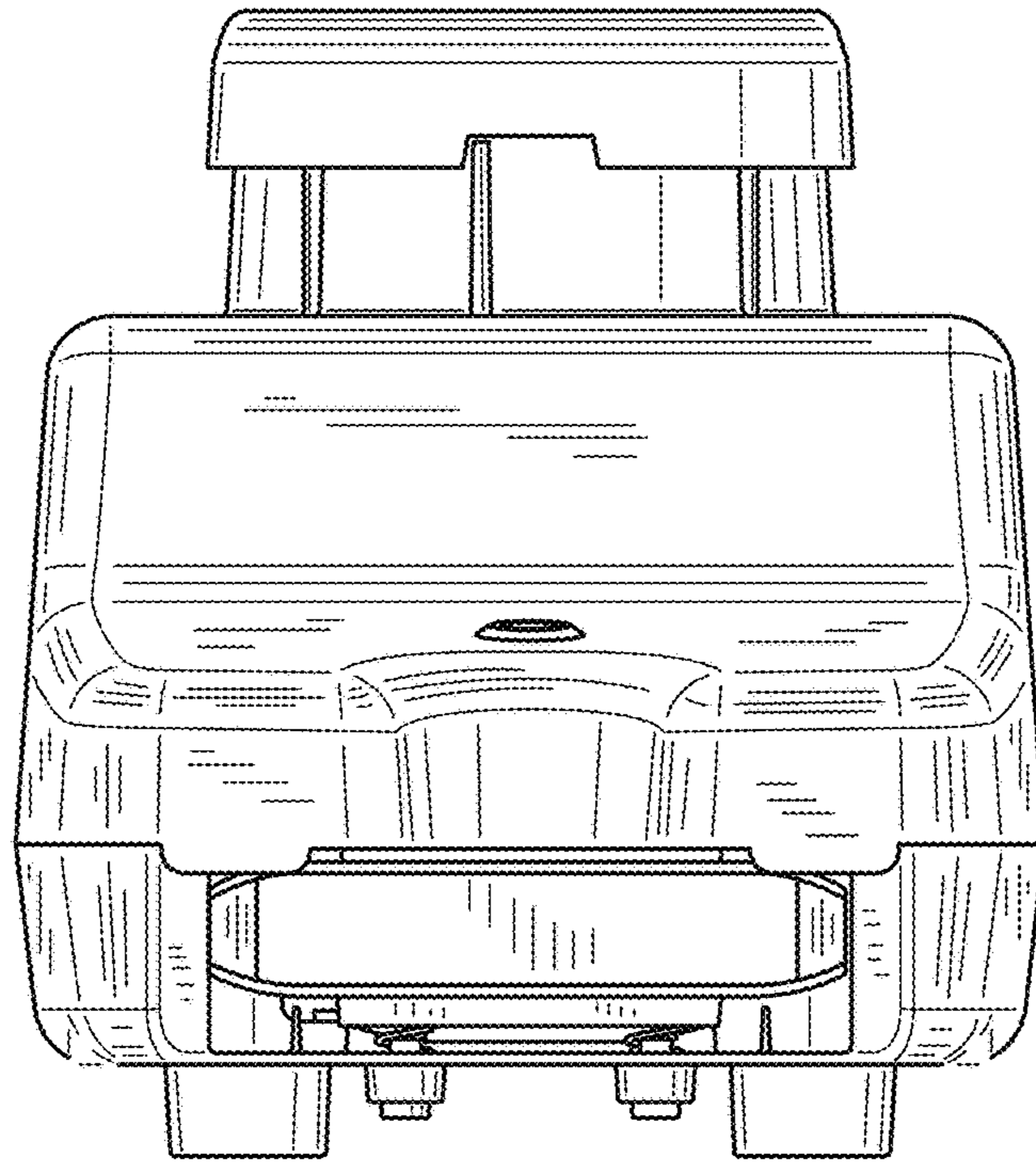


FIG. 2

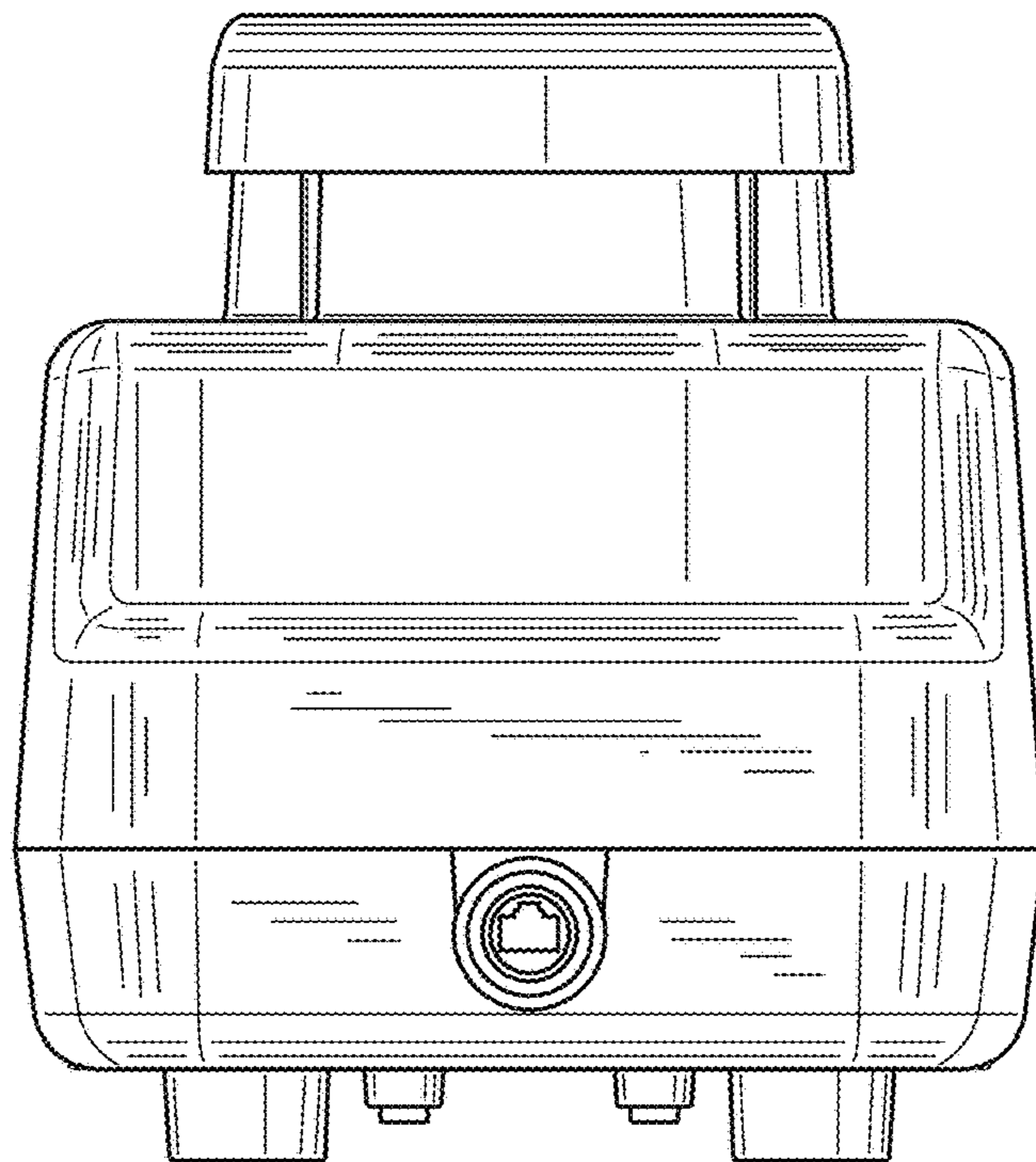


FIG. 3

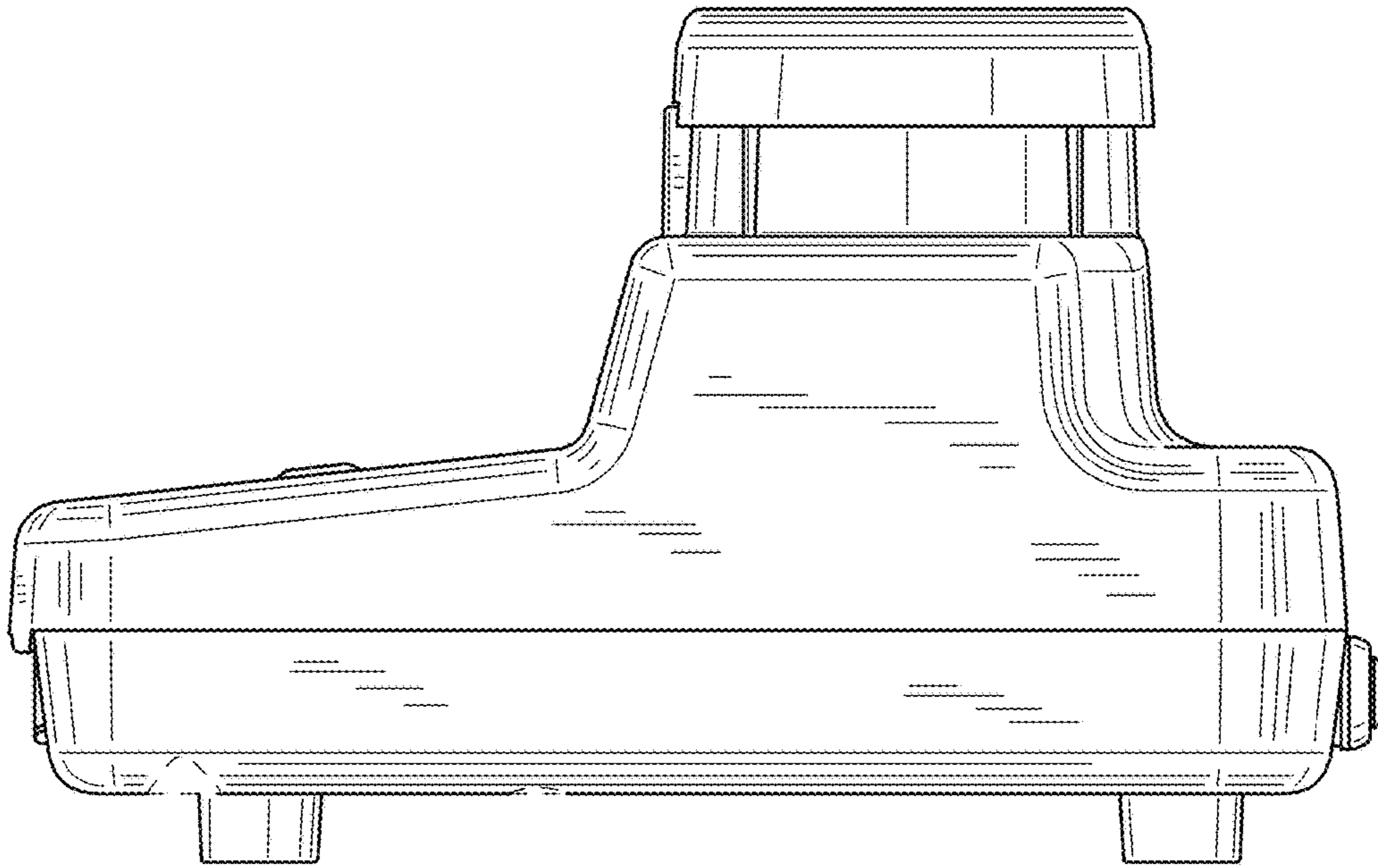


FIG. 4

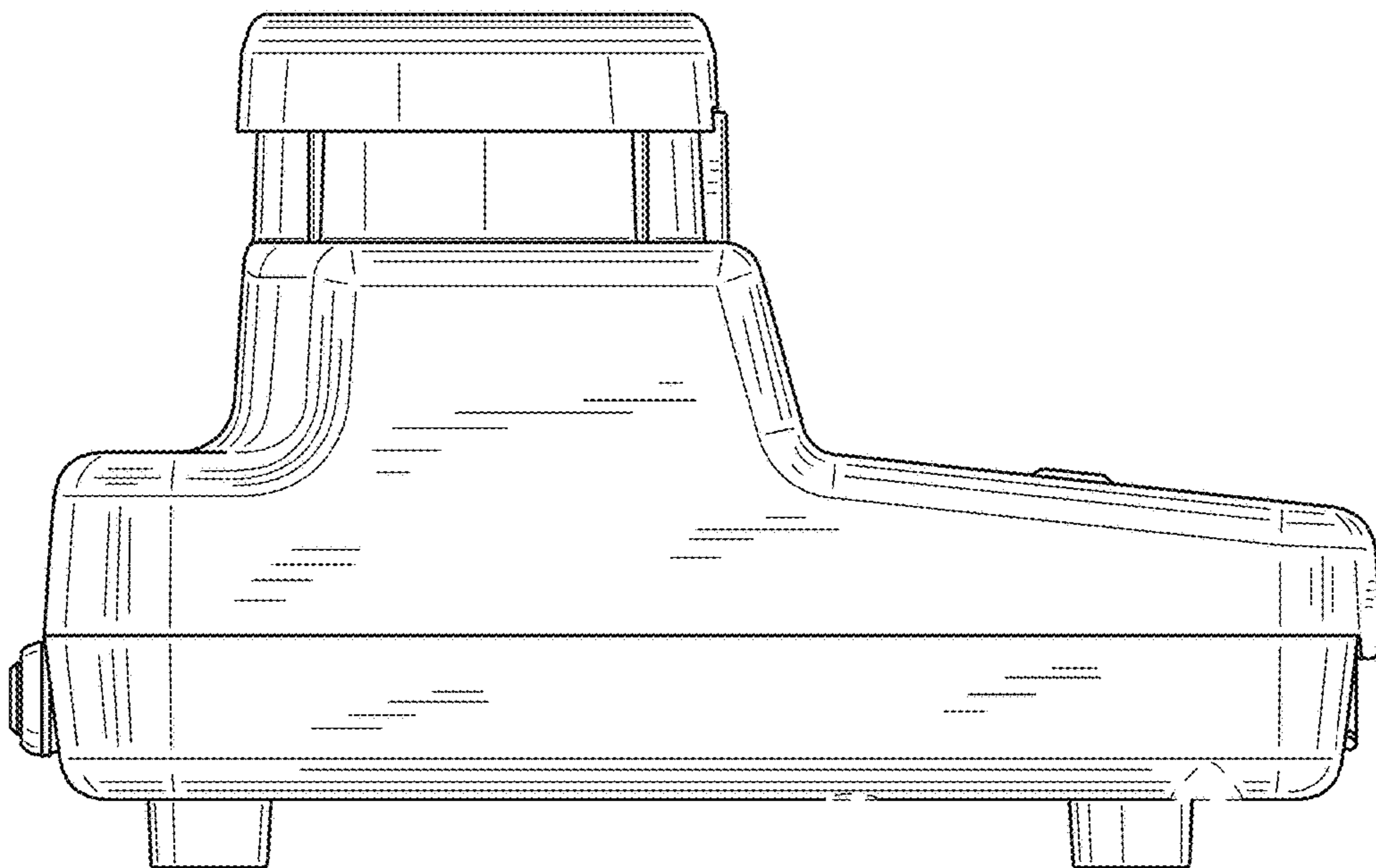


FIG. 5

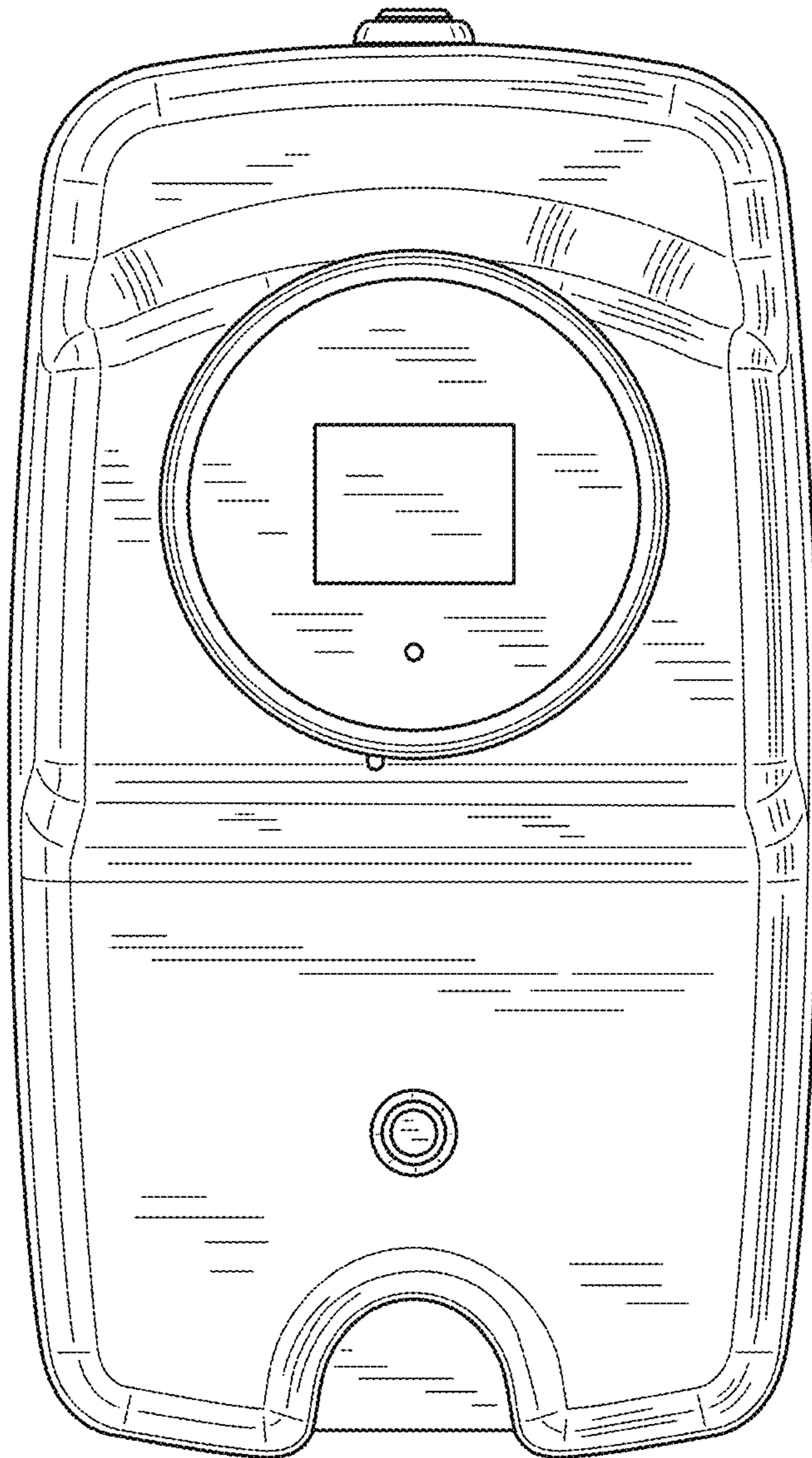


FIG.6

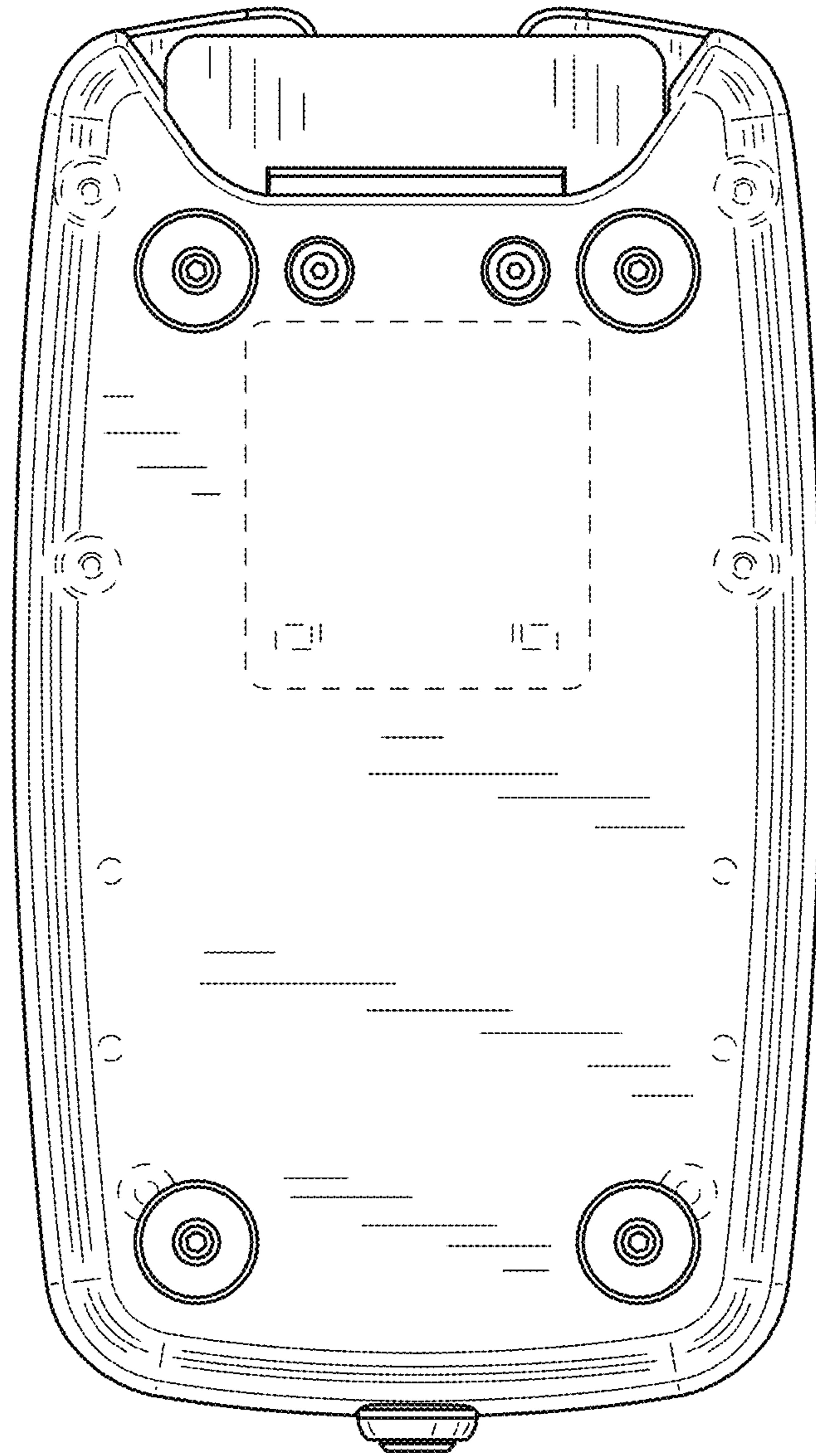


FIG.7