



US00D793394S

(12) **United States Design Patent** (10) **Patent No.:** **US D793,394 S**
Li (45) **Date of Patent:** **** Aug. 1, 2017**

(54) **COMPUTER MOUSE**

(71) Applicant: **Weicheng Li**, Beijing (CN)

(72) Inventor: **Weicheng Li**, Beijing (CN)

(**) Term: **15 Years**

(21) Appl. No.: **29/557,042**

(22) Filed: **Mar. 4, 2016**

(51) **LOC (10) Cl.** **14-02**

(52) **U.S. Cl.**
USPC **D14/409**

(58) **Field of Classification Search**

USPC D14/402-411, 356, 388, 389, 383-385,
D14/417, 426; 345/156-167; 463/36-38;
358/471, 473; 273/148 B
CPC G06F 3/03543; G06F 2203/0333; G06F
3/039; G06F 3/038; G06F 2203/0384
See application file for complete search history.

(56) **References Cited**

U.S. PATENT DOCUMENTS

D437,852 S *	2/2001	Ledbetter	D14/402
D438,209 S *	2/2001	Ledbetter	D14/402
D533,554 S *	12/2006	Sheehan	D14/409
D618,685 S *	6/2010	Haase	D14/409
D627,355 S *	11/2010	Blanchard	D14/402
D654,918 S *	2/2012	Cheng	D14/402
D684,577 S *	6/2013	Lee	D14/402
D688,245 S *	8/2013	Guerra	D14/409
D688,664 S *	8/2013	Guerra	D14/409
8,754,910 B2 *	6/2014	O'Sullivan G06F 3/03543	345/660

D729,804 S *	5/2015	Jost	D14/410
D742,879 S *	11/2015	Helwig	D14/409
D749,076 S *	2/2016	Helwig	D14/409

* cited by examiner

Primary Examiner — Austin Murphy

(74) *Attorney, Agent, or Firm* — Ming Chow; Sinorica, LLC

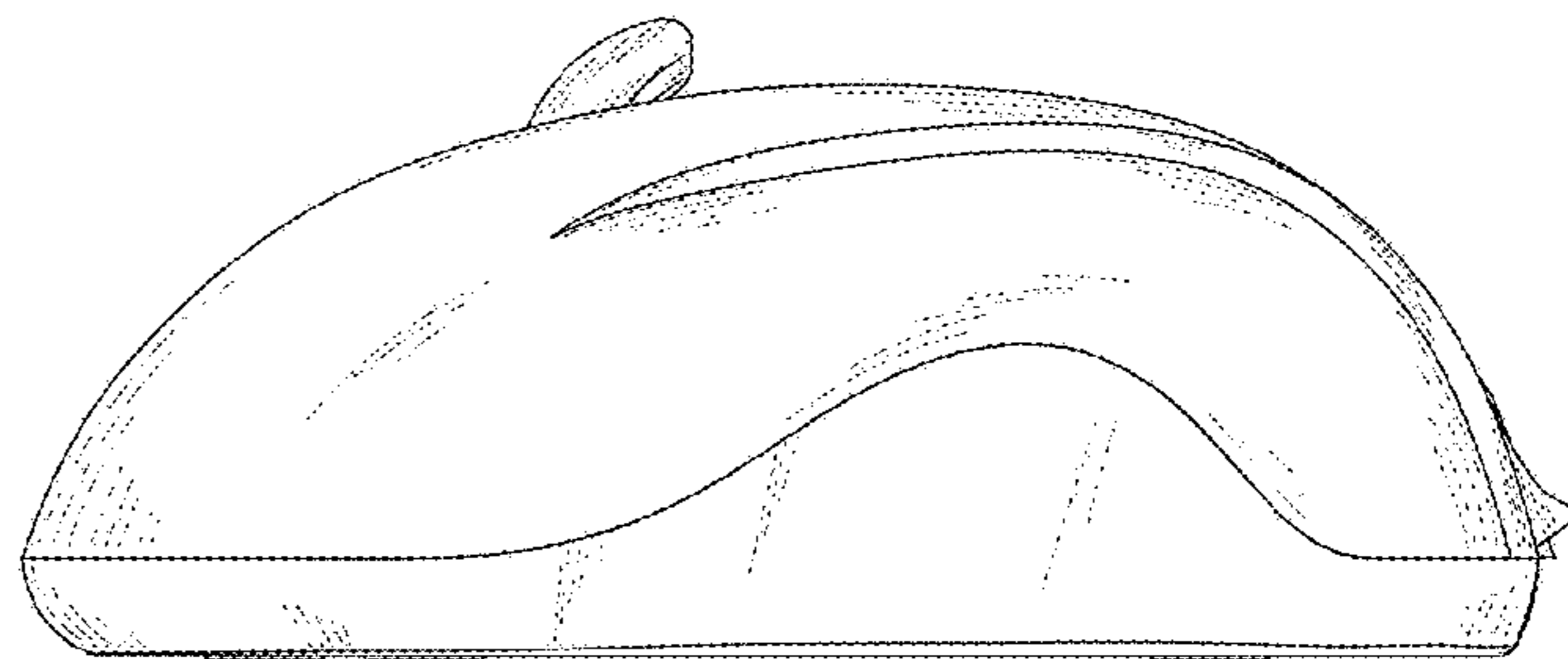
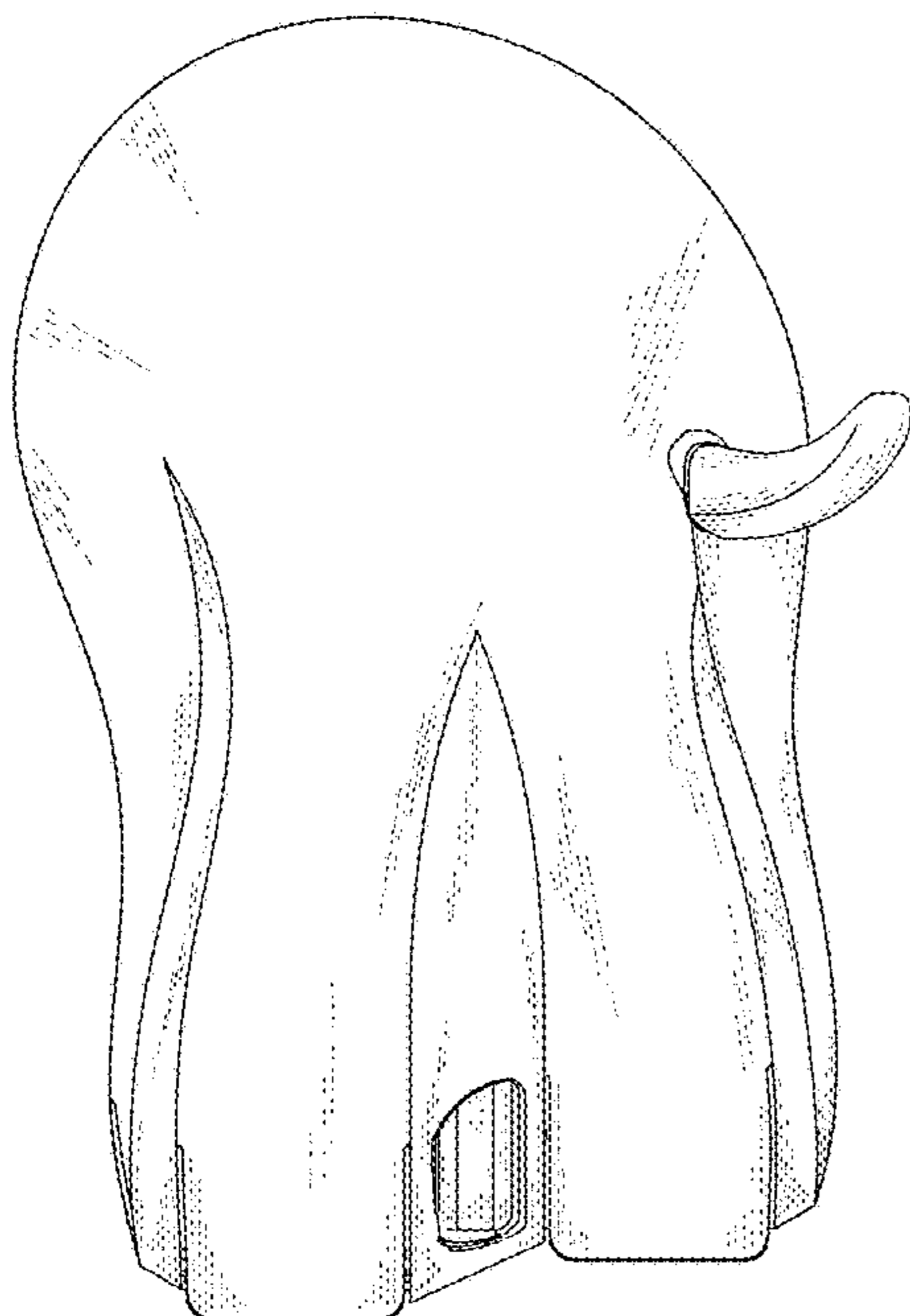
(57) **CLAIM**

The ornamental design for a computer mouse, as shown and described.

DESCRIPTION

FIG. 1 is a front top perspective view of a computer mouse showing of my new design;
FIG. 2 is a front bottom perspective view thereof;
FIG. 3 is a rear top perspective view thereof;
FIG. 4 is a top plan view thereof;
FIG. 5 is a bottom plan view thereof;
FIG. 6 is a left-side elevational view thereof;
FIG. 7 is a right-side elevational view thereof;
FIG. 8 is a front elevational view thereof; and
FIG. 9 is a rear elevational view thereof.
FIG. 10 is a front top perspective view of a second embodiment of the present invention;
FIG. 11 is a front bottom perspective view thereof;
FIG. 12 is a rear top perspective view thereof;
FIG. 13 is a top plan view thereof;
FIG. 14 is a bottom plan view thereof;
FIG. 15 is a left-side elevational view thereof;
FIG. 16 is a right-side elevational view thereof;
FIG. 17 is a front elevational view thereof; and
FIG. 18 is a rear elevational view thereof.

1 Claim, 18 Drawing Sheets



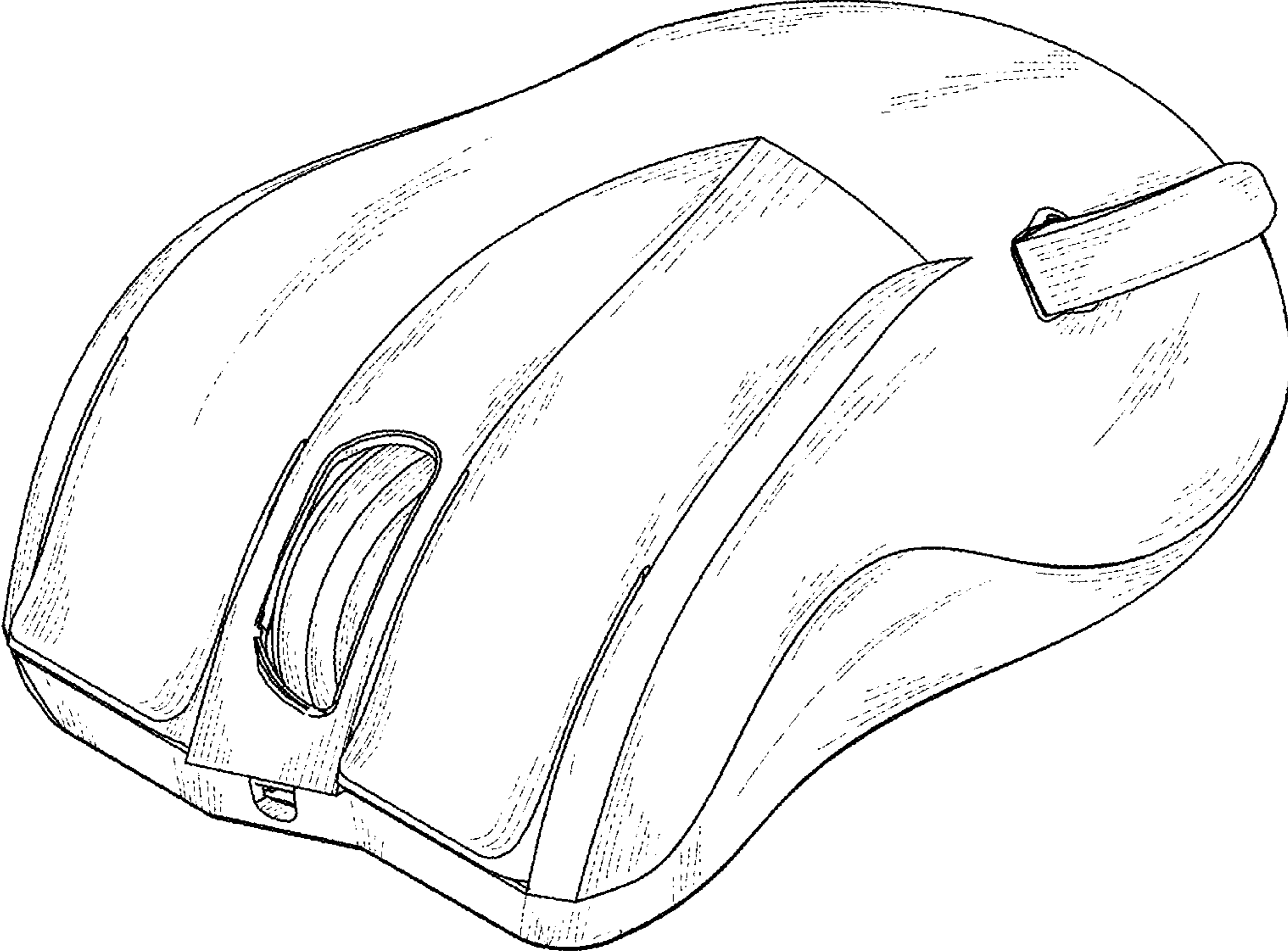


FIG. 1

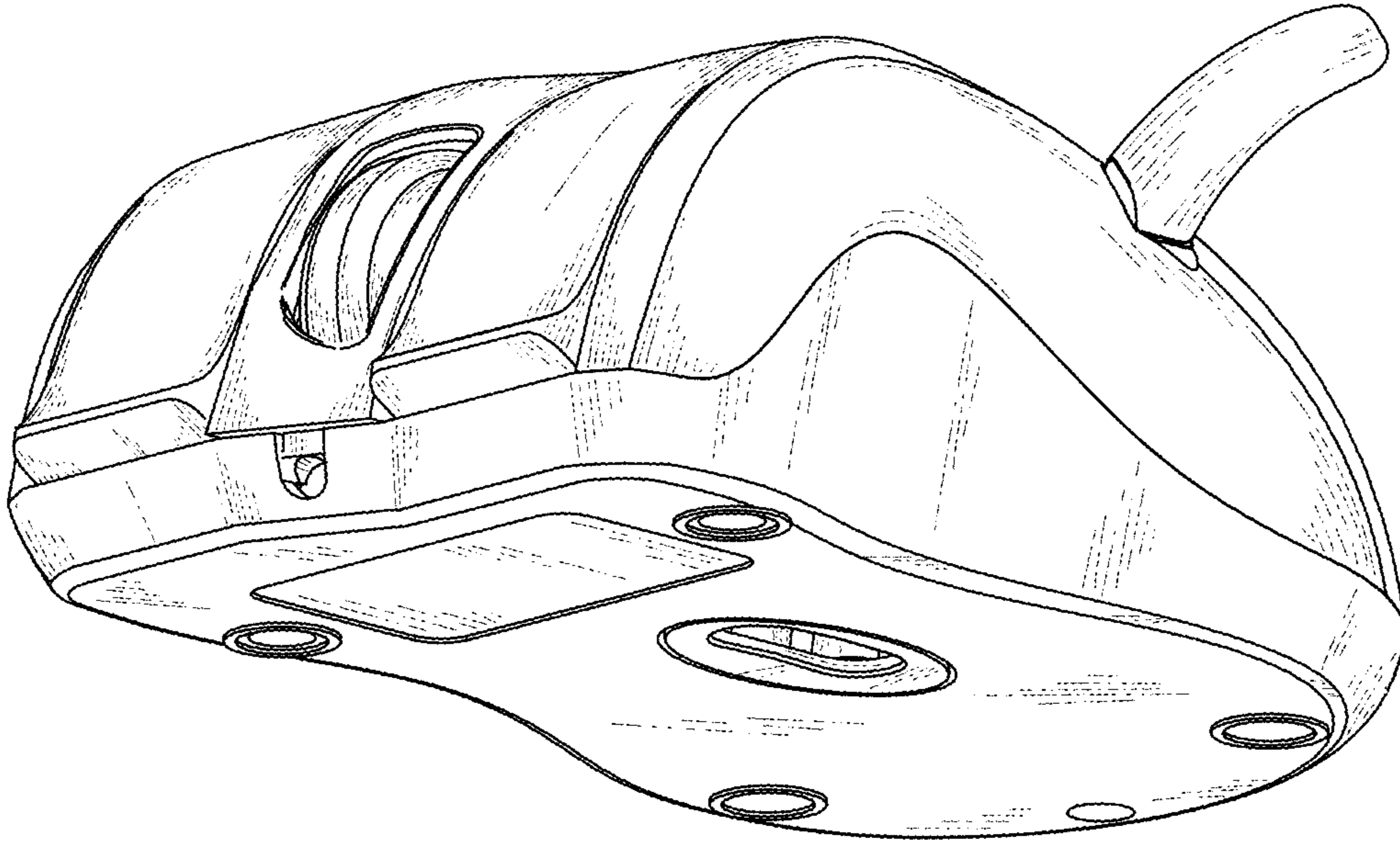


FIG. 2

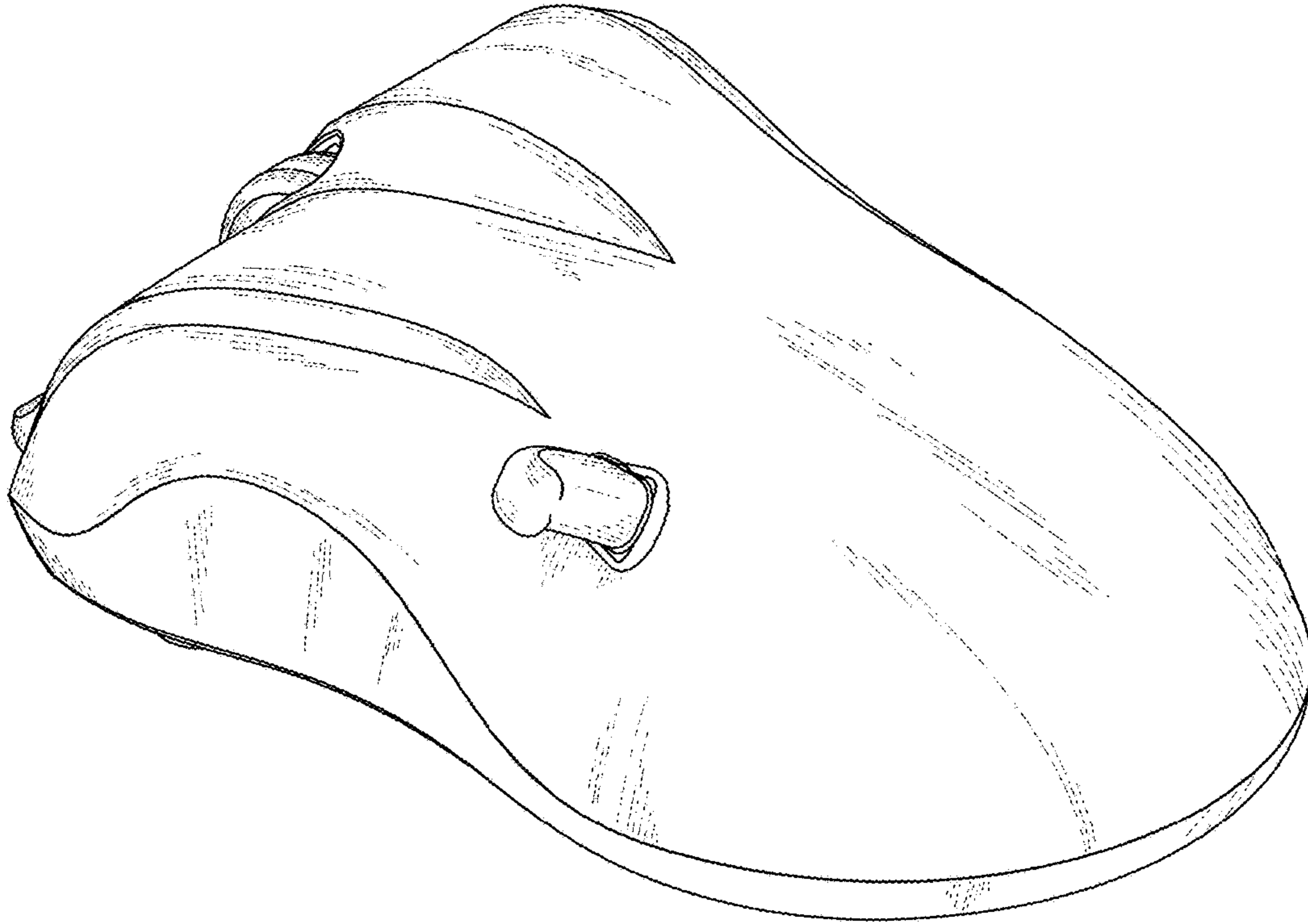


FIG. 3

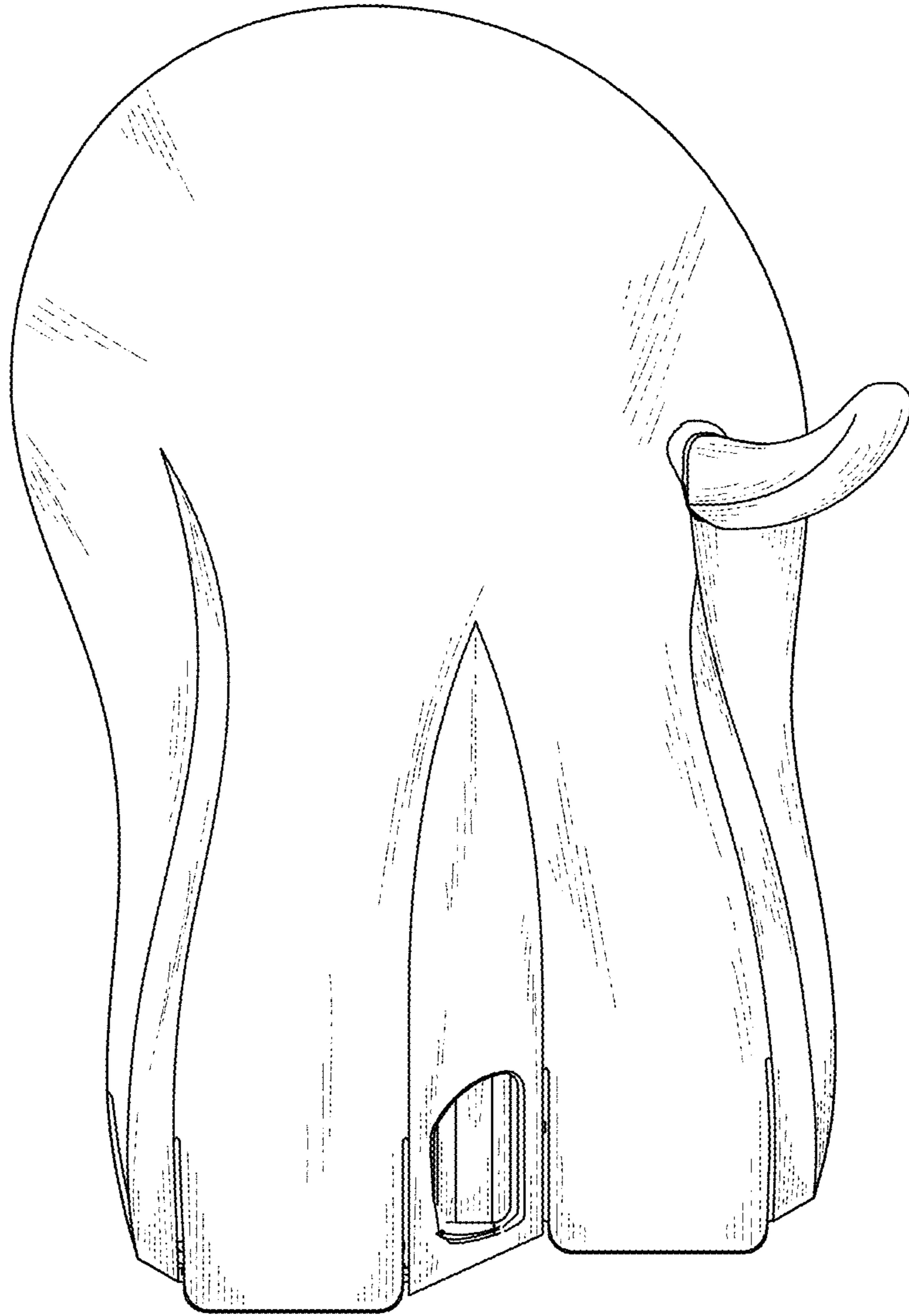


FIG. 4

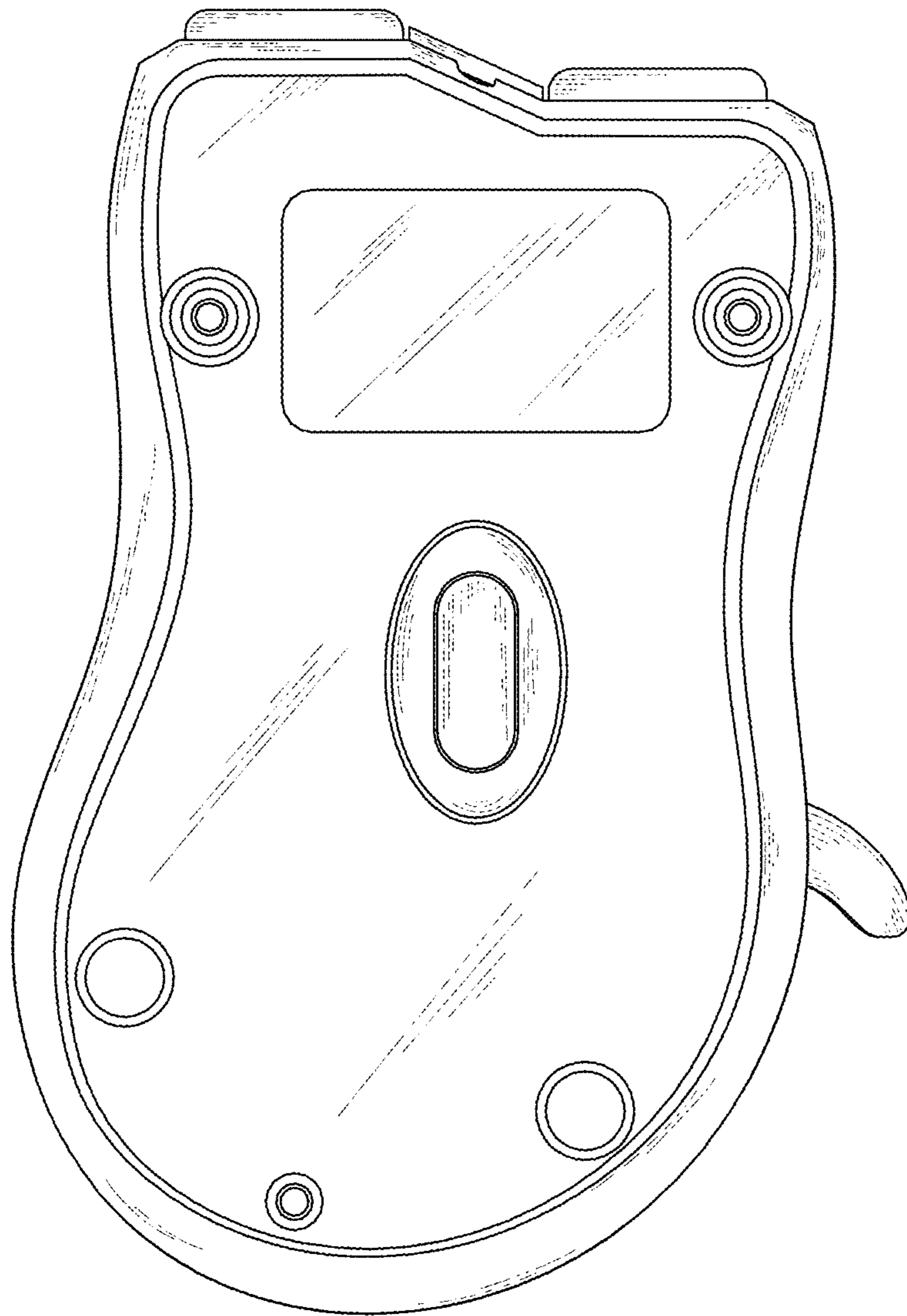


FIG. 5

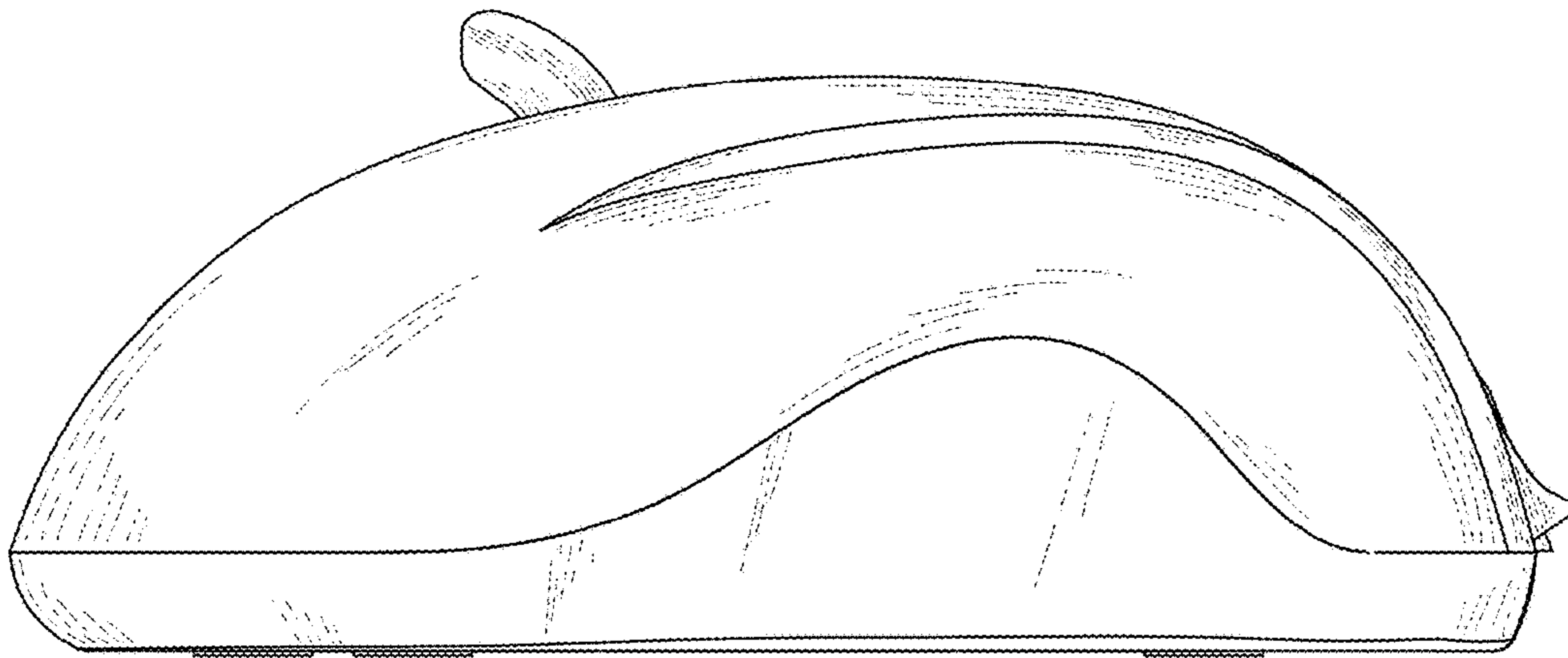


FIG. 6

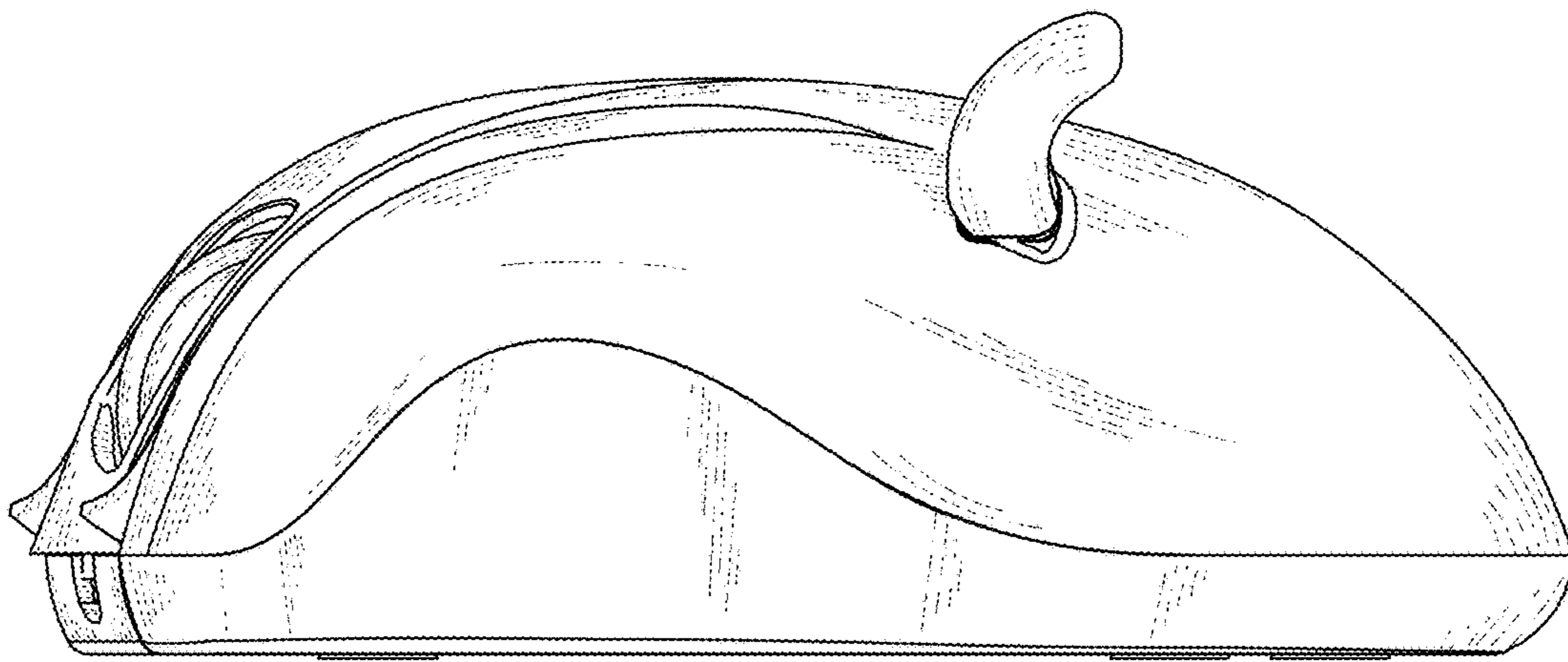


FIG. 7

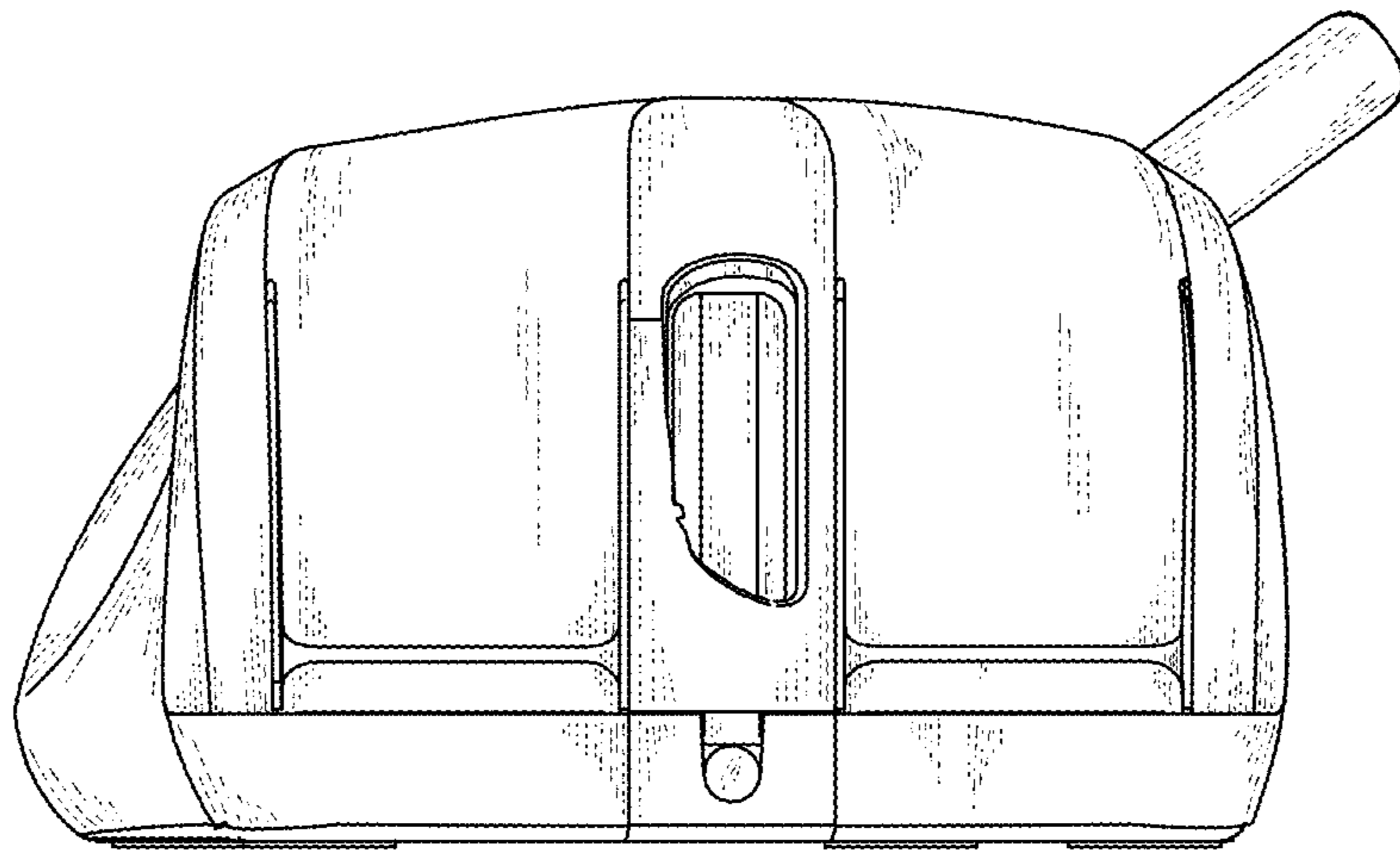


FIG. 8

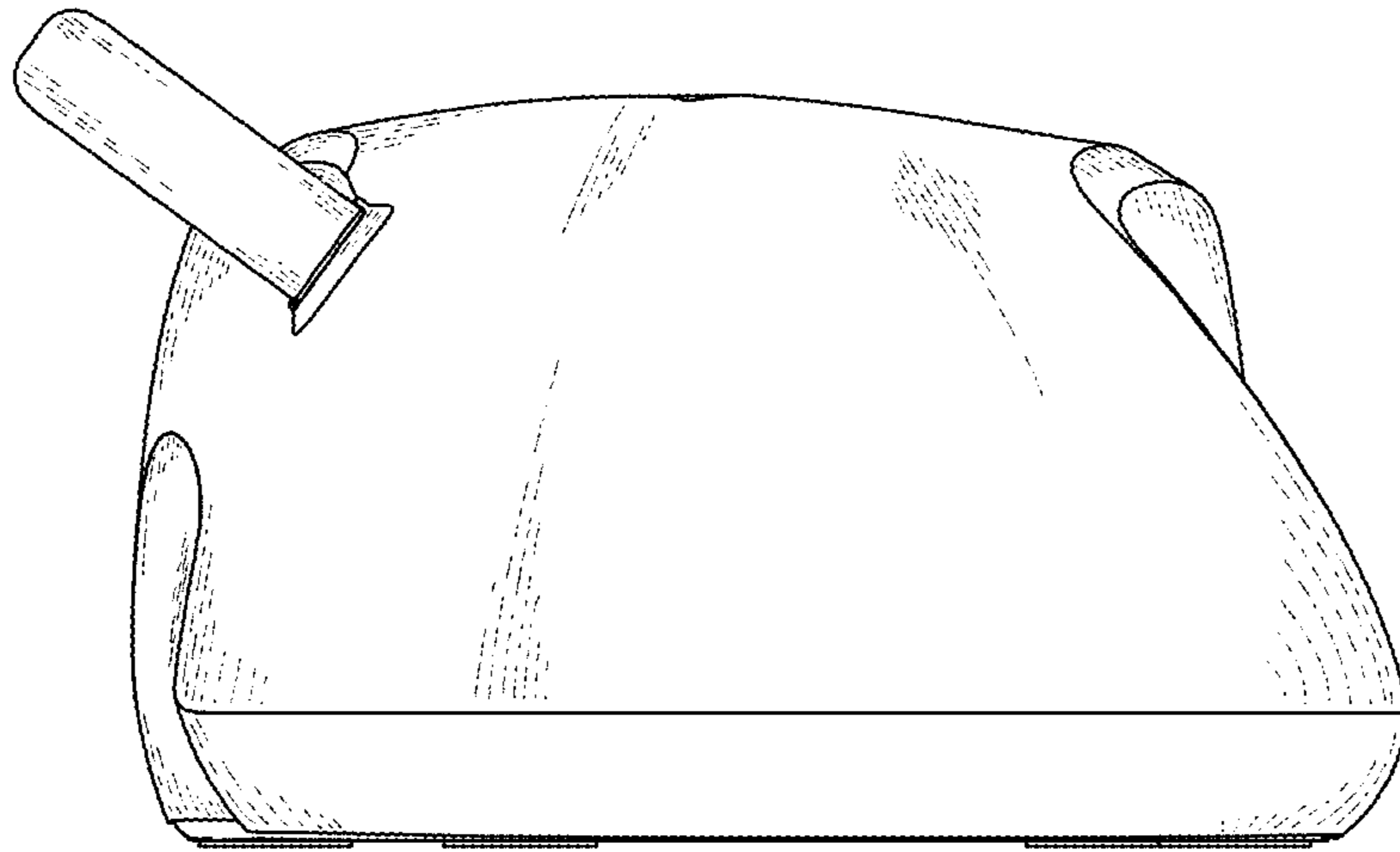


FIG. 9

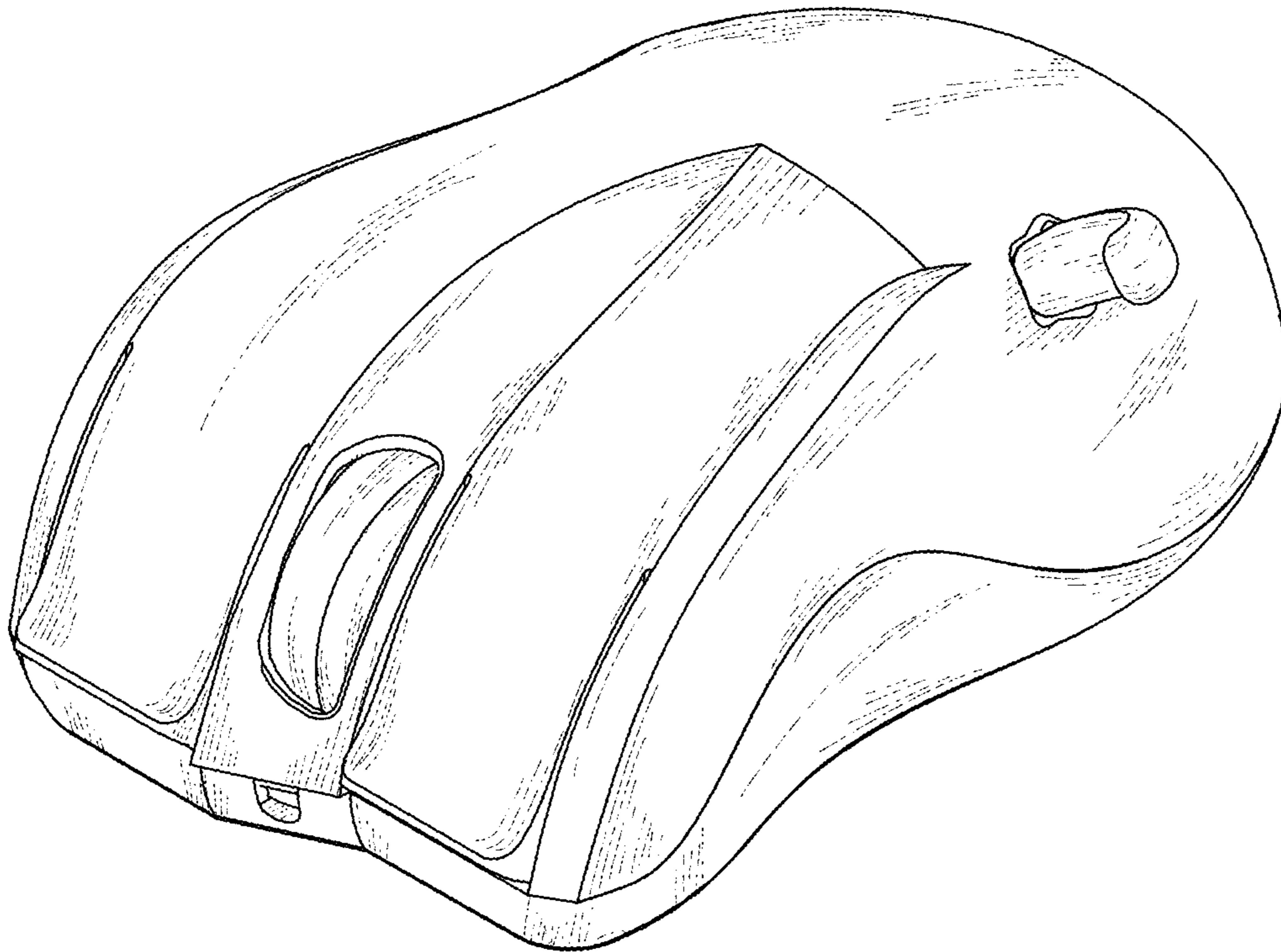


FIG. 10

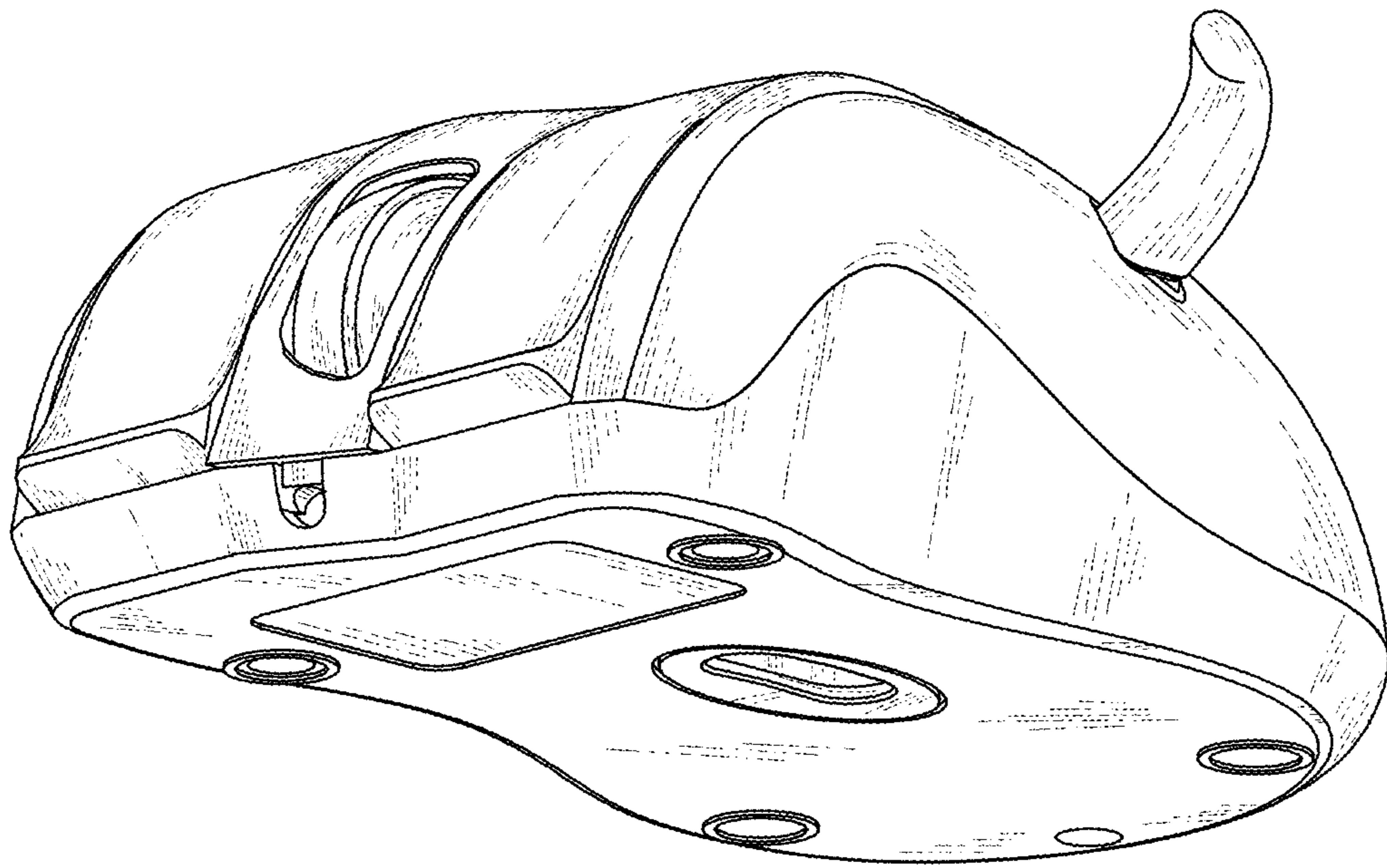


FIG. 11

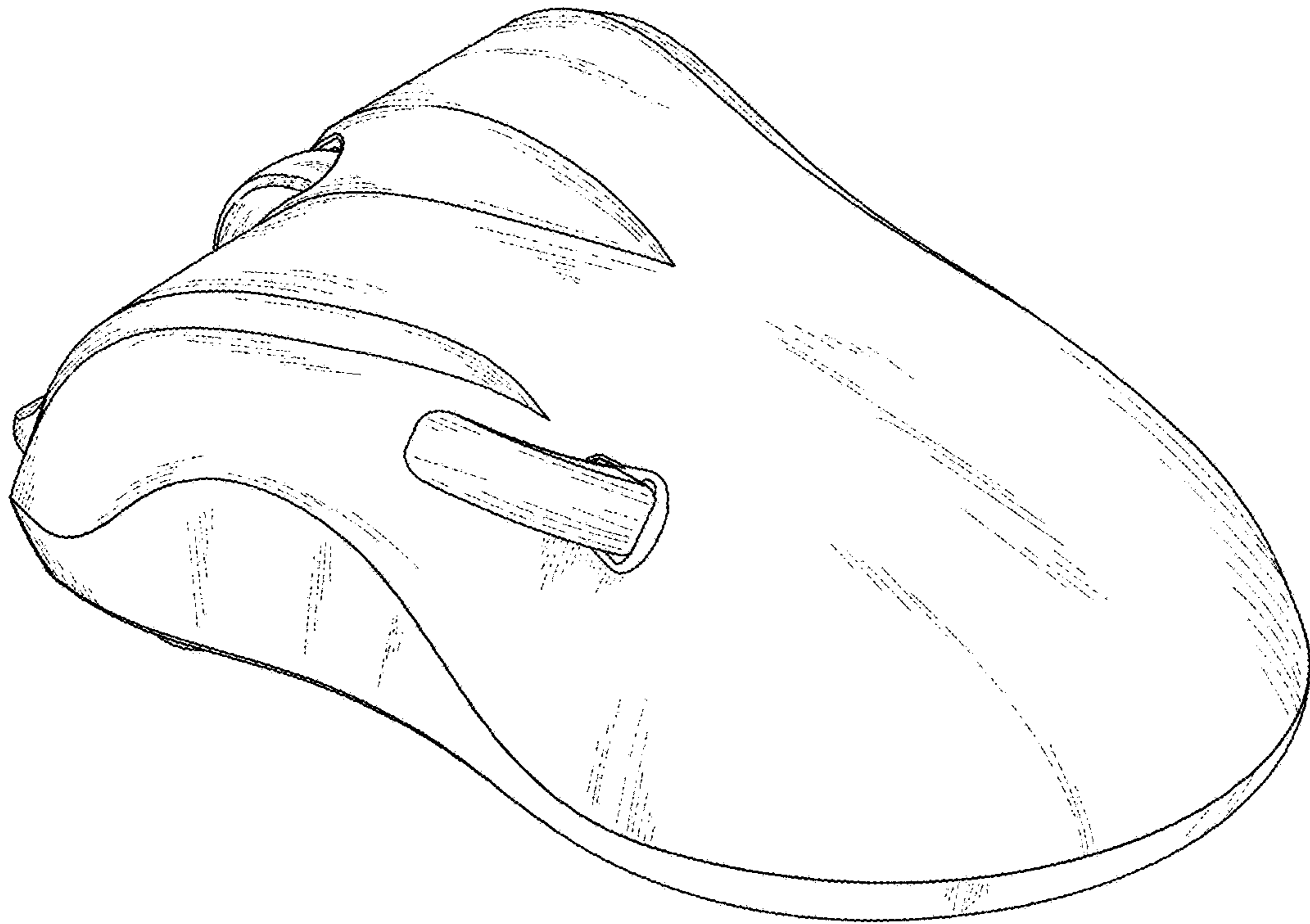


FIG. 12

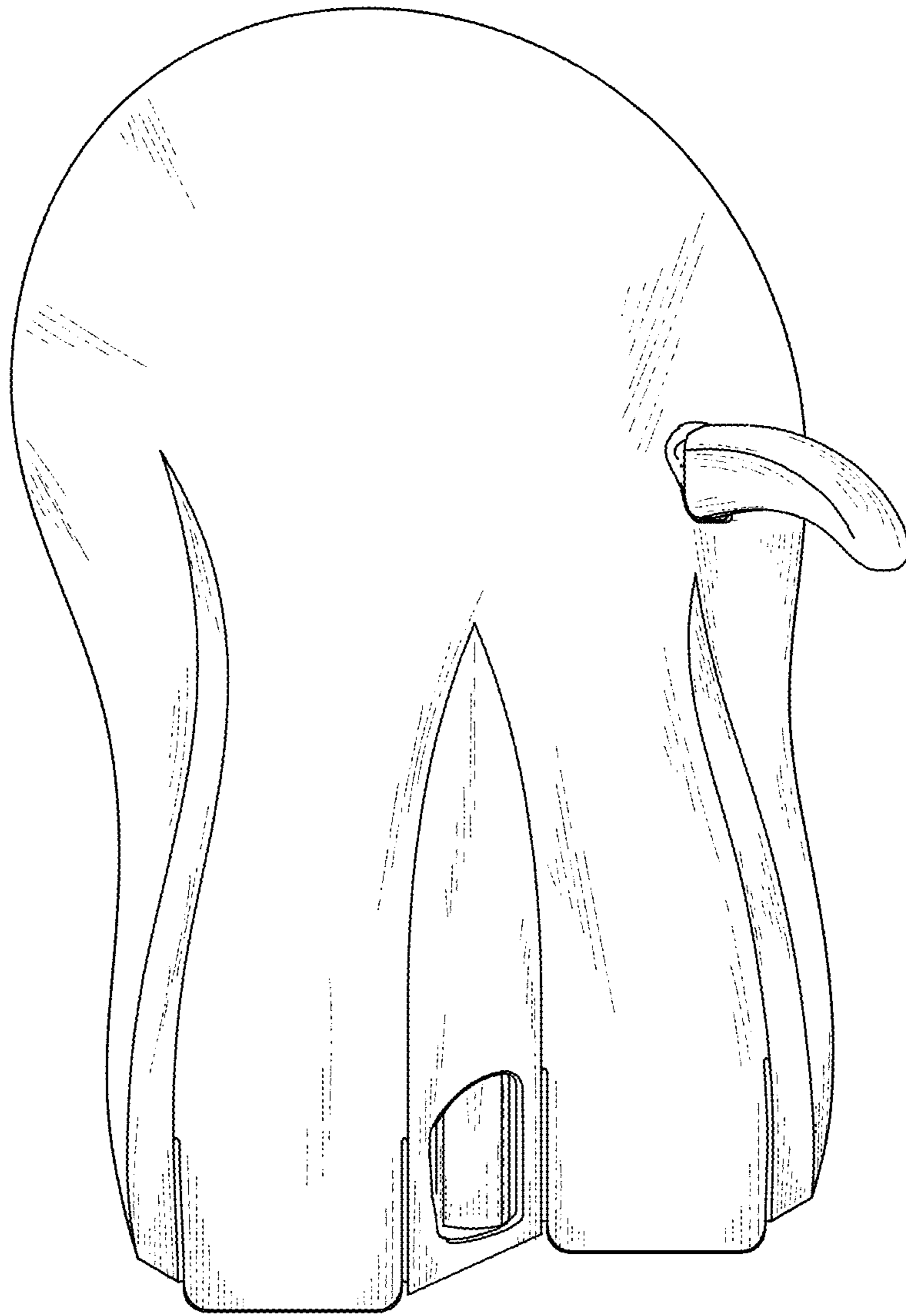


FIG. 13

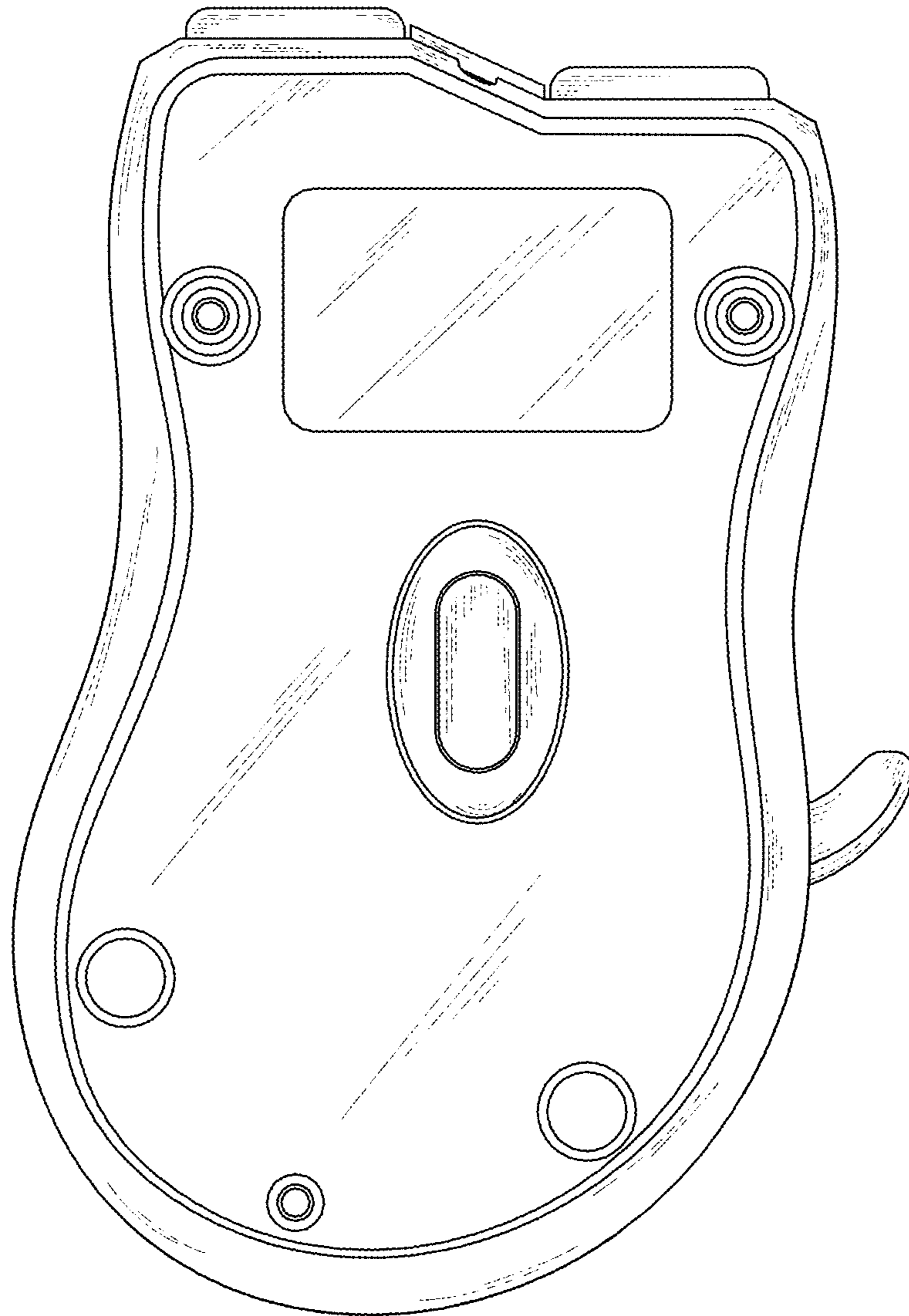


FIG. 14

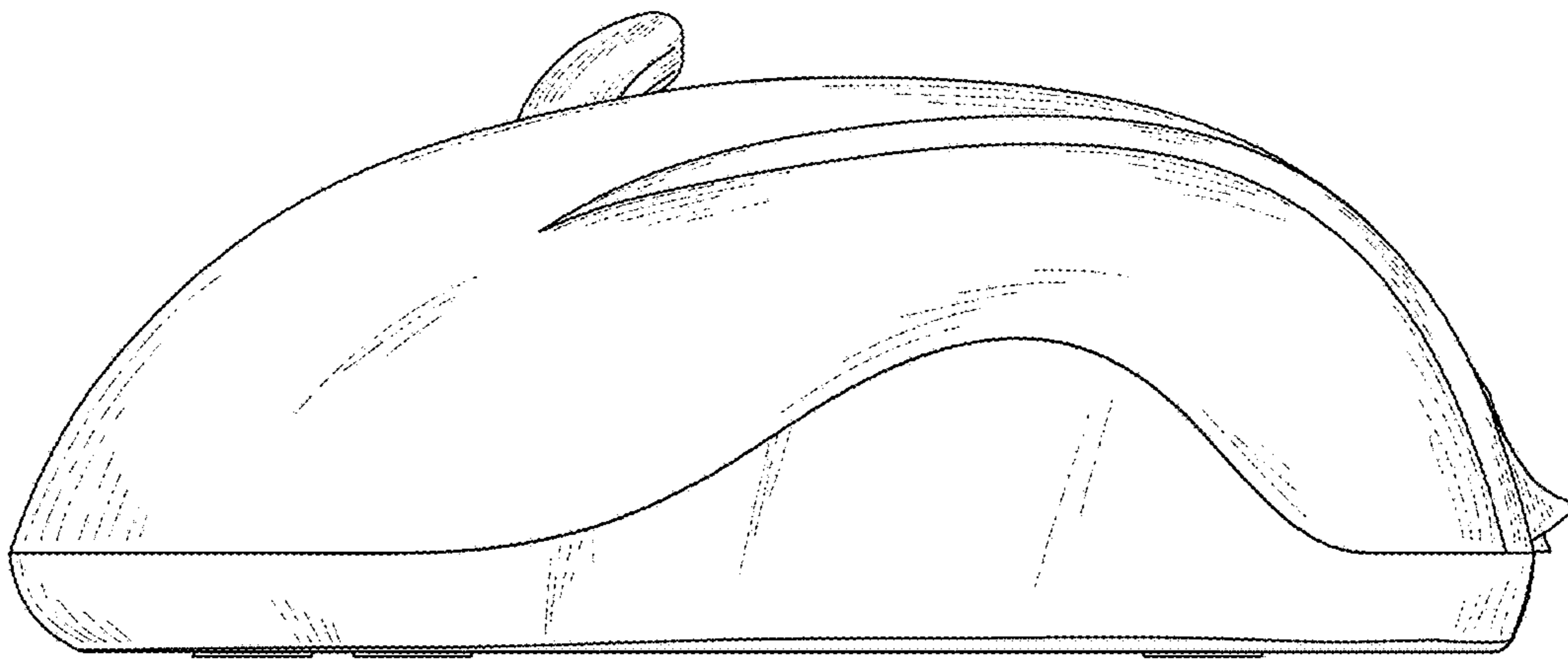


FIG. 15

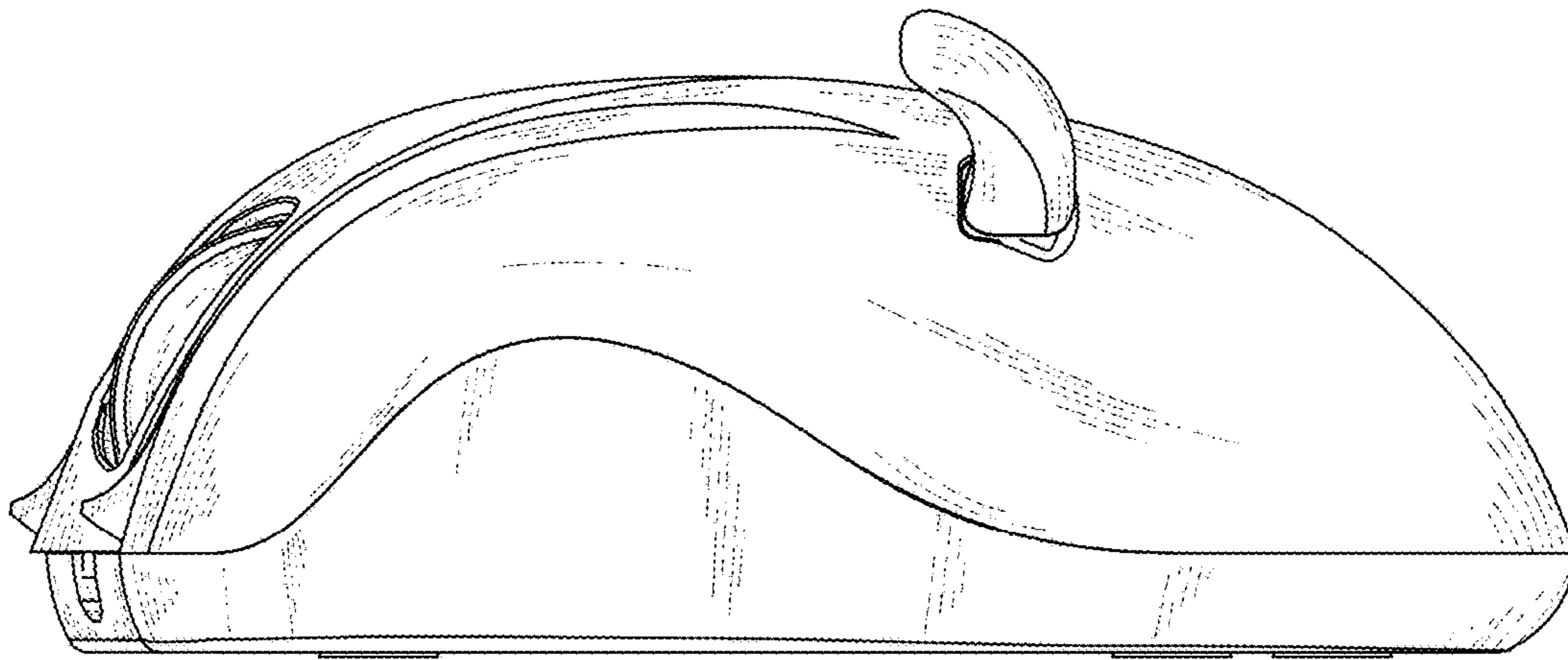


FIG. 16

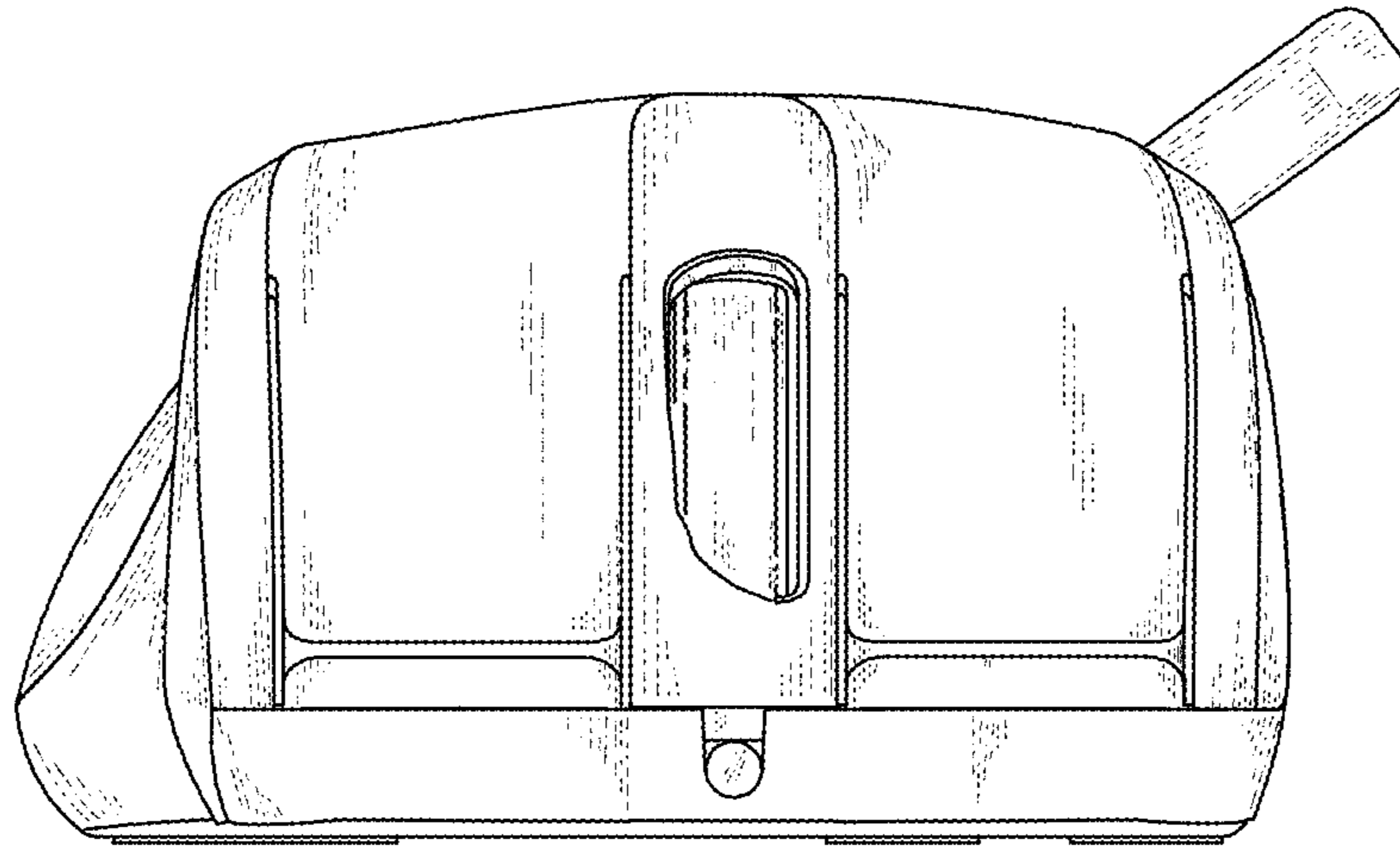


FIG. 17

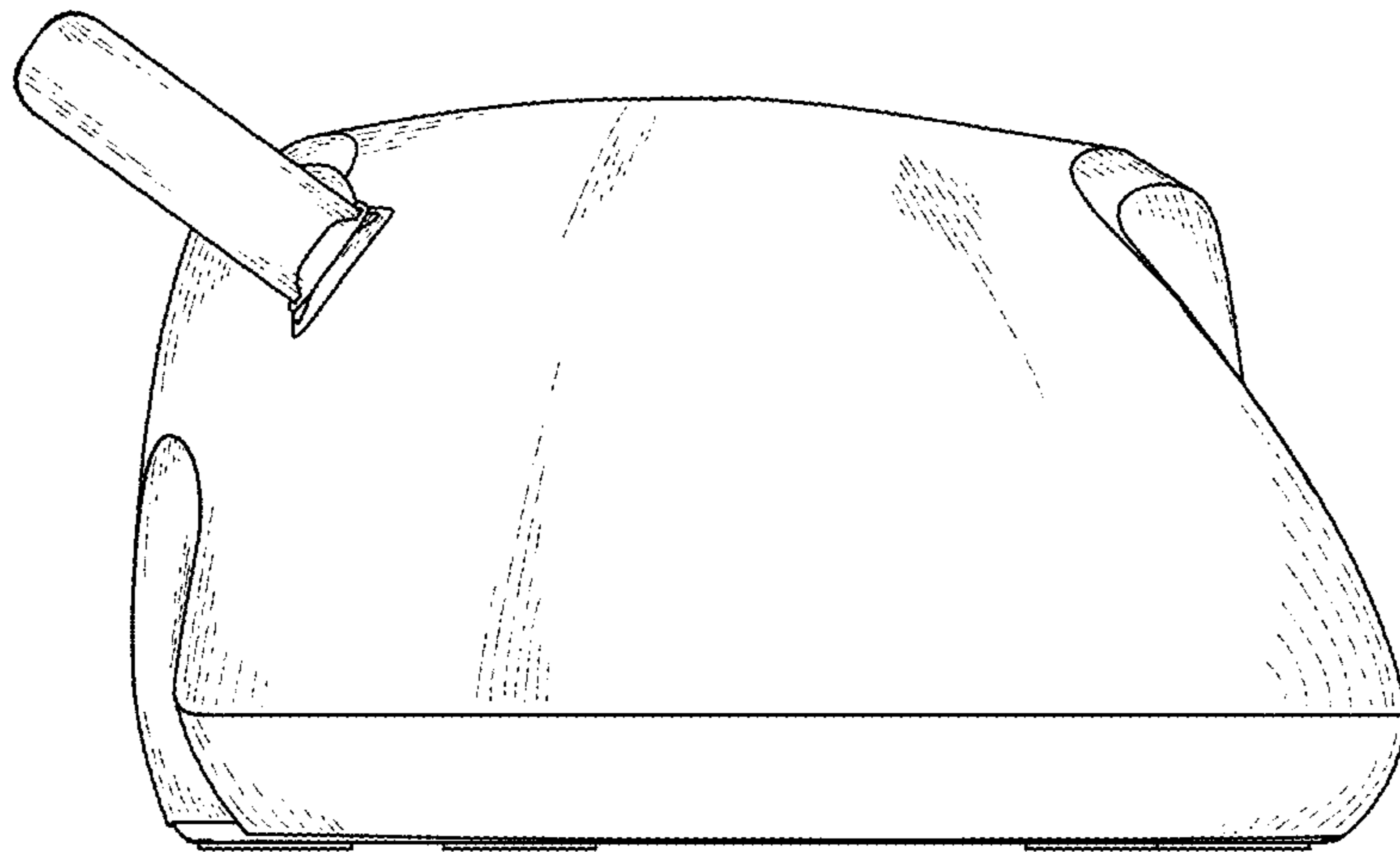


FIG. 18