



US00D793393S

(12) **United States Design Patent** (10) **Patent No.:** **US D793,393 S**  
**Jeong et al.** (45) **Date of Patent:** **\*\* Aug. 1, 2017**

(54) **ELECTRONIC MOUSE**  
(71) Applicant: **Microsoft Corporation**, Redmond, WA (US)  
(72) Inventors: **SangHyun Jeong**, Buyeo-gun (KR); **Michael Zheng**, Shenzhen (CN)  
(73) Assignee: **Microsoft Corporation**, Redmond, WA (US)  
(\*\*) Term: **15 Years**  
(21) Appl. No.: **29/538,090**  
(22) Filed: **Sep. 1, 2015**  
(51) **LOC (10) Cl.** ..... **14-02**  
(52) **U.S. Cl.**  
USPC ..... **D14/402**  
(58) **Field of Classification Search**  
USPC ..... D14/402-411, 356, 388, 389, 383-385, D14/417, 426; 345/156-167; 463/36-38; 358/471, 473; 273/148 B  
CPC ..... G06F 3/03543; G06F 2203/0333; G06F 3/039; G06F 3/038; G06F 2203/0384  
See application file for complete search history.

D607,456 S \* 1/2010 Reed ..... D14/408  
D617,324 S \* 6/2010 Fang ..... D14/402  
D638,837 S \* 5/2011 Tzeng ..... D14/402  
D642,573 S \* 8/2011 Kujawski ..... D14/402  
D658,650 S \* 5/2012 Kujawski ..... D14/402  
D663,730 S \* 7/2012 Kim ..... D14/402  
D762,646 S \* 8/2016 Chong ..... D14/409

\* cited by examiner

*Primary Examiner* — Austin Murphy  
(74) *Attorney, Agent, or Firm* — Banner & Witcoff, Ltd.

(57) **CLAIM**

The ornamental design for an electronic mouse, as shown and described.

**DESCRIPTION**

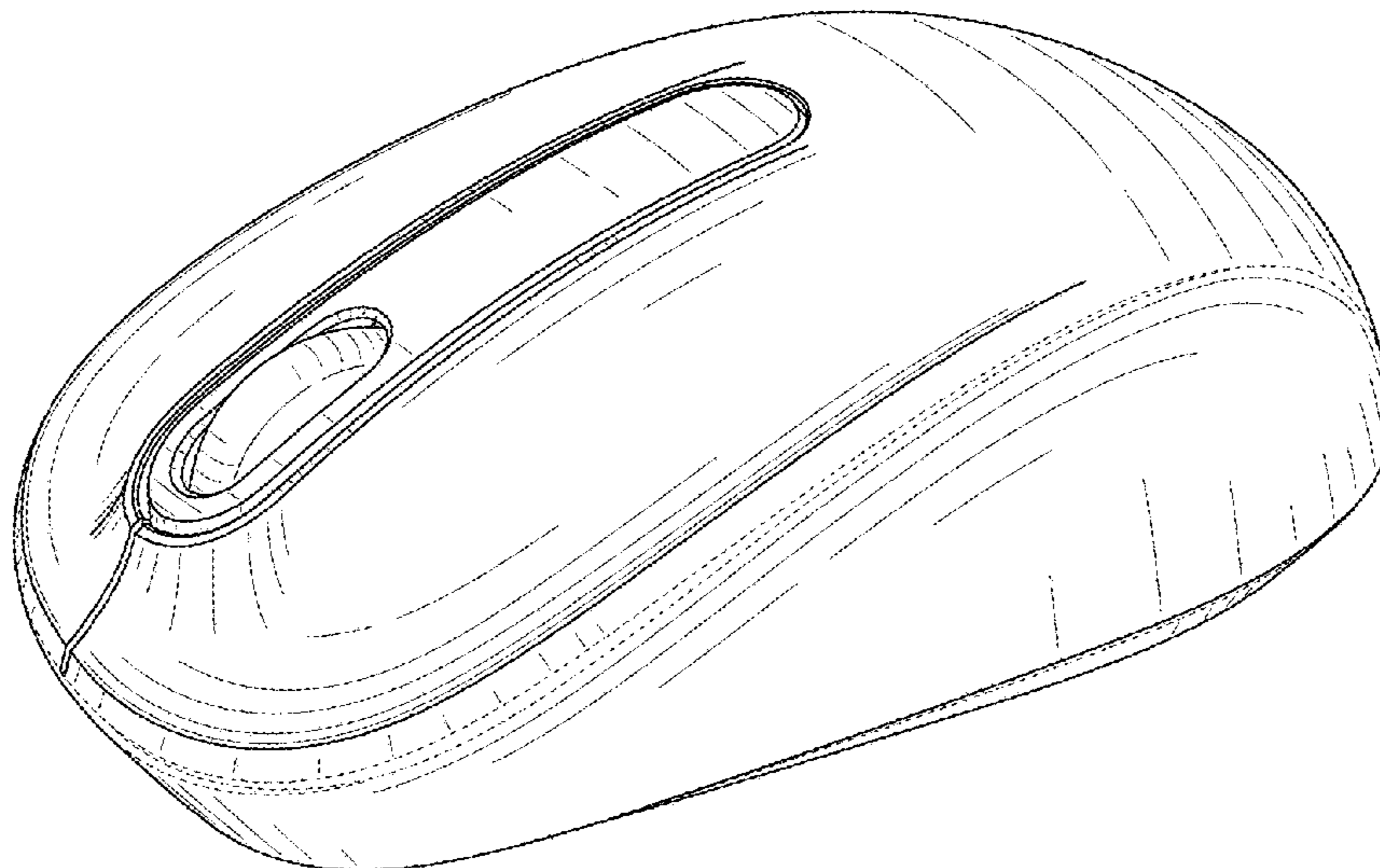
FIG. 1 is a front perspective view of an electronic mouse showing our new design;  
FIG. 2 is a front view thereof;  
FIG. 3 is a rear view thereof;  
FIG. 4 is a right side view thereof;  
FIG. 5 is a left side view thereof;  
FIG. 6 is a top view thereof;  
FIG. 7 is a bottom view thereof;  
FIG. 8 is a front perspective view of an alternative embodiment of our new design;  
FIG. 9 is a front view thereof;  
FIG. 10 is a rear view thereof;  
FIG. 11 is a right side view thereof;  
FIG. 12 is a left side view thereof;  
FIG. 13 is a top view thereof; and,  
FIG. 14 is a bottom view thereof.  
The broken line showing of the various unshaded elements of the electronic mouse in FIGS. 1-7, 9-12, and 14 is for environmental purposes only and forms no part of the claimed design.

(56) **References Cited**

U.S. PATENT DOCUMENTS

D439,252 S \* 3/2001 Ledbetter ..... D14/402  
D467,925 S \* 12/2002 Hu ..... D14/408  
D474,769 S \* 5/2003 Fisher ..... D14/402  
D513,004 S \* 12/2005 Chen ..... D14/402  
D528,118 S \* 9/2006 Canavan ..... D14/402  
D552,092 S \* 10/2007 Fisher ..... D14/402  
D589,513 S \* 3/2009 Chatterjee ..... D14/402  
D591,748 S \* 5/2009 Hu ..... D14/402  
D595,296 S \* 6/2009 Chatterjee ..... D14/402  
D596,179 S \* 7/2009 Bolotin ..... D14/402  
D607,454 S \* 1/2010 Reed ..... D14/408

**1 Claim, 12 Drawing Sheets**



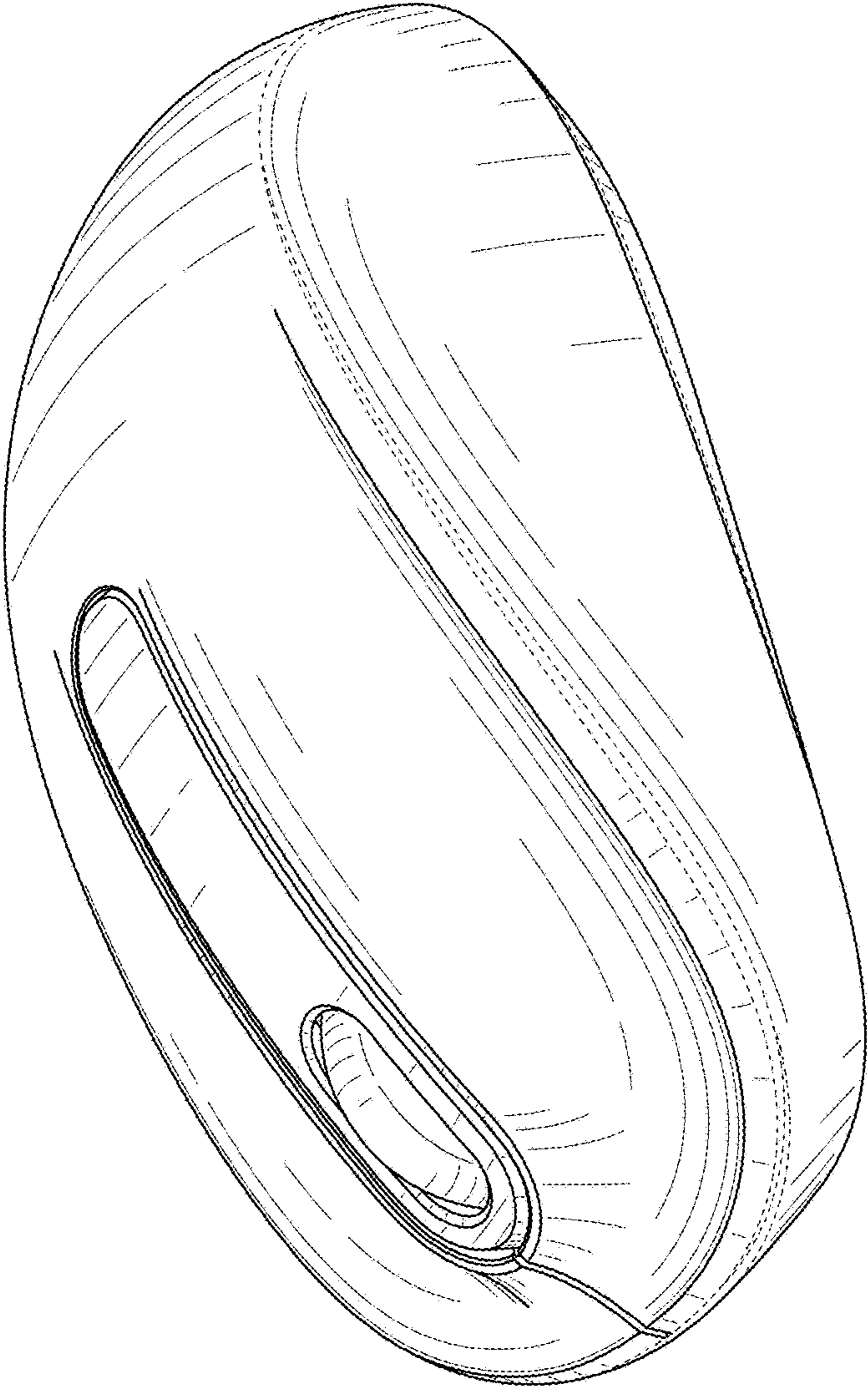


FIG. 1

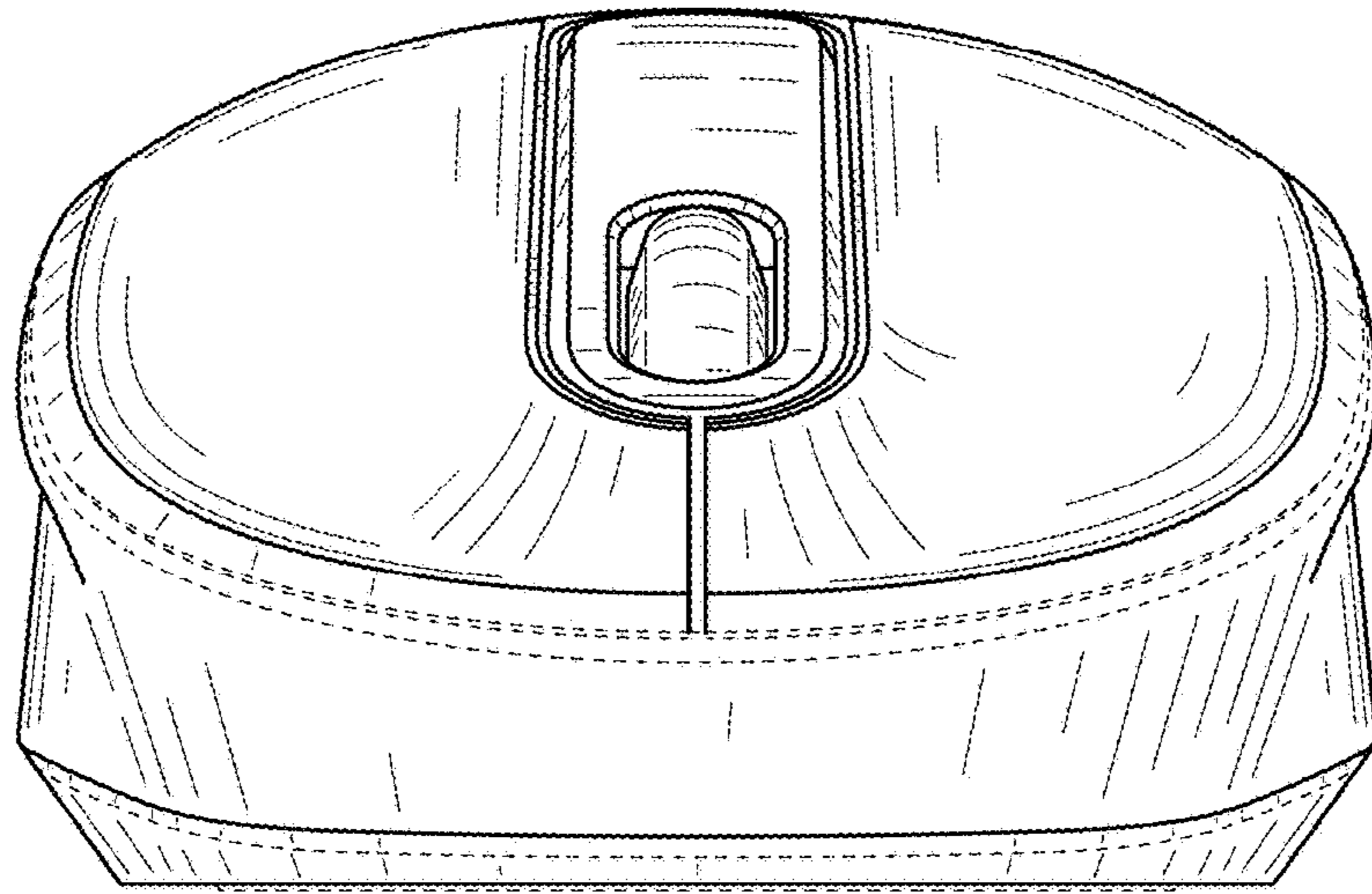


FIG. 2

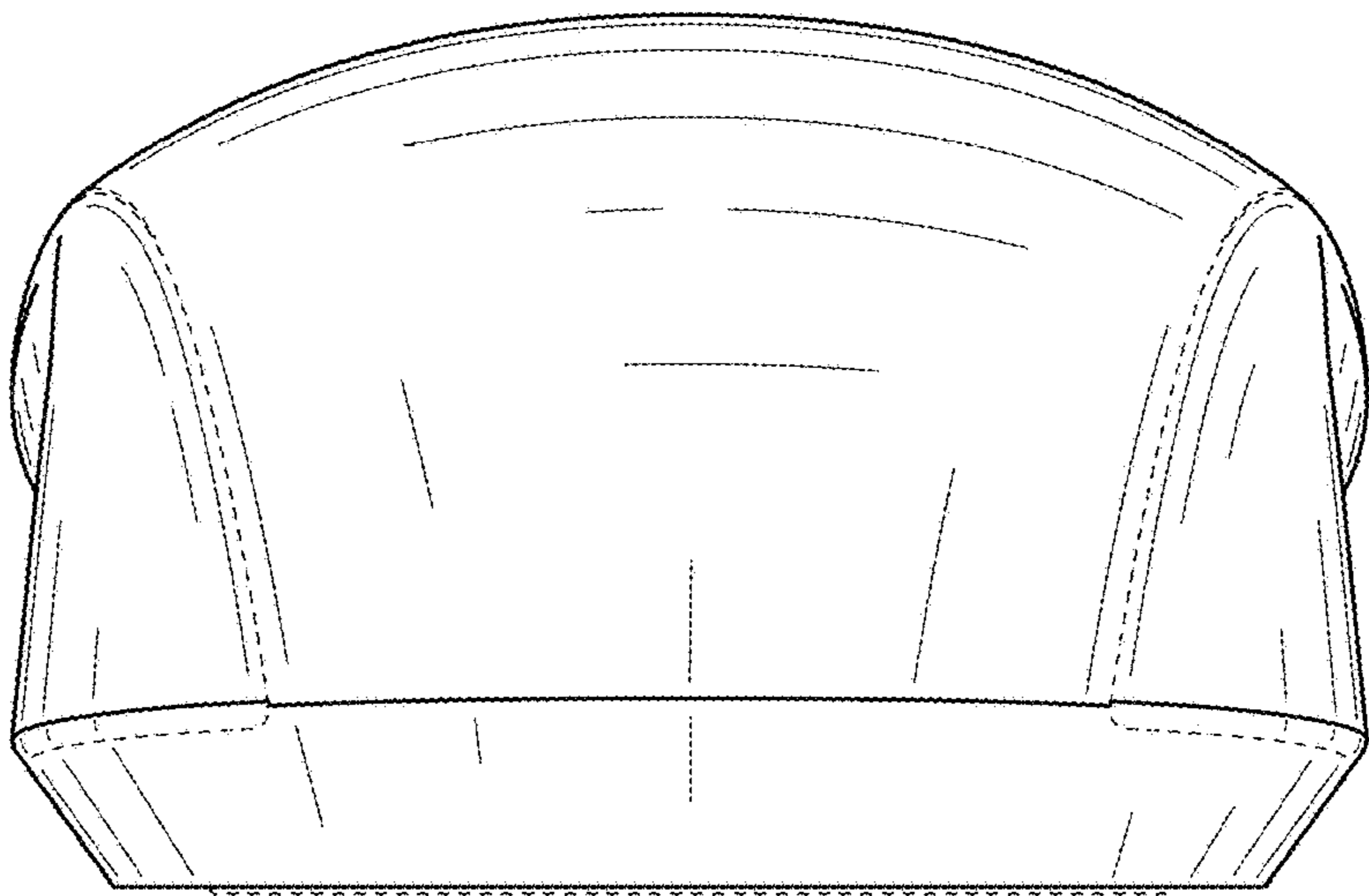


FIG. 3

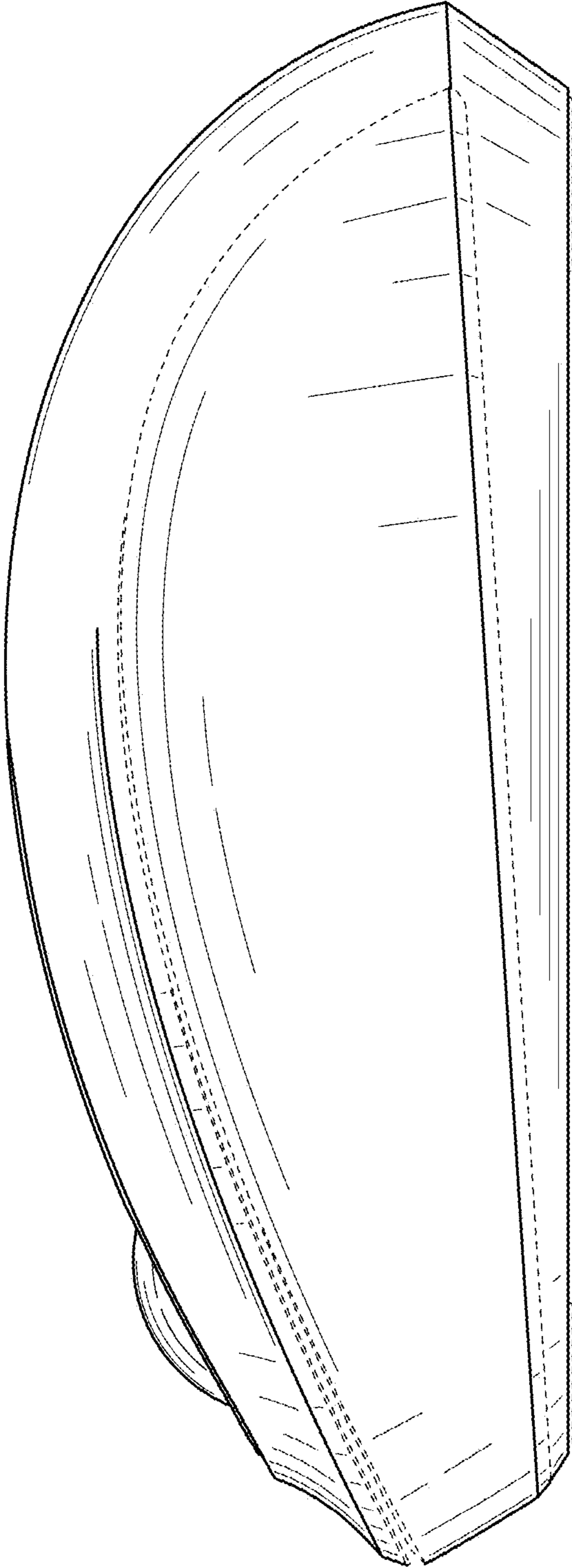


FIG. 4

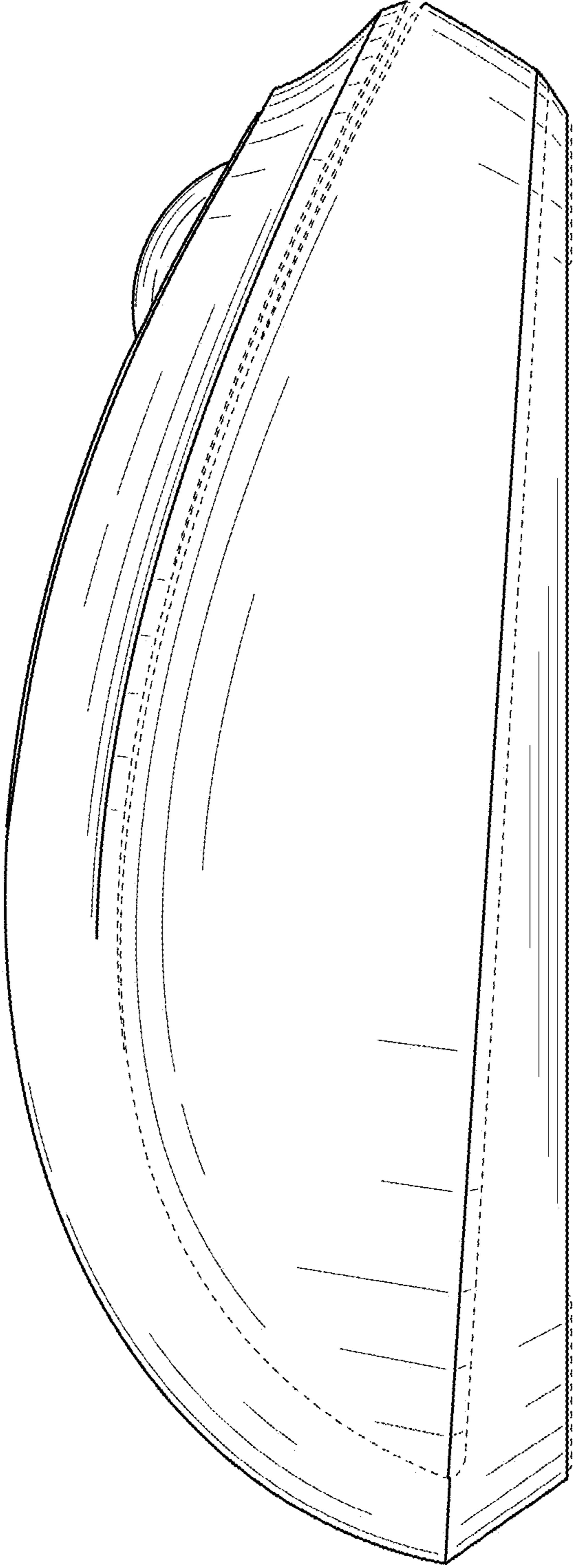


FIG. 5

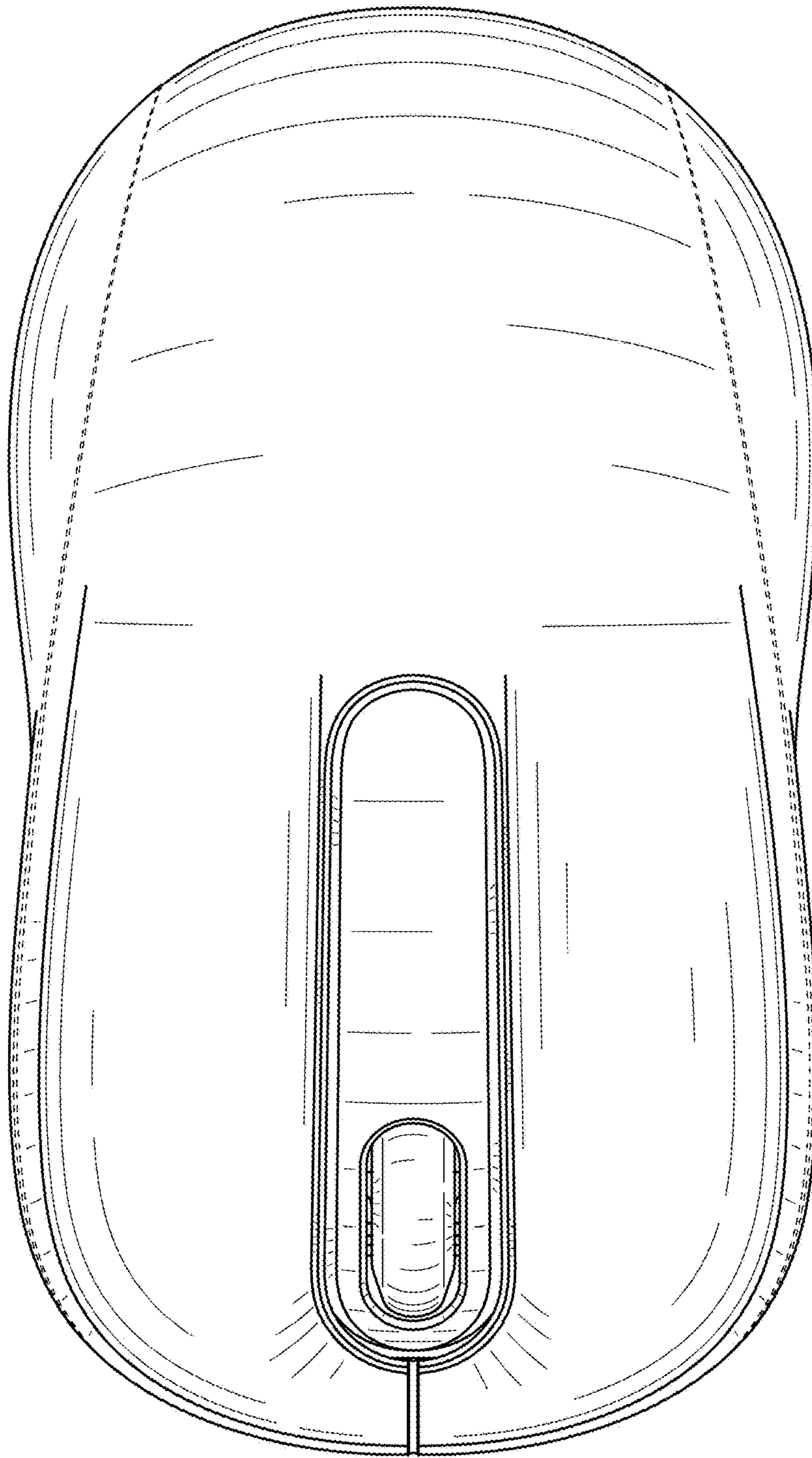


FIG. 6

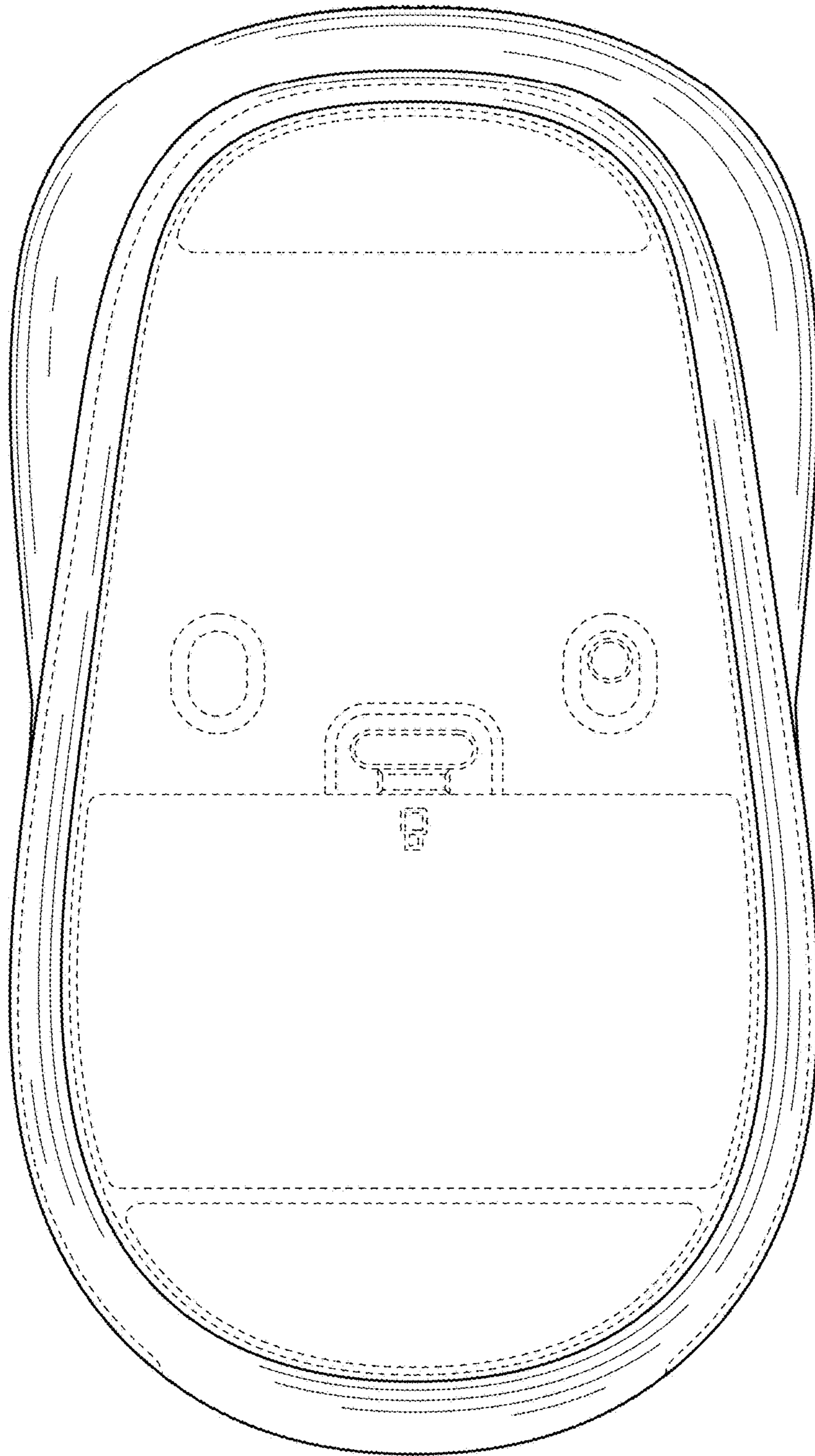


FIG. 7

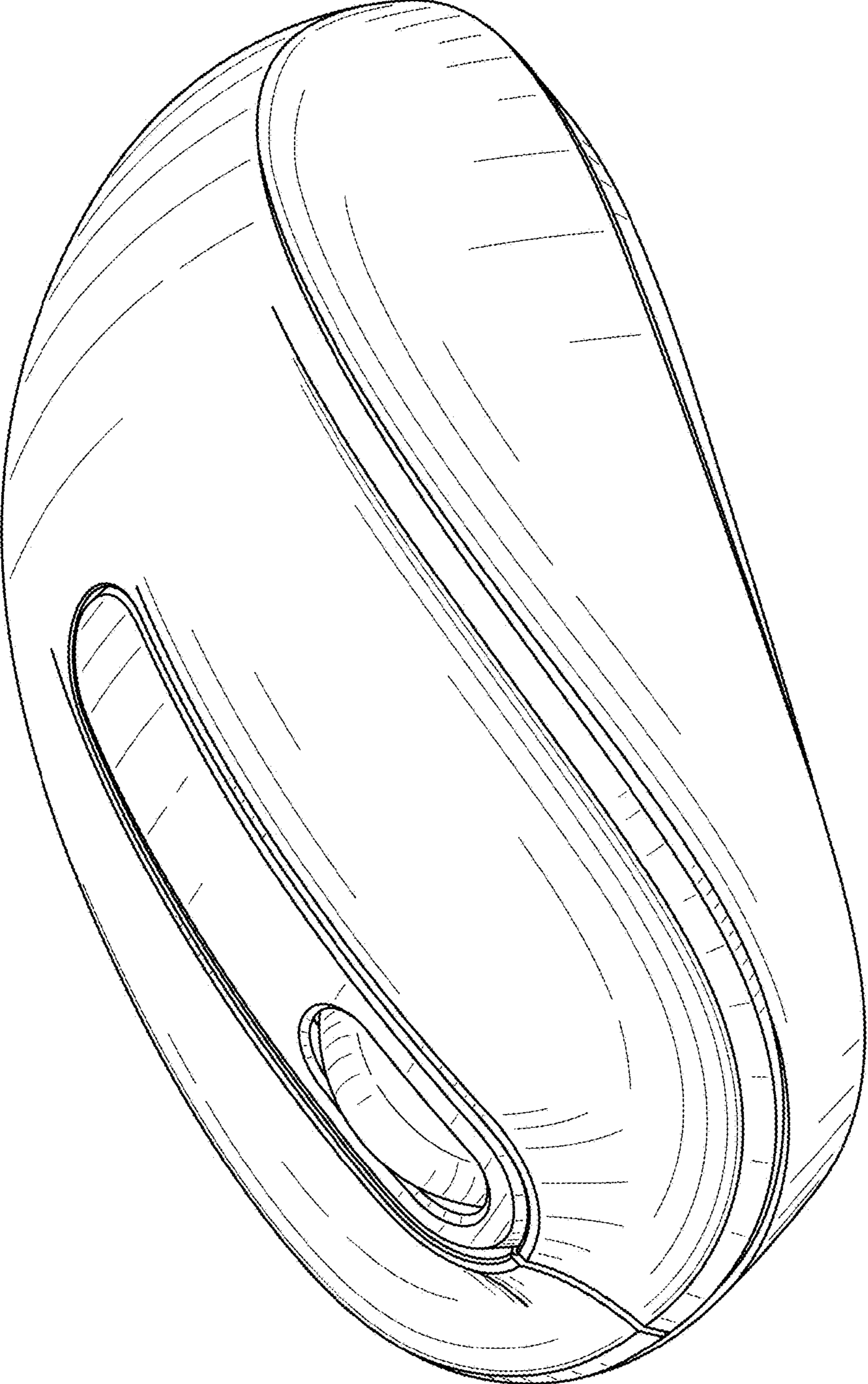


FIG. 8



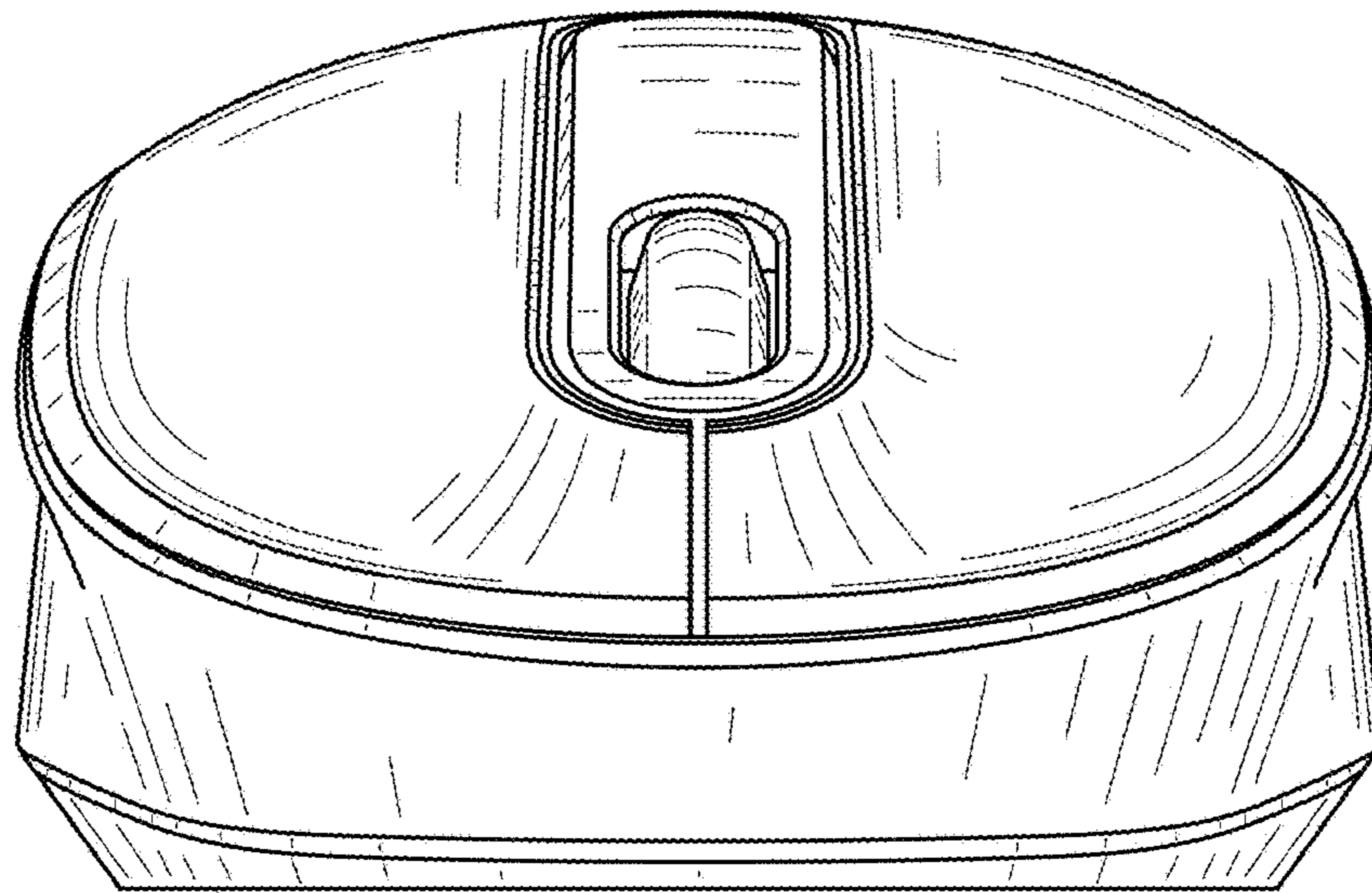


FIG. 9

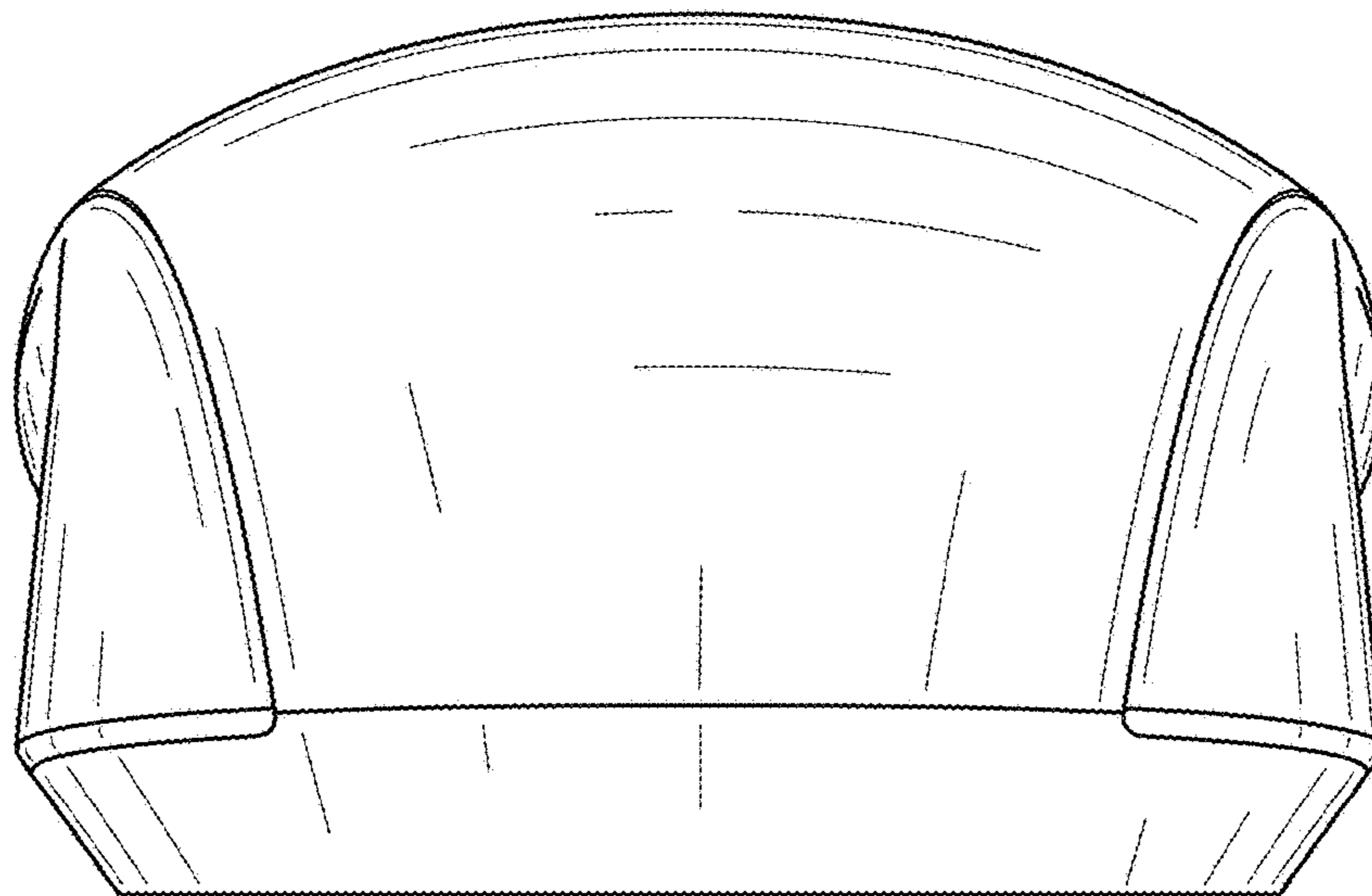


FIG. 10



FIG. 11

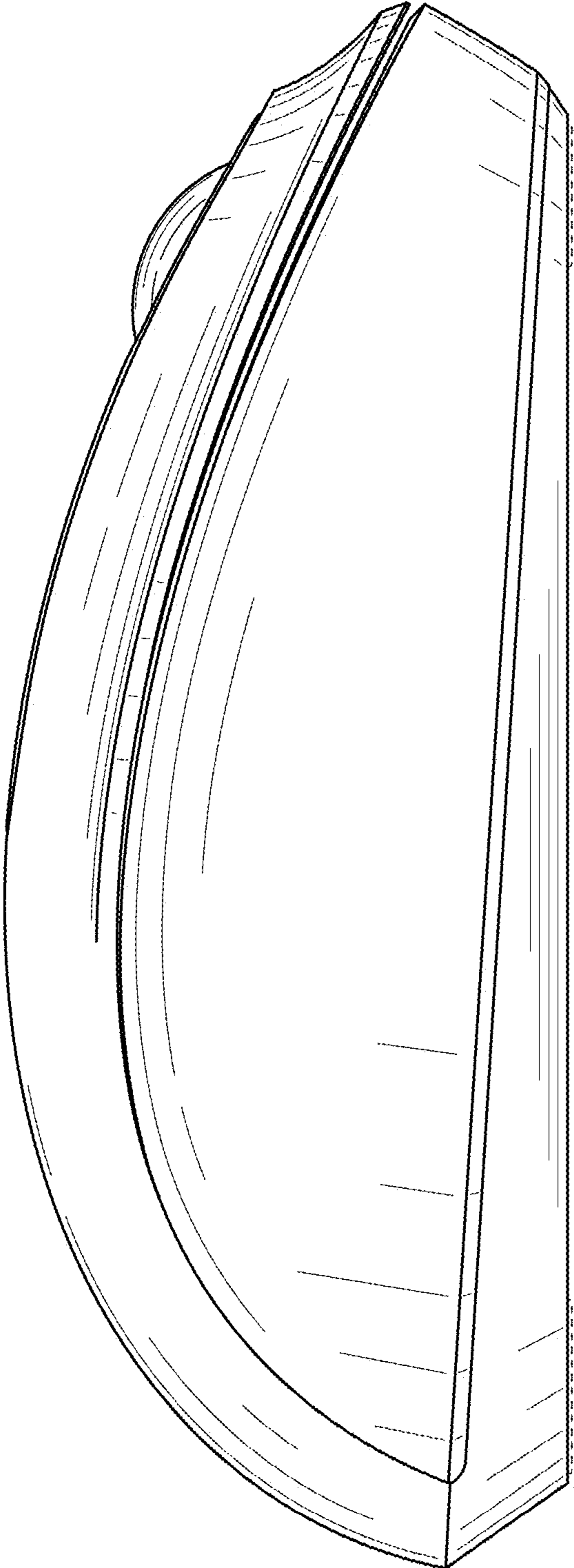


FIG. 12

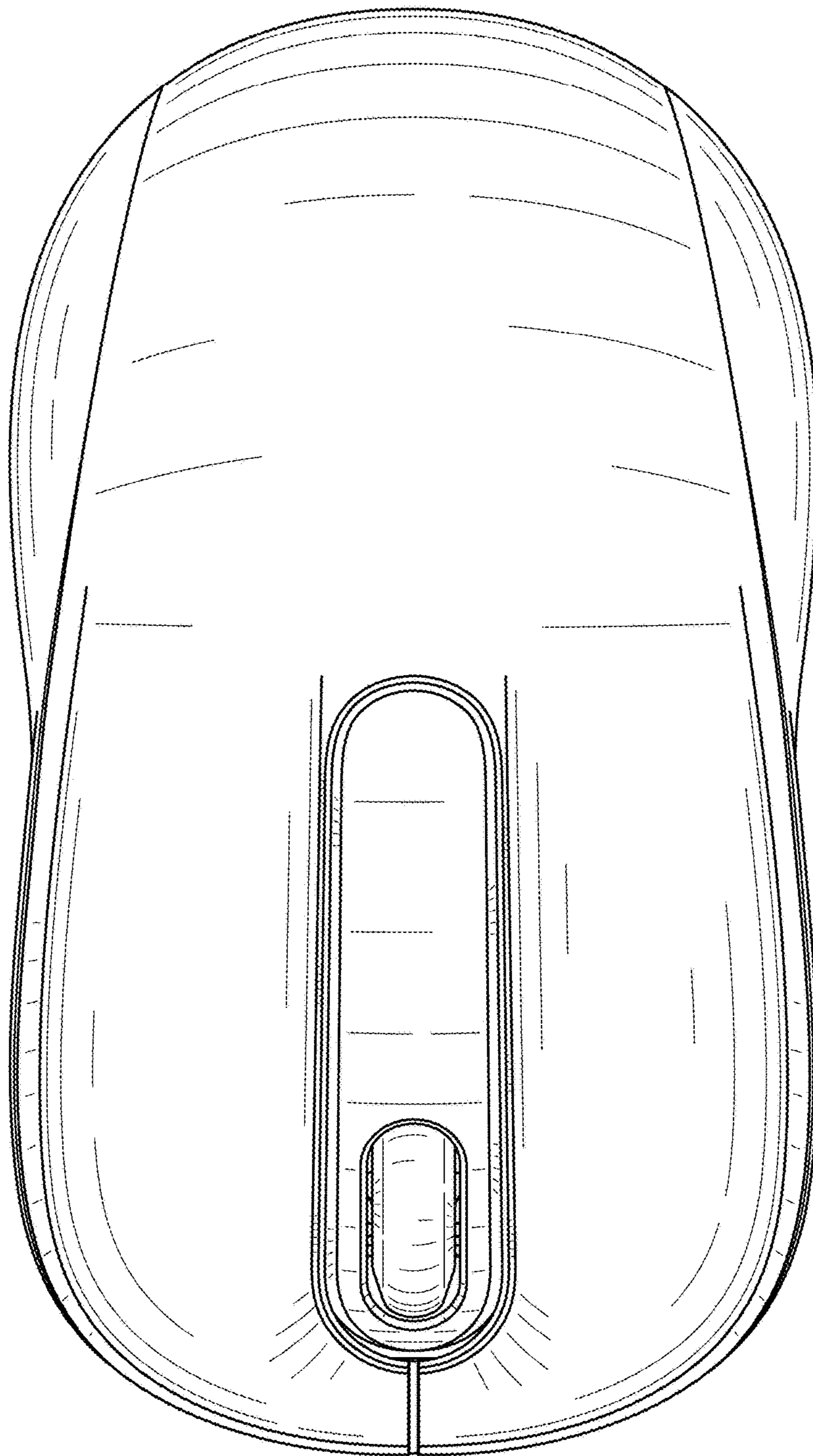


FIG. 13

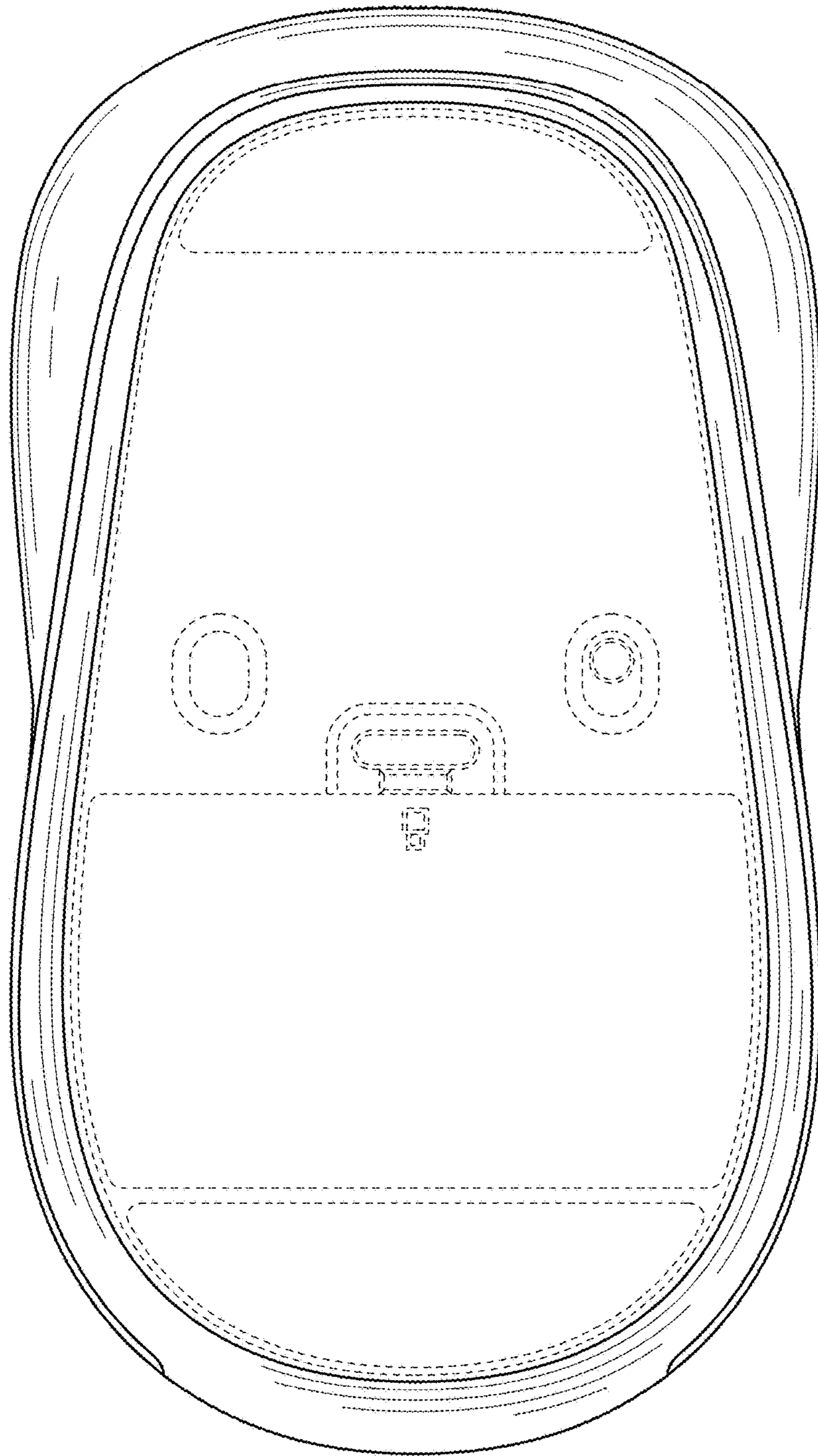


FIG. 14