



US00D793391S

(12) **United States Design Patent** (10) **Patent No.:** **US D793,391 S**  
**Nakagawa et al.** (45) **Date of Patent:** **\*\* Aug. 1, 2017**

(54) **HEAD MOUNTED DISPLAY**

(71) Applicant: **SEIKO EPSON CORPORATION,**  
Tokyo (JP)

(72) Inventors: **Ryoichi Nakagawa,** Matsumoto (JP);  
**Kazuya Kamakura,** Matsumoto (JP)

(73) Assignee: **SEIKO EPSON CORPORATION,**  
Tokyo (JP)

(\*\*) Term: **15 Years**

(21) Appl. No.: **29/574,679**

(22) Filed: **Aug. 18, 2016**

(30) **Foreign Application Priority Data**

Feb. 19, 2016 (JP) ..... 2016-003561

(51) **LOC (10) Cl.** ..... **14-02**

(52) **U.S. Cl.**  
USPC ..... **D14/372**

(58) **Field of Classification Search**  
USPC ..... D14/372, 496, 432, 371, 125, 126, 129,  
D14/299; D16/300-342; 351/158, 153,  
351/144; 345/7-9, 905; 455/344;  
348/115, 53, 121, 739  
CPC ..... G02B 27/017; G02B 27/0158; G02B  
27/0161; G02B 27/0181; G02B 27/0185;  
G02B 27/0189  
See application file for complete search history.

(56) **References Cited**

**U.S. PATENT DOCUMENTS**

D710,427 S \* 8/2014 Kim ..... D14/372  
D716,807 S \* 11/2014 Yeom ..... D14/372  
D716,808 S \* 11/2014 Yeom ..... D14/372  
D719,567 S \* 12/2014 Kim ..... D14/372

D719,952 S \* 12/2014 Kim ..... D14/372  
D732,024 S \* 6/2015 Heinrich ..... D14/372  
D732,025 S \* 6/2015 Heinrich ..... D14/372  
D738,420 S \* 9/2015 Lee ..... D14/372  
D740,814 S \* 10/2015 Bosveld ..... D14/372  
D746,818 S \* 1/2016 Cho ..... D14/372  
D751,551 S \* 3/2016 Ho ..... D14/372  
D765,075 S \* 8/2016 Rochat ..... D14/372  
D765,076 S \* 8/2016 Rochat ..... D14/372  
D766,895 S \* 9/2016 Choi ..... D14/372  
D768,627 S \* 10/2016 Rochat ..... D14/372  
D768,628 S \* 10/2016 Choi ..... D14/372  
D769,242 S \* 10/2016 Kymm ..... D14/372

\* cited by examiner

*Primary Examiner* — Austin Murphy

(57) **CLAIM**

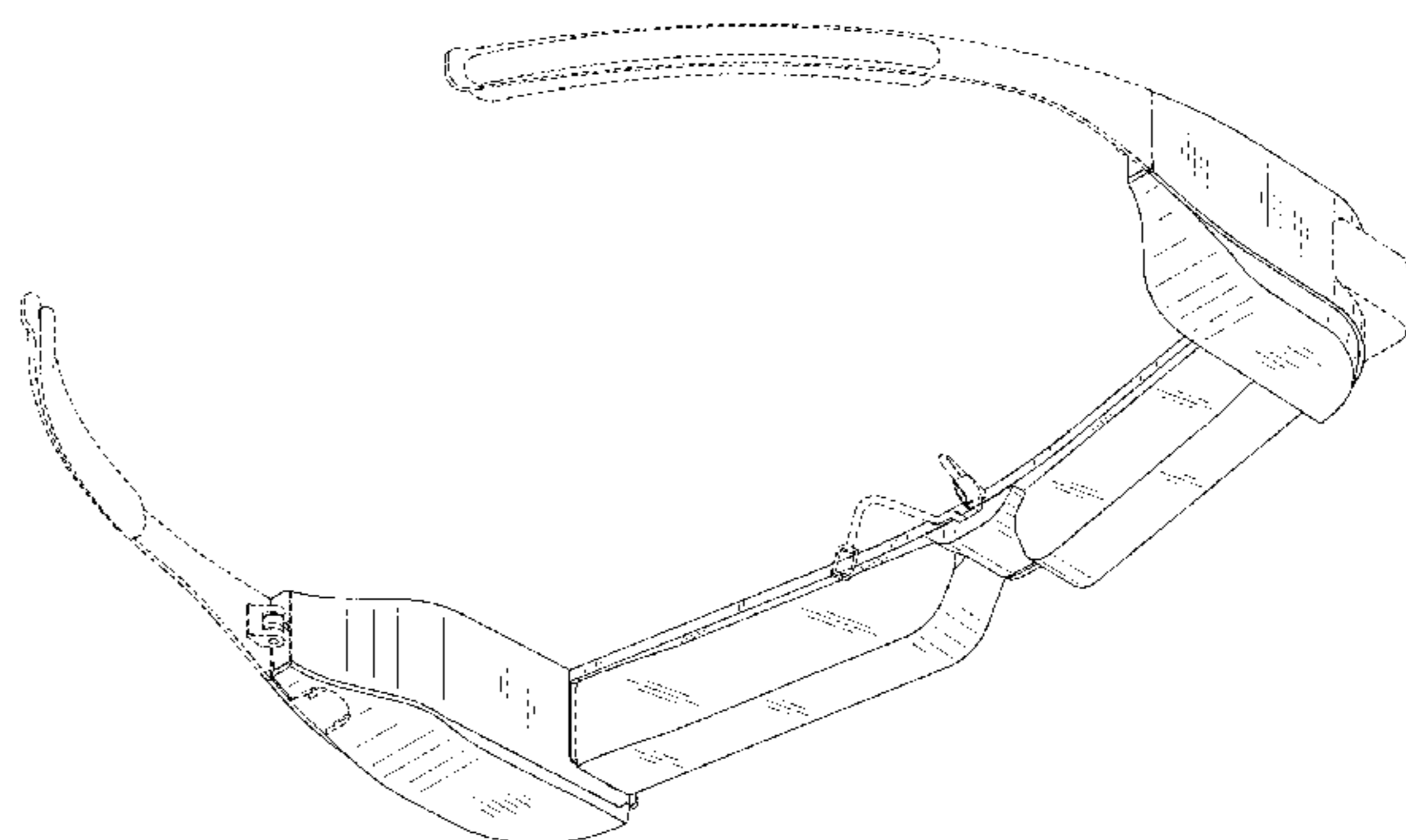
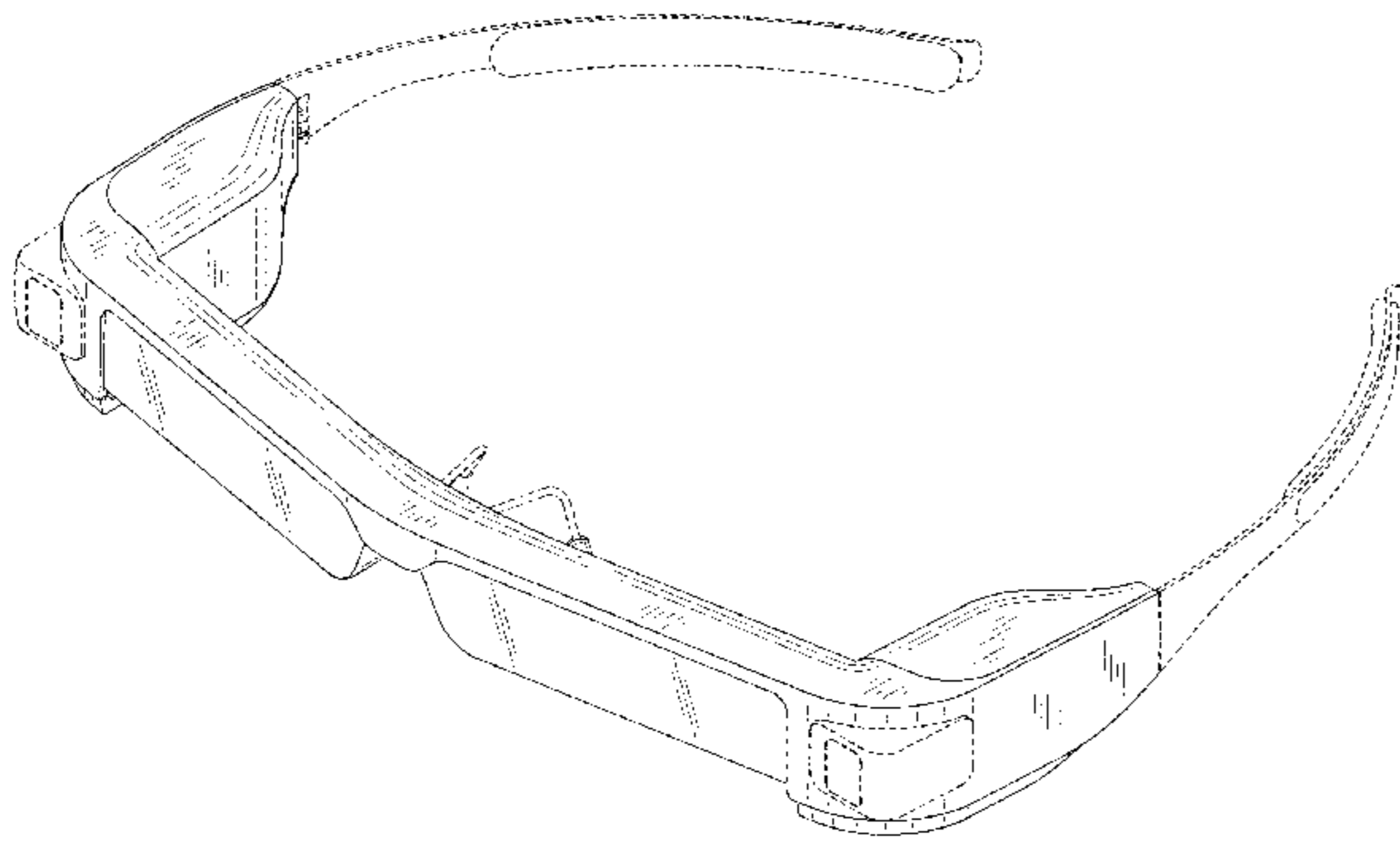
The ornamental design for a head mounted display, as shown and described.

**DESCRIPTION**

FIG. 1 is a front, top and right side perspective view of a head mounted display showing our new design;  
FIG. 2 is a rear, bottom and left side perspective view thereof;  
FIG. 3 is a front view thereof;  
FIG. 4 is a rear view thereof;  
FIG. 5 is a top plan view thereof;  
FIG. 6 is a bottom plan view thereof;  
FIG. 7 is a right side view thereof; and,  
FIG. 8 is a left side view thereof.

The features shown in broken lines in the drawings depict environmental subject matter only and form no part of the claimed design. The oblique line shading shown in the drawings indicates transparent or translucent parts. The internal structure of the transparent or translucent parts is omitted. No claim is made to any elements inside the transparent or translucent parts.

**1 Claim, 8 Drawing Sheets**



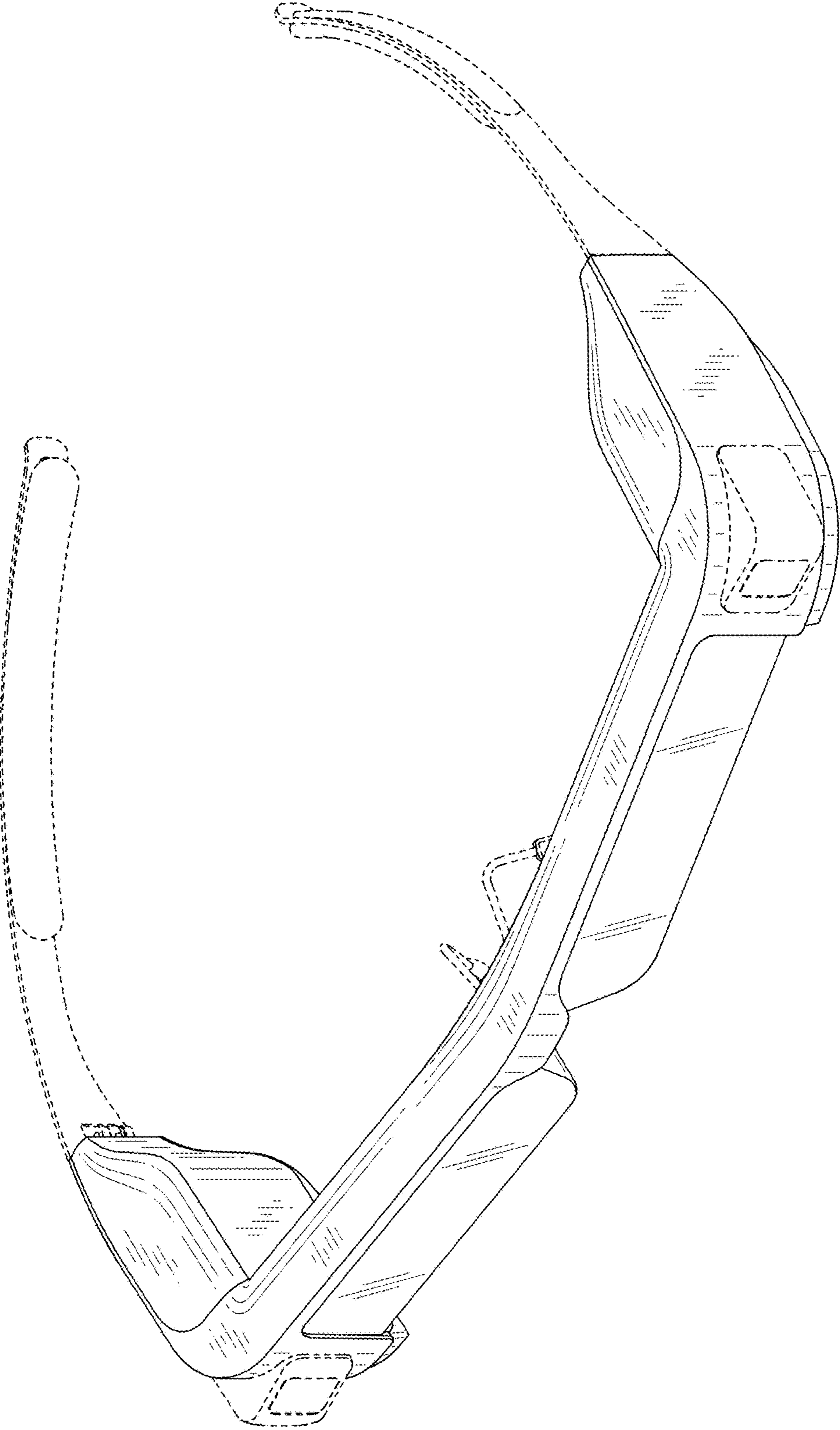


Fig.1

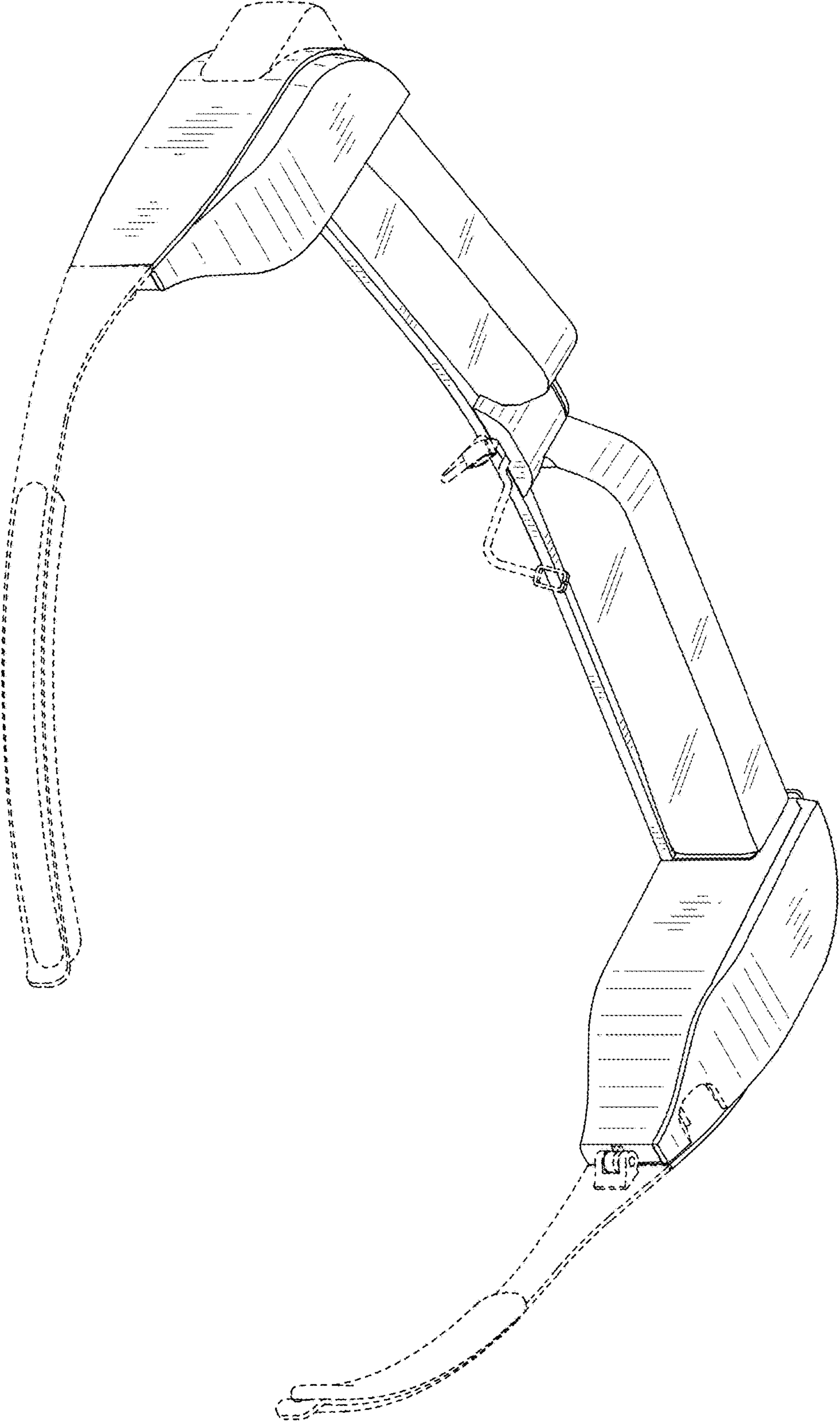


Fig.2

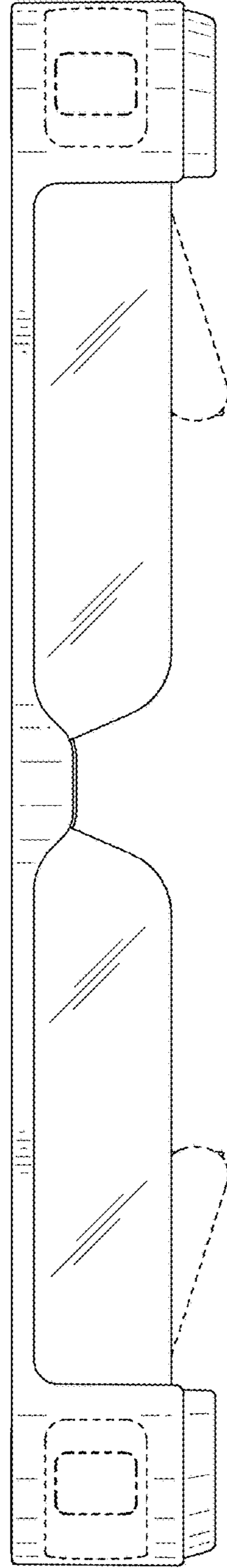


Fig.3

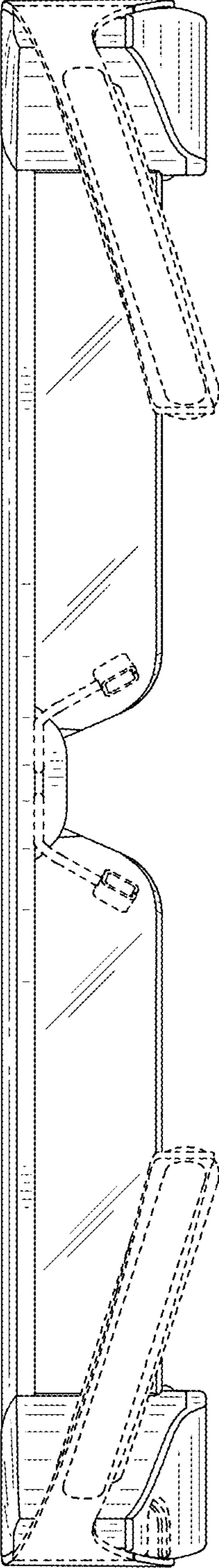


Fig.4

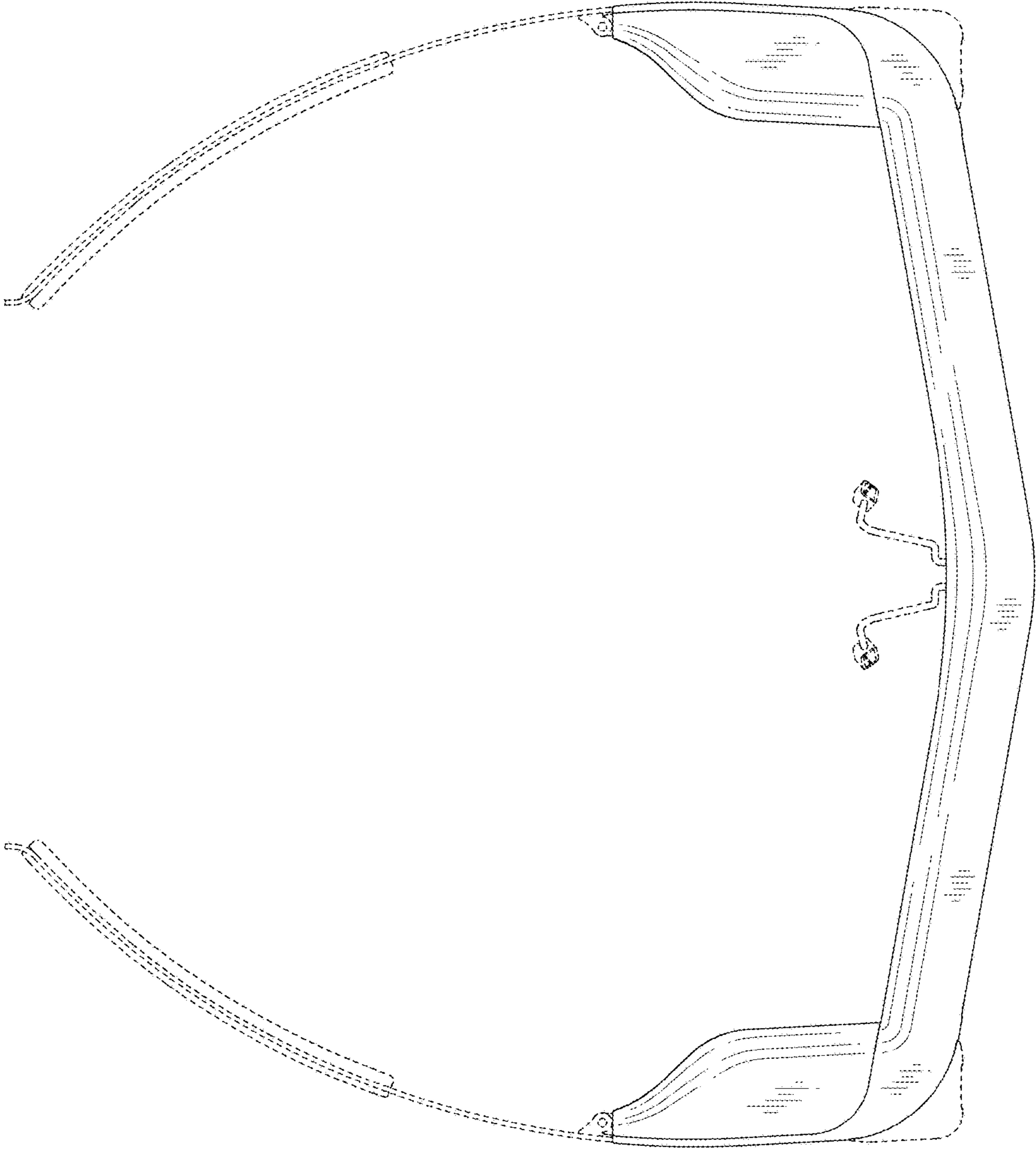


Fig.5

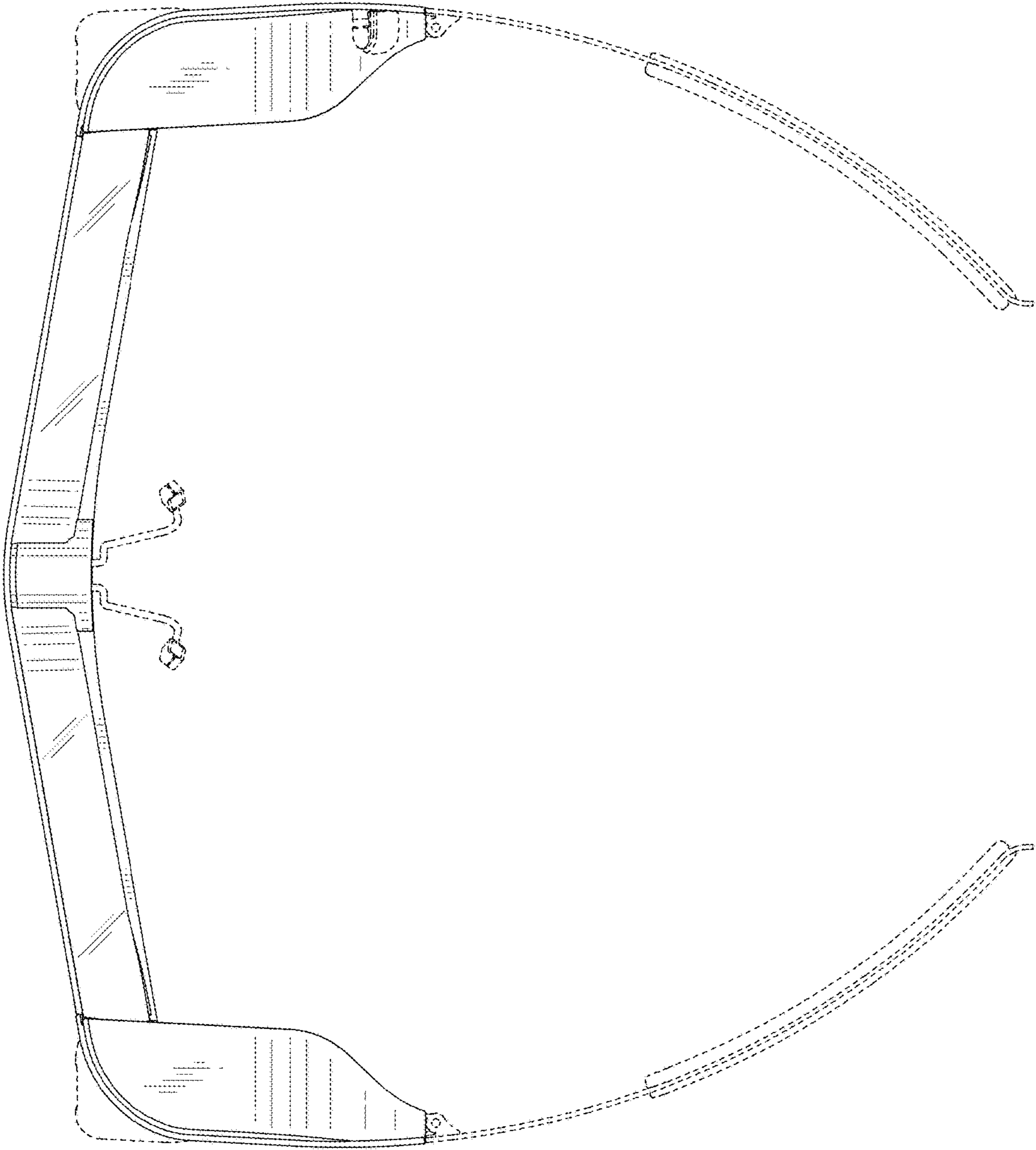


Fig.6

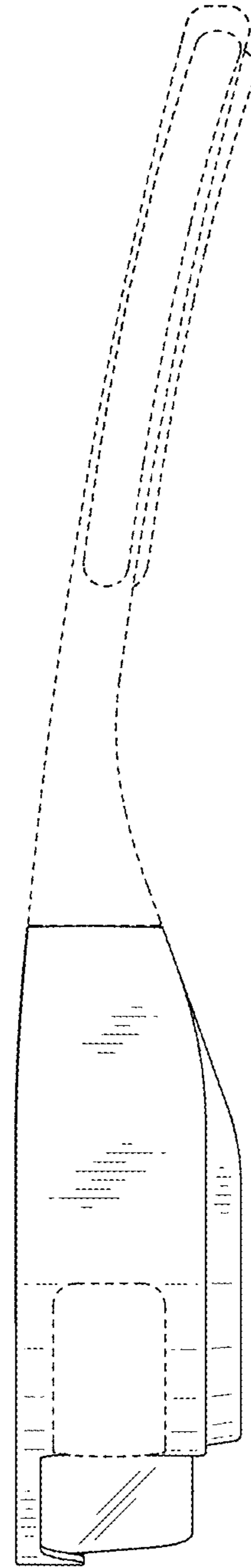


Fig. 7



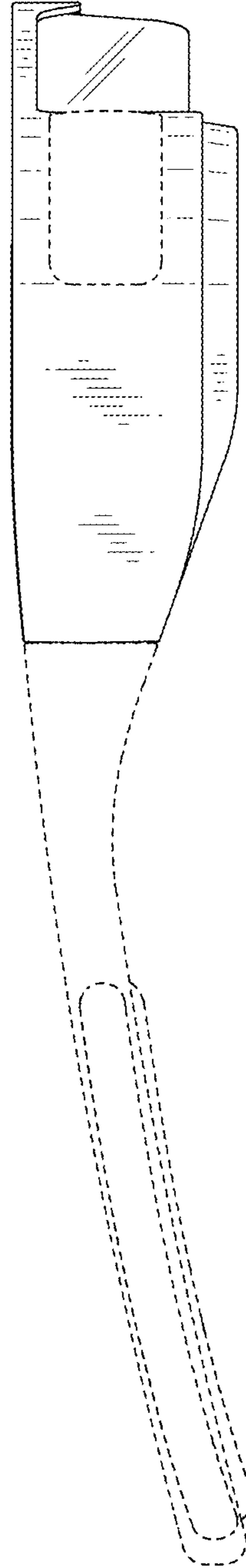


Fig.8