

US00D793385S

(12) **United States Design Patent**
Park et al.

(10) **Patent No.:** **US D793,385 S**

(45) **Date of Patent:** **** Aug. 1, 2017**

(54) **DIGITAL COMMUNICATION DEVICE**

(71) Applicant: **BLUEBIRD INC.**, Seoul (KR)

(72) Inventors: **Jung Sik Park**, Seongnam-si (KR); **Se Bin Park**, Seoul (KR); **Jang Won Lee**, Seoul (KR)

(73) Assignee: **BLUEBIRD INC.**, Seoul (KR)

(**) Term: **15 Years**

(21) Appl. No.: **29/534,330**

(22) Filed: **Jul. 28, 2015**

(30) **Foreign Application Priority Data**

Jan. 29, 2015 (KR) 30-2015-0004990

(51) **LOC (10) Cl.** **14-02**

(52) **U.S. Cl.**
USPC **D14/341**

(58) **Field of Classification Search**

USPC D14/389, 388, 248, 247, 218, 203.7,
D14/203.3, 203.1, 147, 138 G, 138 C,
D14/138 AA, 138 R, 137, 496, 130, 129,
D14/250, 426, 420, 341-347, 315-318;
D6/310, 308; D10/50, 65, 74, 104.1;
D19/60; D21/332

CPC G06F 1/1613; G06F 1/1647; G06F 1/1641;
G06F 1/1626; G06F 3/04883; G06F
3/0486; G06F 3/0484; G06F 3/04847;
G06F 3/04845; G06F 3/04817; G06F
3/1641; A63H 33/3016; H04M 1/0279;
H04M 1/0281; H04M 1/0283; H04M
1/72522; H04M 1/72527; H04M 1/72519;
H04M 1/72583; H04M 1/0214; H04M
1/23; H01Q 1/243; H04B 1/3833

See application file for complete search history.

(56) **References Cited**

U.S. PATENT DOCUMENTS

D615,063 S * 5/2010 Jeong D14/138 AB
D620,467 S * 7/2010 Aarras D14/138 G

D637,992 S * 5/2011 Tom D14/138 G
D643,006 S * 8/2011 Han D14/138 G
D645,442 S * 9/2011 Landwehr D14/138 G
D646,254 S * 10/2011 Kim D14/138 G
D659,569 S * 5/2012 Shadovitz D10/65
D662,486 S * 6/2012 Faoro D14/138 G
D663,319 S * 7/2012 Chen et al. D14/203.3
D672,328 S * 12/2012 Faoro D14/138 G
D675,204 S * 1/2013 Hofer D14/138 G
D677,232 S * 3/2013 Park D14/138 G
D682,237 S * 5/2013 Cai D14/138 G
D682,245 S * 5/2013 Harmon D14/138 G
D683,322 S * 5/2013 Derby D14/138 G

(Continued)

FOREIGN PATENT DOCUMENTS

EM 002743401-0001 * 7/2015

Primary Examiner — Barbara Fox

Assistant Examiner — Mary C Ramirez

(74) *Attorney, Agent, or Firm* — Cantor Colburn LLP

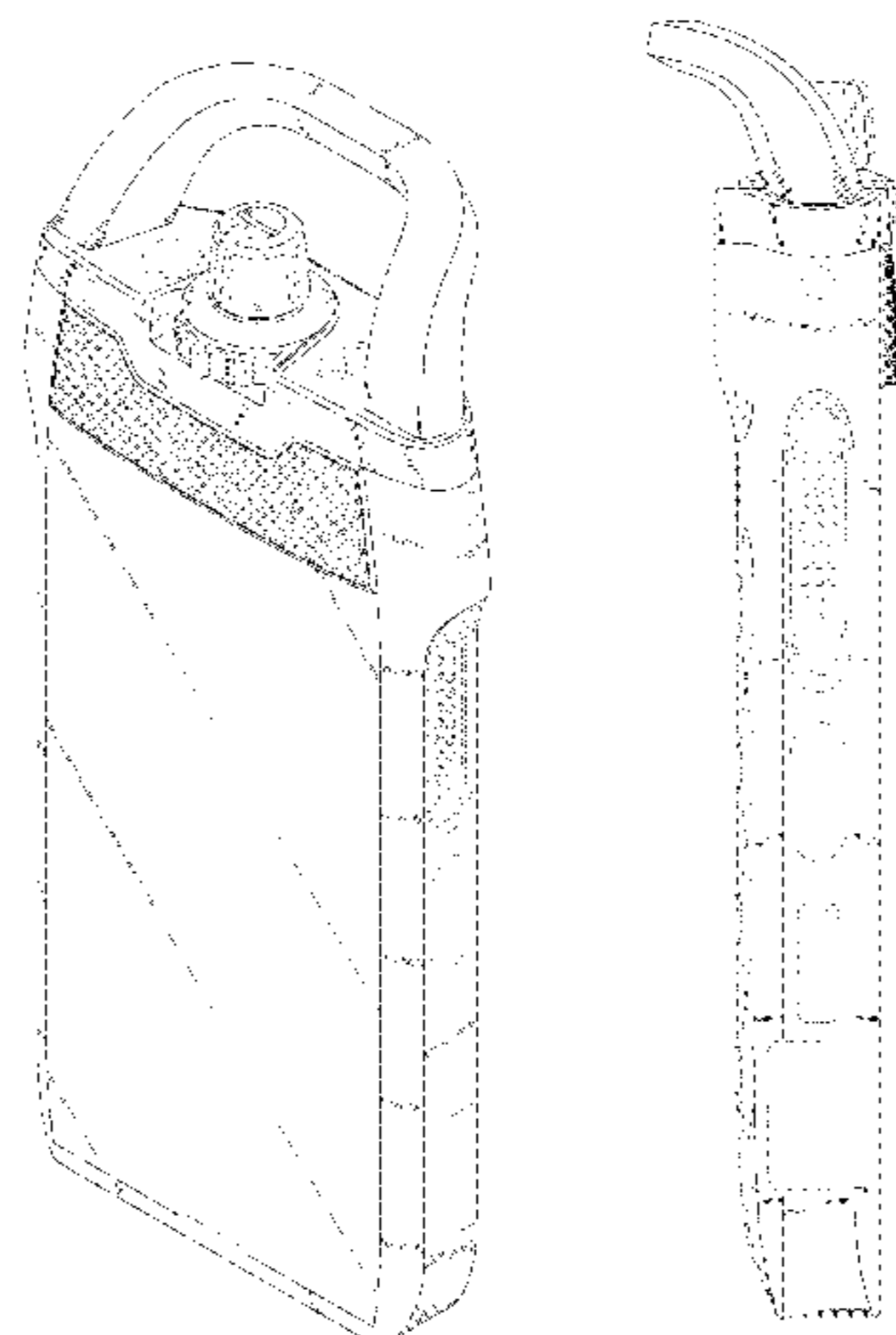
(57) **CLAIM**

The ornamental design for a digital communication device, as shown and described.

DESCRIPTION

FIG. 1 is a front perspective view of a digital communication device showing our new design;
FIG. 2 is a front elevational view thereof;
FIG. 3 is a rear elevational view thereof;
FIG. 4 is a left side elevational view thereof;
FIG. 5 is a right side elevational view thereof;
FIG. 6 is a top plan view thereof shown enlarged; and,
FIG. 7 is a bottom plan view thereof shown enlarged.
The broken lines shown in the drawings illustrate portions of the digital communication device that form no part of the claimed design.

1 Claim, 7 Drawing Sheets



(56)

References Cited

U.S. PATENT DOCUMENTS

D687,821 S *	8/2013	Lee	D14/138 G
D688,221 S *	8/2013	Zuffo	D14/138 G
D688,223 S *	8/2013	Oh	D14/138 G
D689,455 S *	9/2013	Daniel	D10/65
D703,661 S *	4/2014	Krause	D14/341
D705,188 S *	5/2014	Chau	D14/138 G
D710,812 S *	8/2014	Yonghee	D14/138 G
D720,346 S *	12/2014	Davis	D14/341
2008/0070644 A1 *	3/2008	Park	H04M 1/0214 455/575.3

* cited by examiner

Fig. 1

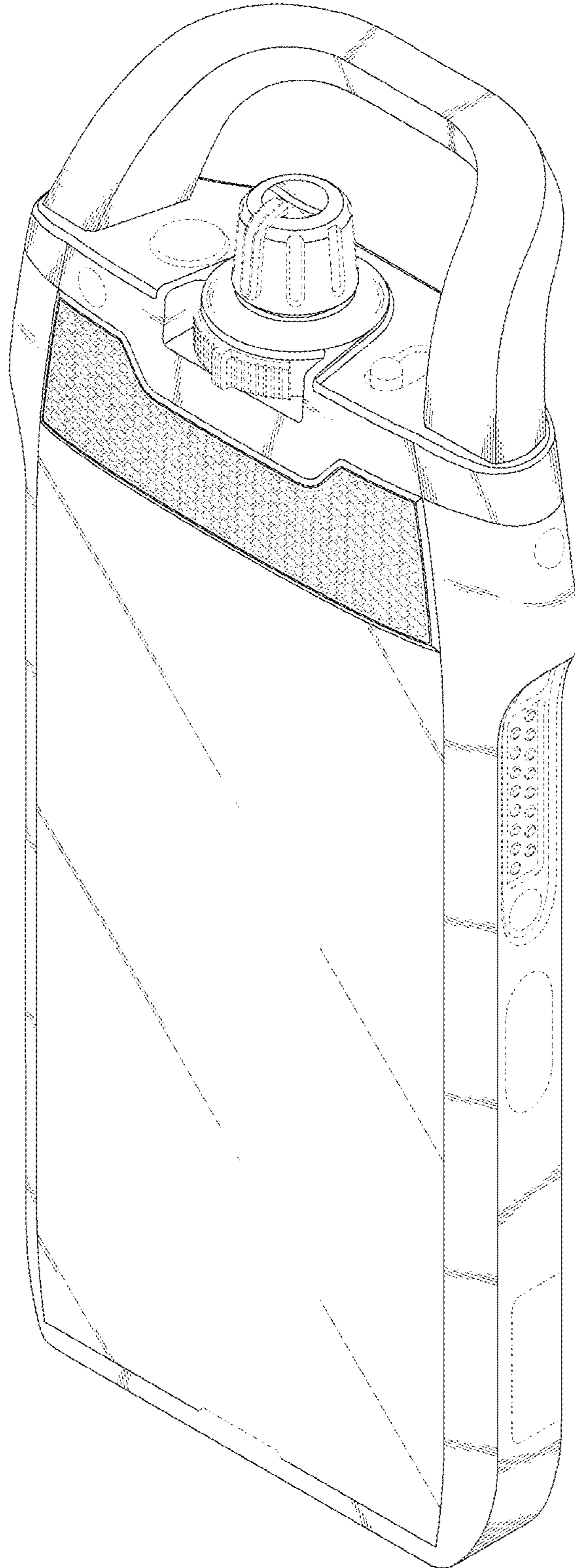


Fig. 2

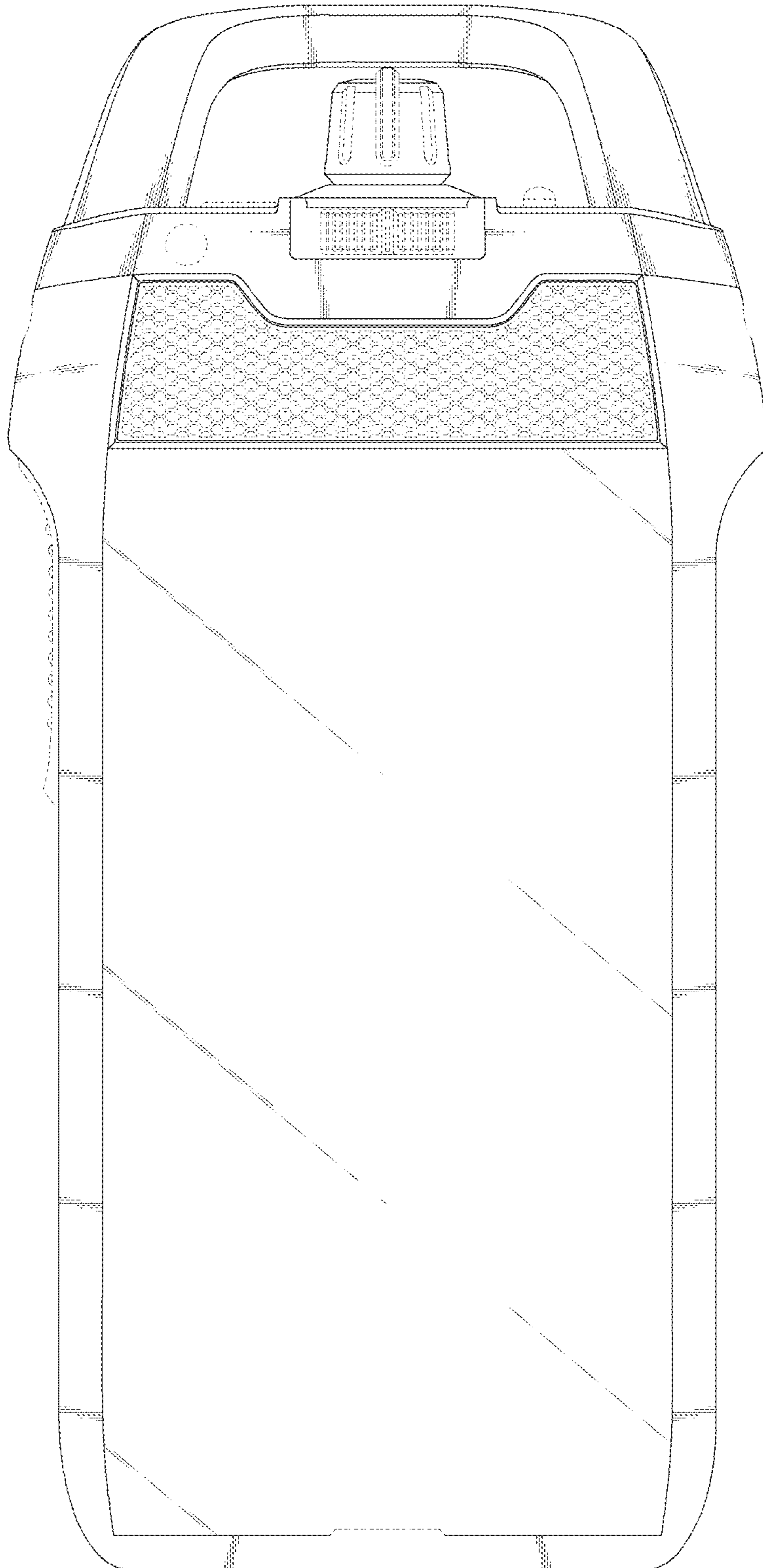


Fig. 3

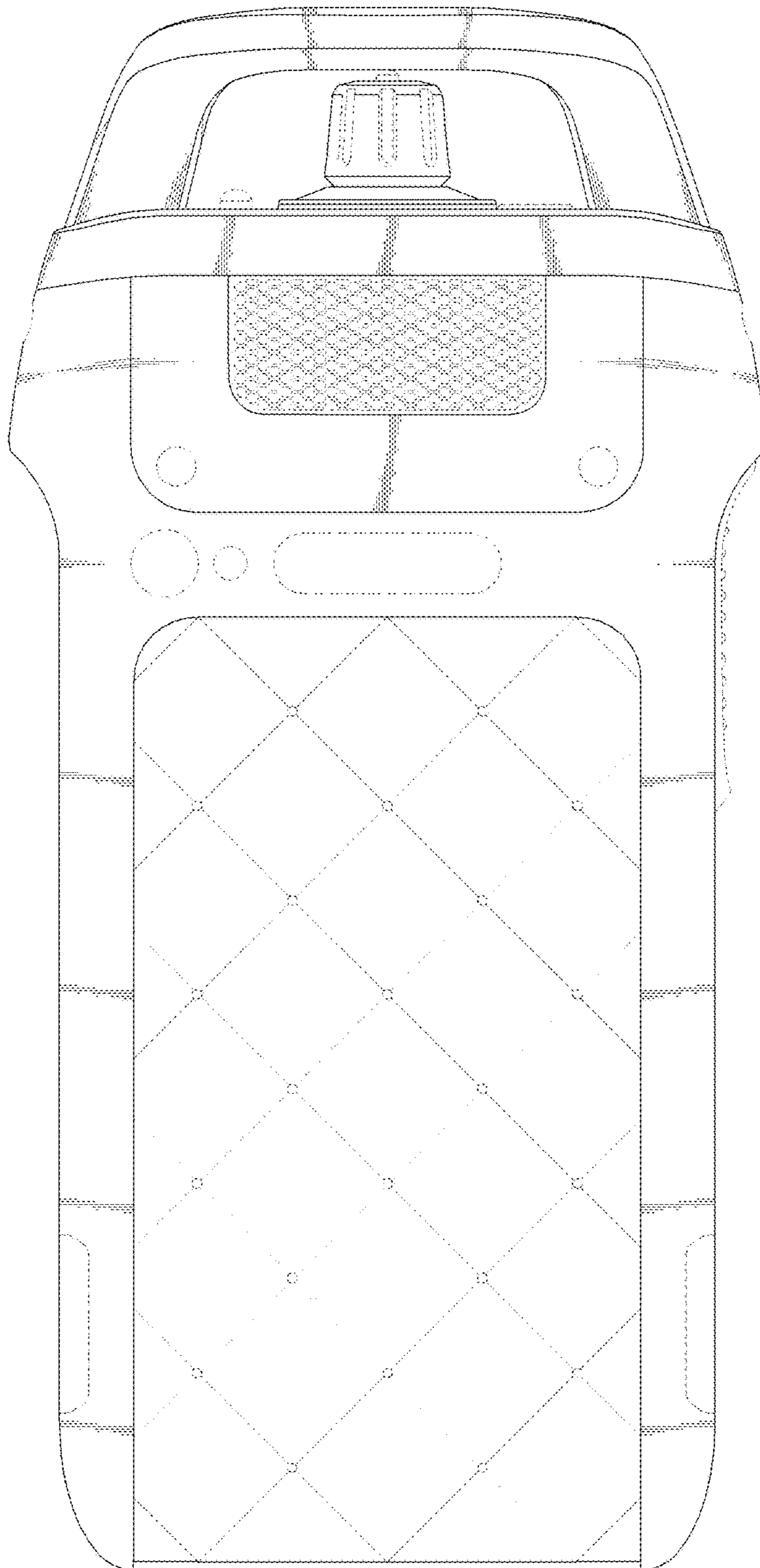


Fig. 4

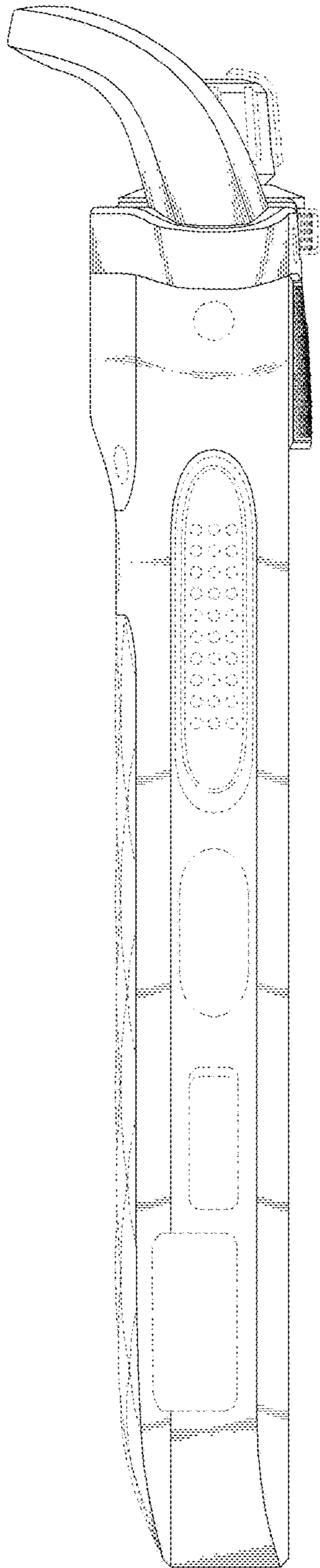


Fig. 5

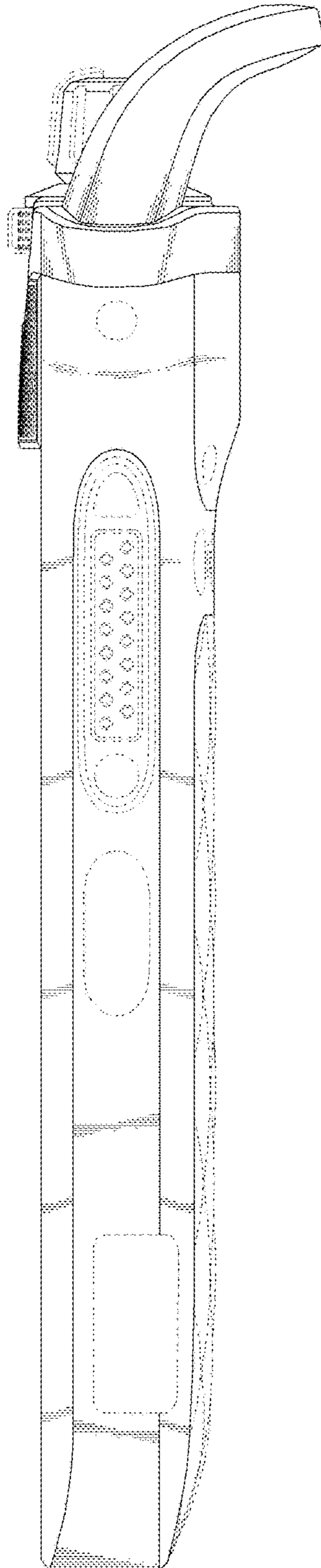


Fig. 6

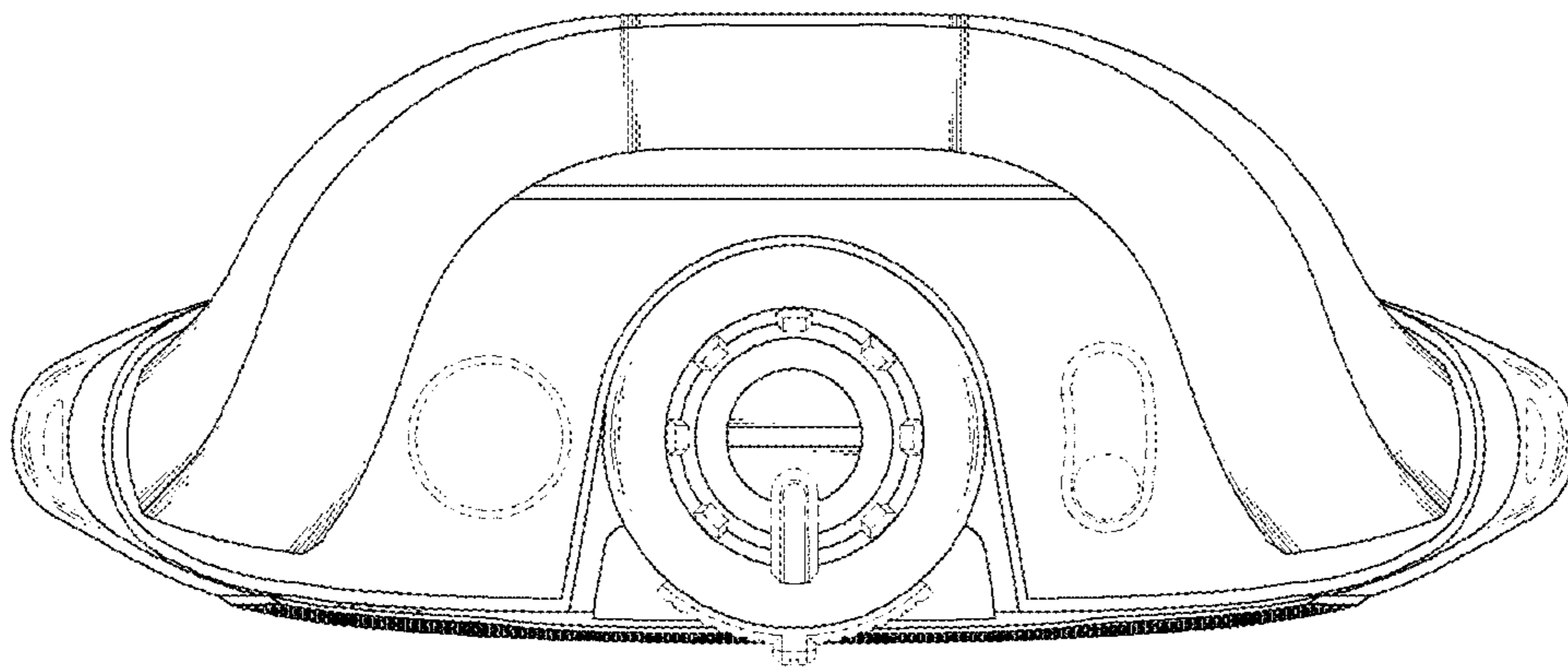


Fig. 7

