

US00D793383S

(12) **United States Design Patent** (10) **Patent No.:** **US D793,383 S**
Cai (45) **Date of Patent:** **** Aug. 1, 2017**

(54) **TABLET COMPUTER**
(71) Applicant: **USA 111, Inc.**, Groveport, OH (US)
(72) Inventor: **Xianbo Cai**, Guangdong (CN)
(73) Assignee: **USA 111, Inc.**, Groveport, OH (US)
(**) Term: **14 Years**

D703,665 S * 4/2014 Suzuki D14/341
D719,151 S * 12/2014 Hirayama D14/341
D719,565 S * 12/2014 Hirayama D14/341
D723,548 S * 3/2015 Cheung D14/341
D723,549 S * 3/2015 Kwong D14/341
D723,551 S * 3/2015 Fu D14/341
D746,278 S * 12/2015 Chen D14/341

(Continued)

(21) Appl. No.: **29/520,270**
(22) Filed: **Mar. 12, 2015**
(51) **LOC (10) Cl.** **14-02**
(52) **U.S. Cl.**
USPC **D14/341**
(58) **Field of Classification Search**
USPC D14/341-347, 137, 138 R, 138 AA,
D14/138 C, 138 G, 496, 203.1, 203.3,
D14/203.4, 203.7, 129, 130, 147, 218,
D14/247, 248, 250, 385, 388, 389,
D14/315-318, 420, 426, 439; D21/324,
D21/329, 330, 332
CPC . A63H 33/3016; G06F 1/1613; G06F 1/1647;
G06F 1/1641; G06F 3/04883; G06F
3/0486; G06F 3/04847; G06F 3/04845;
G06F 3/0484; H04M 1/0279; H04M
1/0281; H04M 1/0283
See application file for complete search history.

OTHER PUBLICATIONS

youtube.com, announced Apr. 17, 2015 [online]. [site visited Jan. 3, 2017]. Available from Internet, URL: <https://www.youtube.com/watch?v=k6nnpmZz85Q>.*

(Continued)

Primary Examiner — Barbara Fox
Assistant Examiner — Dana K Weiland
(74) *Attorney, Agent, or Firm* — Dinsmore & Shohl LLP

(57) **CLAIM**

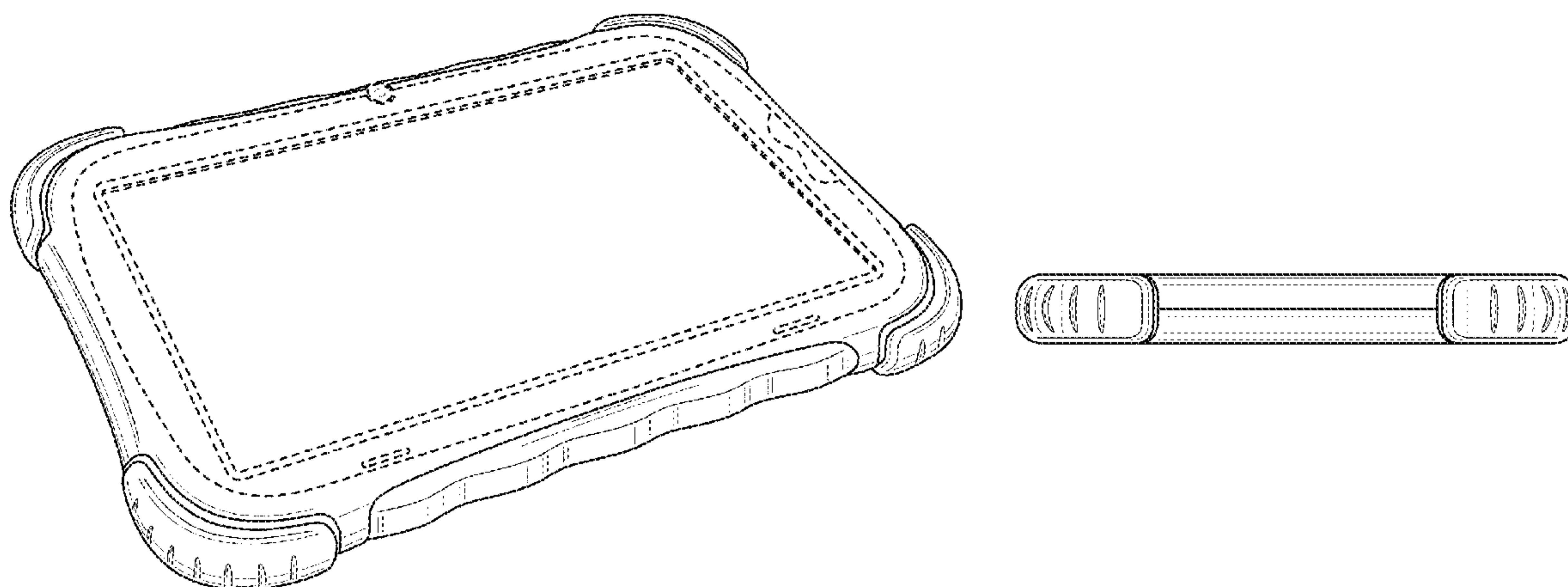
The ornamental design of a tablet computer, as shown and described.

DESCRIPTION

FIG. 1 is a top, left, back, perspective view of a tablet computer illustrating my new design;
FIG. 2 is a top view thereof;
FIG. 3 is a bottom view thereof;
FIG. 4 is a left side elevation view thereof;
FIG. 5 is a right side elevation view thereof;
FIG. 6 is a front side elevation view thereof;
FIG. 7 is a back side elevation view thereof;
FIG. 8 is a top, right, front, perspective view thereof;
FIG. 9 is a bottom, right, back, perspective view thereof;
and,
FIG. 10 is a bottom, left, front, perspective view thereof.
The broken lines in the drawings represent portions of the tablet computer that form no part of the claimed design.

(56) **References Cited**
U.S. PATENT DOCUMENTS
D539,354 S * 3/2007 Mak D21/329
D627,780 S * 11/2010 Kuroda D14/346
D648,721 S * 11/2011 Wong D14/345
D660,295 S * 5/2012 Mak D14/345
D674,386 S * 1/2013 Mak D14/341
D676,043 S * 2/2013 Hirose D14/341
D684,150 S * 6/2013 Goradesky D14/250
D698,354 S * 1/2014 Mak D14/341
D701,203 S * 3/2014 Katori D14/341

1 Claim, 10 Drawing Sheets



(56)

References Cited

U.S. PATENT DOCUMENTS

D754,124 S * 4/2016 Kim D14/341
2007/0054736 A1 * 3/2007 See A63F 13/06
463/37

OTHER PUBLICATIONS

fractuslearning.com, announced Nov. 1, 2016 [online]. [site visited Jan. 3, 2017]. Available from Internet, URL: <<https://www.fractuslearning.com/2013/11/28/android-tablets-for-kids/>>.*

ebay.com, announced 2016 [online]. [site visited Jan. 3, 2017]. Available from Internet, URL: <http://www.ebay.com/itm/Irulu-BabyPad-7-034-Quad-Core-Android-4-4-Tablet-Pad-para-ninos-Ninos-Con-Estuche-/390641165982?ul=BO&nma=true&si=LRA8fEGKdtQ2D2OZmWb7bvIH%252F7k%253D&orig_cvip=true&rt=nc&trksid=p2047675.12557>.*

twitter.com, announced Oct. 19, 2014 [online]. [site visited Jan. 3, 2017]. Available from Internet, URL: <<https://twitter.com/irulutechnology/status/524047098287648768>>.*

independent.co.uk, announced Jul. 20, 2015 [online], [site visited Jan. 3, 2017]. Available from Internet, URL: <<http://www.independent.co.uk/extras/indybest/gadgets-tech/best-tablets-for-kids-children-leappad-amazon-fire-hudl-nabi-ipad-mini-10402751.html>>.*

“A Comparison Guide to the Best Tablets for Kids and Adults” <http://coolmomtech.com/2012/12/guide-to-best-tablets-for-adults-and-kids/> Date Published: Dec. 13, 2012.

“Arnovia ChildPad” <http://www.freemake.com/blog/convert-video-dvd-for-kids-tablets-nabi-2-innotab-etc/> Date Website Captured: Dec. 16, 2014.

“Kindle Kid Proof Case” http://www.amazon.com/dp/BOOLORCVSW/ref=fs_ket Date Website Captured: Dec. 16, 2014.

* cited by examiner

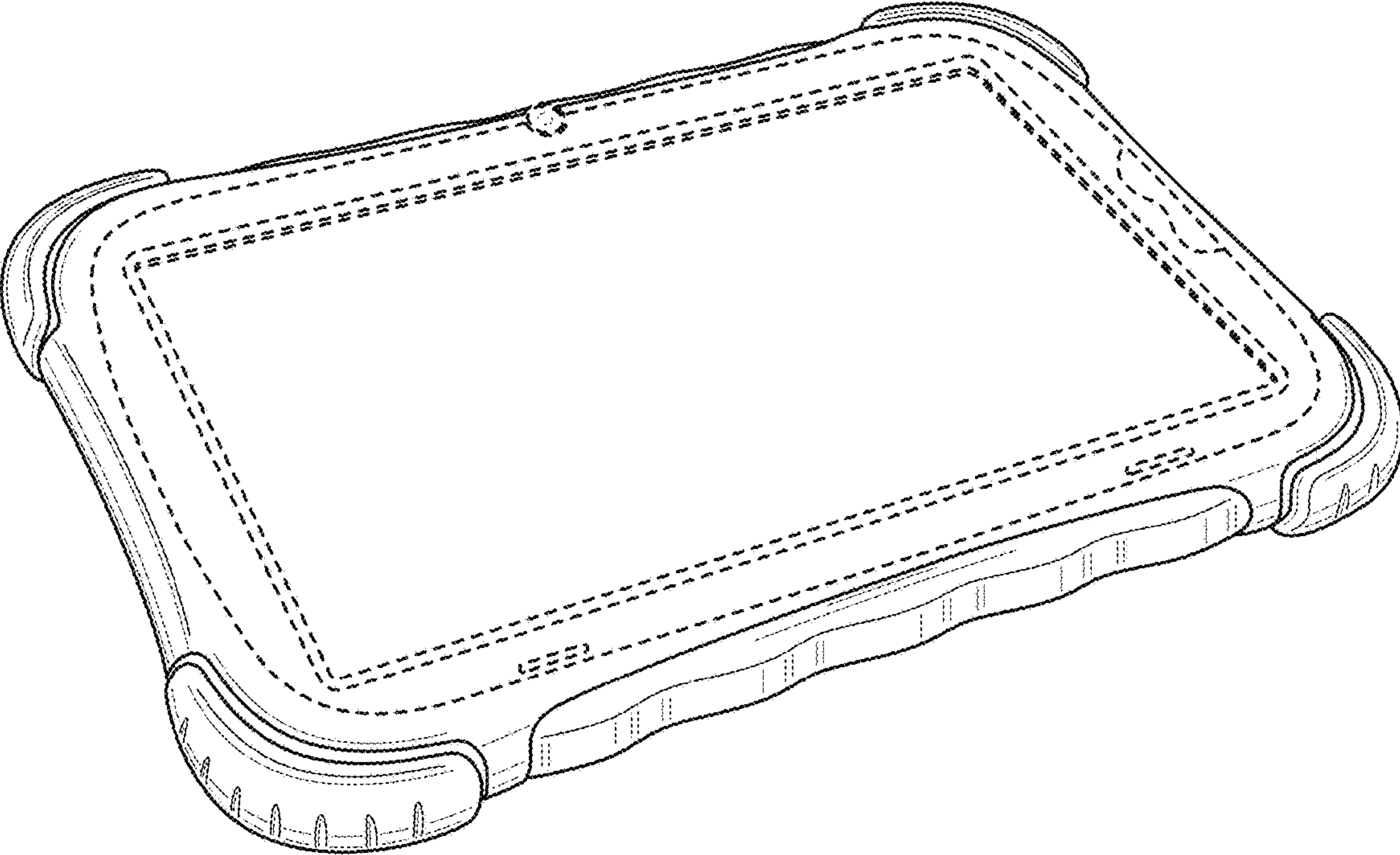


FIG. 1

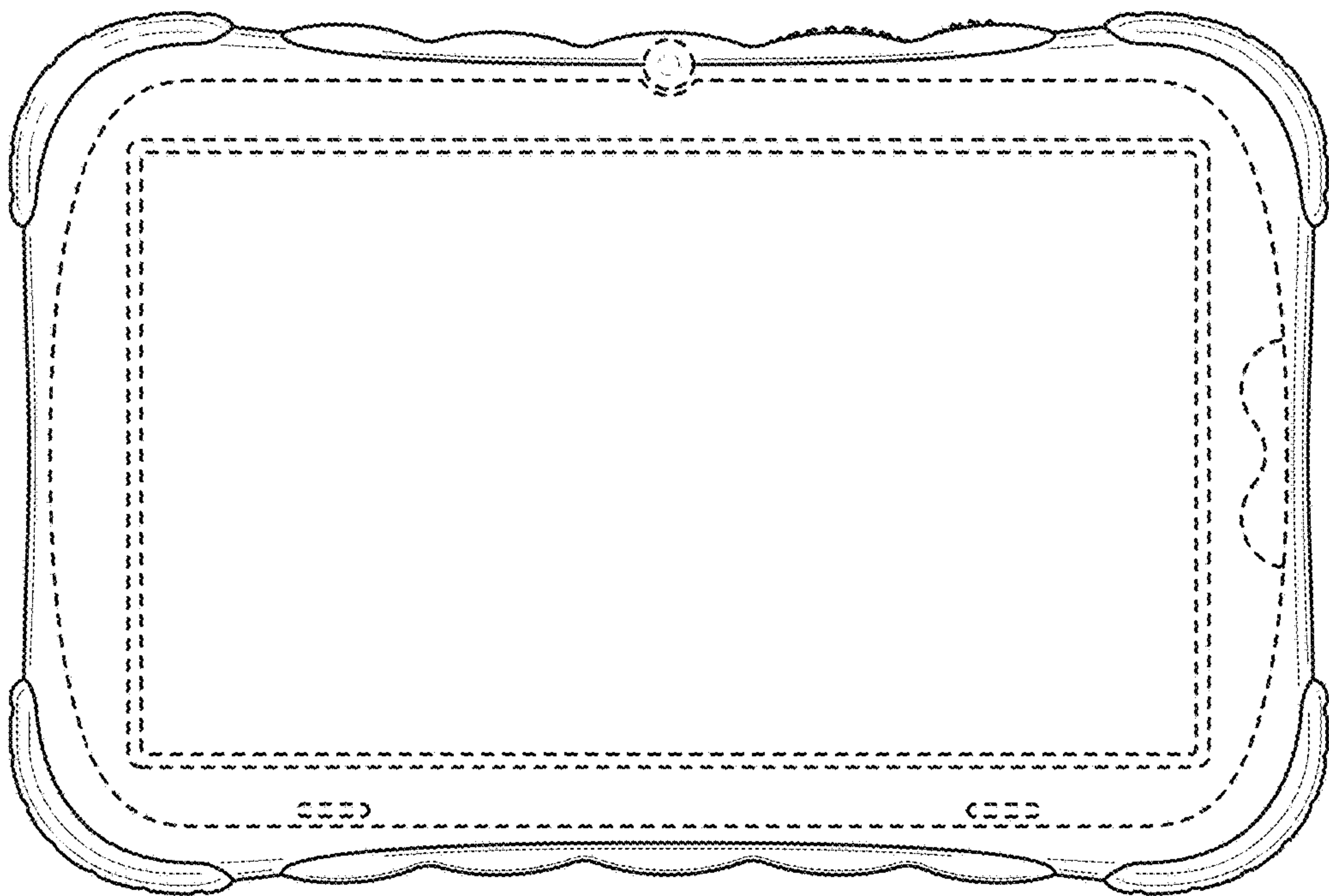


FIG. 2

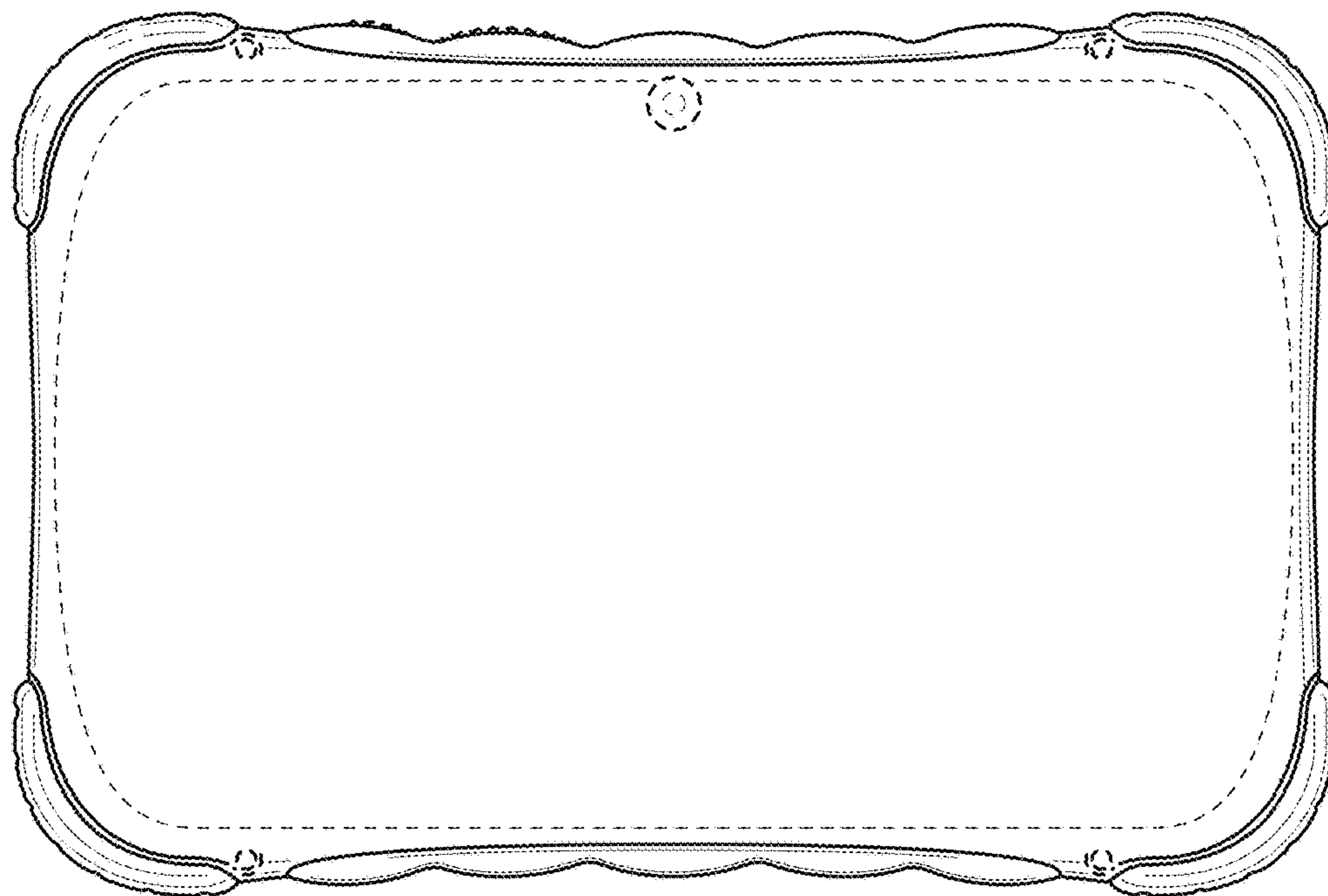


FIG. 3



FIG. 4



FIG. 5

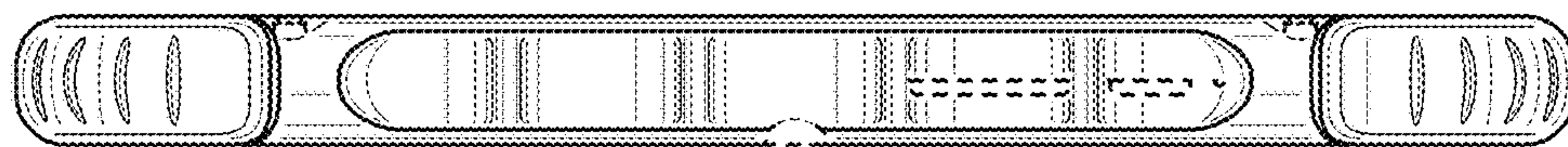


FIG. 6

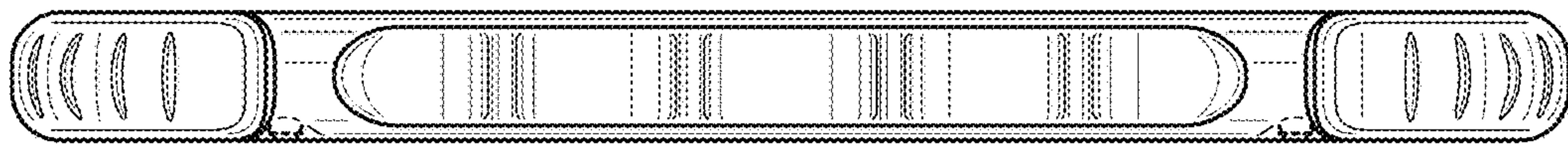


FIG. 7

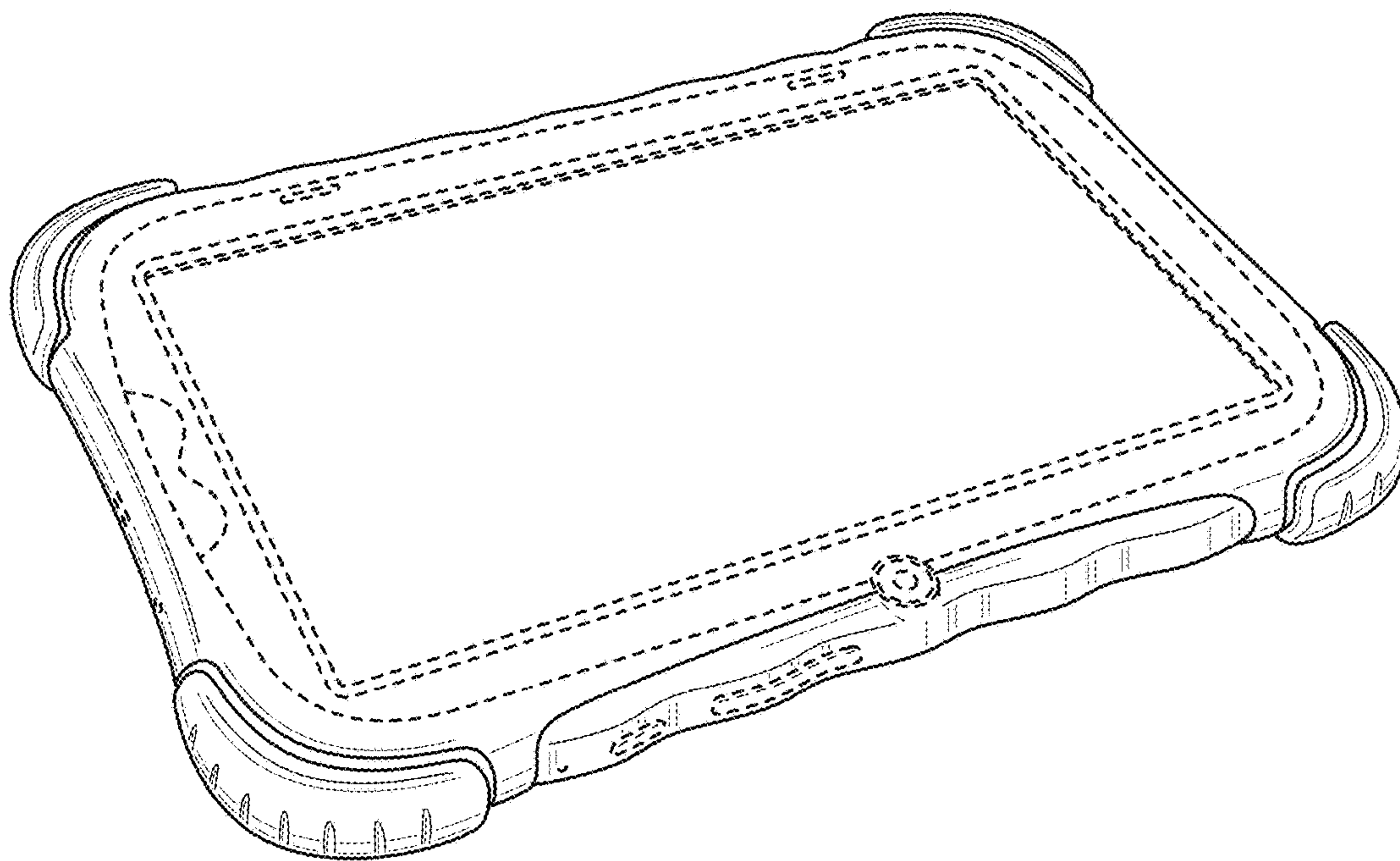


FIG. 8

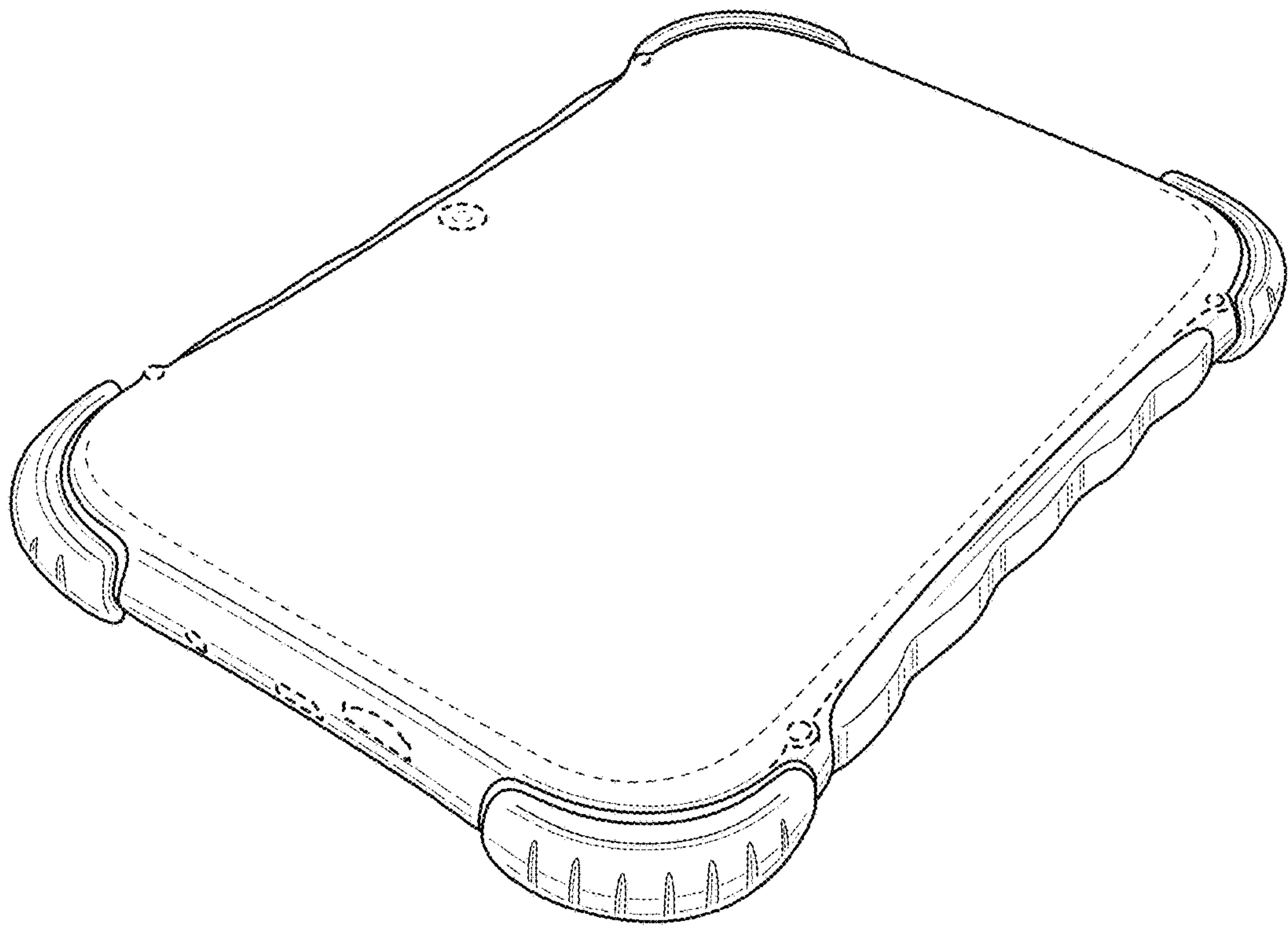


FIG. 9

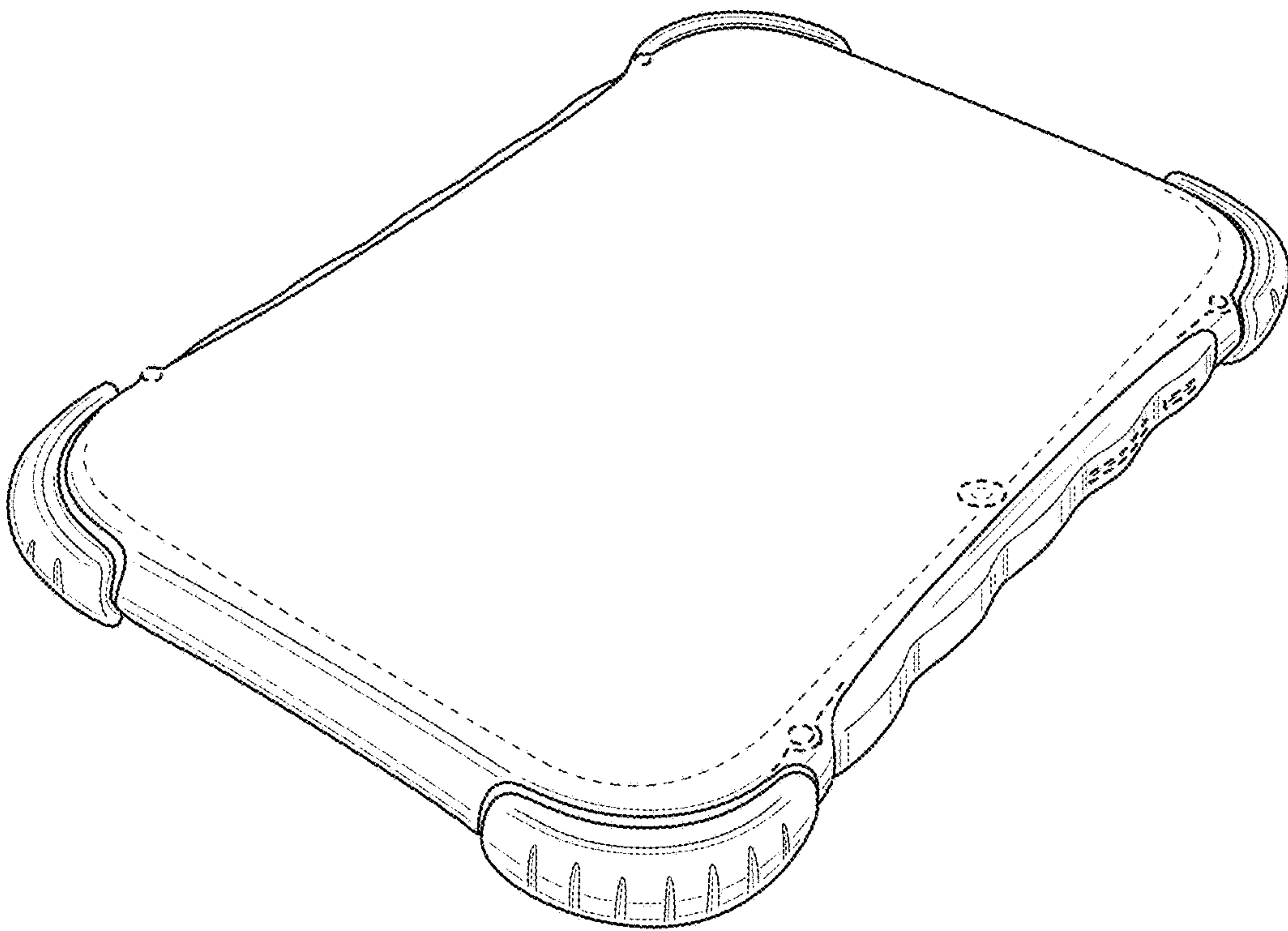


FIG. 10