



US00D793373S

(12) **United States Design Patent**
Iellici

(10) **Patent No.:** **US D793,373 S**

(45) **Date of Patent:** **** Aug. 1, 2017**

(54) **ANTENNA**

(71) Applicant: **Airgain Incorporated**, San Diego, CA
(US)

(72) Inventor: **Devis Iellici**, Cambridge (GB)

(73) Assignee: **Airgain Incorporated**, San Diego, CA
(US)

(**) Term: **15 Years**

(21) Appl. No.: **29/582,300**

(22) Filed: **Oct. 26, 2016**

(51) **LOC (10) Cl.** **14-03**

(52) **U.S. Cl.**
USPC **D14/230**

(58) **Field of Classification Search**
USPC D14/138, 230-238, 299, 358; D12/42,
D12/43
CPC H01Q 7/00; H01Q 13/10; H01Q 9/285;
H01Q 19/30; H01Q 19/12; H01Q 1/38;
H01Q 1/36; H04B 1/0475; H04B 1/034;
H05K 11/00
See application file for complete search history.

(56) **References Cited**

U.S. PATENT DOCUMENTS

7,061,437	B2	6/2006	Lin et al.
7,148,849	B2	12/2006	Lin
7,215,296	B2	5/2007	Abramov et al.
D546,821	S	7/2007	Oliver
D549,696	S	8/2007	Oshima et al.
7,333,067	B2	2/2008	Hung et al.
7,336,959	B2	2/2008	Khitrik et al.
D573,589	S	7/2008	Montgomery et al.
7,405,704	B1	7/2008	Lin et al.
7,477,195	B2	1/2009	Vance
D592,195	S	5/2009	Wu et al.
7,570,215	B2	8/2009	Abramov et al.

D599,334	S	9/2009	Chiang	
D603,851	S	* 11/2009	Montgomery	D14/230
D606,053	S	12/2009	Wu et al.	
D607,442	S	1/2010	Su et al.	
D608,769	S	1/2010	Bufe	
D610,132	S	* 2/2010	Kishler	D14/230
D612,368	S	3/2010	Yang et al.	
7,705,783	B2	4/2010	Rao et al.	
7,729,662	B2	6/2010	Abramov et al.	
D621,819	S	8/2010	Tsai et al.	
7,843,390	B2	11/2010	Liu	

(Continued)

Primary Examiner — John Windmuller

(74) *Attorney, Agent, or Firm* — Clause Eight IPS;
Michael Catania

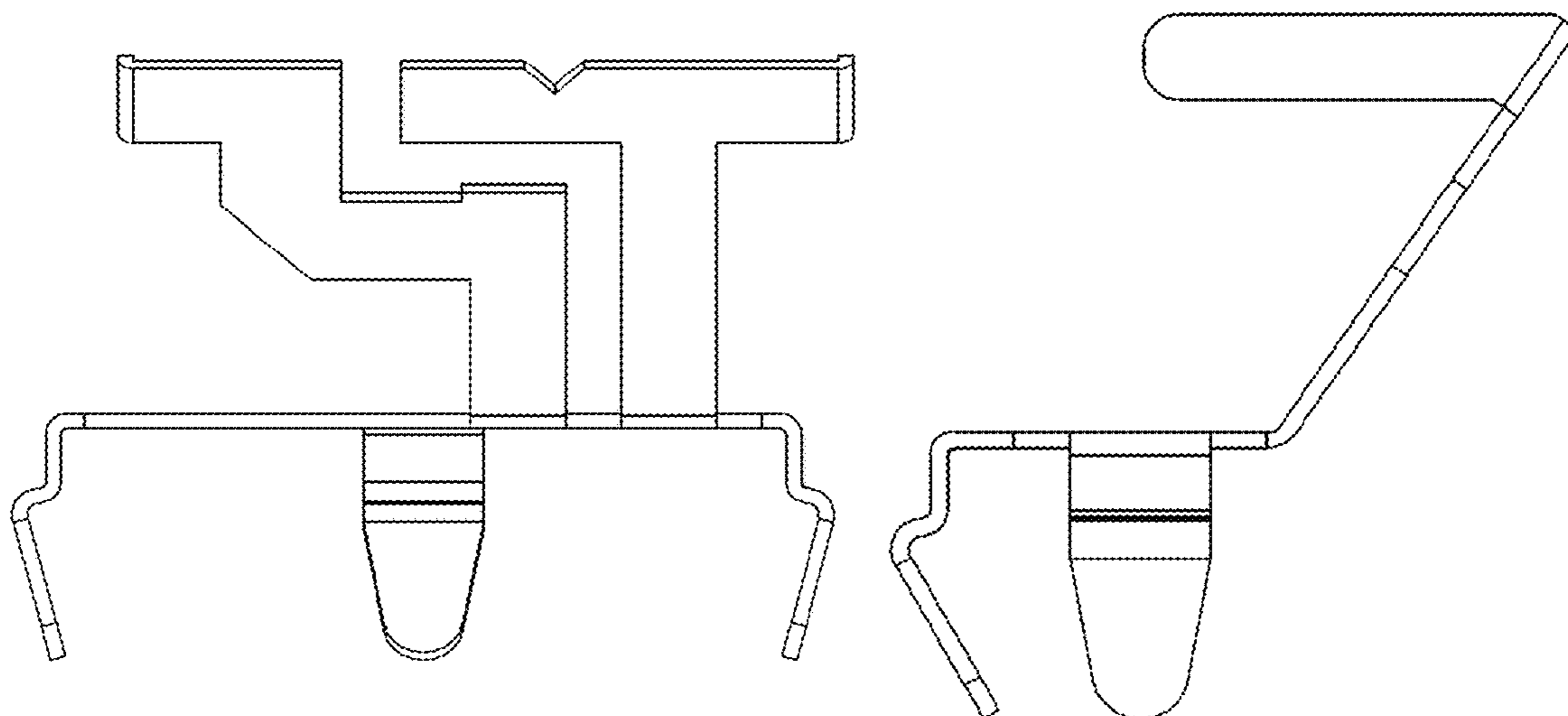
(57) **CLAIM**

The ornamental design for an antenna, as shown and described.

DESCRIPTION

FIG. 1 is a front elevation view of a preferred embodiment of an antenna.
 FIG. 2 is a side elevation view of the antenna of FIG. 1.
 FIG. 3 is a side elevation view of the antenna of FIG. 1.
 FIG. 4 is a bottom plan view of the antenna of FIG. 1.
 FIG. 5 is a top plan view of the antenna of FIG. 1.
 FIG. 6 is a top perspective view of the antenna of FIG. 1.
 FIG. 7 is a top perspective view of the antenna of FIG. 1.
 FIG. 8 is a front elevation view thereof with a base.
 FIG. 9 is a side elevation view of the antenna of FIG. 8.
 FIG. 10 is a side elevation view of the antenna of FIG. 8.
 FIG. 11 is a bottom plan view of the antenna of FIG. 8.
 FIG. 12 is a top plan view of the antenna of FIG. 8.
 FIG. 13 is a top perspective view of the antenna of FIG. 8; and,
 FIG. 14 is a top perspective view of the antenna of FIG. 8.
 The broken lines in the figures depict a base that forms no part of the claimed design.

1 Claim, 14 Drawing Sheets



(56)

References Cited

U.S. PATENT DOCUMENTS

D630,195 S *	1/2011	Su	D14/230	D707,665 S *	6/2014	Chu	D14/230
D633,483 S *	3/2011	Su	D14/230	D708,602 S	7/2014	Gosalia et al.	
D635,127 S	3/2011	Tsai et al.		D709,053 S	7/2014	Chang et al.	
7,907,971 B2	3/2011	Salo et al.		D710,832 S	8/2014	Yang	
D635,560 S	4/2011	Tsai et al.		D710,833 S	8/2014	Zheng et al.	
D635,963 S	4/2011	Podduturi		8,854,265 B1	10/2014	Yang et al.	
D635,964 S	4/2011	Podduturi		D716,775 S	11/2014	Bidermann	
D635,965 S	4/2011	Mi et al.		D741,301 S *	10/2015	He	D14/230
D636,382 S	4/2011	Podduturi		D766,220 S *	9/2016	He	D14/230
D636,764 S *	4/2011	Mi	D14/230	D766,882 S *	9/2016	Schulteis	D14/230
7,965,242 B2	6/2011	Abramov et al.		D767,543 S *	9/2016	Chang	D14/230
D649,534 S *	11/2011	Mi	D14/230	D768,117 S *	10/2016	Yang	D14/230
D649,962 S	12/2011	Tseng et al.		D778,883 S *	2/2017	Zheng	D14/230
D651,198 S	12/2011	Mi et al.		2002/0003499 A1	1/2002	Kouam et al.	
D654,059 S	2/2012	Mi et al.		2004/0012528 A1 *	1/2004	Dai	H01Q 1/36 343/702
D654,060 S	2/2012	Ko et al.		2004/0222936 A1	11/2004	Hung et al.	
D658,639 S	5/2012	Huang et al.		2005/0073462 A1	4/2005	Lin et al.	
D659,129 S *	5/2012	Mi	D14/230	2005/0190108 A1	9/2005	Lin et al.	
D659,685 S	5/2012	Huang et al.		2006/0208900 A1	9/2006	Tavassoli Hozouri	
D659,688 S	5/2012	Huang et al.		2007/0030203 A1	2/2007	Tsai et al.	
8,175,036 B2	5/2012	Visuri et al.		2008/0150829 A1	6/2008	Lin et al.	
8,184,601 B2	5/2012	Abramov et al.		2008/0266180 A1 *	10/2008	Wu	H01Q 1/243 343/700 MS
D662,916 S	7/2012	Huang et al.		2008/0266189 A1 *	10/2008	Wu	H01Q 1/22 343/702
8,248,970 B2	8/2012	Abramov et al.		2009/0002244 A1	1/2009	Woo	
D671,097 S	11/2012	Mi et al.		2009/0058739 A1	3/2009	Konishi	
8,310,402 B2	11/2012	Yang		2009/0135072 A1	5/2009	Ke et al.	
D676,429 S	2/2013	Gosalia et al.		2009/0262028 A1	10/2009	Mumbru et al.	
D678,255 S	3/2013	Ko et al.		2009/0267840 A1 *	10/2009	Xu	H01Q 9/0442 343/700 MS
8,423,084 B2	4/2013	Abramov et al.		2010/0171664 A1 *	7/2010	Yang	H01Q 1/2266 343/700 MS
D684,565 S	6/2013	Wei		2010/0188297 A1	7/2010	Chen et al.	
D685,352 S	7/2013	Wei		2010/0253582 A1 *	10/2010	Nozawa	H01Q 1/243 343/702
D685,772 S	7/2013	Zheng et al.		2010/0309067 A1	12/2010	Tsou et al.	
D686,600 S	7/2013	Yang		2011/0006950 A1	1/2011	Park et al.	
D689,474 S	9/2013	Yang et al.		2012/0038514 A1	2/2012	Bang	
D692,870 S	11/2013	He		2012/0229348 A1	9/2012	Chiang	
D694,738 S	12/2013	Yang		2012/0242546 A1	9/2012	Hu et al.	
D695,279 S	12/2013	Yang et al.		2013/0033399 A1 *	2/2013	Huang	H01Q 5/357 343/700 MS
D695,280 S	12/2013	Yang et al.					
D703,195 S	4/2014	Zheng					
D703,196 S	4/2014	Zheng					
D706,247 S	6/2014	Zheng et al.					
D706,750 S	6/2014	Bringuir					
D706,751 S	6/2014	Chang et al.					

* cited by examiner

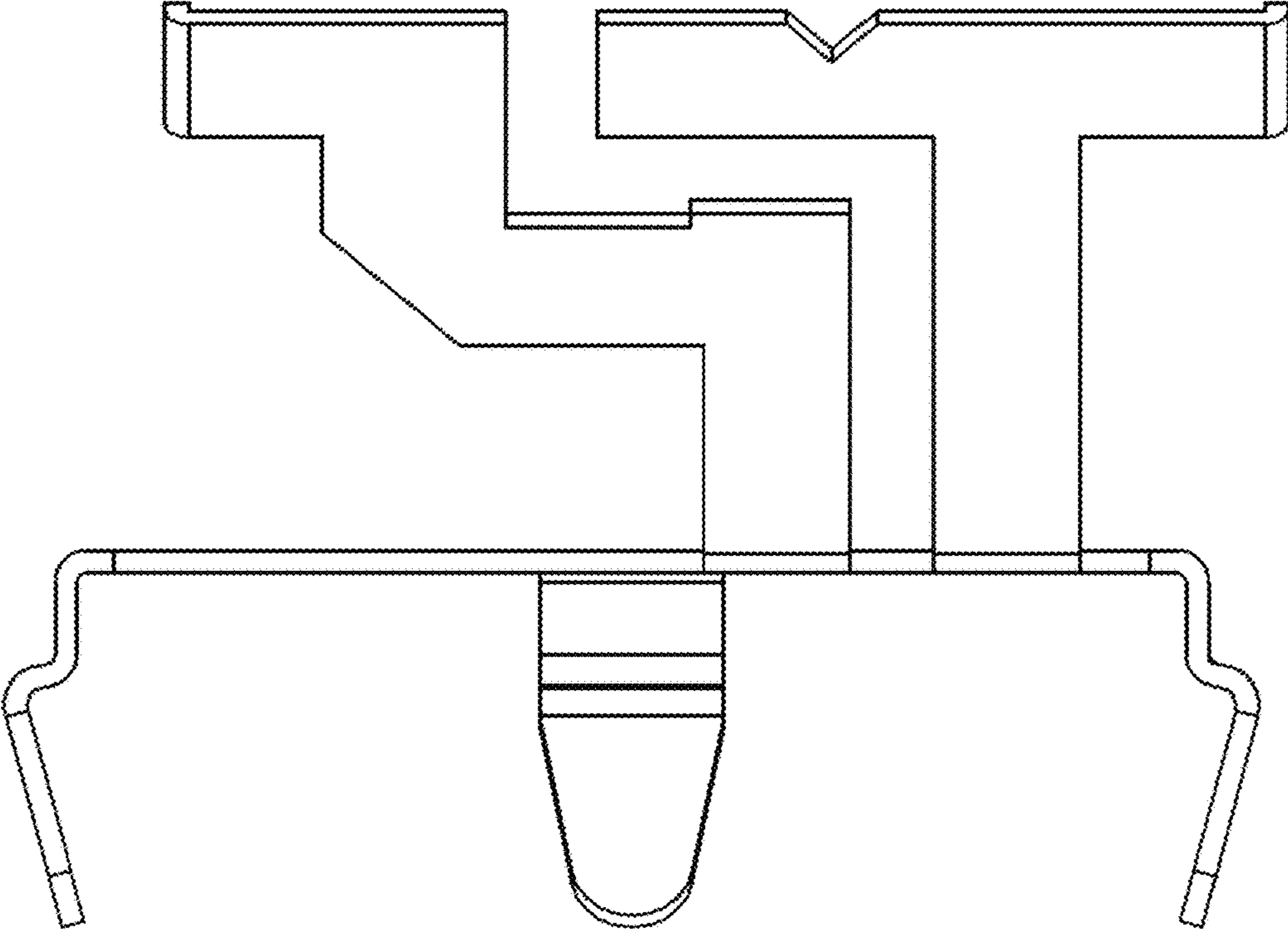


FIG. 1

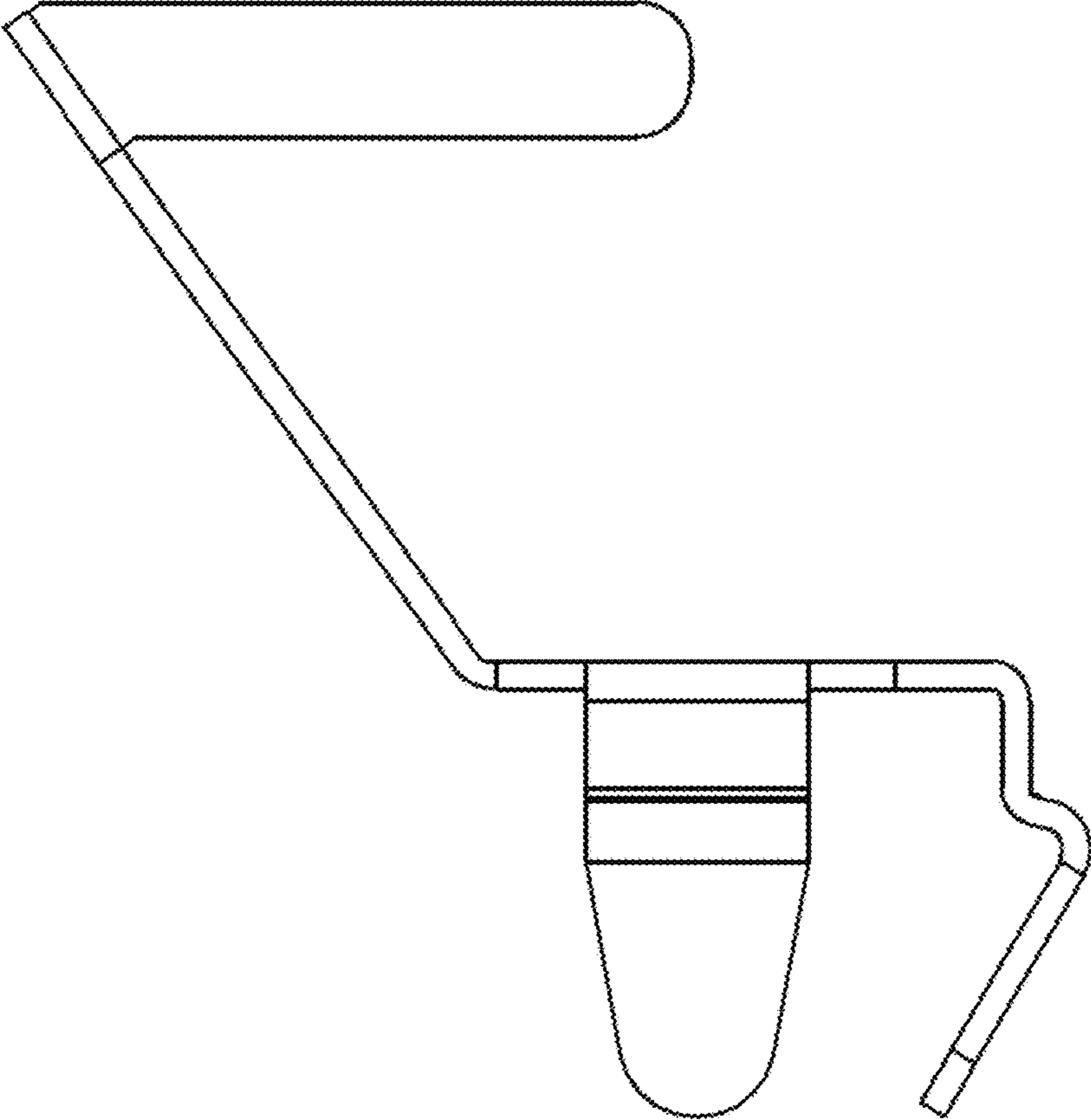


FIG. 2

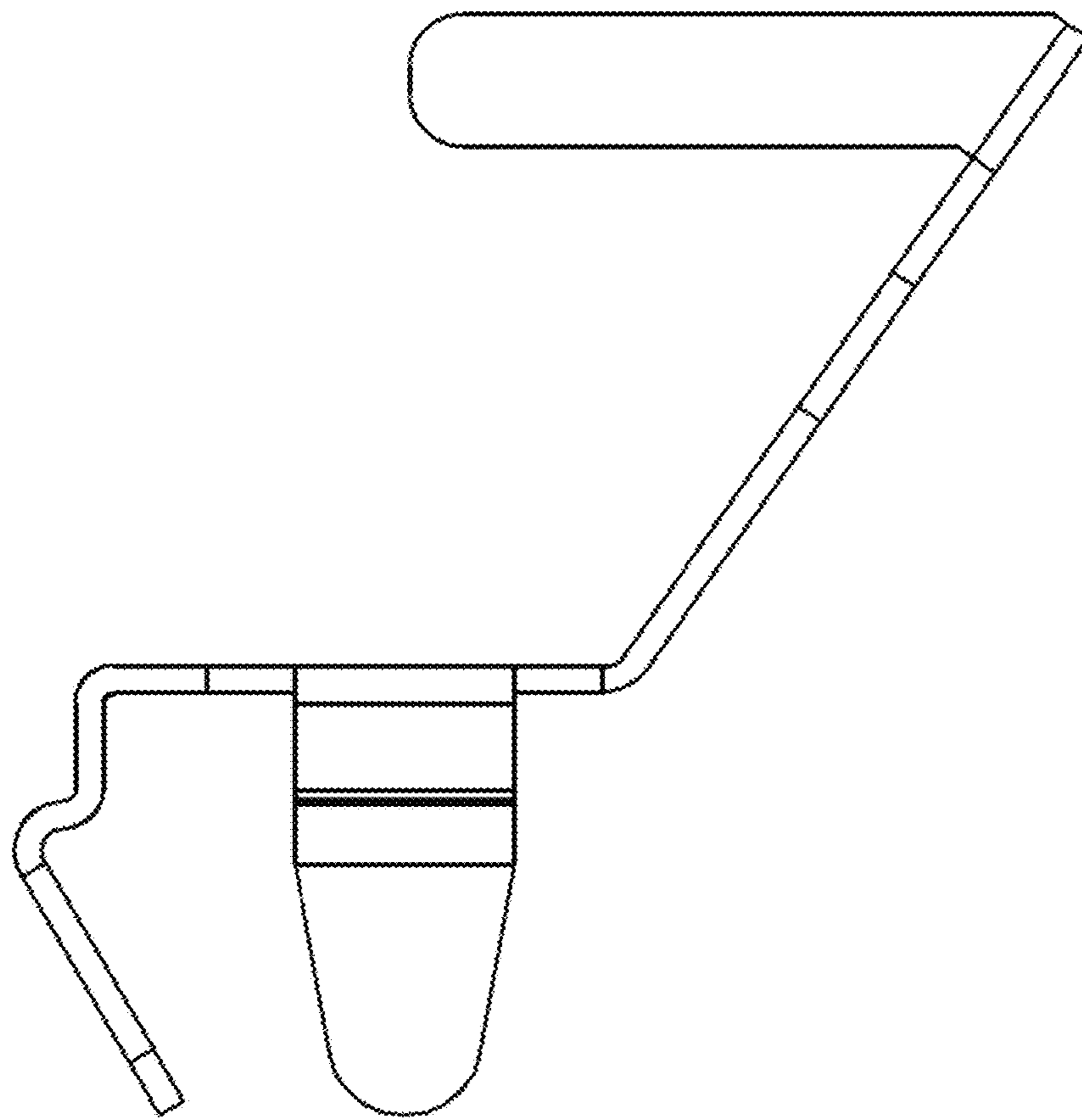


FIG. 3

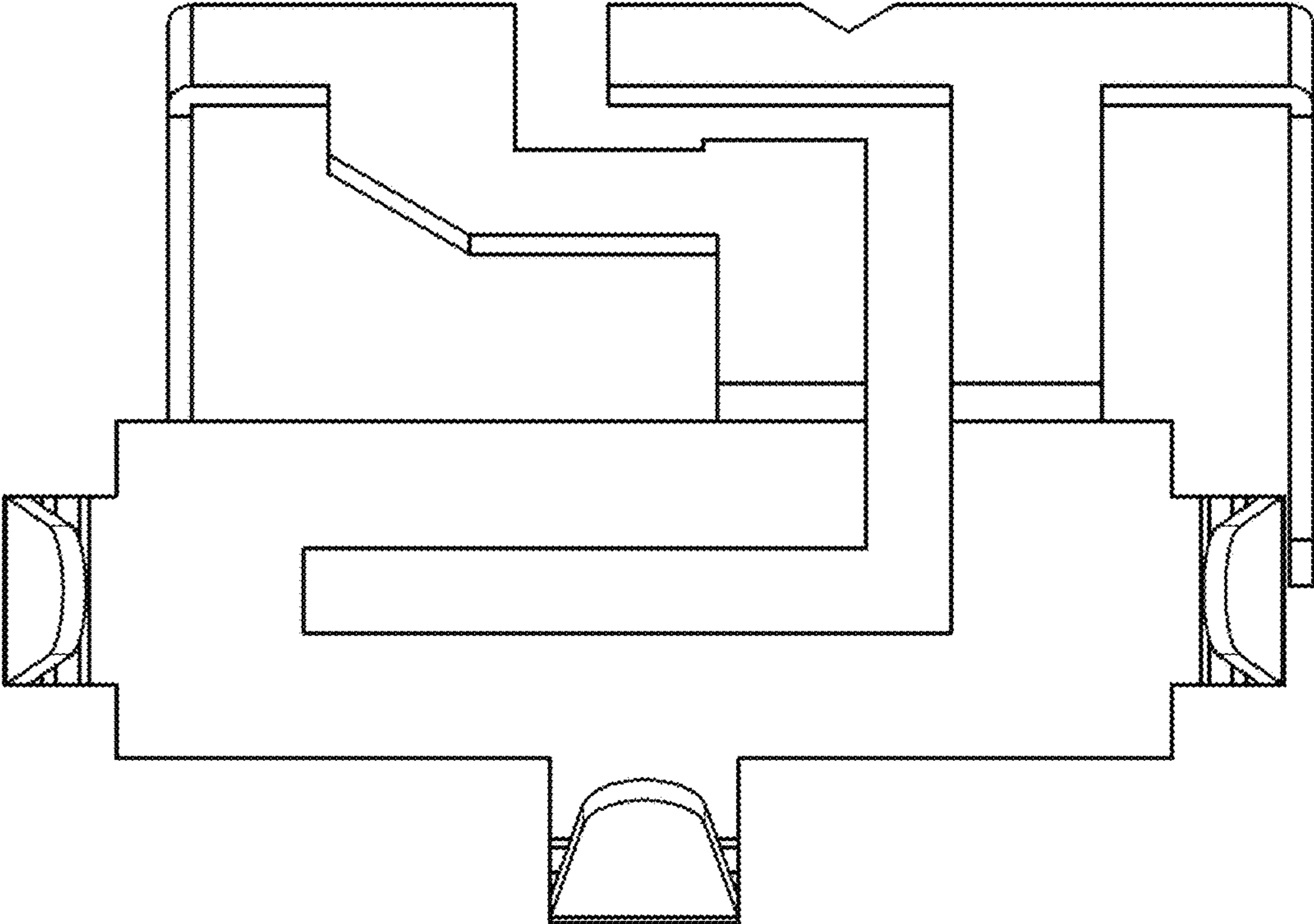


FIG. 4

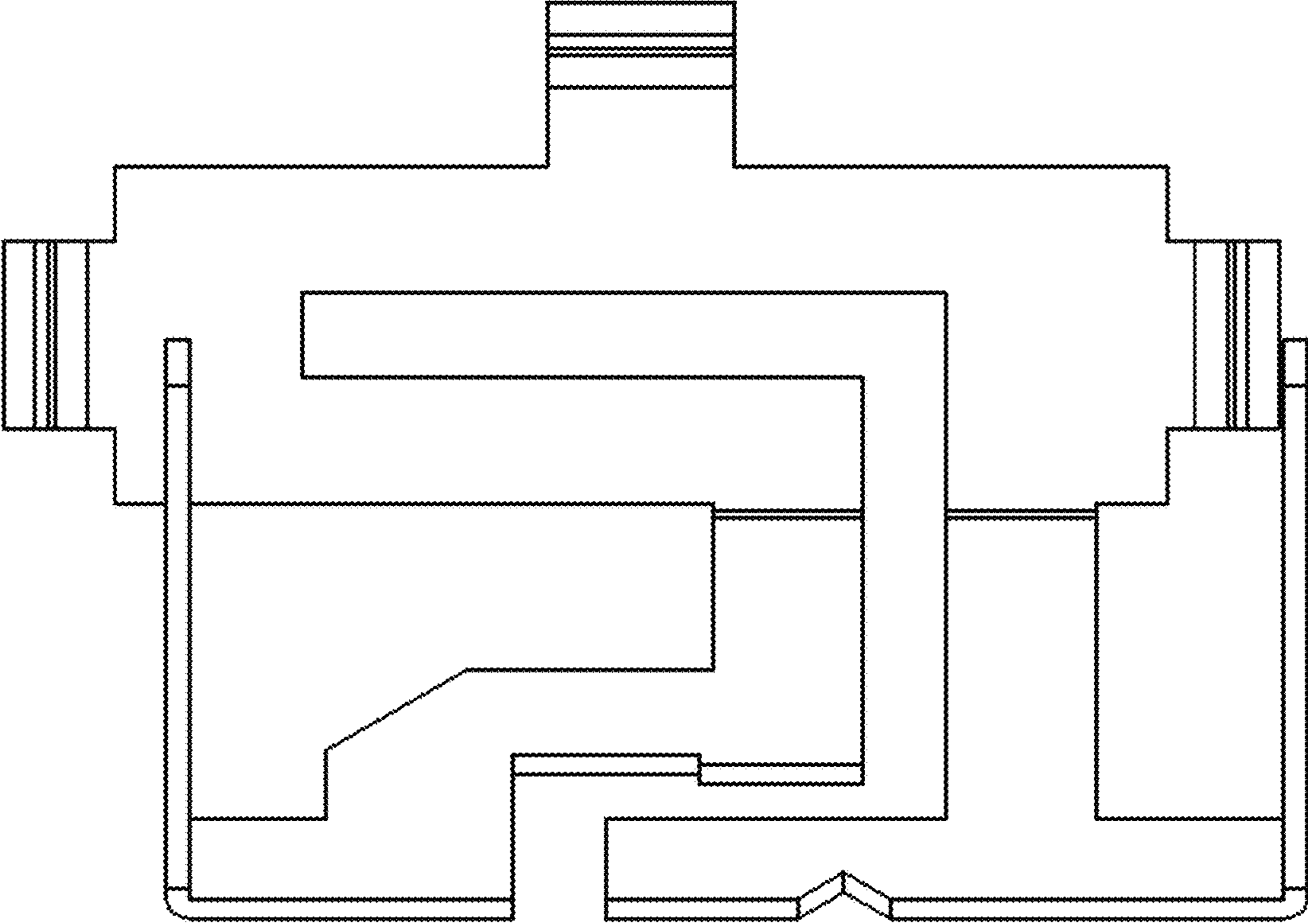
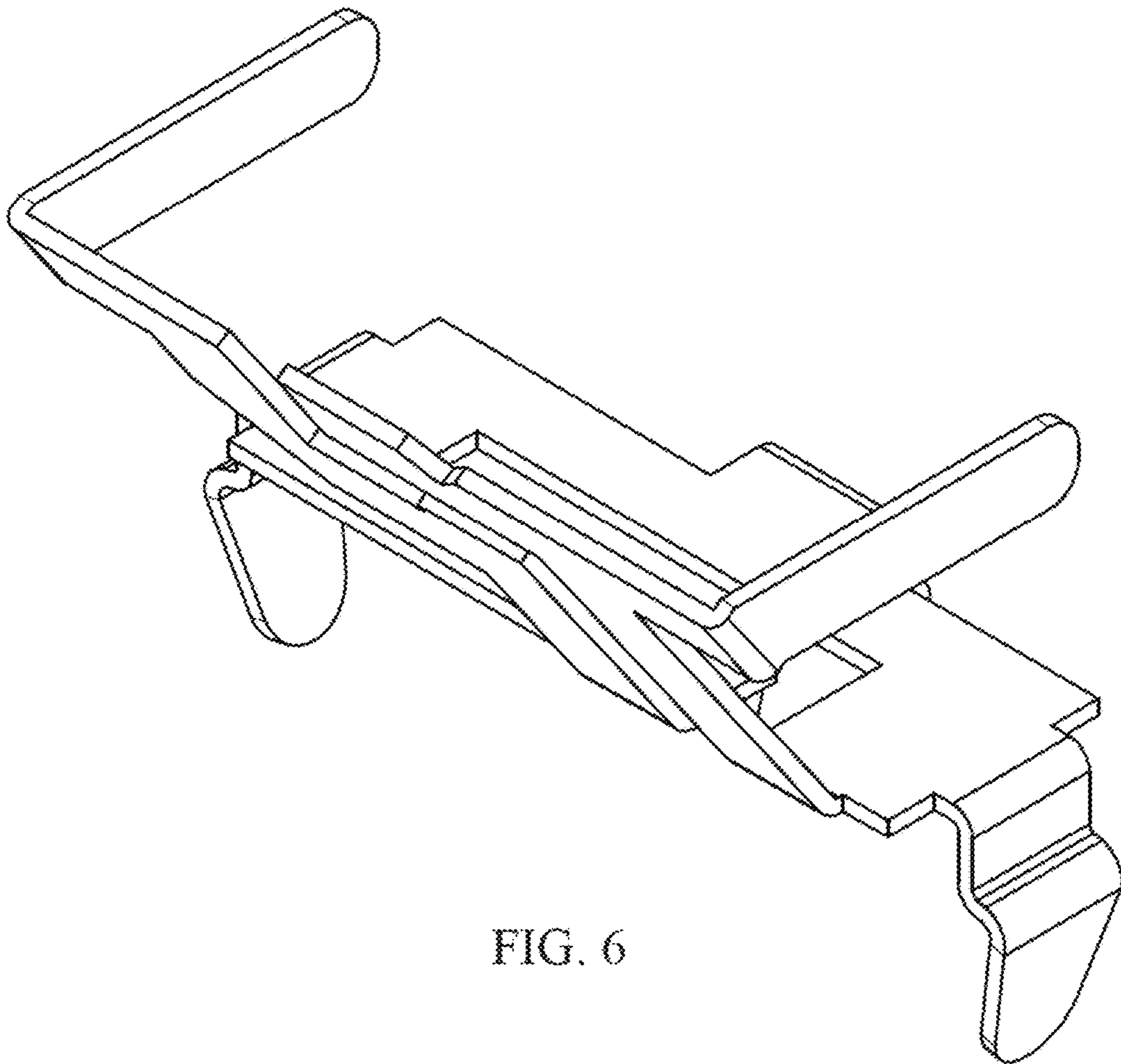


FIG. 5



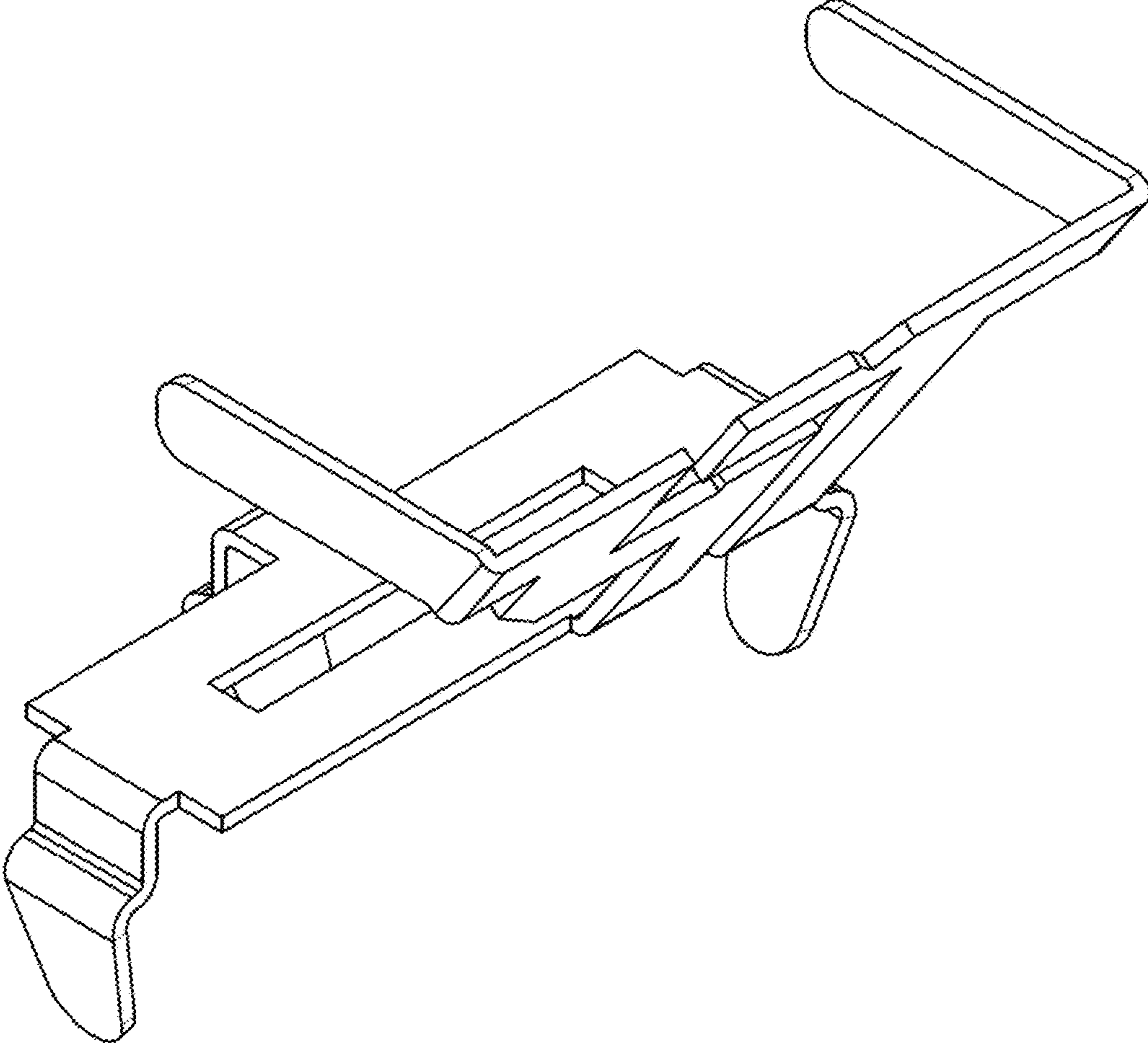


FIG. 7

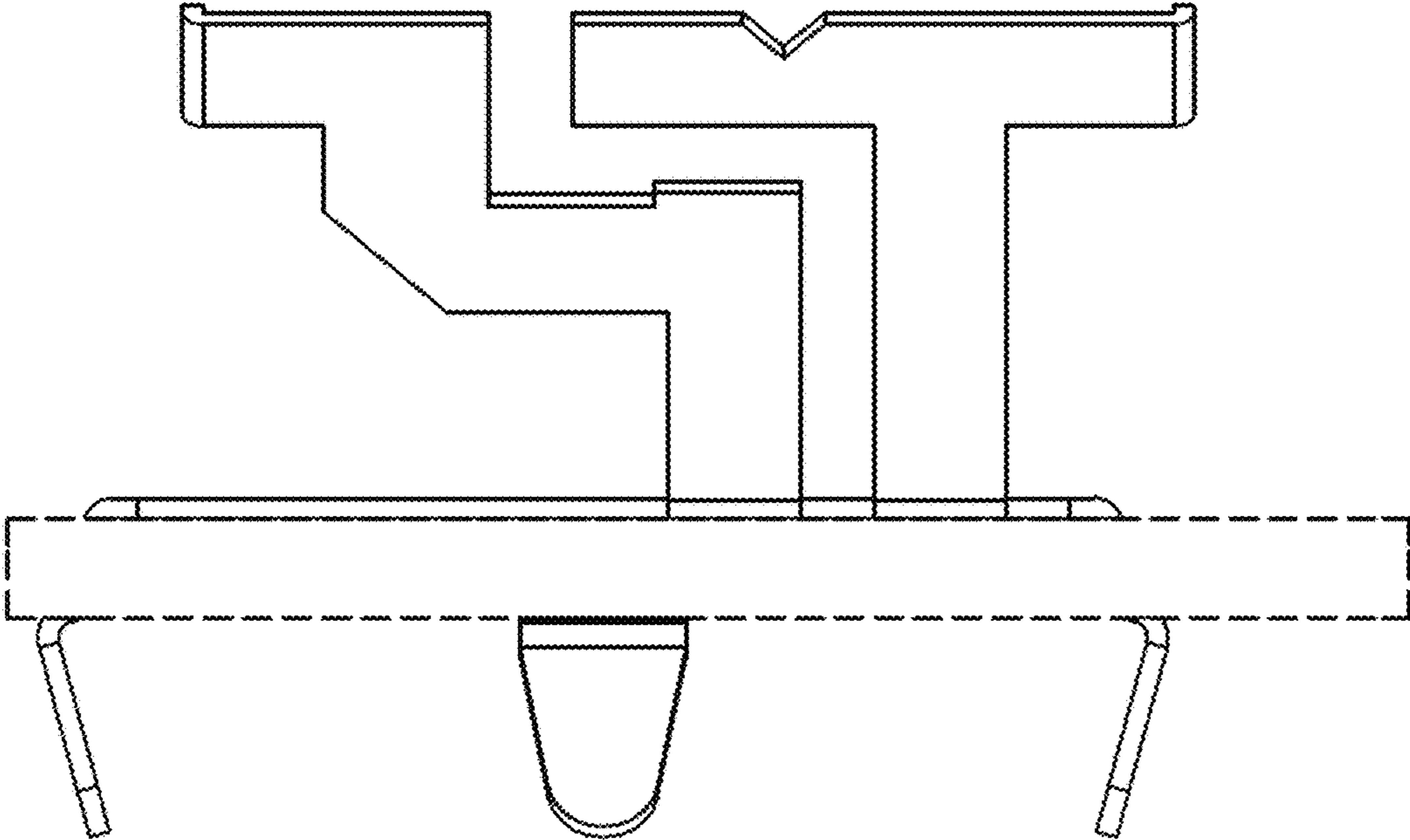


FIG. 8

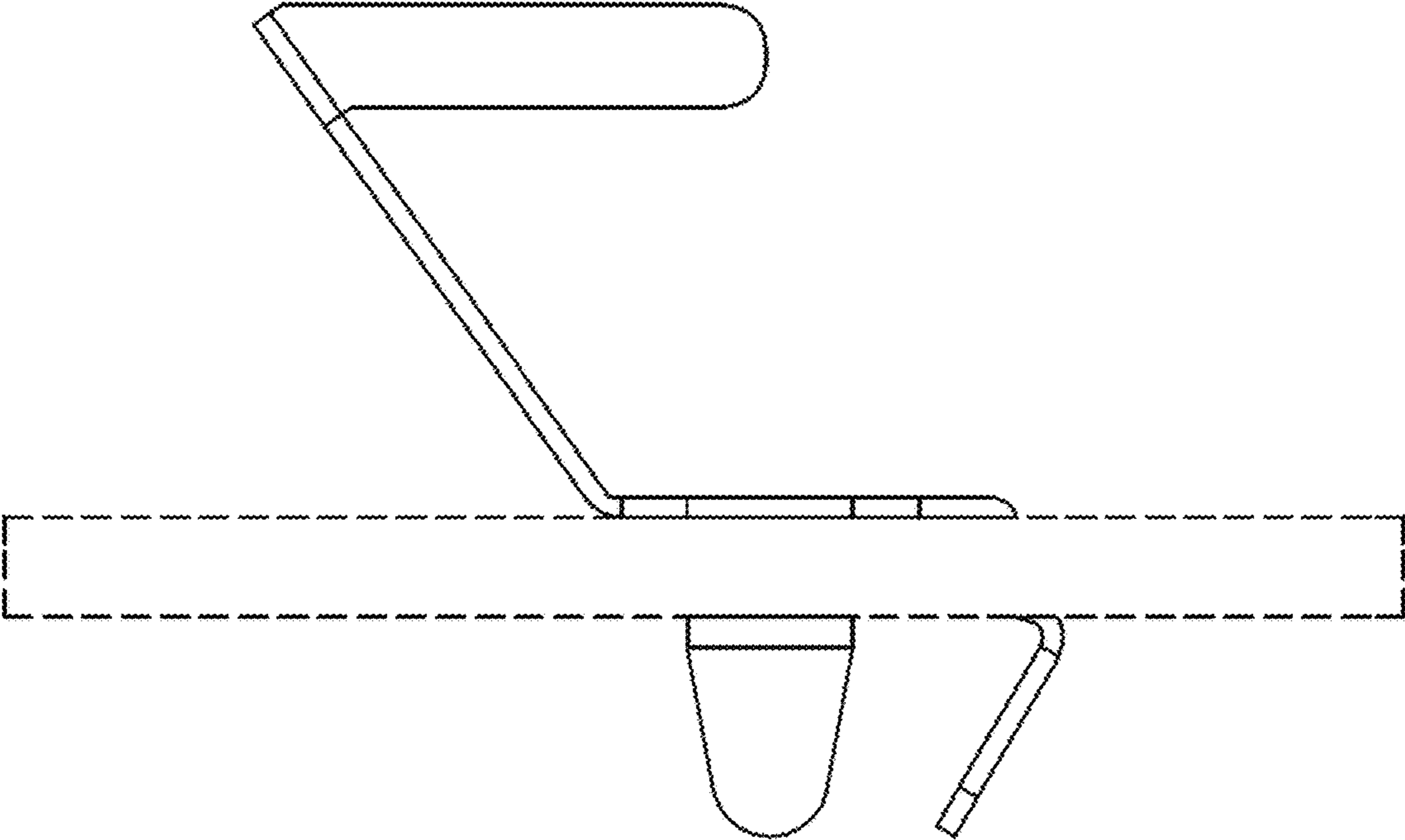


FIG. 9

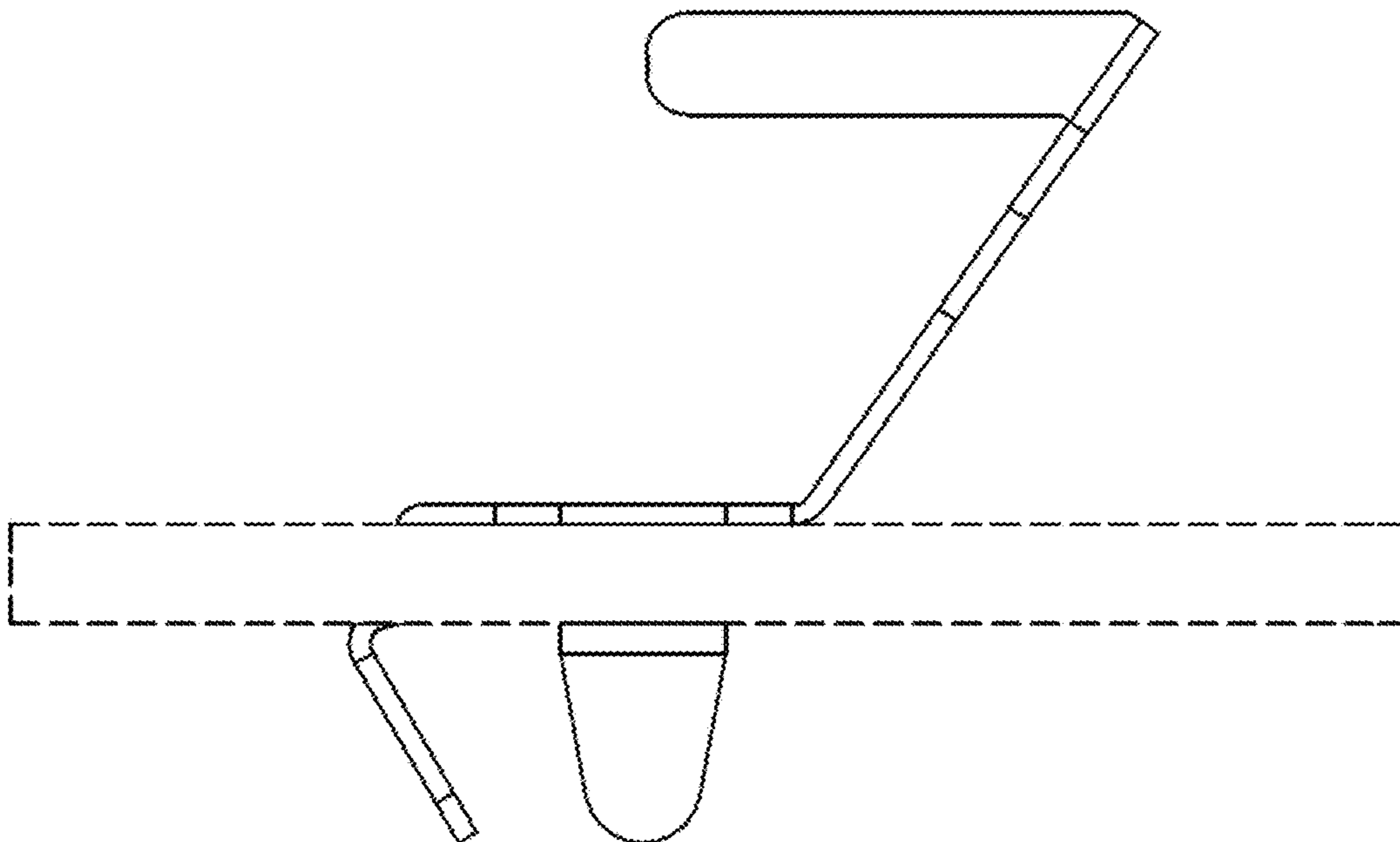


FIG. 10

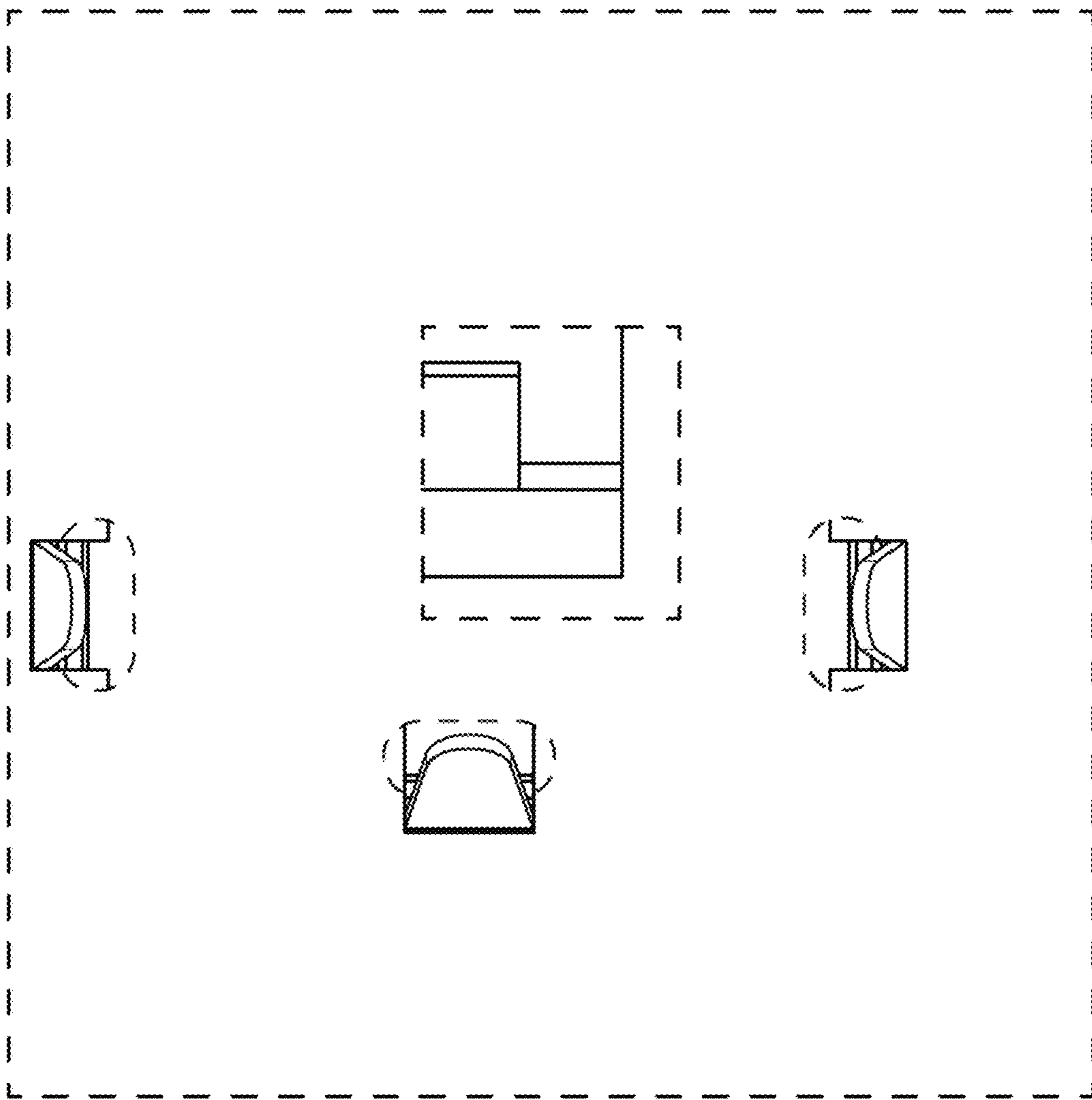


FIG. 11

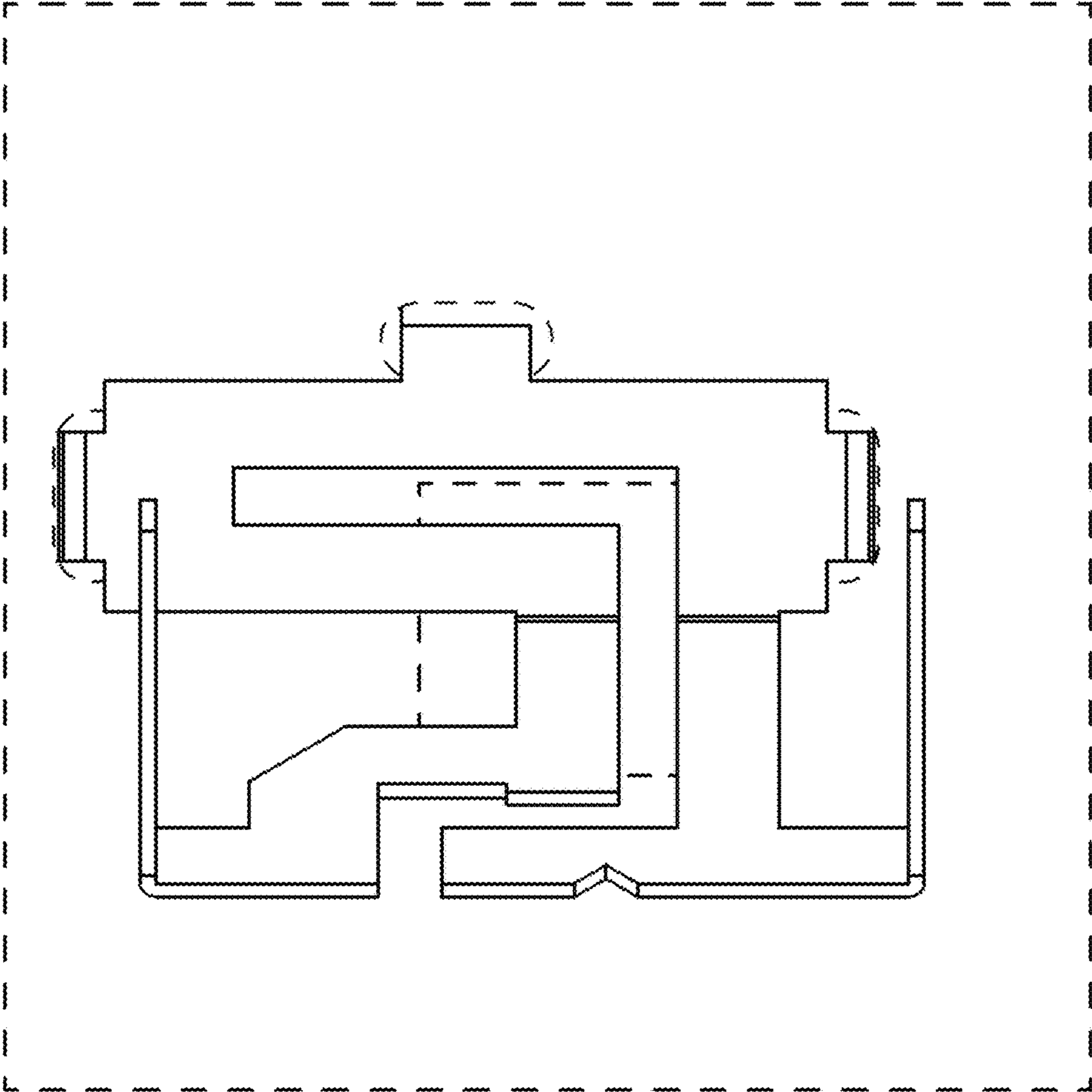


FIG. 12

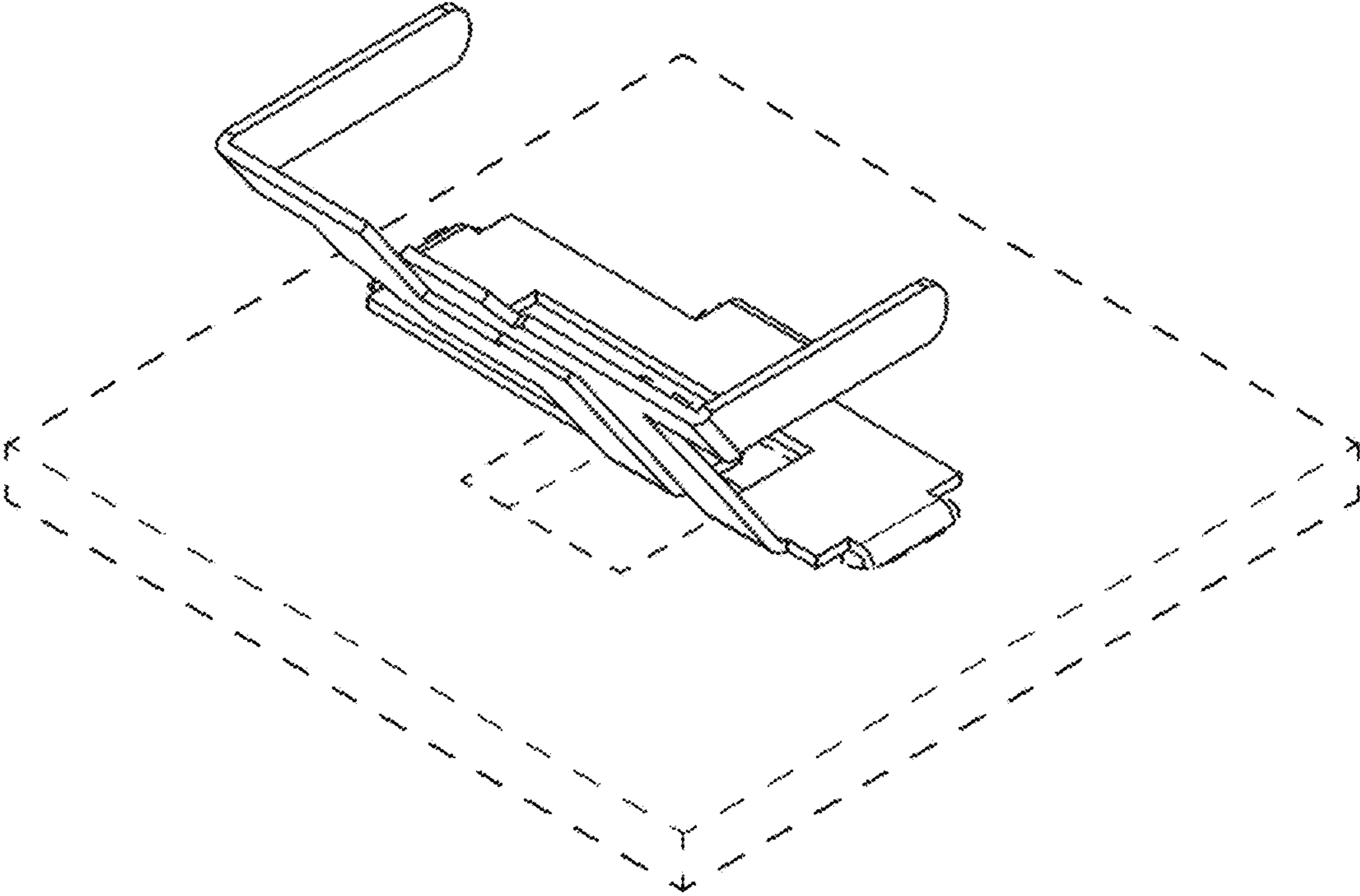


FIG. 13

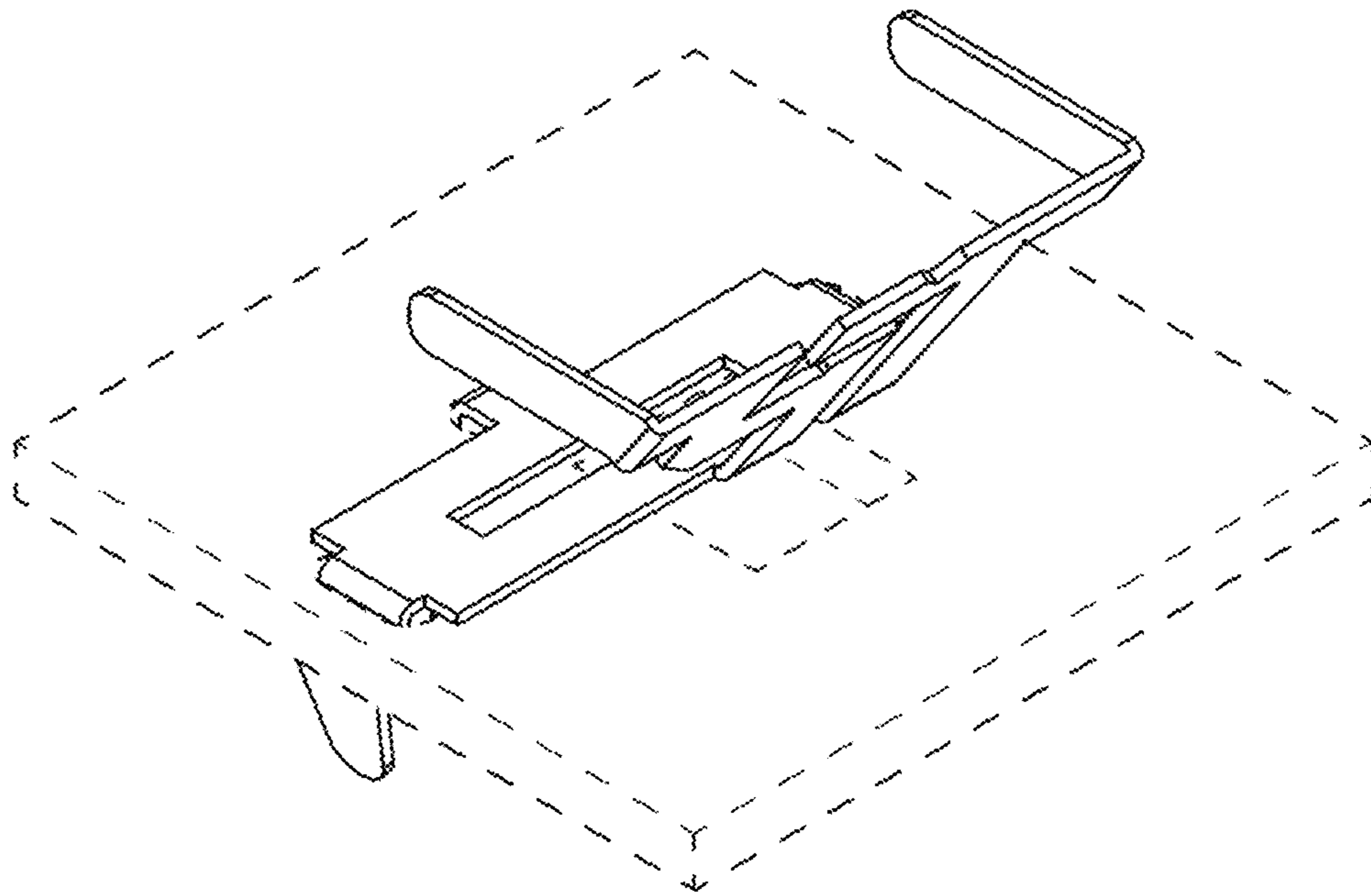


FIG. 14