



US00D793370S

(12) **United States Design Patent**
Zhou

(10) **Patent No.:** **US D793,370 S**

(45) **Date of Patent:** **** Aug. 1, 2017**

- (54) **WIRELESS HEADSET**
- (71) Applicant: **Shenzhen Qintong Technology Limited**, Shenzhen, Guangdong (CN)
- (72) Inventor: **Shengling Zhou**, Guangdong (CN)
- (73) Assignee: **Shenzhen Qintong Technology Limited**, Shenzhen (CN)
- (**) Term: **15 Years**
- (21) Appl. No.: **29/555,458**
- (22) Filed: **Feb. 22, 2016**
- (51) **LOC (10) Cl.** **14-01**
- (52) **U.S. Cl.**
USPC **D14/223**
- (58) **Field of Classification Search**
USPC D14/223, 189, 190; D19/140, 141; D11/153, 150, 160, 157; D26/18; D21/352, 361, 384, 587, 659, 630, 632, D21/633, 593, 594, 622; 181/129, 130, 181/135; 379/430, 431; 381/380, 381
CPC H04R 1/10; H04R 1/105; H04R 5/0335; H04R 5/033; H04R 1/1016
See application file for complete search history.

(56) **References Cited**

U.S. PATENT DOCUMENTS

- 732,806 A * 7/1903 Wolfert G09F 13/00
362/806
- 764,207 A * 7/1904 Robinson F21L 19/00
362/806
- 1,340,512 A * 5/1920 Wild A63F 9/1011
101/372
- D73,752 S * 11/1927 Marks D21/406
- D121,024 S * 6/1940 Tang D11/89

- 2,711,541 A * 6/1955 Bellett A41G 7/02
2/206
- D176,869 S * 2/1956 Ksenak D11/160
- 2,914,772 A * 12/1959 Lemelson A41G 7/00
2/206
- D199,623 S * 11/1964 Lowrey D11/55
- 3,186,125 A * 6/1965 Orel A63H 13/005
446/269
- 3,250,910 A * 5/1966 Authier F21V 3/023
40/540

(Continued)

Primary Examiner — Paula Greene

(74) *Attorney, Agent, or Firm* — Michael Best & Friedrich LLP

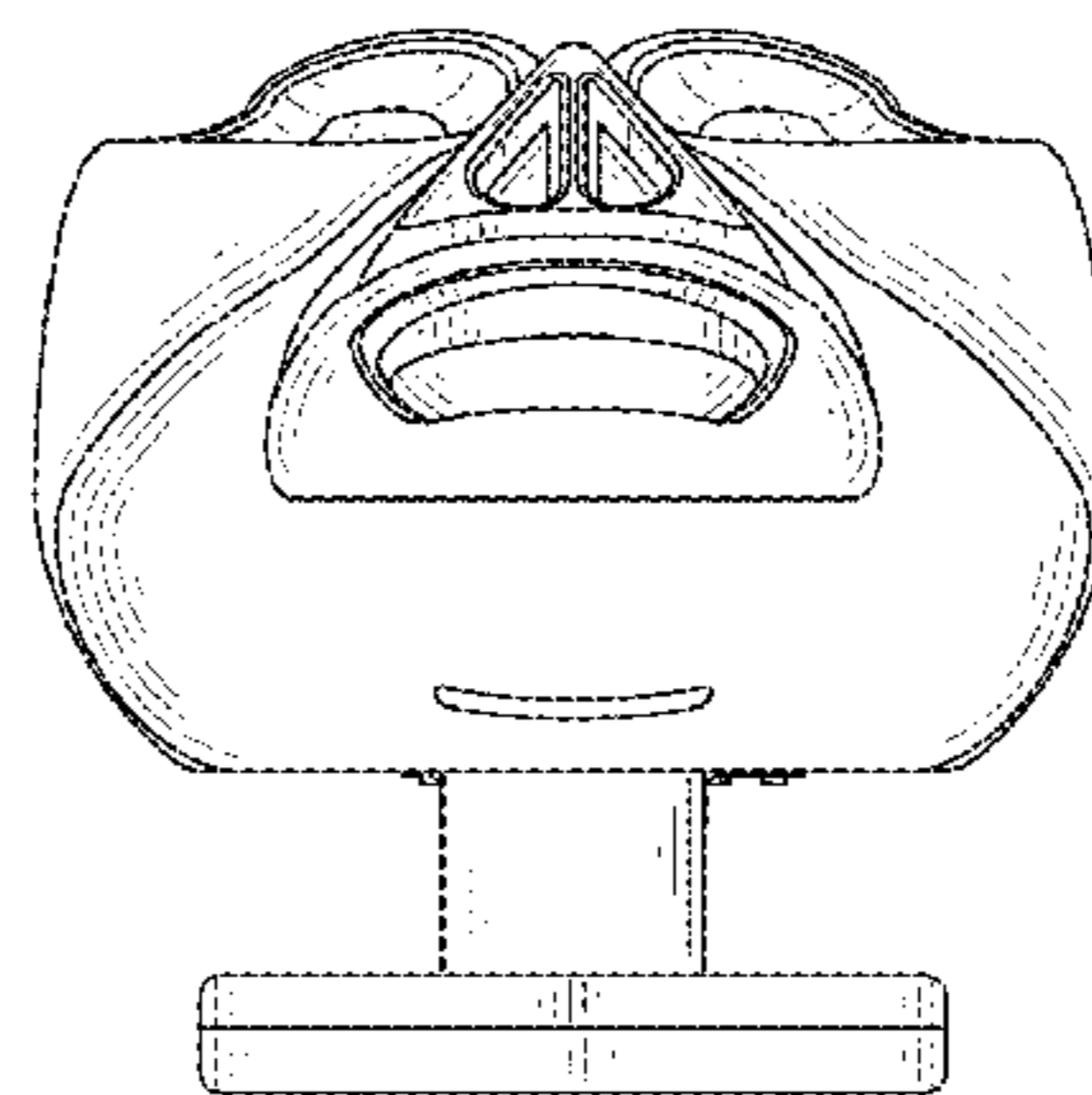
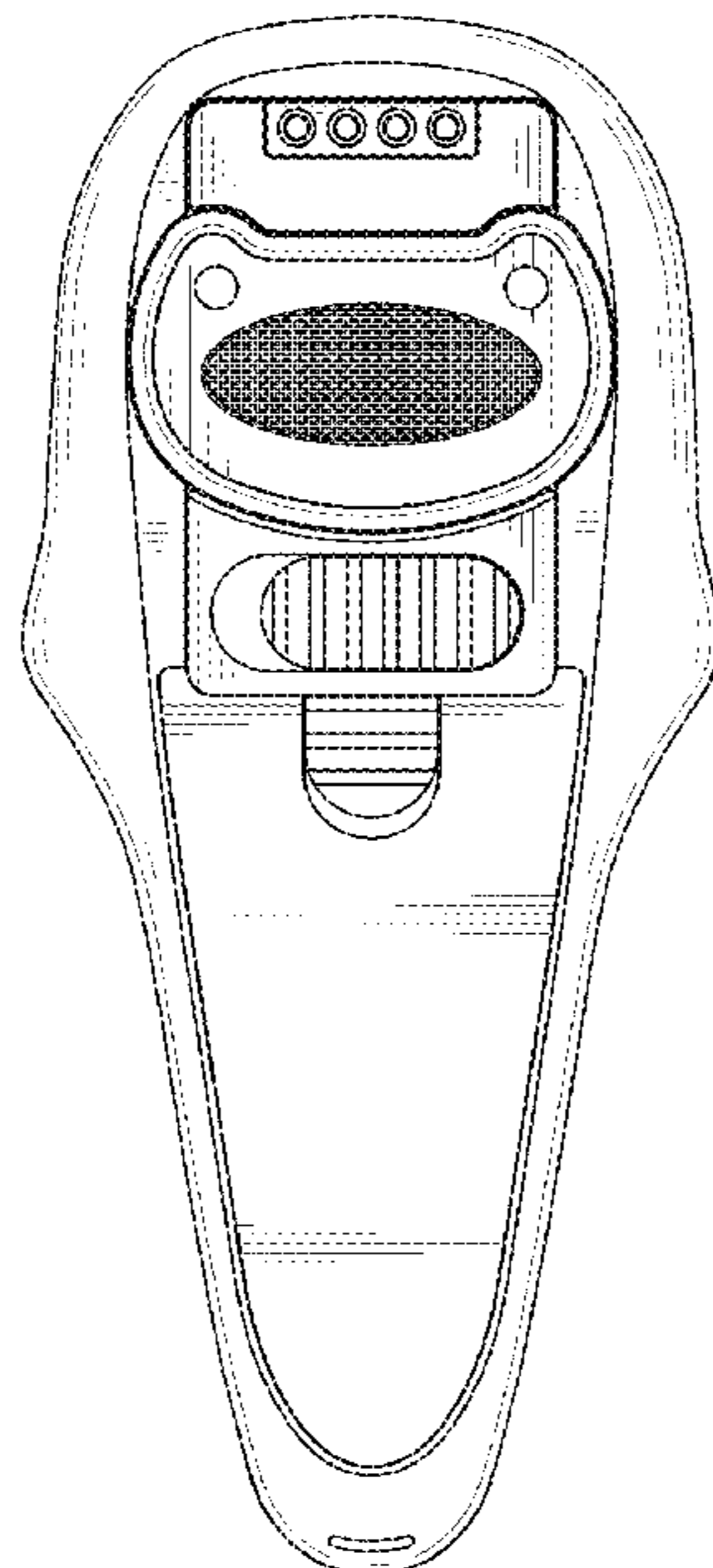
(57) **CLAIM**

The ornamental design for wireless headset, as shown and described.

DESCRIPTION

FIG. 1 is a front view of a wireless headset.
 FIG. 2 is a rear view of the wireless headset of FIG. 1.
 FIG. 3 is a left side view of the wireless headset of FIG. 1.
 FIG. 4 is a right side view of the wireless headset of FIG. 1.
 FIG. 5 is a bottom view of the wireless headset of FIG. 1.
 FIG. 6 is a top view of the wireless headset of FIG. 1.
 FIG. 7 is a perspective view of the wireless headset of FIG. 1.
 FIG. 8 is a front view of a wireless headset.
 FIG. 9 is a rear view of the wireless headset of FIG. 8.
 FIG. 10 is a left side view of the wireless headset of FIG. 8.
 FIG. 11 is a right side view of the wireless headset of FIG. 8.
 FIG. 12 is a bottom view of the wireless headset of FIG. 8.
 FIG. 13 is a top view of the wireless headset of FIG. 8; and,
 FIG. 14 is a perspective view of the wireless headset of FIG. 8.

1 Claim, 14 Drawing Sheets



(56)

References Cited

U.S. PATENT DOCUMENTS

D221,008 S *	6/1971	Irons	D21/725	D460,572 S *	7/2002	Lee	D11/121
3,624,939 A *	12/1971	Gossard		D464,288 S *	10/2002	Wichter	D11/121
3,822,170 A *	7/1974	Smolen	F21V 3/023 362/351	D483,905 S *	12/2003	Berounsky	D11/128
D291,197 S *	8/1987	LaLanne	D14/205	D492,667 S	7/2004	Skulley et al.	
4,917,504 A	4/1990	Scott et al.		D512,049 S *	11/2005	Yang	D14/205
D309,306 S	7/1990	Weiser et al.		D512,991 S *	12/2005	Yano	D14/223
4,950,194 A *	8/1990	Gullace	A63H 3/02 428/17	D522,071 S *	5/2006	Strother	D21/578
D311,074 S	10/1990	Scott et al.		7,089,042 B2	8/2006	Bodley	
D317,610 S *	6/1991	Jahnke	D14/205	D541,189 S *	4/2007	O'Connell	D11/125
D333,281 S *	2/1993	Mankey	428/3	D559,084 S *	1/2008	Foxx	D8/356
5,215,493 A *	6/1993	Zgrodek	A63H 3/365 428/16	D566,099 S *	4/2008	Komiyama	D14/206
D340,073 S	10/1993	Turner		D568,301 S *	5/2008	Kim	D14/205
5,285,530 A	2/1994	Nardone, Jr		D568,876 S *	5/2008	Tsai	D14/223
D346,882 S	5/1994	Bryerton, Sr.		D573,140 S *	7/2008	Tsai	D14/205
D349,726 S *	8/1994	Radmilovic	D19/141	D589,956 S *	4/2009	Barker	D14/480.2
D357,921 S *	5/1995	Ming-Chin	D14/223	D597,084 S	7/2009	Gondo	
D364,430 S *	11/1995	Kino	D17/22	D603,380 S *	11/2009	Hutchieson	D14/223
D385,157 S *	10/1997	Fillipp	D11/121	D626,117 S *	10/2010	Lowry	D14/223
D388,360 S *	12/1997	Shaw	D11/121	D651,195 S	12/2011	Quek	
D394,417 S *	5/1998	Bezanis	D11/131	D653,244 S *	1/2012	Birger	D14/223
5,862,615 A *	1/1999	O'Rourke	A44C 3/001 40/1.6	D653,649 S	2/2012	Yang et al.	
D407,089 S	3/1999	Norin		8,111,861 B2	2/2012	Lowry	
D419,058 S	1/2000	Roth et al.		D662,493 S *	6/2012	Chen	D14/223
D419,910 S *	2/2000	Shaw	D11/121	D662,915 S	7/2012	Halkosaari et al.	
D423,400 S *	4/2000	Schnaithmann	D11/131	D666,581 S *	9/2012	Perez	D14/223
D444,415 S *	7/2001	Young	D11/160	D674,373 S	1/2013	Combs et al.	
				D681,013 S	4/2013	Massaro	
				D690,681 S	10/2013	Ito et al.	
				D695,276 S	12/2013	Chee	
				9,084,054 B2	7/2015	Prelogar et al.	
				D780,162 S *	2/2017	Kwak	D14/223
				2012/0277043 A1	11/2012	Rodrigues	
				2014/0220893 A1	8/2014	Zhou	

* cited by examiner

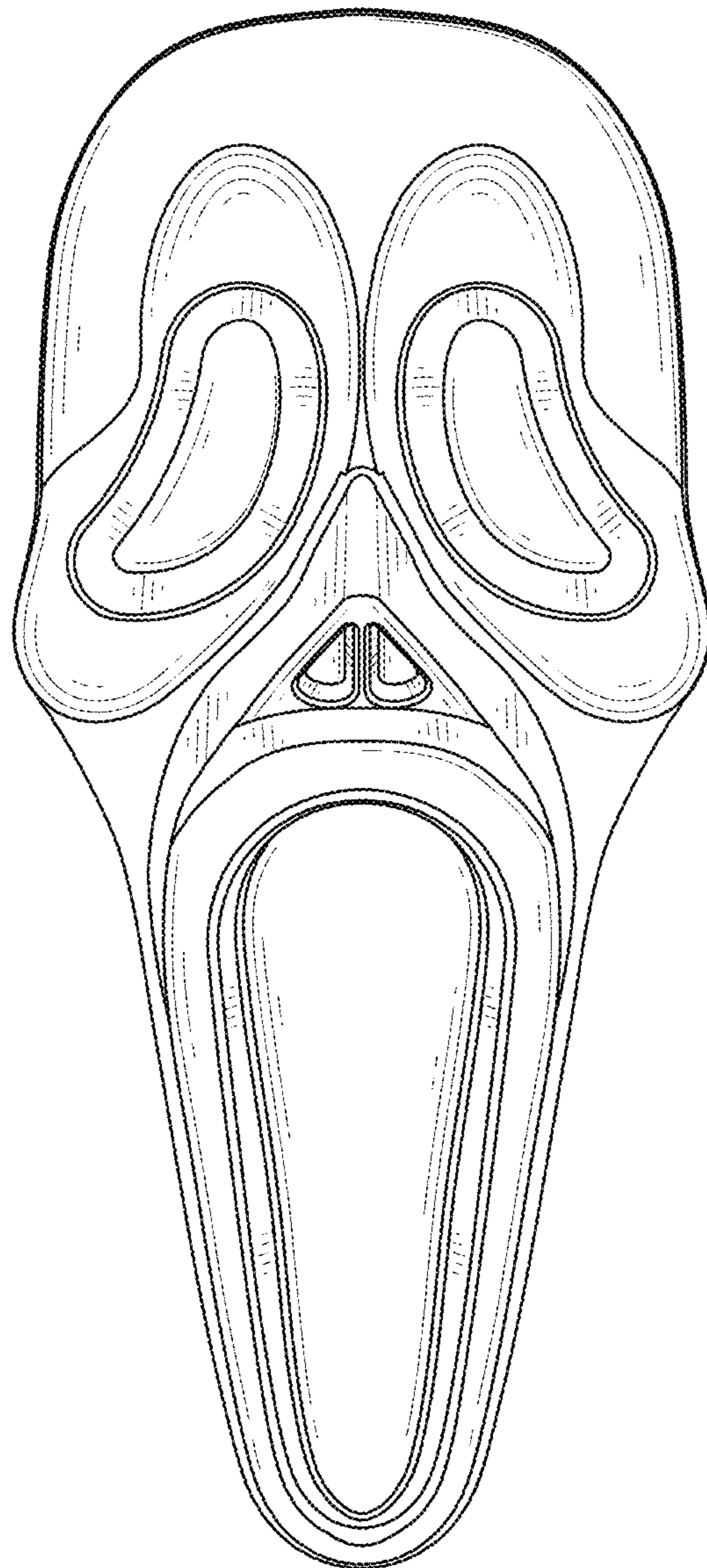


FIG. 1

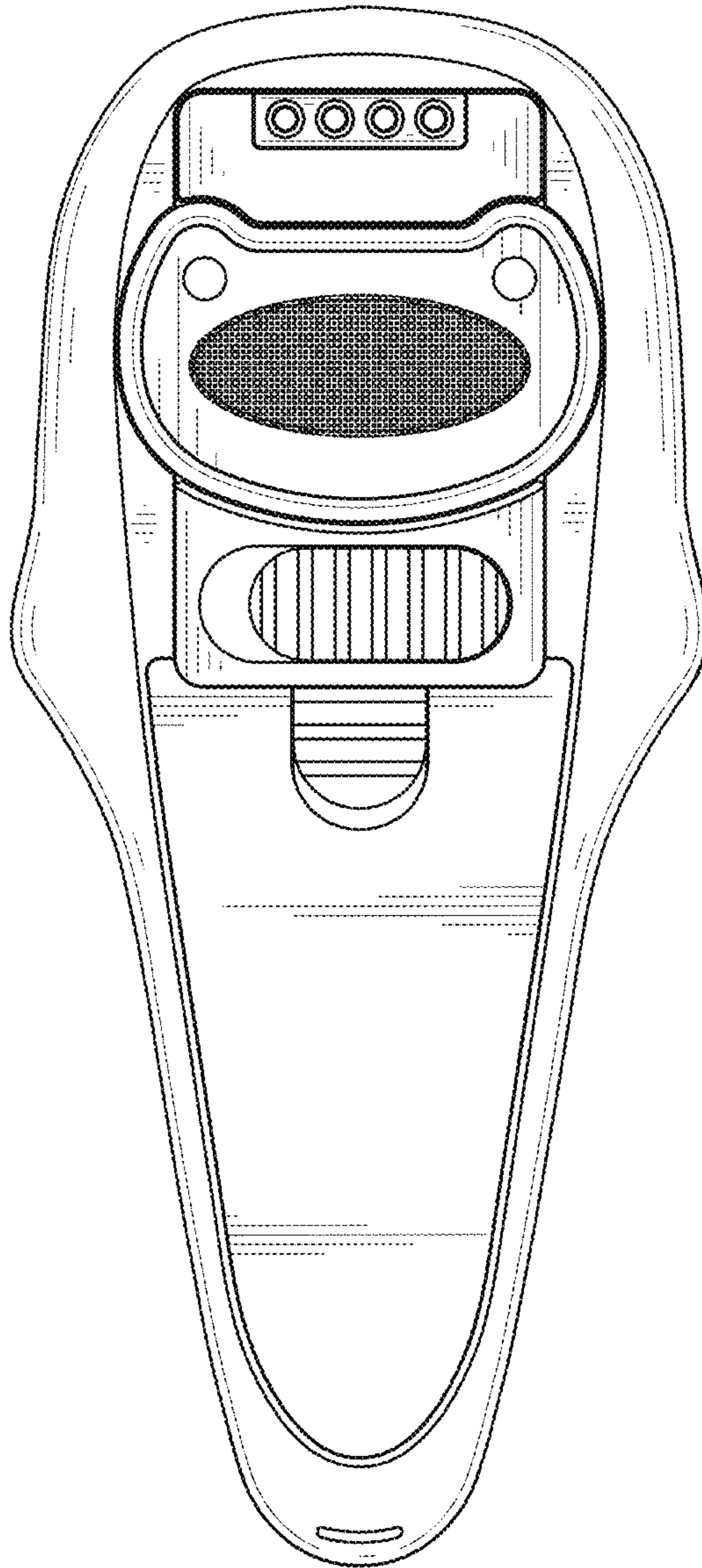


FIG. 2

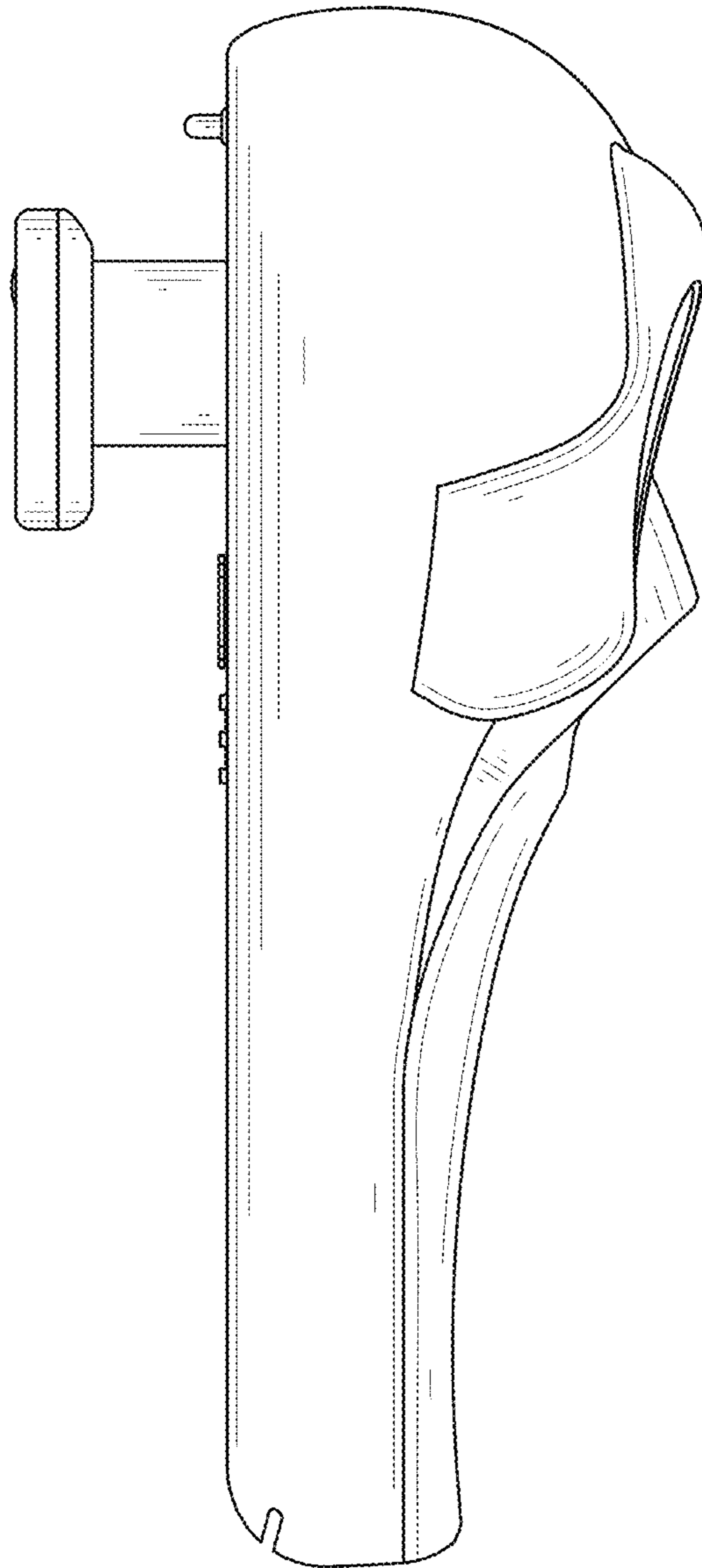


FIG. 3

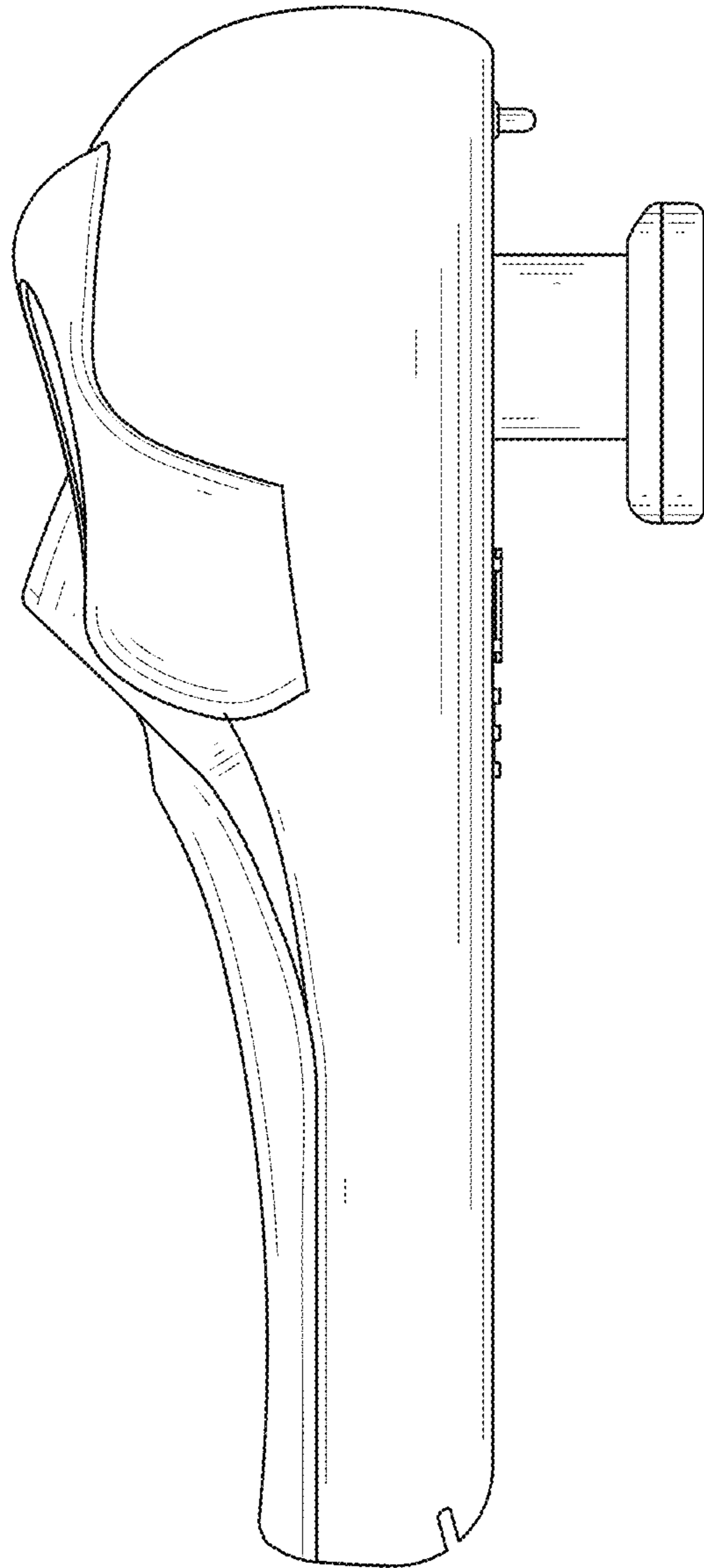


FIG. 4

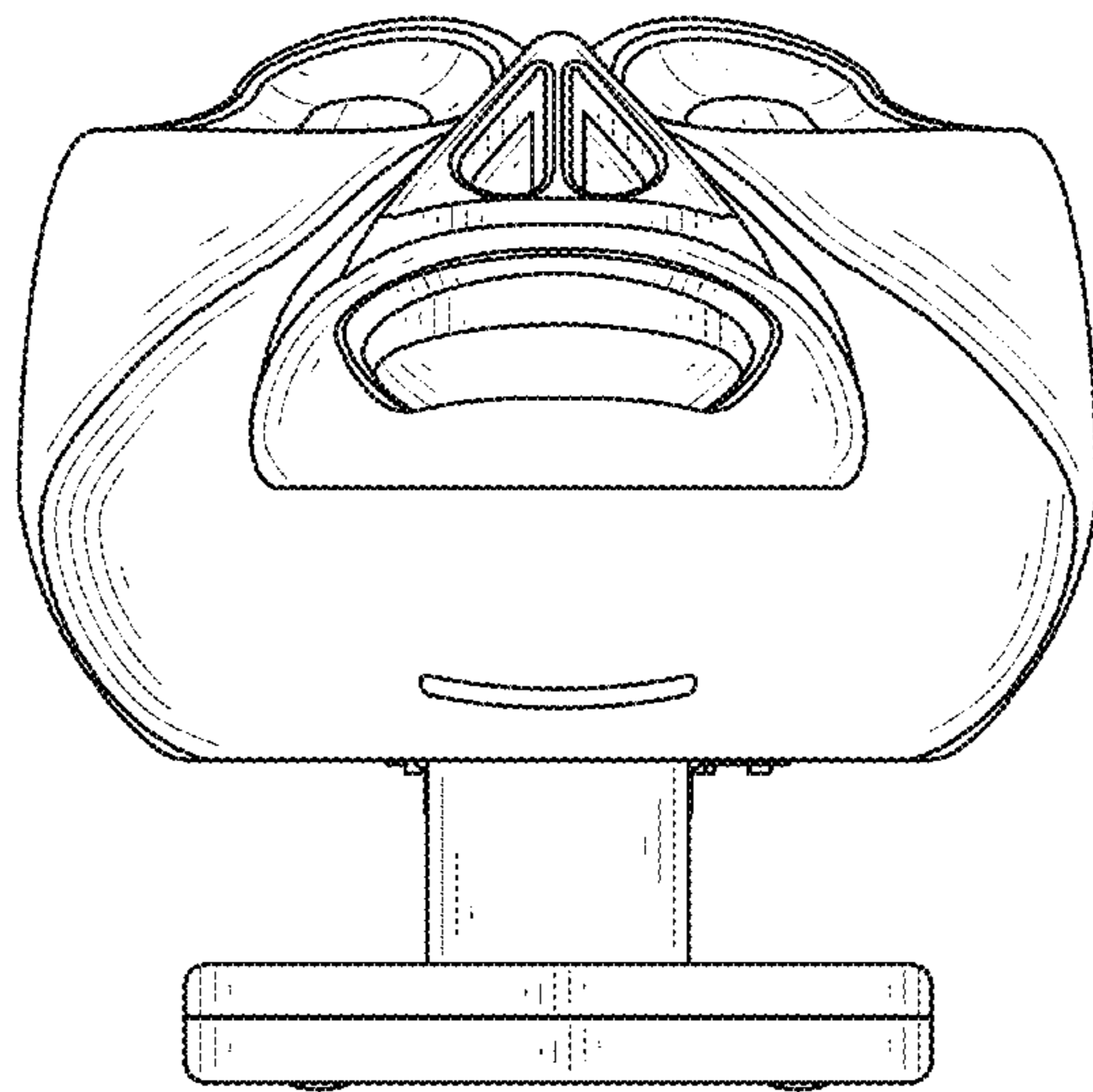


FIG. 5

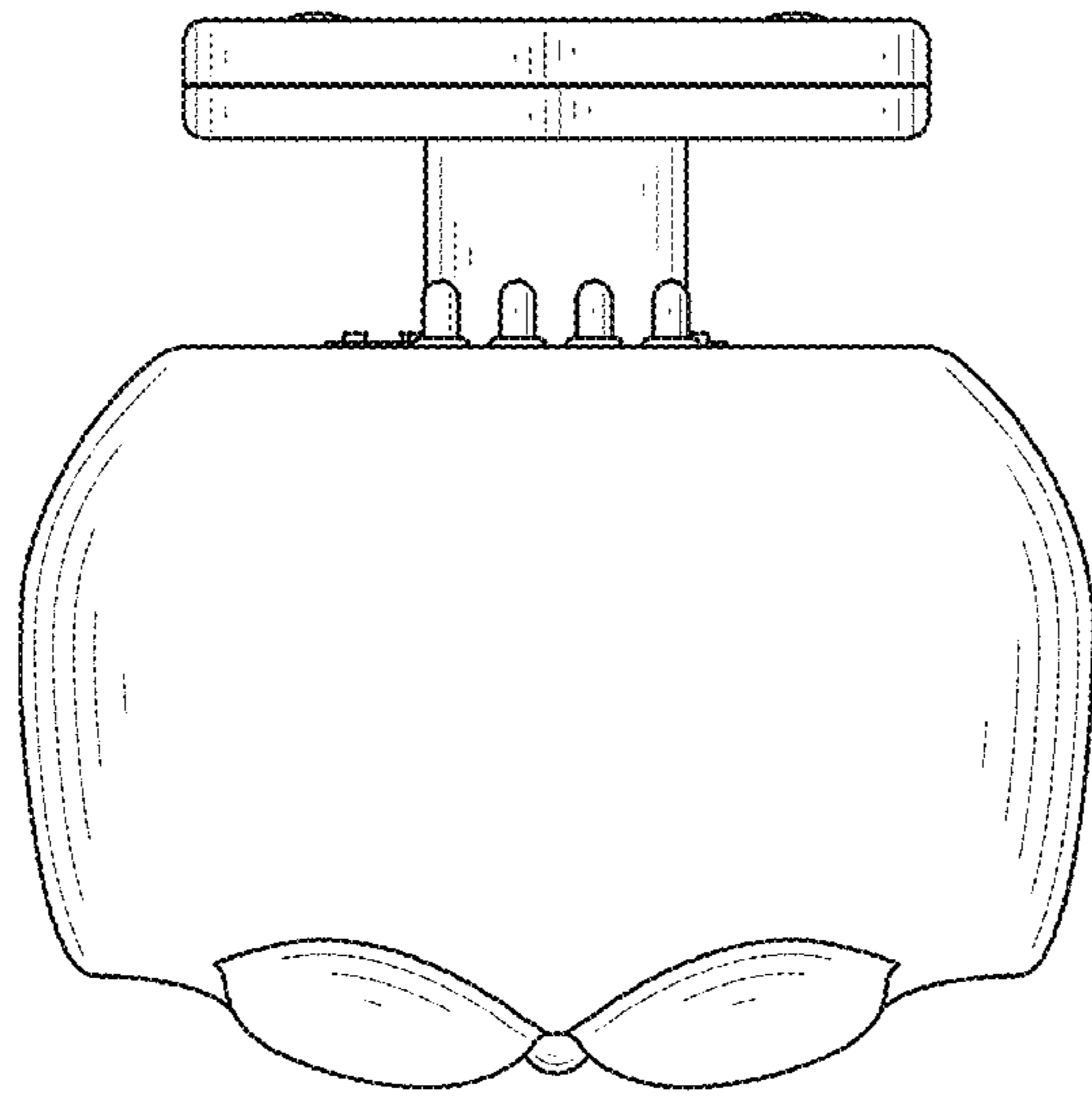


FIG. 6

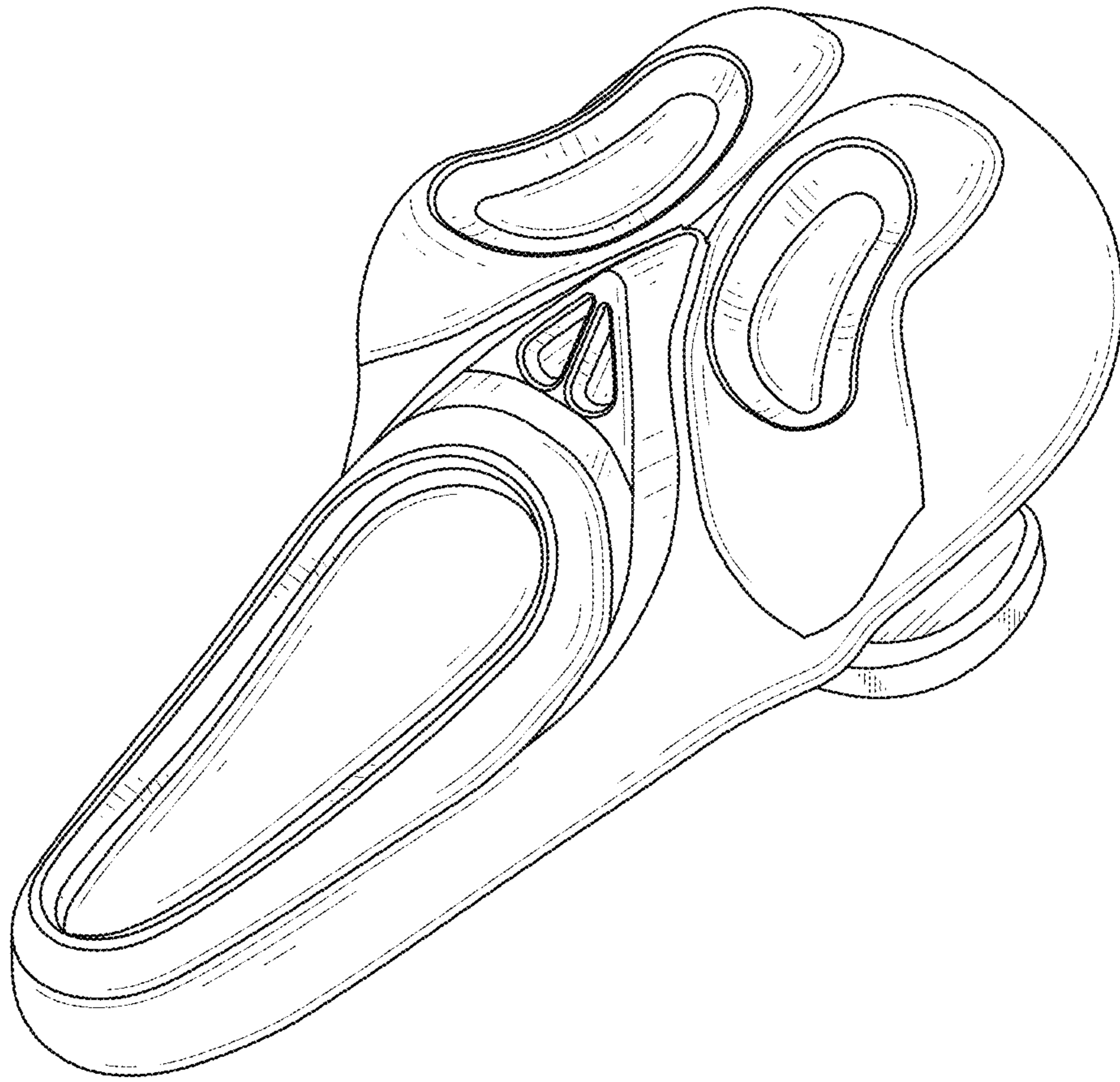


FIG. 7

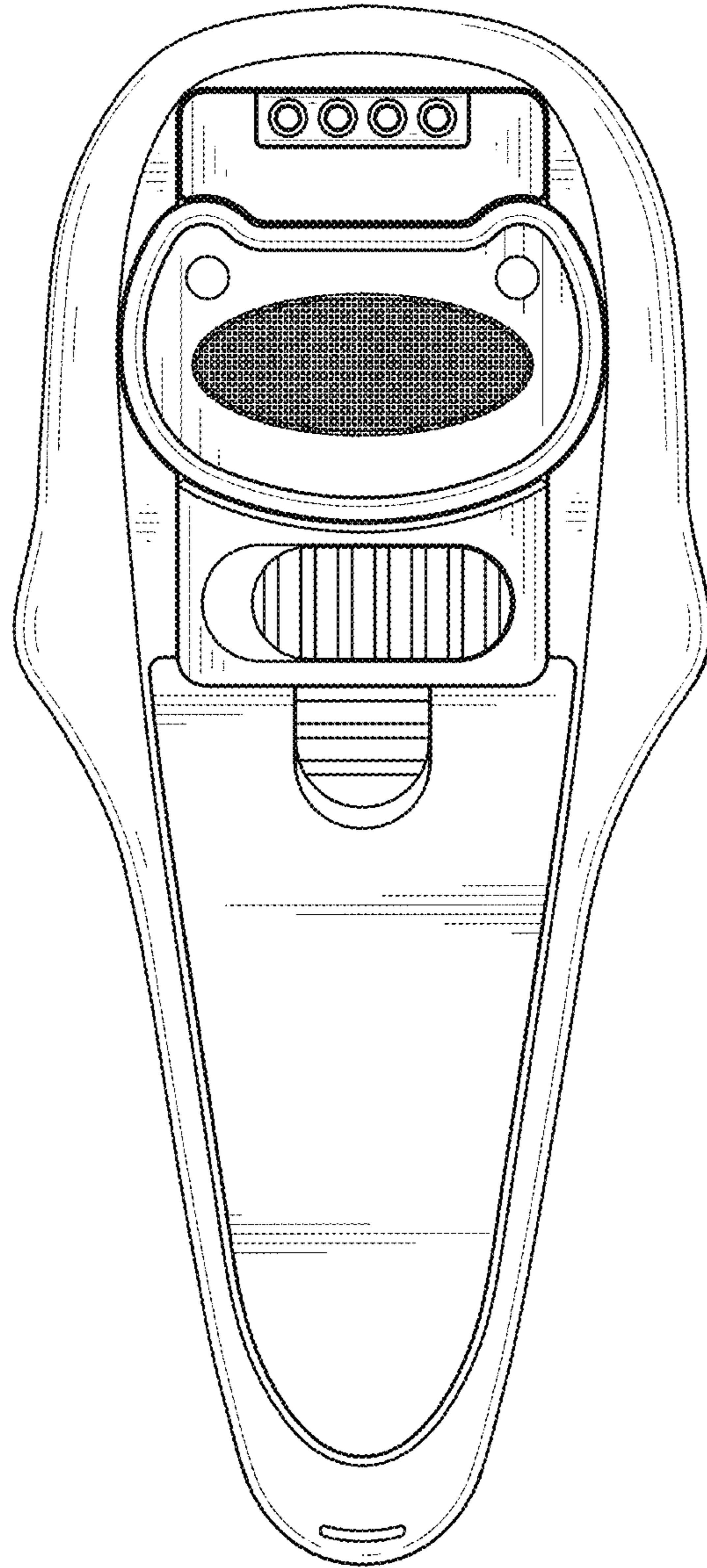


FIG. 8

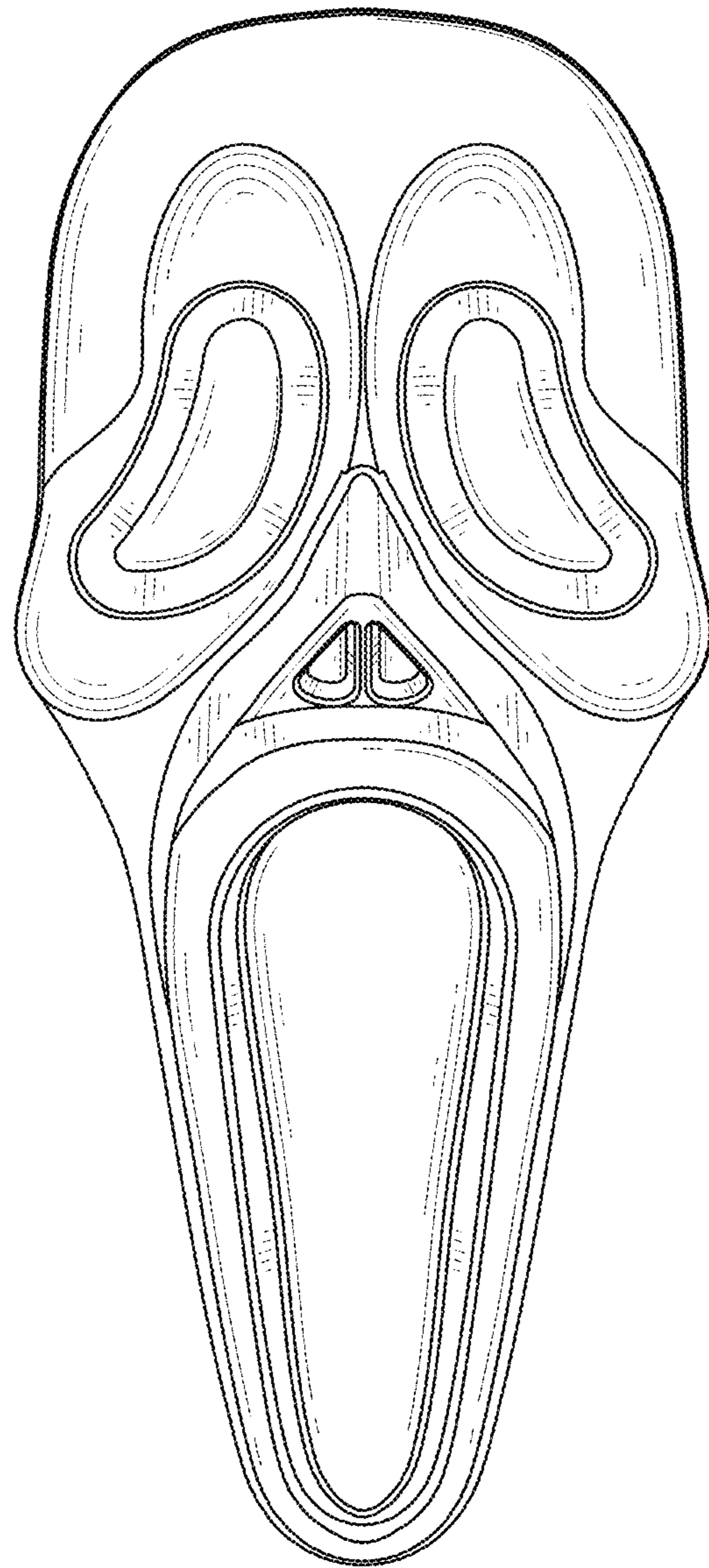


FIG. 9

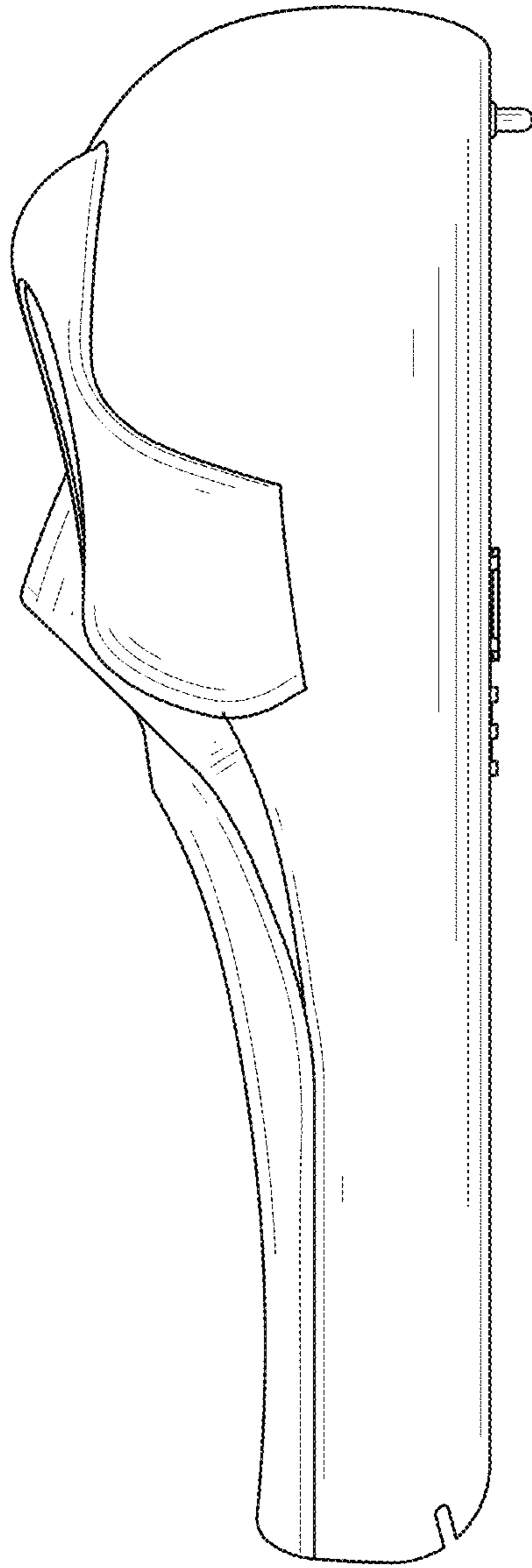


FIG. 10

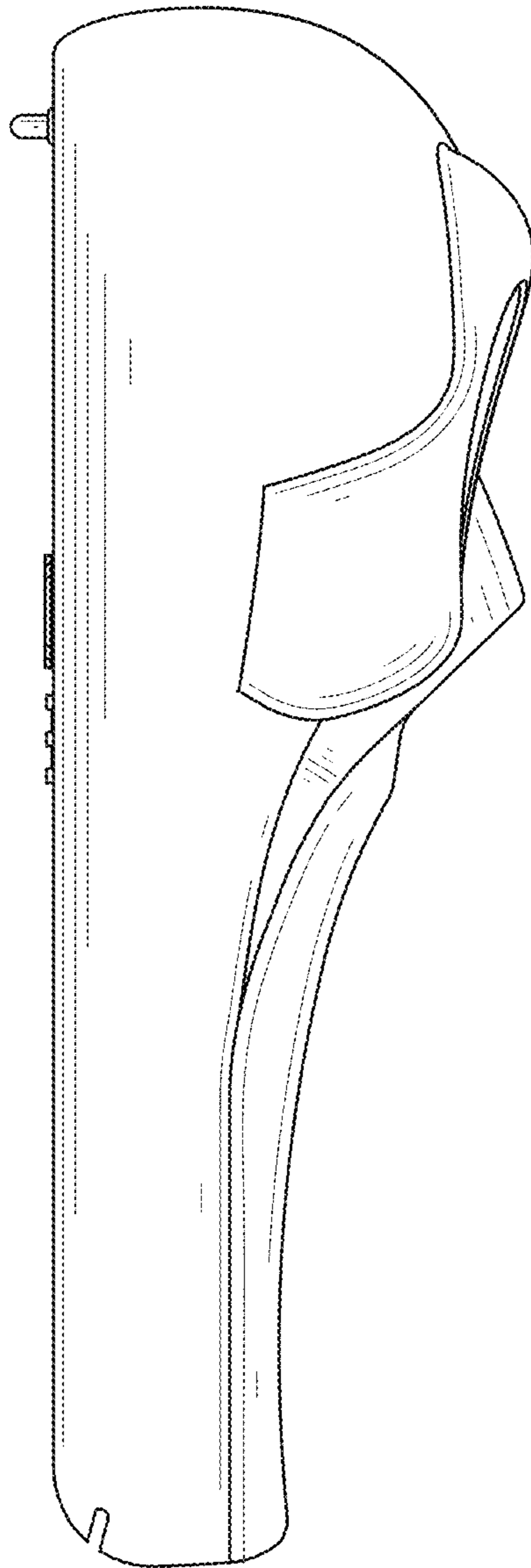


FIG. 11

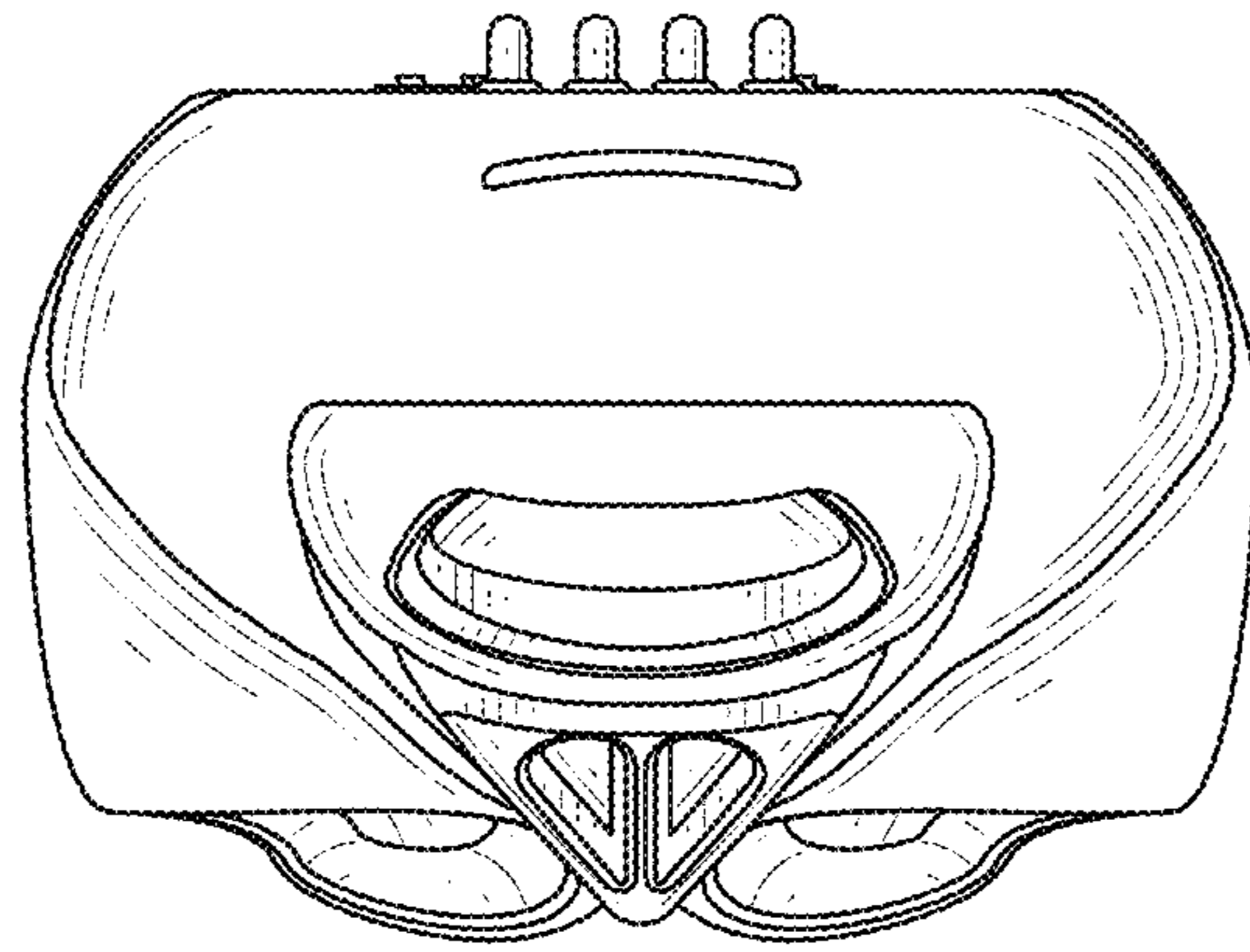


FIG. 12

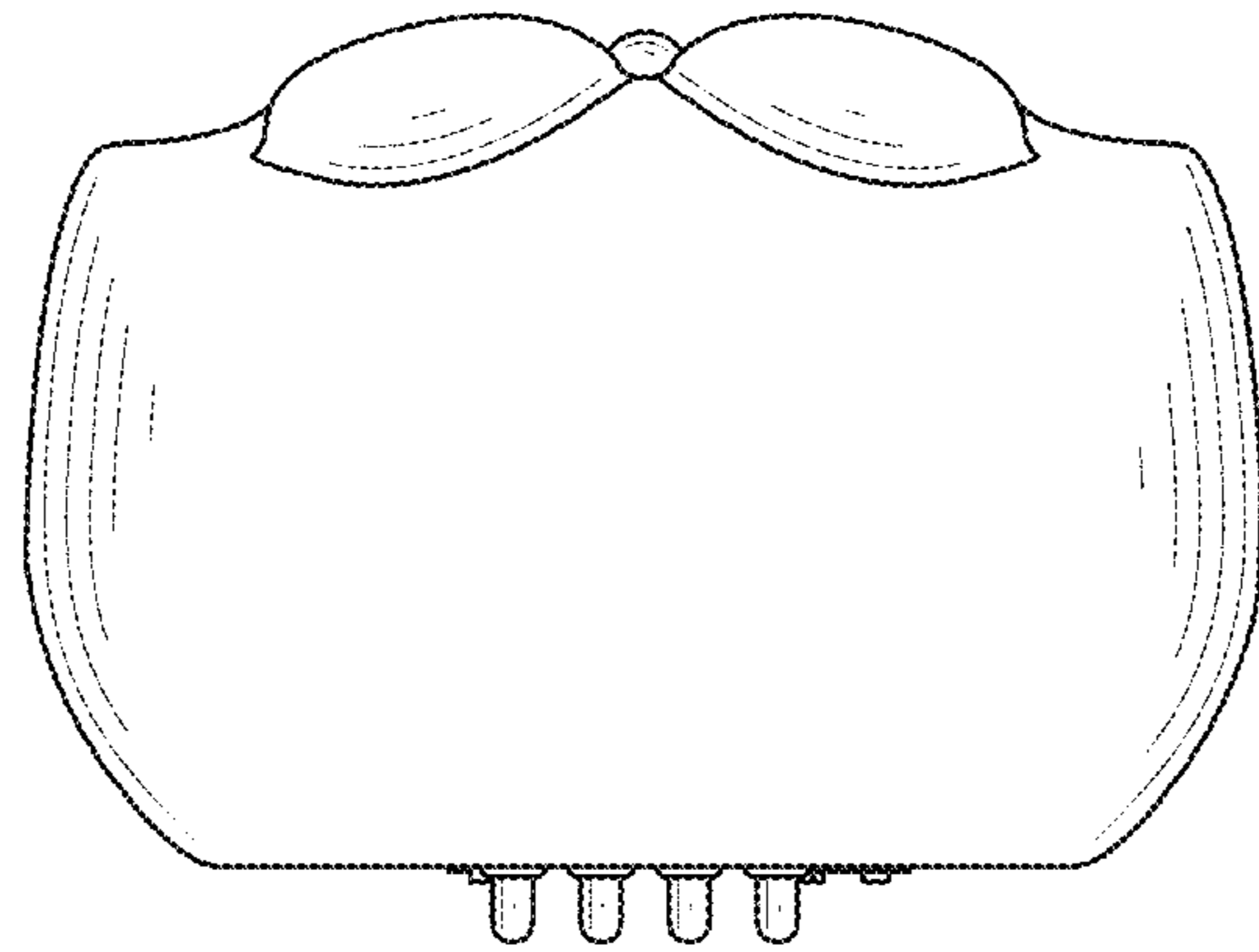


FIG. 13

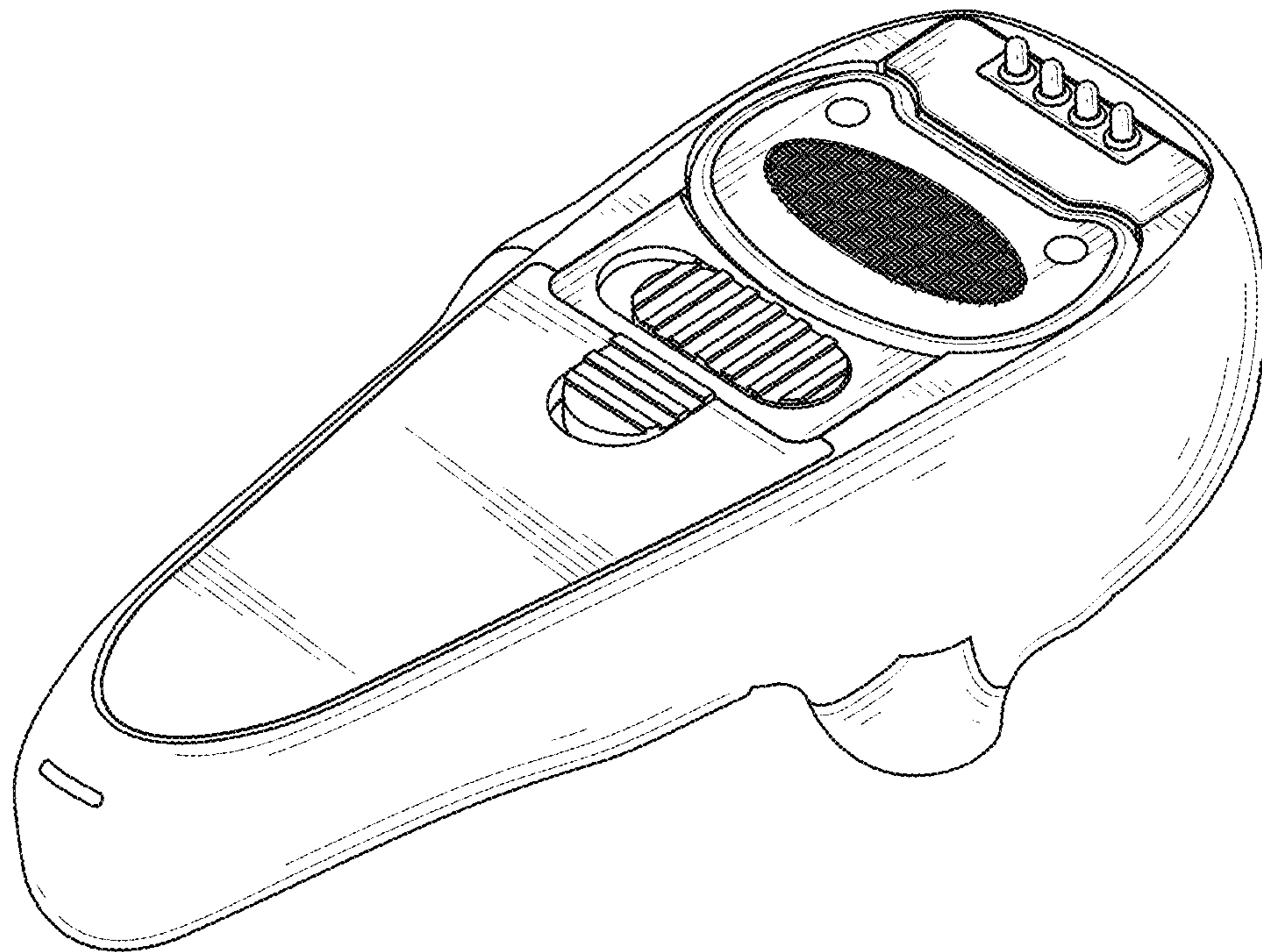


FIG. 14