



US00D793368S

(12) **United States Design Patent** (10) **Patent No.:** **US D793,368 S**
Harper (45) **Date of Patent:** **** Aug. 1, 2017**

- (54) **COMMUNICATIONS HEADSET**
- (71) Applicant: **Plantronics, Inc.**, Santa Cruz, CA (US)
- (72) Inventor: **Pierre Harper**, Santa Cruz, CA (US)
- (73) Assignee: **Plantronics, Inc.**, Santa Cruz, CA (US)
- (**) Term: **15 Years**
- (21) Appl. No.: **29/555,285**
- (22) Filed: **Feb. 19, 2016**

Related U.S. Application Data

- (62) Division of application No. 29/517,379, filed on Feb. 12, 2015, now Pat. No. Des. 761,769.
- (51) **LOC (10) Cl.** **14-01**
- (52) **U.S. Cl.**
USPC **D14/223**
- (58) **Field of Classification Search**
USPC D14/223, 240, 188, 138 AA; D3/269;
181/129, 130, 135; 379/430, 431;
381/380, 381
CPC H04R 1/10; H04R 25/00; H04R 1/1016;
H04R 1/1066; H04R 1/1058
See application file for complete search history.

(56) **References Cited**

U.S. PATENT DOCUMENTS

- 3,693,089 A * 9/1972 Hutchinson H04B 1/0343
174/559
- D504,691 S * 5/2005 Ohno D14/496
- D514,590 S * 2/2006 Naruki D14/203.3
- 7,079,664 B2 * 7/2006 Nassimi H04R 25/558
381/328
- D535,281 S * 1/2007 Yang D14/203.3
- D535,974 S * 1/2007 Alwicker D14/188
- D536,692 S * 2/2007 Alwicker D14/188
- D538,271 S * 3/2007 Kim D14/223
- 7,197,248 B1 * 3/2007 Vorontsov H04B 10/1127
398/119
- D539,777 S * 4/2007 Pena Angarita D14/138 R

- D539,787 S * 4/2007 Kim D14/223
- D548,747 S * 8/2007 Andre D14/496
- D550,215 S * 9/2007 Udagawa D14/223
- D558,757 S * 1/2008 Andre D14/138 G
- D566,103 S * 4/2008 Sade D14/223
- D566,696 S * 4/2008 Schmelling D14/223
- D566,706 S * 4/2008 Andre D14/341
- D568,301 S * 5/2008 Kim D14/205
- 7,376,449 B2 * 5/2008 Mizuta H04M 1/0237
348/E7.081

(Continued)

FOREIGN PATENT DOCUMENTS

- CN 302650500 S 11/2013
- CN 303169009 S 4/2015
- KR 30-2012-0000470 4/2012

OTHER PUBLICATIONS

Taiwan IPO Search Report issued Nov. 2015, for Taiwan Design Patent Application No. 104303940, 1 page.

Primary Examiner — Paula Greene

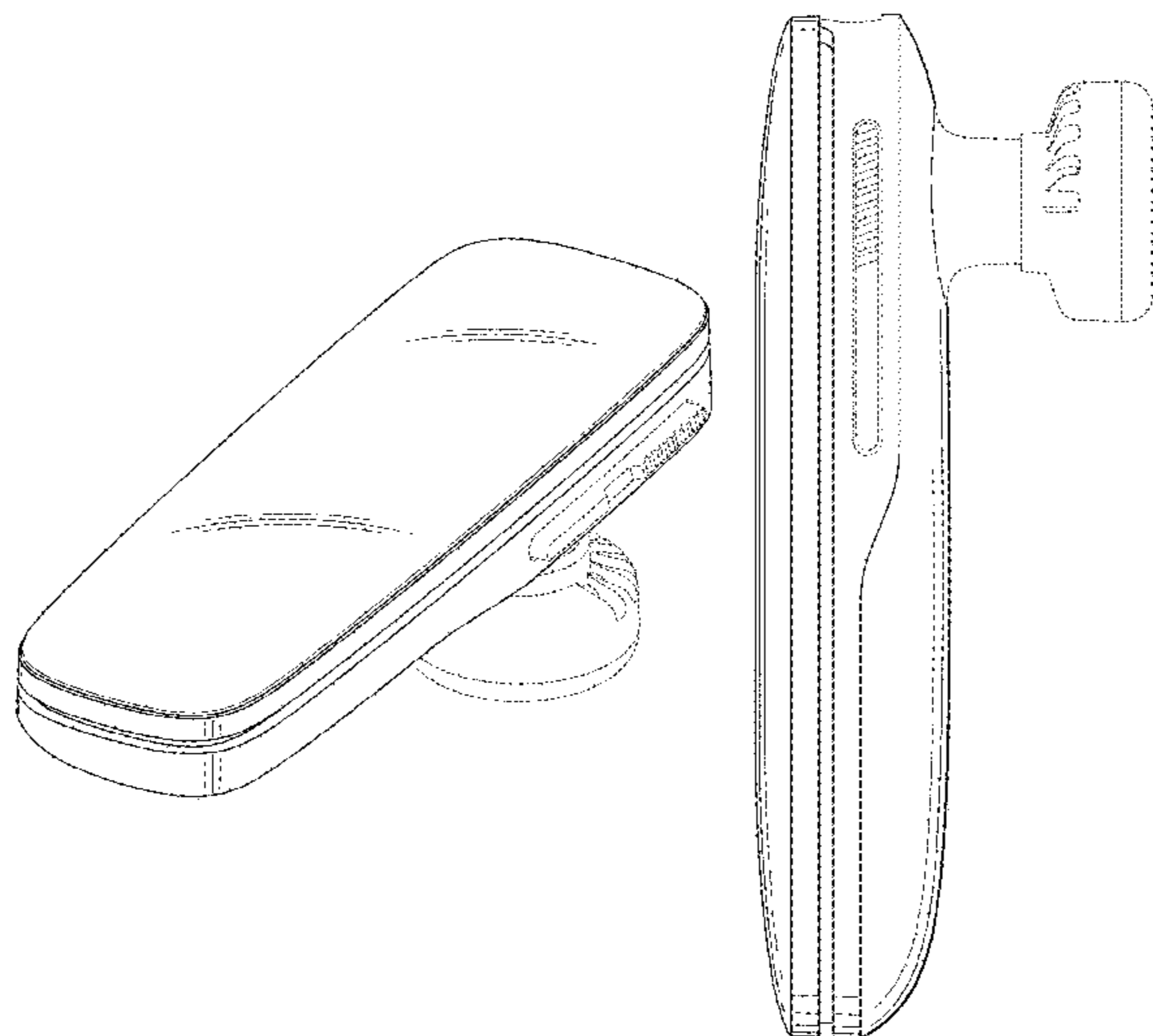
(57) **CLAIM**

The ornamental design for a communications headset, as shown and described.

DESCRIPTION

FIG. 1 is a top-front-right perspective view of a communications headset showing my new design;
 FIG. 2 is a top view thereof;
 FIG. 3 is a bottom view thereof;
 FIG. 4 is a left view thereof;
 FIG. 5 is a right view thereof;
 FIG. 6 is a back view thereof; and,
 FIG. 7 is a front view thereof.
 The broken lines showing the unclaimed features form no part of the claimed design.

1 Claim, 6 Drawing Sheets



(56)

References Cited

U.S. PATENT DOCUMENTS

D573,983 S *	7/2008	Bang	D14/223	D640,242 S *	6/2011	Fahrendorff	D14/223
D581,396 S *	11/2008	Wikel	D14/206	D643,420 S *	8/2011	Huang	D14/223
D582,397 S *	12/2008	Christopher	D14/205	D649,957 S *	12/2011	Fahrendorff	D14/223
D582,897 S *	12/2008	Christopher	D14/223	D656,128 S *	3/2012	Park	D14/223
D585,431 S *	1/2009	Bradford	D14/205	D656,490 S	3/2012	Birger		
D588,113 S *	3/2009	Bradford	D14/223	D657,781 S	4/2012	Yang		
D590,377 S	4/2009	Bradford			D664,125 S	7/2012	Koch et al.		
D590,813 S	4/2009	Bradford et al.			D664,950 S *	8/2012	Rye	D14/223
D598,900 S *	8/2009	Wikel	D14/223	8,270,915 B2 *	9/2012	Sanford	H01Q 1/243 343/904
D603,378 S *	11/2009	Paradise	D14/223	8,285,208 B2 *	10/2012	Terlizzi	H04M 1/05 379/428.02
D604,722 S *	11/2009	Mistry	D14/223	D671,096 S *	11/2012	Song	D14/223
D609,695 S *	2/2010	Cigliano	D14/205	D675,600 S	2/2013	Koch		
D616,873 S *	6/2010	Olivier	D14/223	D680,101 S	4/2013	Koch		
D618,221 S *	6/2010	Fahrendorff	D14/223	D691,120 S	10/2013	Koch		
D620,927 S *	8/2010	Li	D14/223	D693,796 S *	11/2013	Birger	D14/223
D629,396 S	12/2010	Andre et al.			D746,267 S *	12/2015	Birger	D14/223
D630,620 S *	1/2011	Lee	D14/223	9,301,037 B1 *	3/2016	Kalyvas	H04R 1/1066
D633,481 S	3/2011	Chen			D761,769 S *	7/2016	Harper	D14/223
D636,381 S *	4/2011	Liner	D14/223	D772,203 S *	11/2016	Zeng	D14/223
D637,184 S *	5/2011	March	D14/223	D779,462 S *	2/2017	Birger	D14/223

* cited by examiner

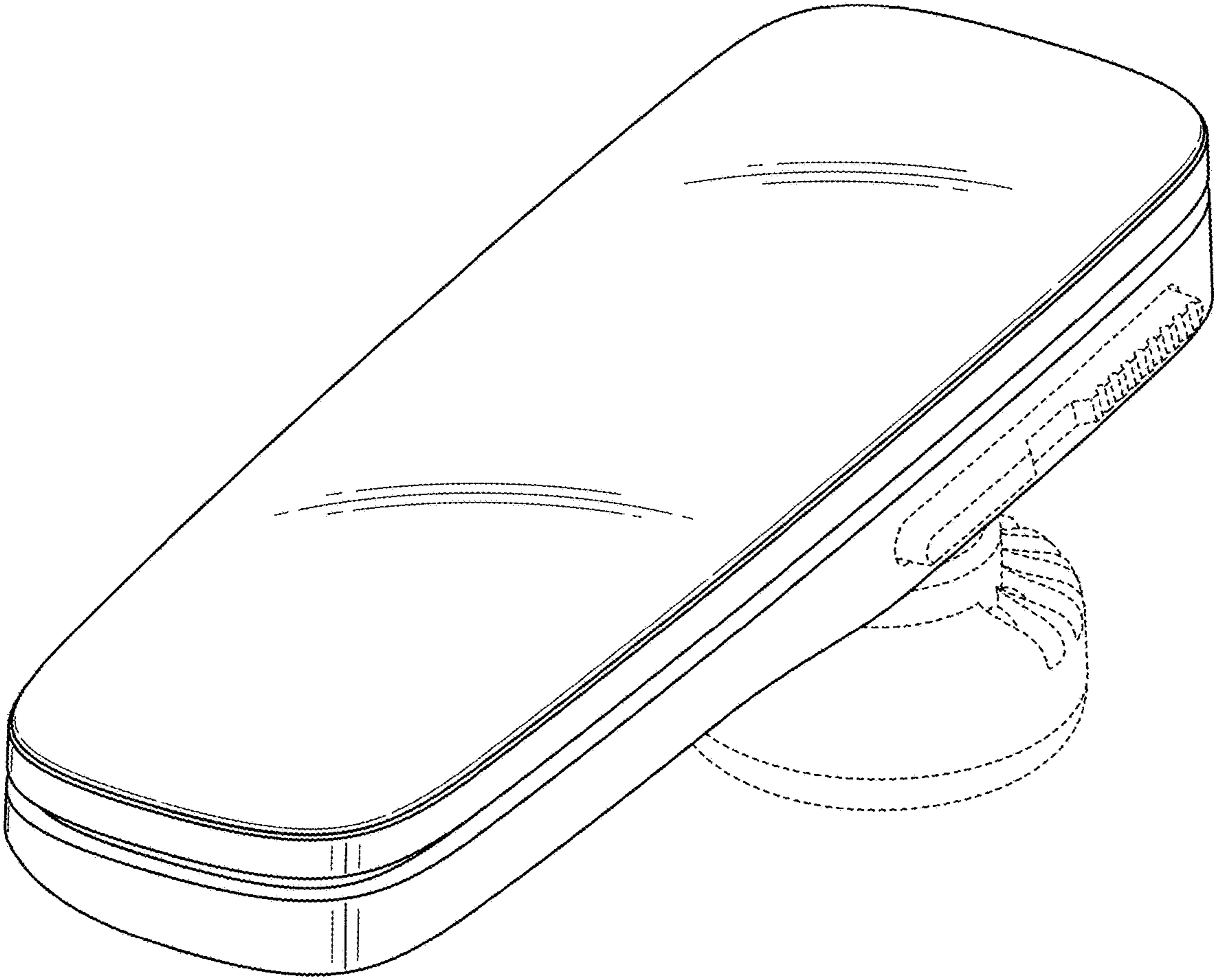


FIG. 1

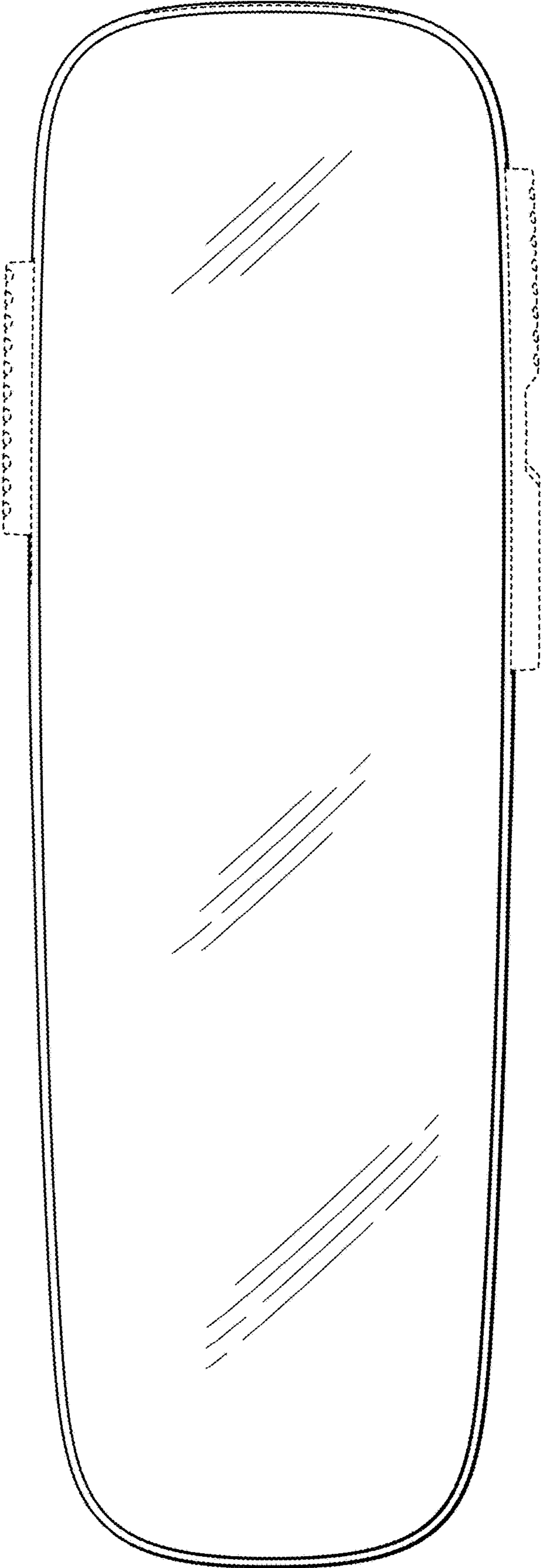


FIG. 2

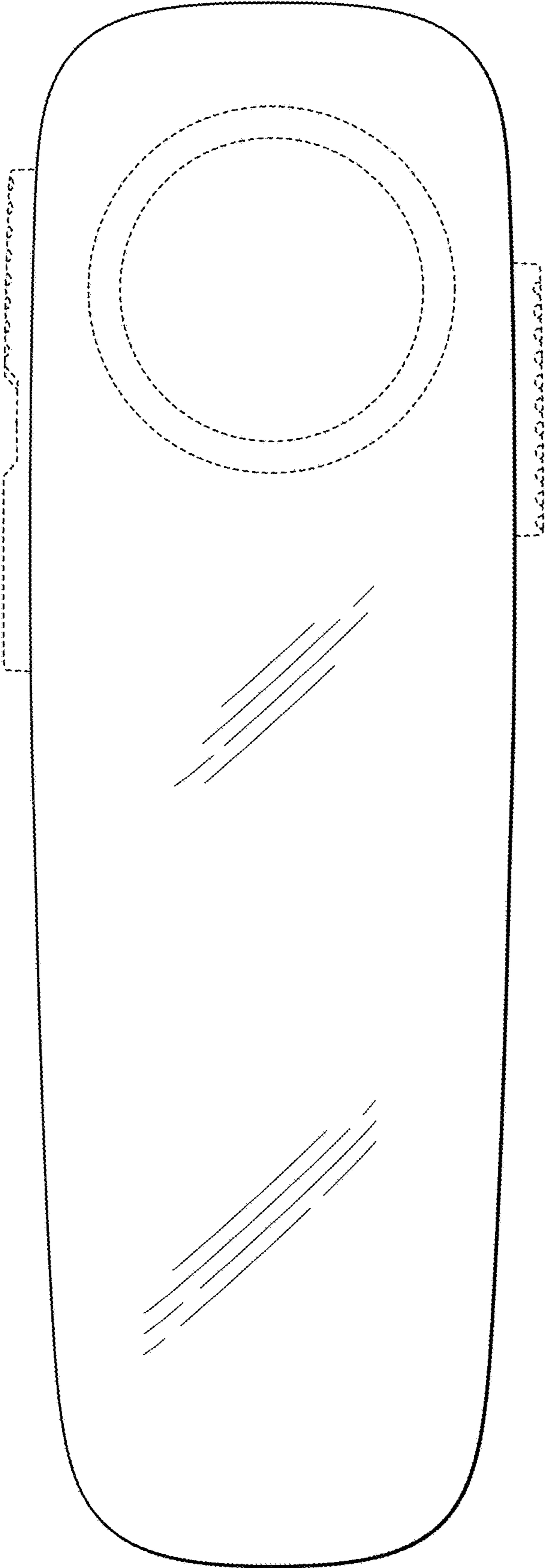


FIG. 3

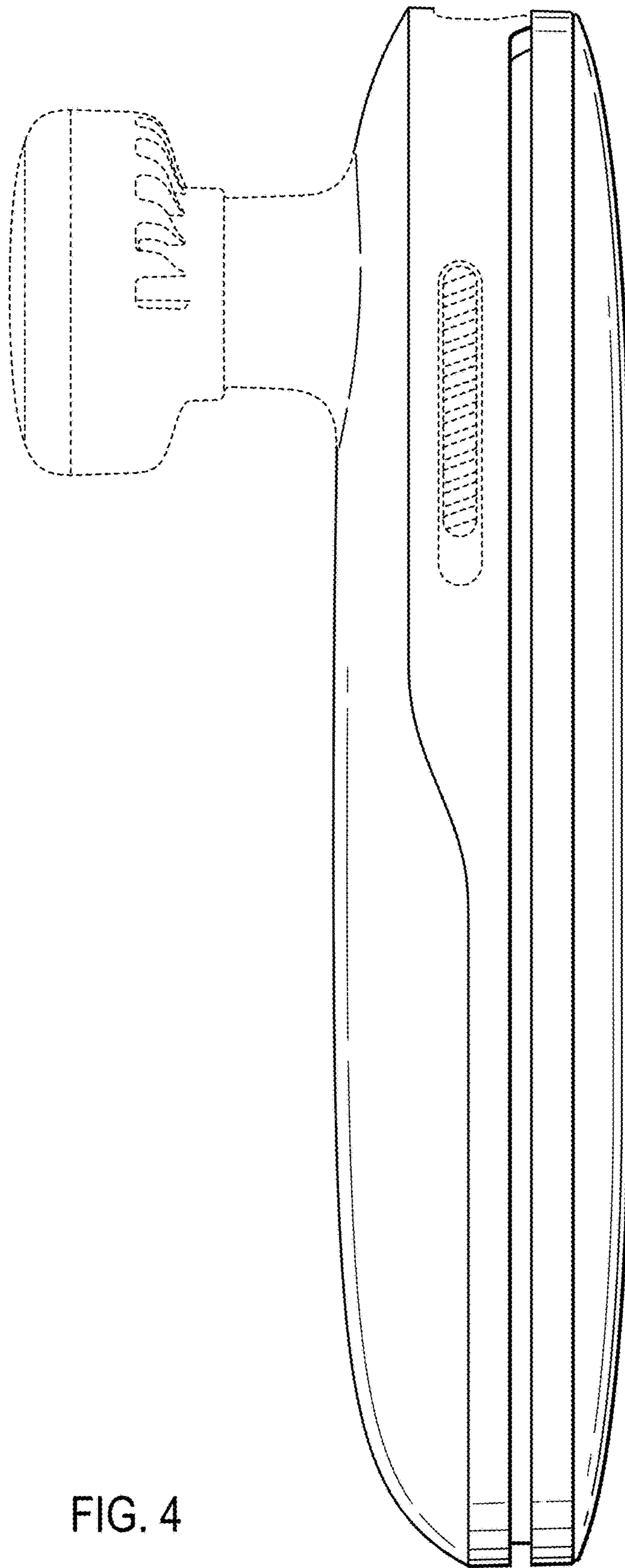


FIG. 4

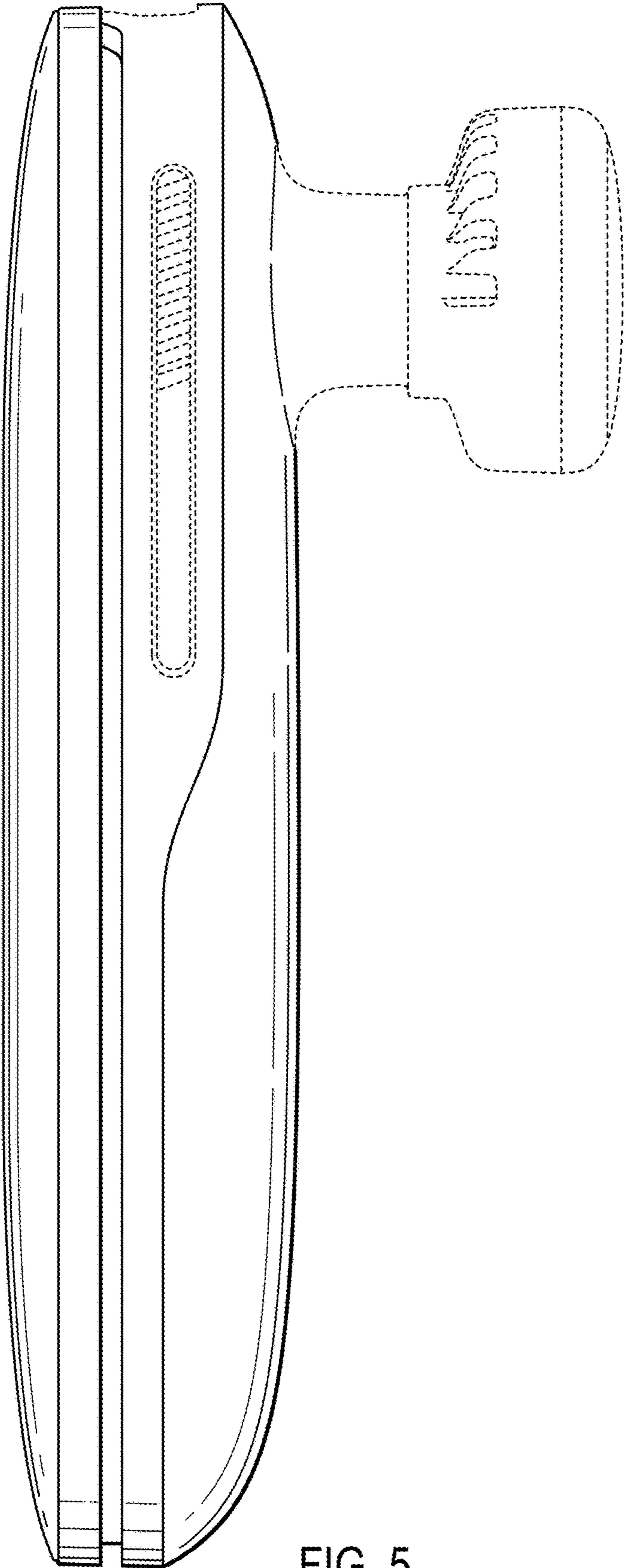


FIG. 5

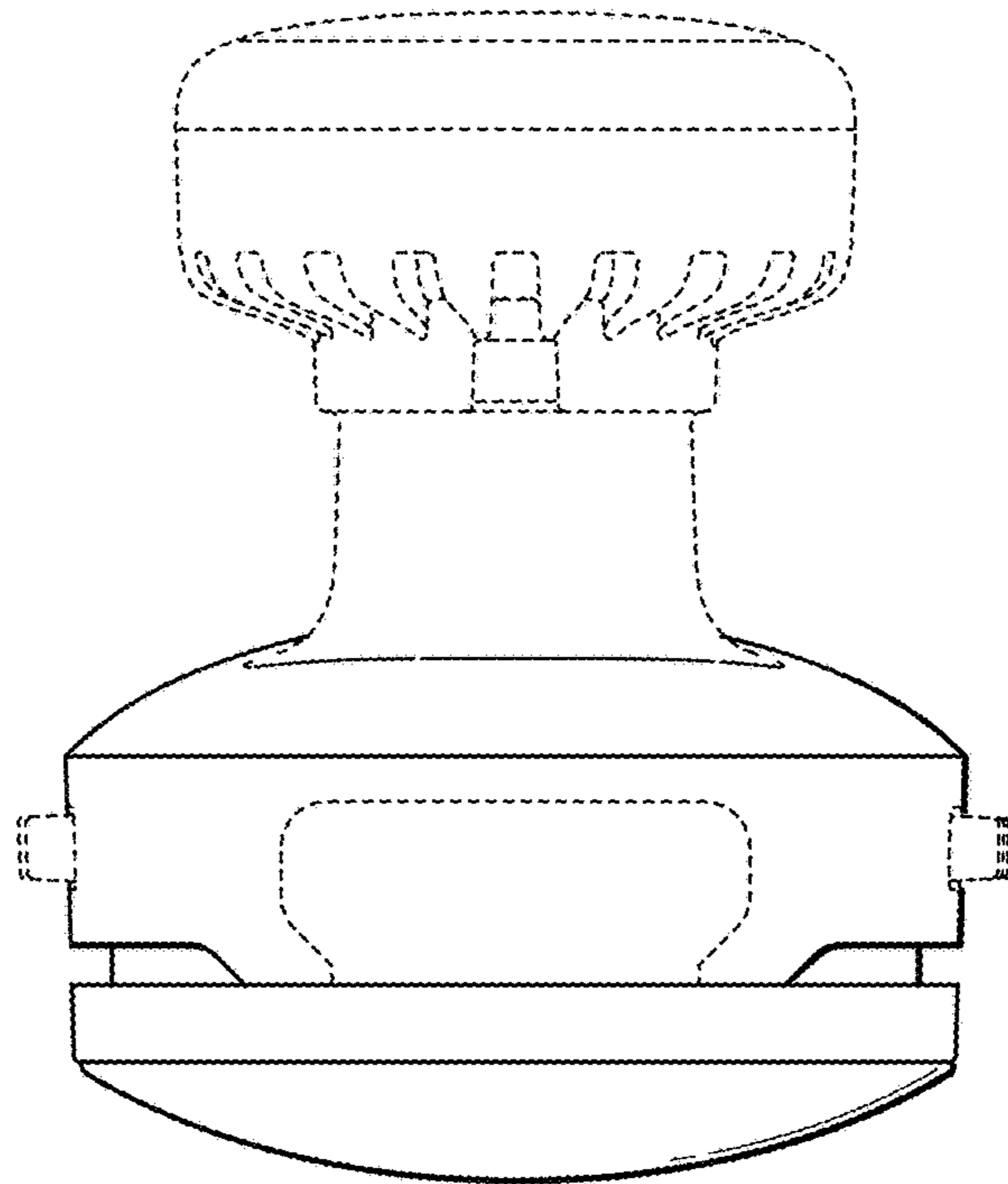


FIG. 6

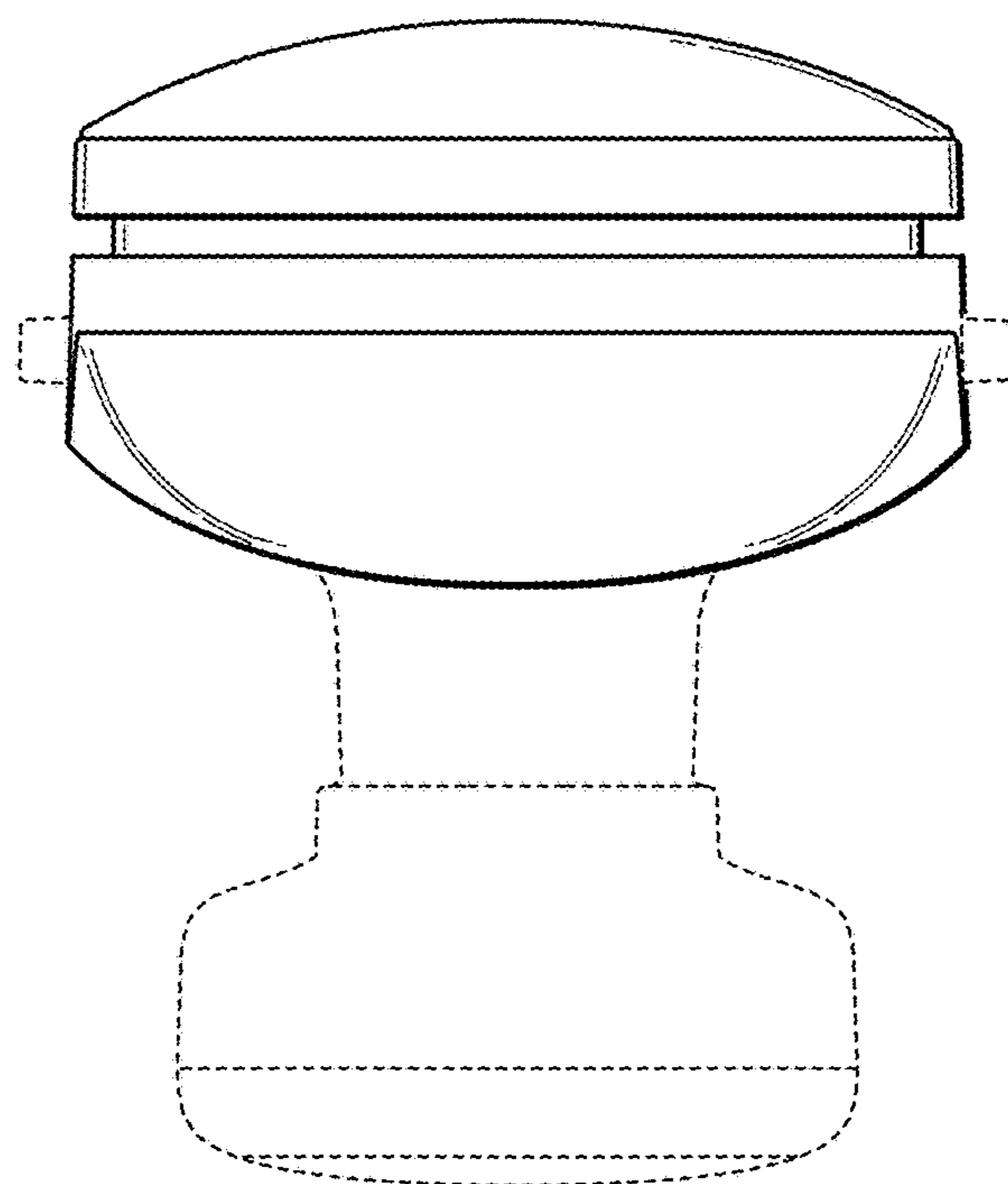


FIG. 7