



US00D793365S

(12) **United States Design Patent**
Kato et al.

(10) **Patent No.:** **US D793,365 S**

(45) **Date of Patent:** **** Aug. 1, 2017**

(54) **REMOTE CONTROLLER**

(71) Applicant: **SMK Corporation**, Tokyo (JP)

(72) Inventors: **Tatsuo Kato**, Kanagawa (JP); **Hiroshi Fujikawa**, Tokyo (JP); **Yusuke Machida**, Kanagawa (JP)

(73) Assignee: **SMK CORPORATION**, Tokyo (JP)

(**) Term: **15 Years**

(21) Appl. No.: **29/561,438**

(22) Filed: **Apr. 15, 2016**

(30) **Foreign Application Priority Data**

Oct. 23, 2015 (JP) 2015-23562

(51) **LOC (10) Cl.** **14-03**

(52) **U.S. Cl.**
USPC **D14/218**

(58) **Field of Classification Search**
USPC D14/137, 138, 139, 140, 174, 217-218,
D14/240, 247, 388, 389, 390, 396, 511;
D13/162, 163, 164, 168; D21/516, 517
CPC G08C 17/02; G08C 19/12; G08C 23/04
See application file for complete search history.

(56) **References Cited**

U.S. PATENT DOCUMENTS

D365,102 S	*	12/1995	Gioscia	D14/218
D368,718 S	*	4/1996	Starck	D14/218
D459,341 S	*	6/2002	Saeki	D14/218
D532,779 S	*	11/2006	Kim	D14/218
D533,866 S	*	12/2006	Morisawa	D14/218
D626,534 S	*	11/2010	Kim	D14/218
D632,673 S	*	2/2011	Isaias	D14/218
D640,669 S	*	6/2011	Cho	D14/218

D650,364 S	*	12/2011	Kim	D14/218
D724,059 S	*	3/2015	Kim	D14/218
D726,163 S	*	4/2015	Bekhradi	D14/218
D762,195 S	*	7/2016	Klein	D14/218
D769,848 S	*	10/2016	Lee	D14/218

FOREIGN PATENT DOCUMENTS

JP	D1265128	1/2006
KR	3007274460000	1/2014
NO	072303	10/1995

OTHER PUBLICATIONS

<https://www.smklink.com/collections/presentation-products>—Retrieved Dec. 1, 2016.*
<http://www.imediadigitalmarketing.com/portfolio-photography.html>—Retrieved Dec. 1, 2016.*

* cited by examiner

Primary Examiner — Manpreet Matharu
Assistant Examiner — Mojtaba Tehrani
(74) *Attorney, Agent, or Firm* — Wideman Malek, PL; Mark Malek

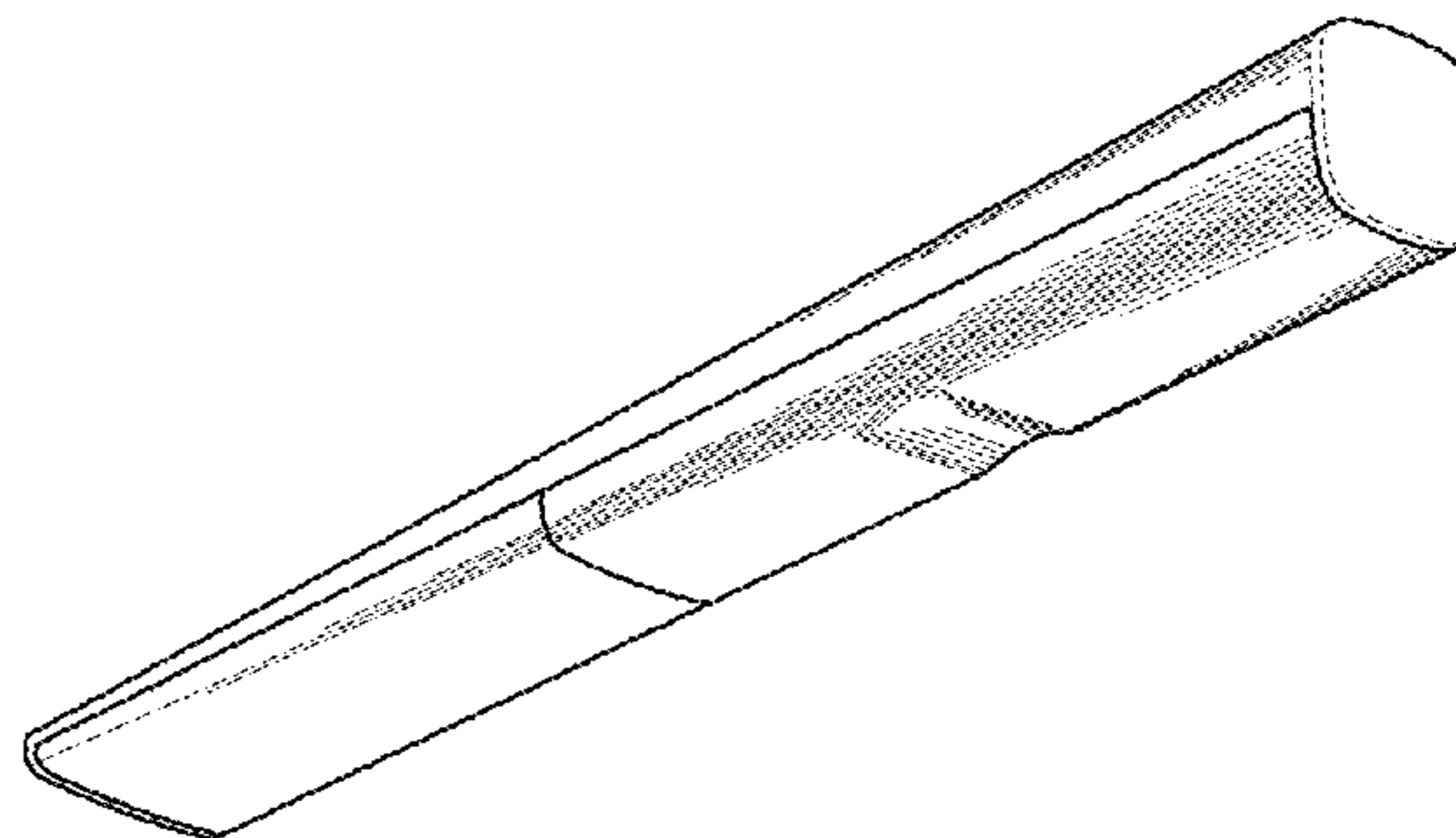
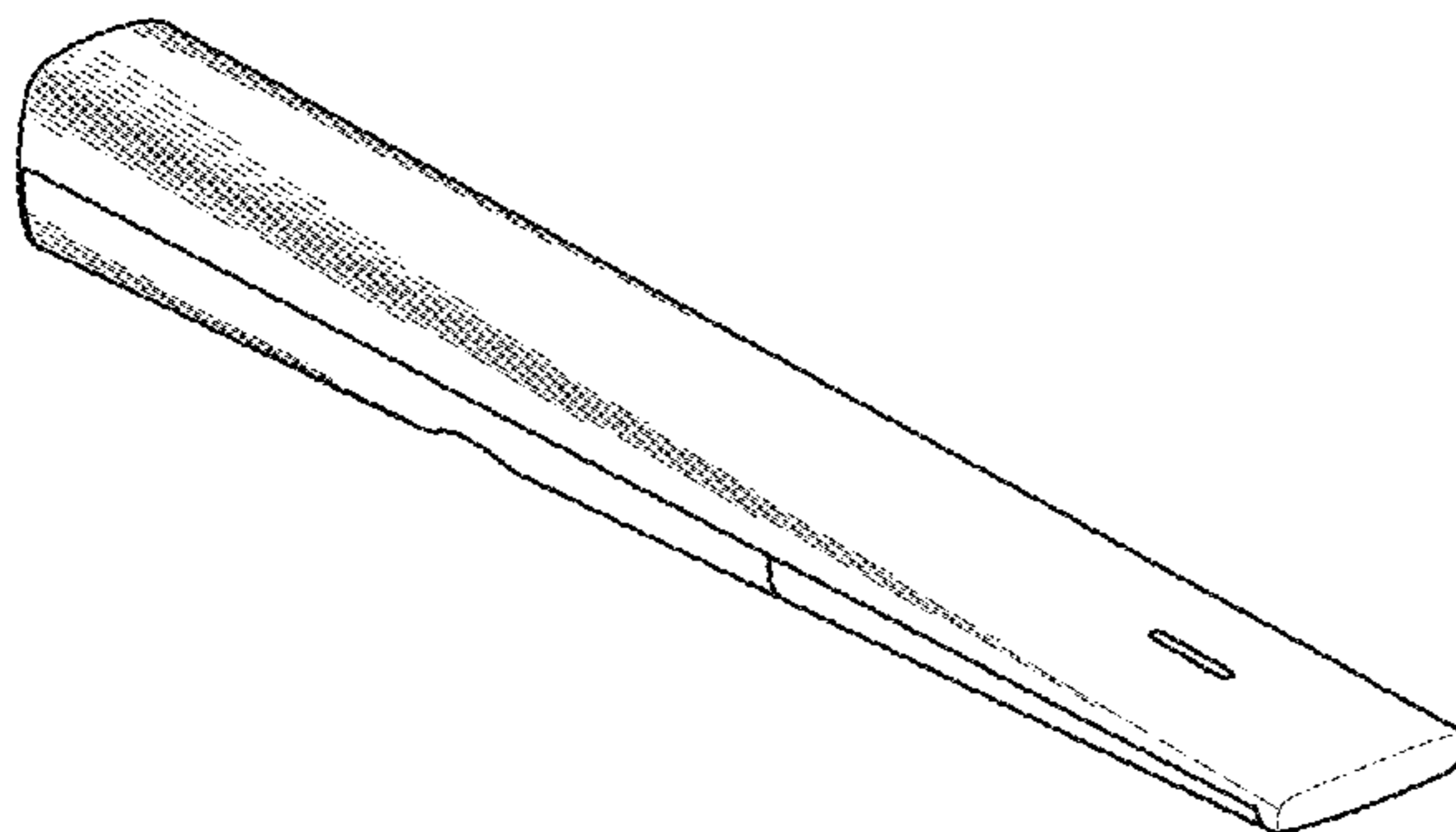
(57) **CLAIM**

The ornamental design for a remote controller, as shown and described.

DESCRIPTION

FIG. 1 is a front perspective view of a remote controller, showing our new design.
FIG. 2 is a rear perspective view thereof.
FIG. 3 is a front elevation view thereof.
FIG. 4 is a rear elevation view thereof.
FIG. 5 is a top plan view thereof.
FIG. 6 is a right side elevation view thereof; and,
FIG. 7 is a left side elevation view thereof.

1 Claim, 7 Drawing Sheets



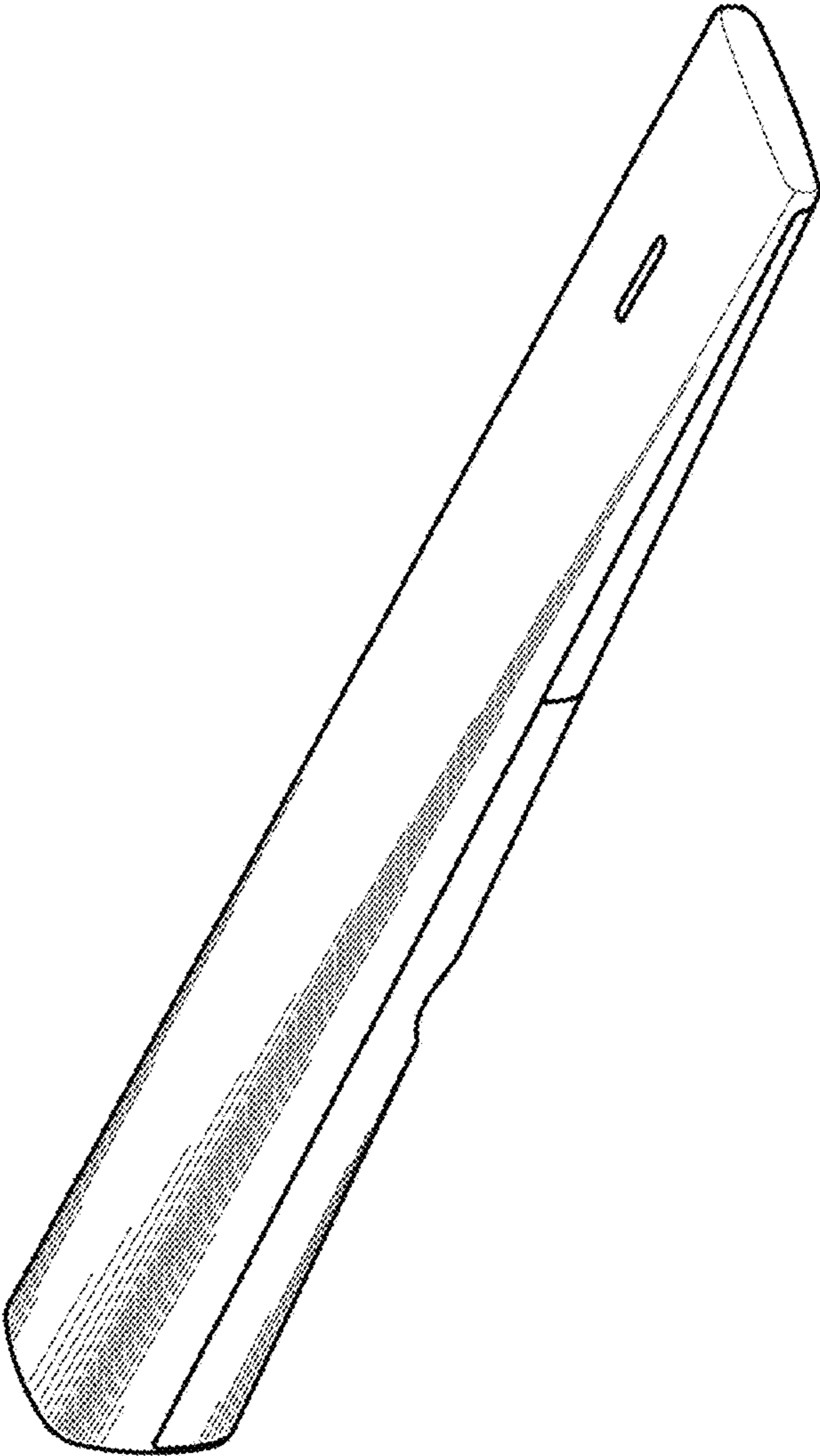


FIG.1

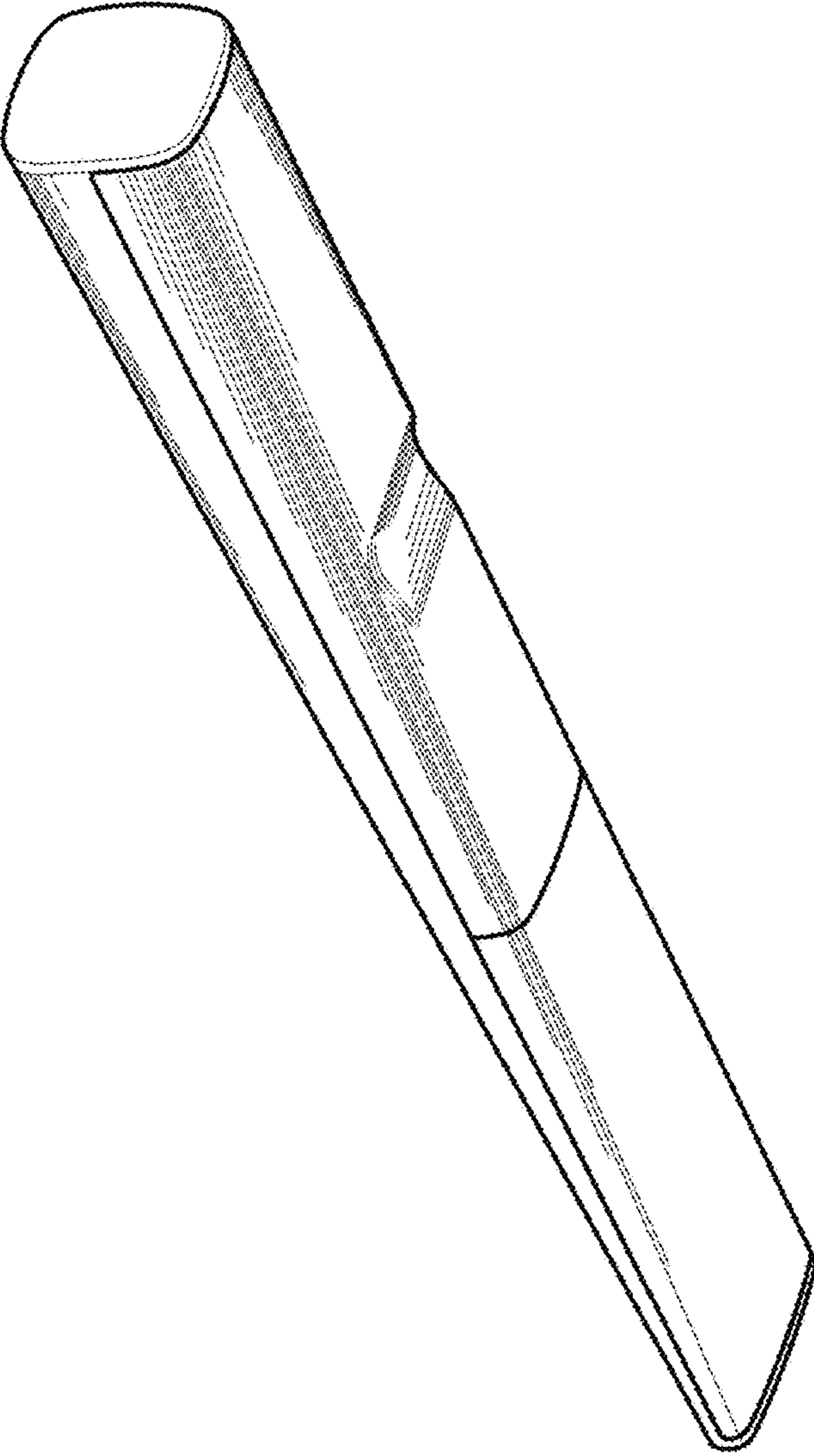


FIG.2

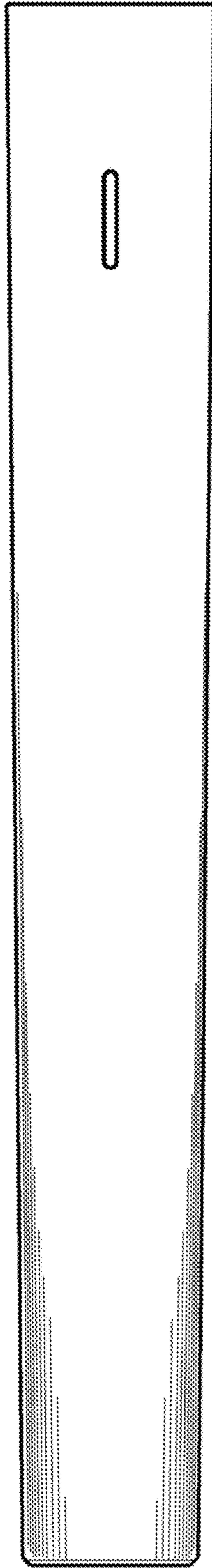


FIG.3

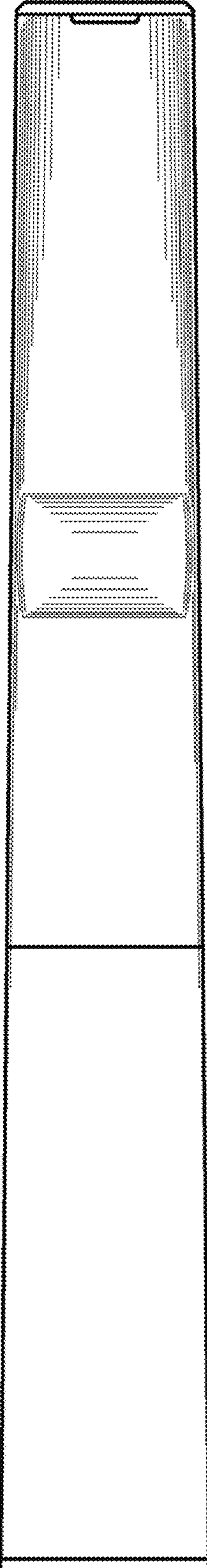


FIG.4

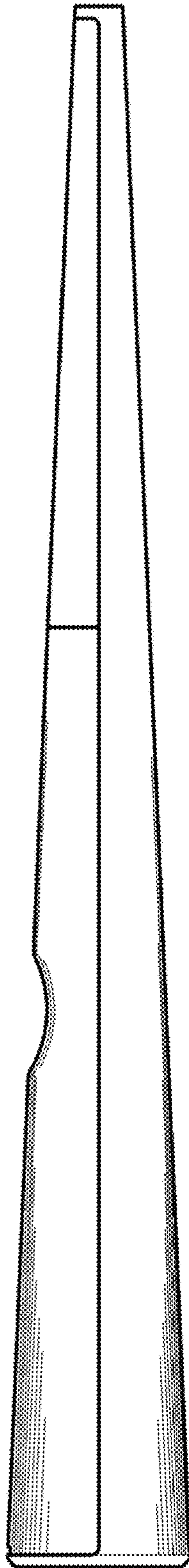


FIG.5

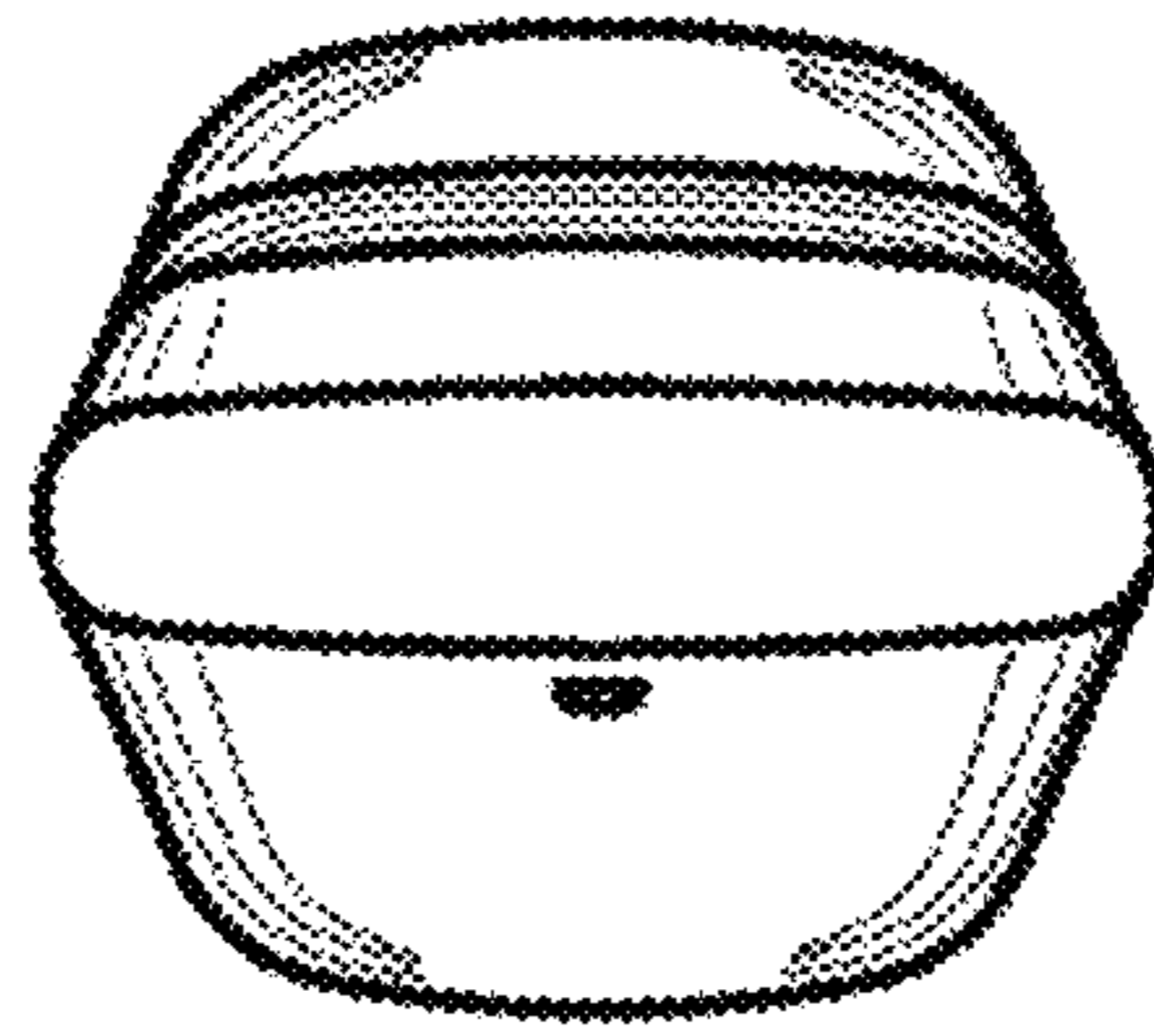


FIG.6

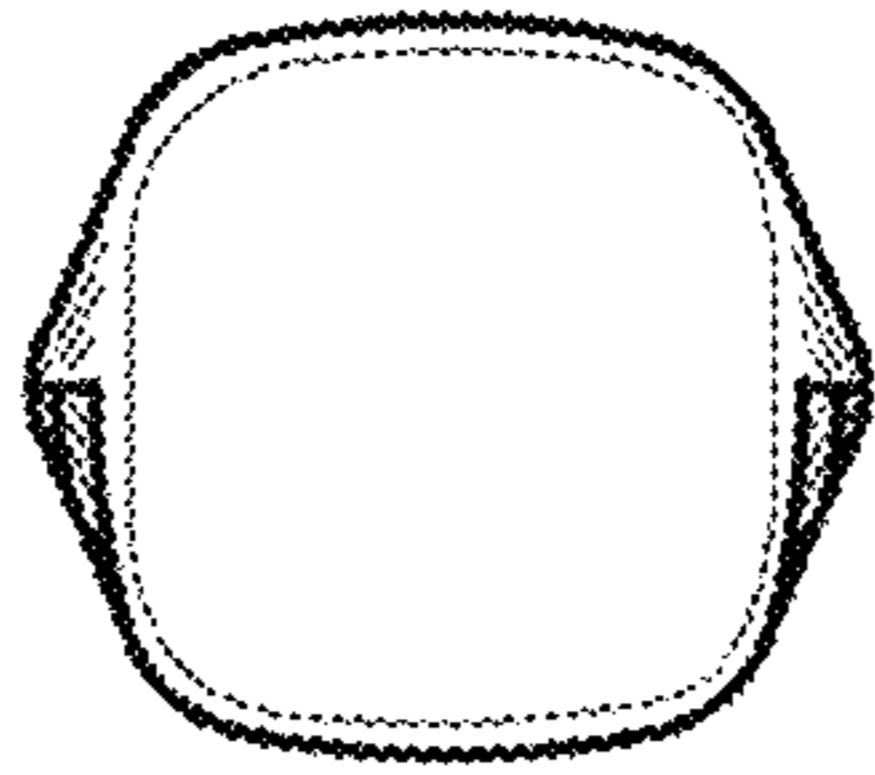


FIG. 7