



US00D793363S

(12) **United States Design Patent**
Zhang

(10) **Patent No.:** **US D793,363 S**

(45) **Date of Patent:** **** Aug. 1, 2017**

- (54) **SOUND BOX**
- (71) Applicant: **SHENZHEN INITIATIVE TECHNOLOGY CO., LTD.**,
Shenzhen, Guangdong Province (CN)
- (72) Inventor: **Haixing Zhang**, Shenzhen (CN)
- (73) Assignee: **SHENZHEN INITIATIVE TECHNOLOGY CO., LTD.**, Shenzhen (CN)
- (**) Term: **15 Years**
- (21) Appl. No.: **29/554,014**
- (22) Filed: **Feb. 6, 2016**
- (51) **LOC (10) Cl.** **14-01**
- (52) **U.S. Cl.**
USPC **D14/216**
- (58) **Field of Classification Search**
USPC D14/216, 204, 207, 214, 215, 496,
D14/167-168, 170-172, 188, 194-197,
D14/203.1; 181/147, 148, 150, 153, 157,
181/198, 199, 300-302, 336, 345,
181/361-364, 386-388
CPC H04R 1/02; H04R 5/00; H04R 9/06
See application file for complete search history.

- 3,435,910 A * 4/1969 Lahti H04R 1/021
181/152
- D222,072 S * 9/1971 Levitt D14/211
- 3,720,787 A * 3/1973 Ishii H04R 1/02
181/147
- 3,735,041 A * 5/1973 Fujita H04R 1/02
181/145
- 3,812,301 A * 5/1974 Lahti H04R 1/021
181/153
- D234,799 S * 4/1975 Jericho D14/172
- D238,098 S * 12/1975 Fink D14/192
- D281,066 S * 10/1985 Humble D14/215
- 4,737,134 A * 4/1988 Rumsey A63H 5/00
446/175
- 4,865,153 A * 9/1989 Toyoda A63J 17/00
181/148
- 4,953,223 A * 8/1990 Householder F16M 11/24
381/182
- 4,991,847 A * 2/1991 Rudell A63F 9/00
273/138.1
- D349,704 S * 8/1994 Tsing D14/216
- 5,445,375 A * 8/1995 Sweeny A63B 43/00
273/146

(Continued)

Primary Examiner — Paula Greene
(74) *Attorney, Agent, or Firm* — PROI Intellectual Property US

(57) **CLAIM**

The ornamental design for sound box, as shown and described.

DESCRIPTION

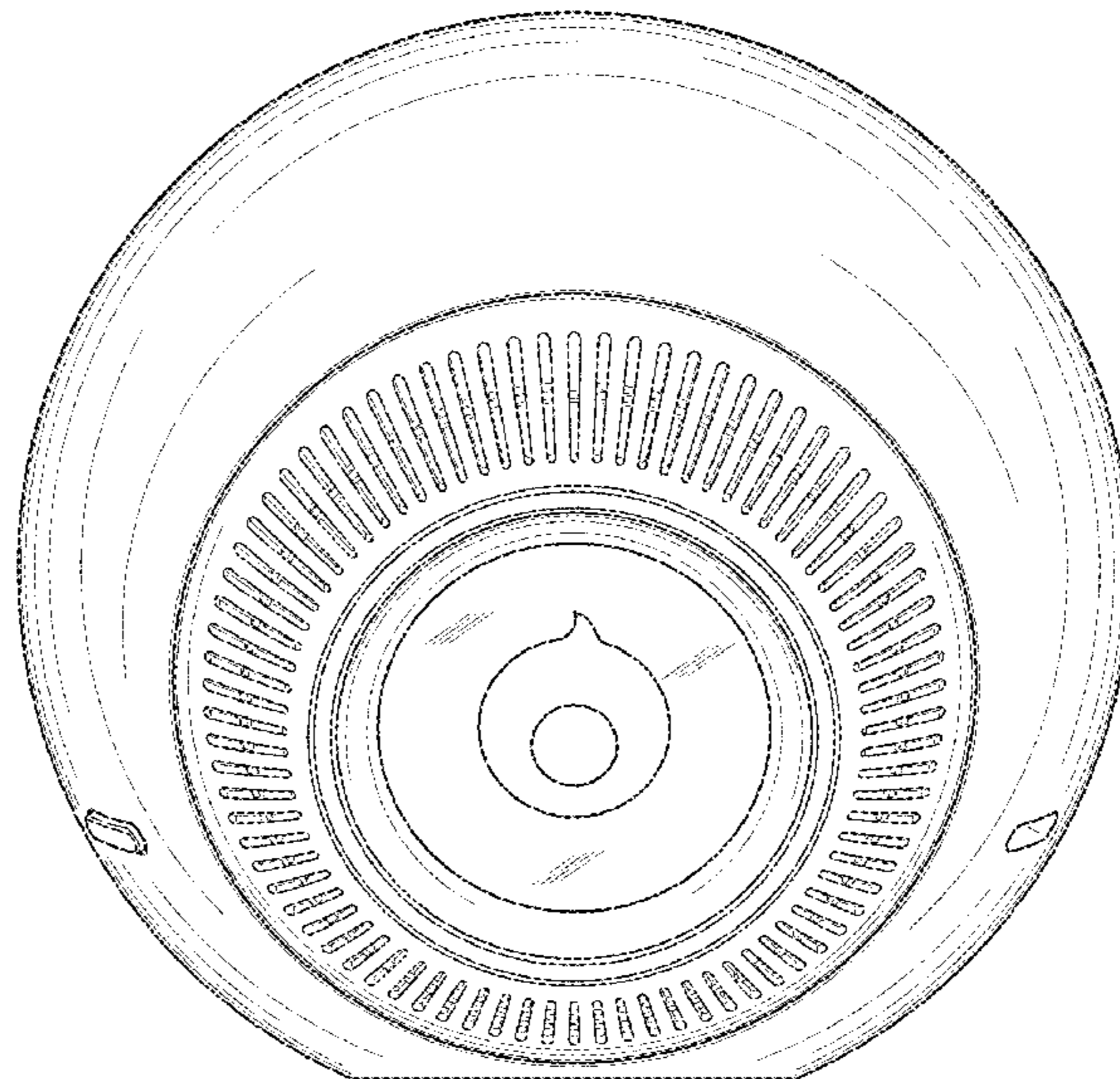
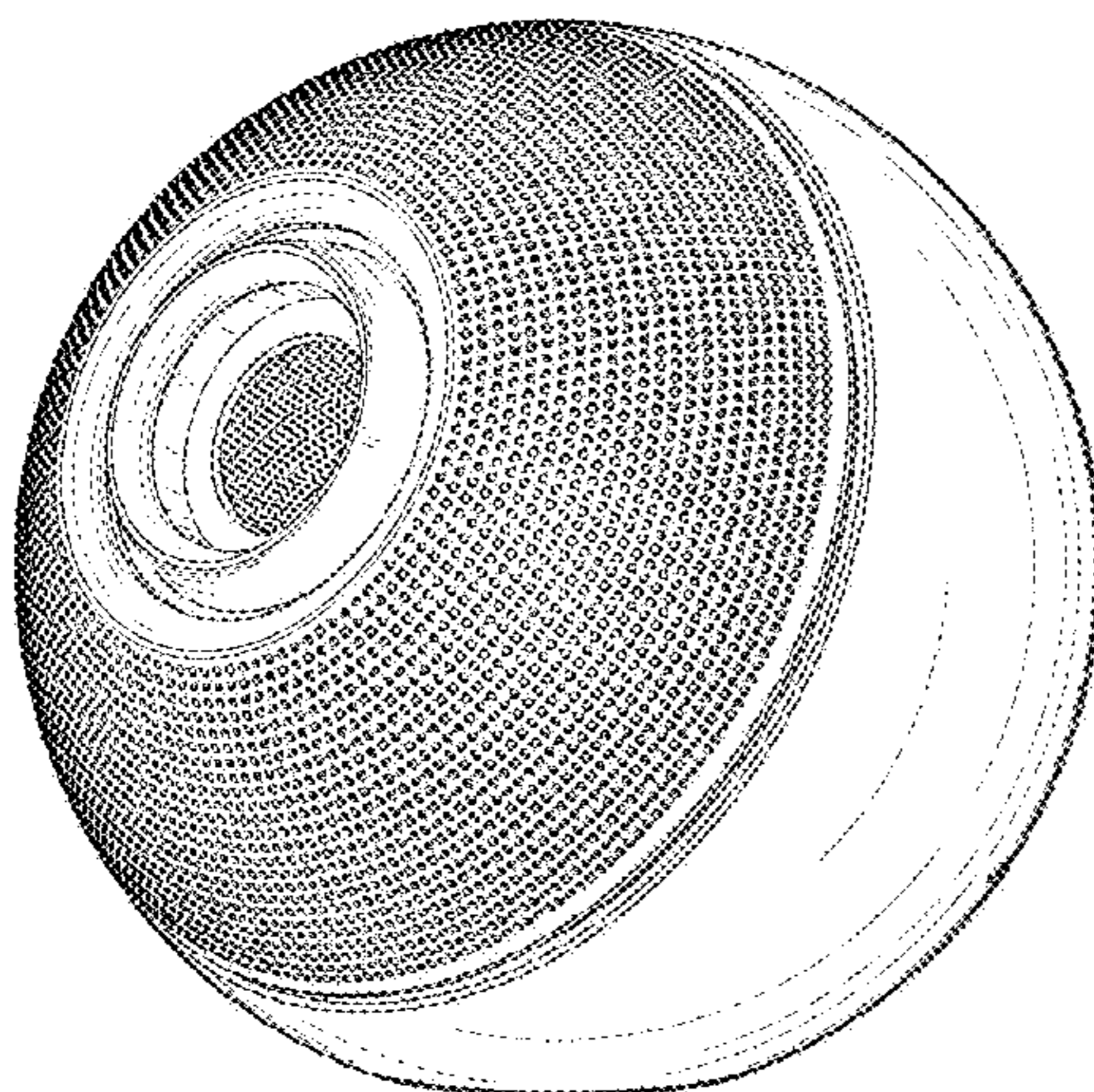
FIG. 1 is a perspective view of a sound box showing my new design;
FIG. 2 is a front view thereof;
FIG. 3 is a rear view thereof;
FIG. 4 is a top view thereof;
FIG. 5 is a bottom view thereof;
FIG. 6 is a right side view thereof; and,
FIG. 7 is a left side view thereof.

1 Claim, 7 Drawing Sheets

(56) **References Cited**

U.S. PATENT DOCUMENTS

- D133,539 S * 8/1942 Dow 312/7.1
- 2,780,029 A * 2/1957 Anthony A63H 5/00
446/409
- 2,881,850 A * 4/1959 Bonn H04R 1/288
181/153
- D186,892 S * 12/1959 Wilber D14/211
- 3,026,956 A * 3/1962 Wilber H04R 1/021
181/153
- D210,538 S * 3/1968 Lahti D14/213



(56)

References Cited

U.S. PATENT DOCUMENTS

5,812,685 A * 9/1998 Fujita H04R 1/403
181/144
D420,002 S * 2/2000 Arcos D14/189
D430,142 S * 8/2000 Kuo D14/211
D447,471 S * 9/2001 Andre D14/215
D466,887 S * 12/2002 Lewis D14/216
D485,251 S * 1/2004 Lee D14/499
D510,926 S * 10/2005 Jerome D14/168
D514,093 S * 1/2006 Borsboom D14/216
D514,548 S * 2/2006 Chan D14/216
D526,644 S * 8/2006 Breit D14/216
7,104,656 B2 * 9/2006 Dwyer H04N 9/3141
348/E5.143
D539,251 S * 3/2007 Heath D14/137
D540,291 S * 4/2007 Heath D14/137
D552,054 S * 10/2007 Pena Angarita D14/496
D552,084 S * 10/2007 Chapman D14/216
D572,236 S * 7/2008 Oxford D14/211
D573,135 S * 7/2008 Laituri D14/168
D597,532 S * 8/2009 Wang D14/211
D637,173 S * 5/2011 Elkerbout D14/159
D639,273 S * 6/2011 Chow D14/209.1
D645,846 S * 9/2011 Mordechai D14/216
D647,508 S * 10/2011 Lee D14/216
8,094,860 B2 * 1/2012 Huang H04R 1/026
181/147
D676,423 S * 2/2013 Joseph D14/216

8,457,339 B2 * 6/2013 Li H04R 1/2811
381/337
D711,351 S * 8/2014 Breines D14/215
D712,378 S * 9/2014 Mackiewicz D14/216
8,989,420 B1 * 3/2015 Hamer H04R 1/02
381/122
D726,157 S * 4/2015 Chang D14/216
D743,941 S * 11/2015 Patsis D14/216
D748,599 S * 2/2016 Lehannour D14/204
D752,021 S * 3/2016 Nardin D14/204
D752,022 S * 3/2016 Nardin D14/209.1
D752,544 S * 3/2016 Chen D14/207
D752,545 S * 3/2016 Chen D14/207
D752,546 S * 3/2016 Chen D14/207
D752,547 S * 3/2016 Chen D14/207
D752,548 S * 3/2016 Chen D14/207
D756,326 S * 5/2016 Holzer D14/171
D756,327 S * 5/2016 Conti D14/204
D756,957 S * 5/2016 Nylen D14/204
D765,617 S * 9/2016 Mackiewicz D14/216
D770,415 S * 11/2016 Pellisari D14/216
2006/0013411 A1 * 1/2006 Lin H04R 5/02
381/87
2007/0160246 A1 * 7/2007 Vollmer H04R 1/42
381/336
2008/0137880 A1 * 6/2008 Mills H04R 1/06
381/79
2014/0064535 A1 * 3/2014 Zhao H04R 1/021
381/332

* cited by examiner

FIG. 1

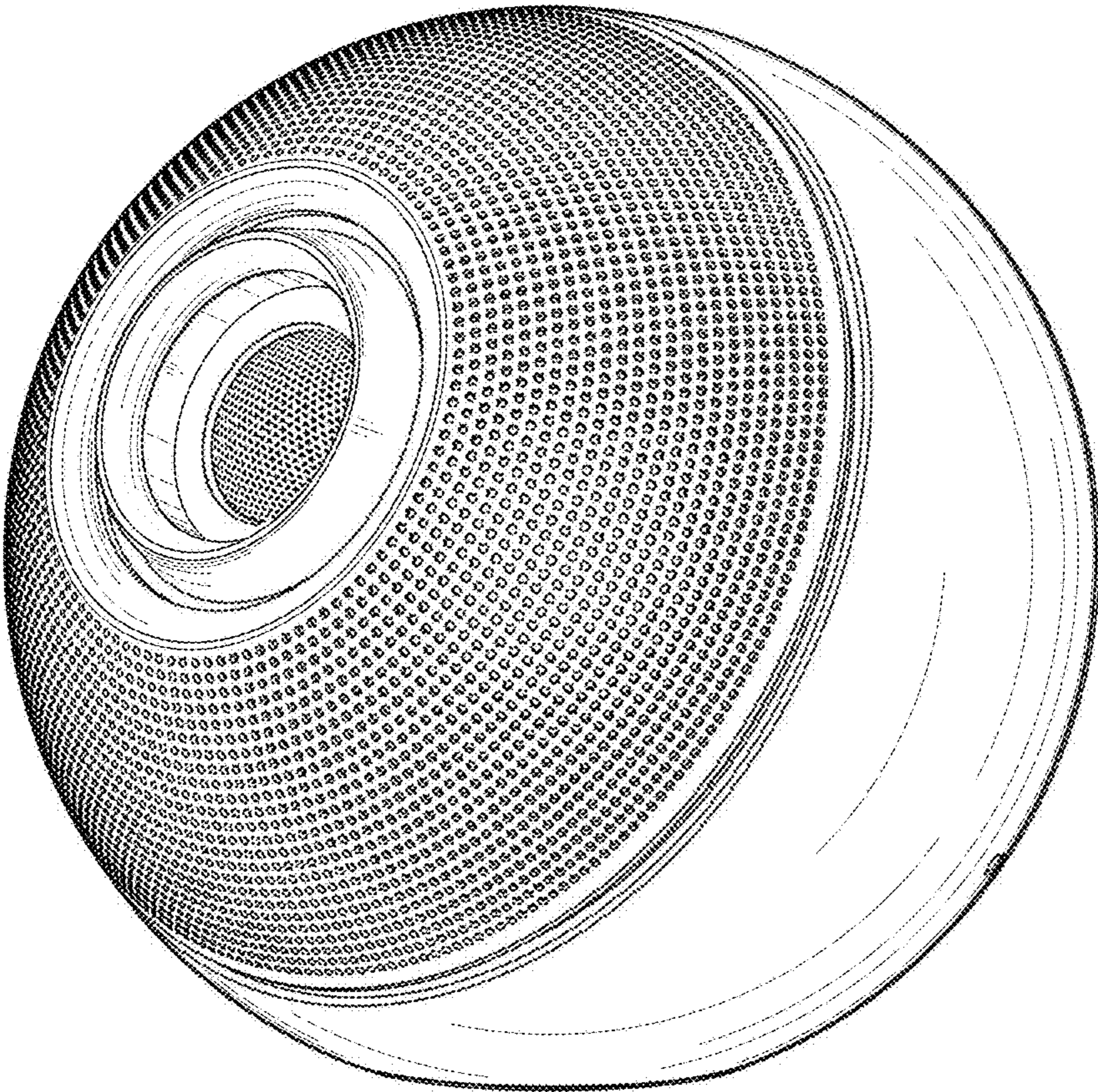


FIG. 2

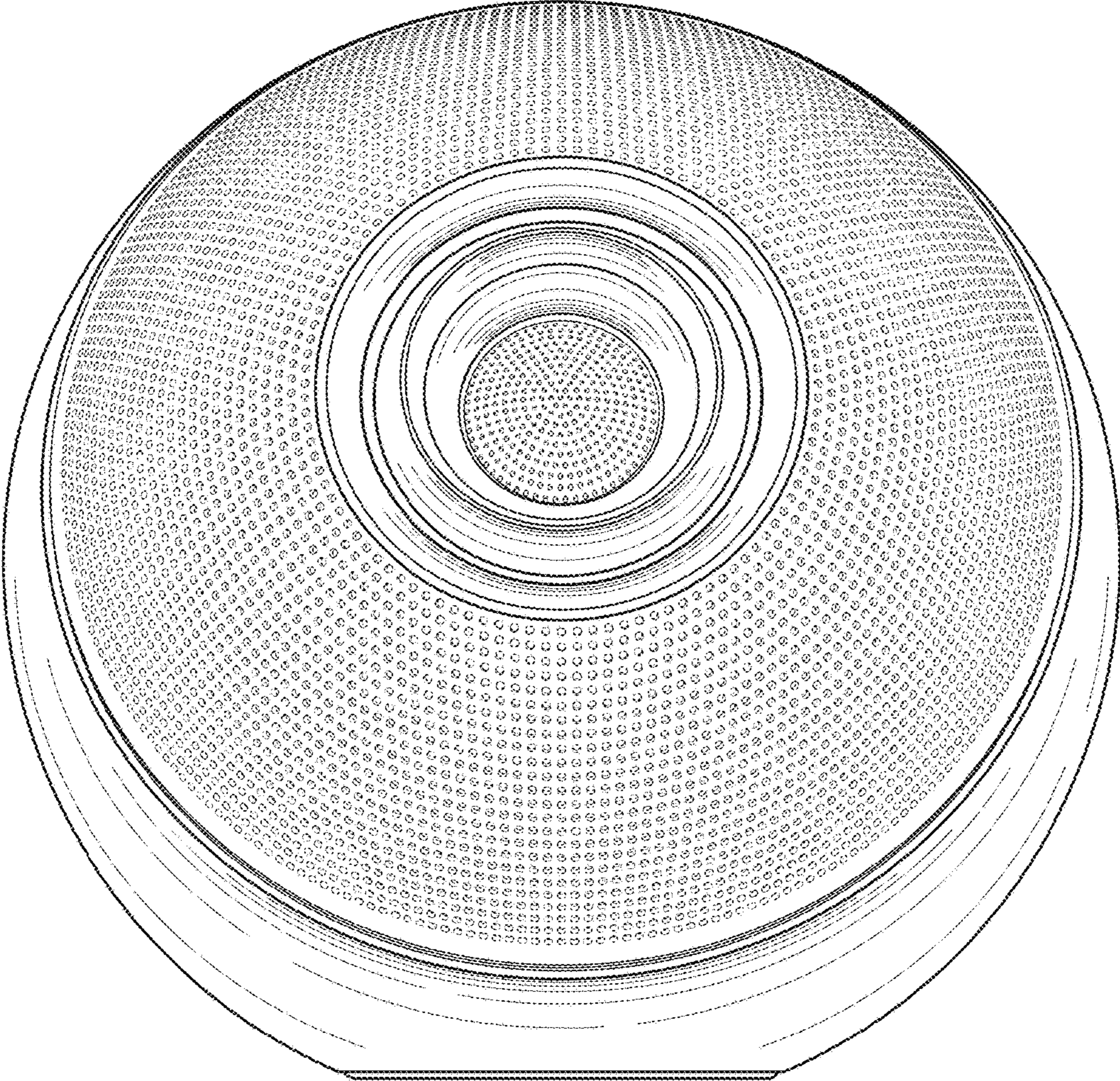


FIG. 3

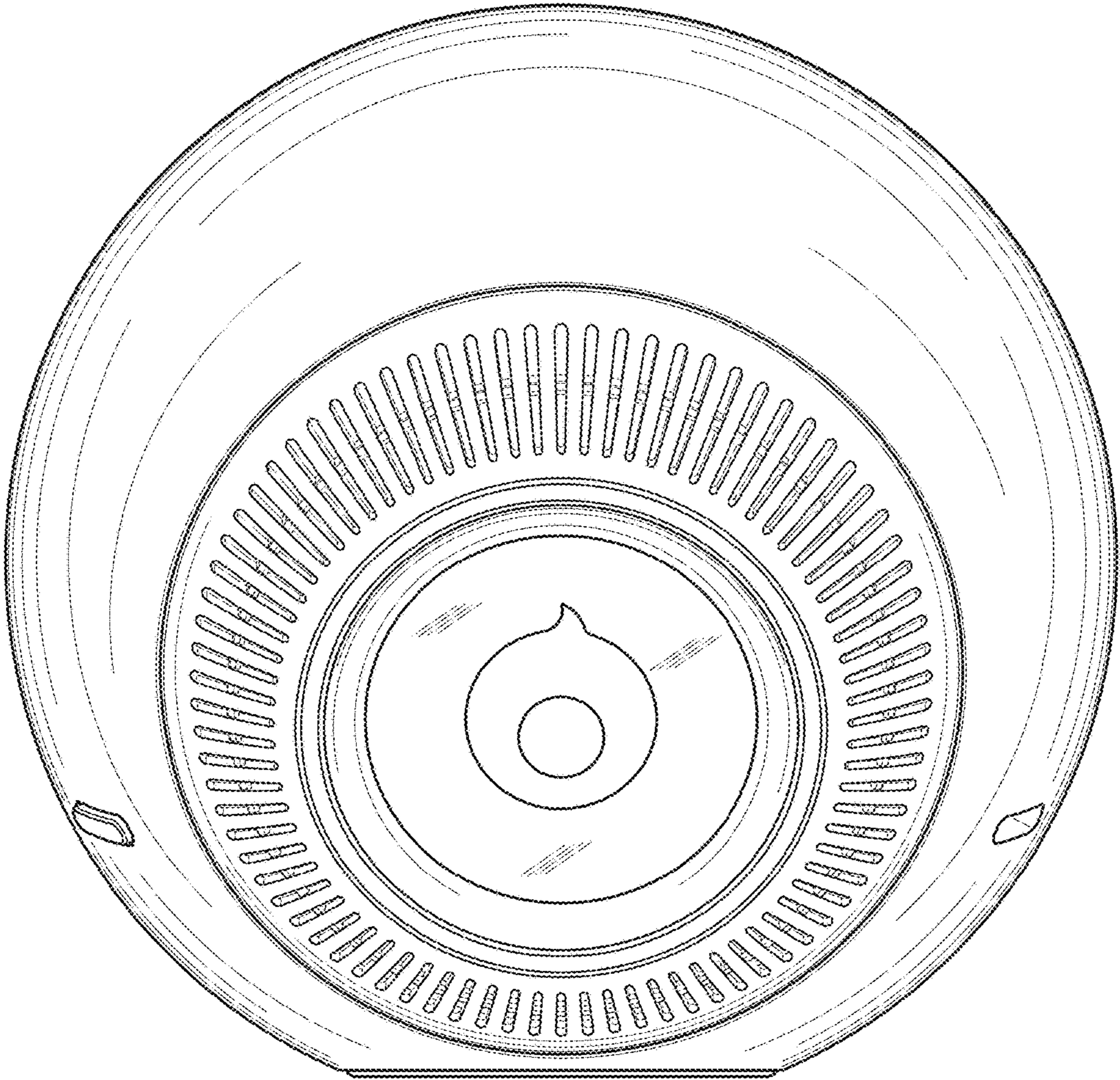


FIG. 4

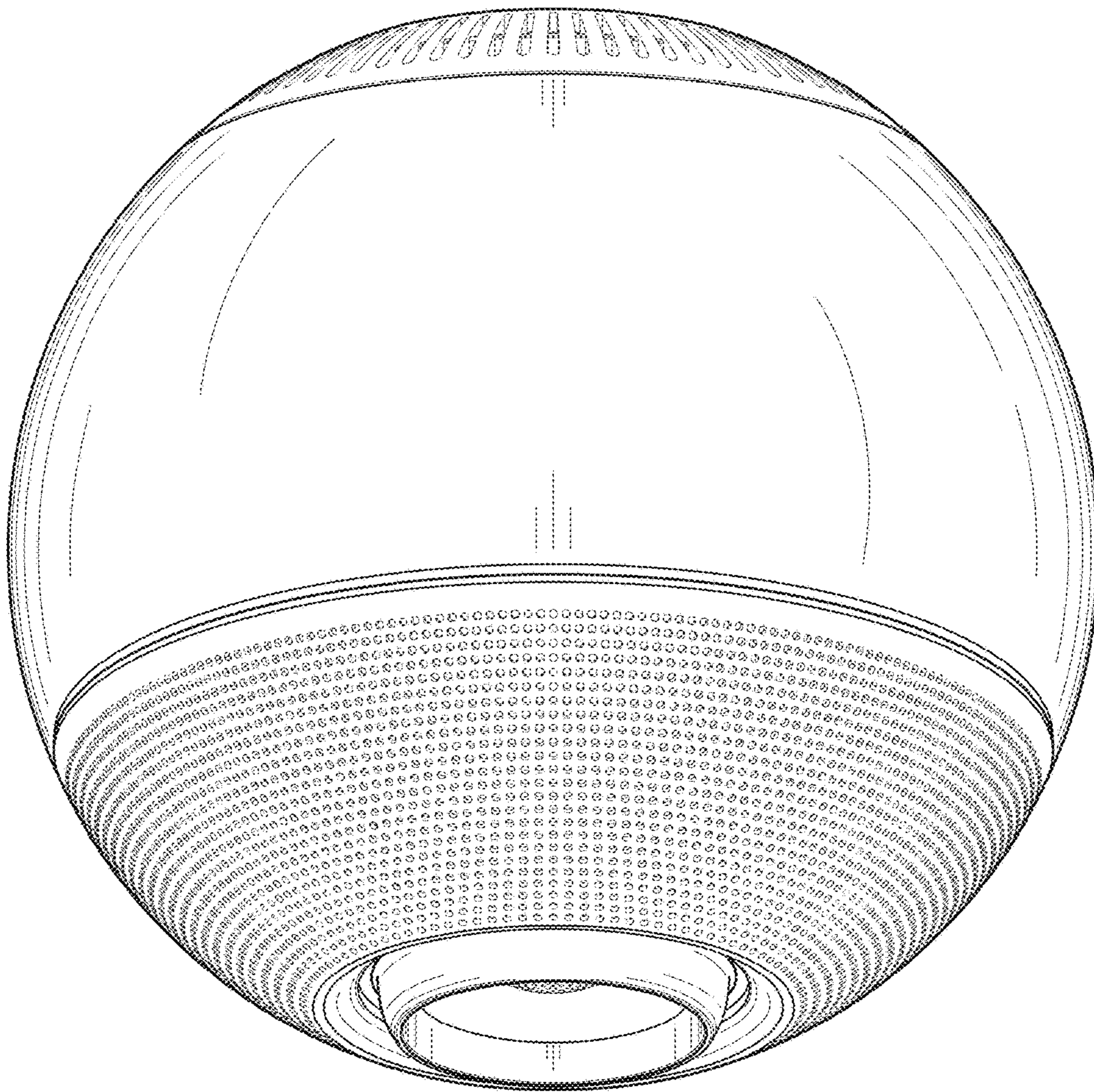


FIG. 5

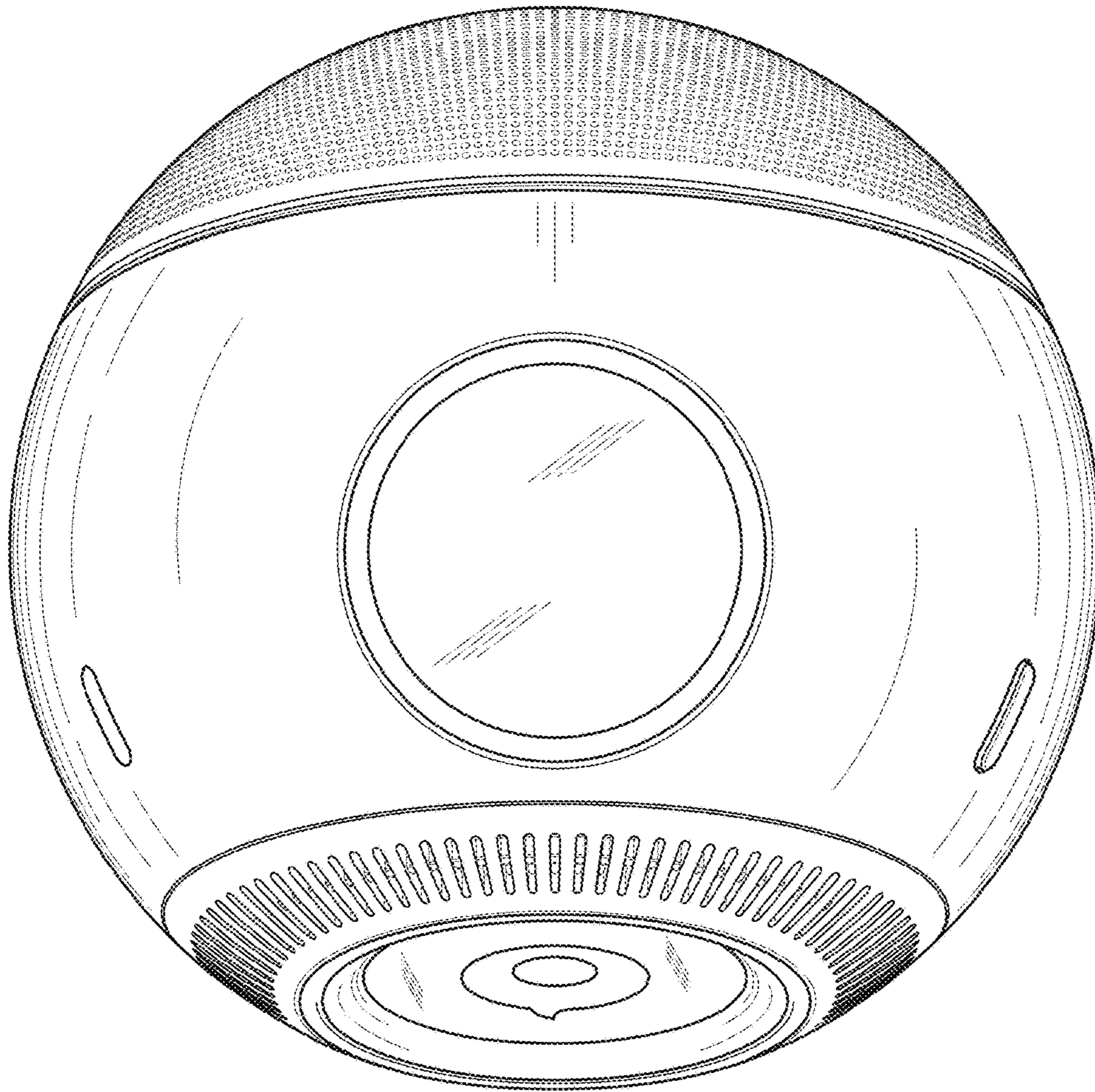


FIG. 6

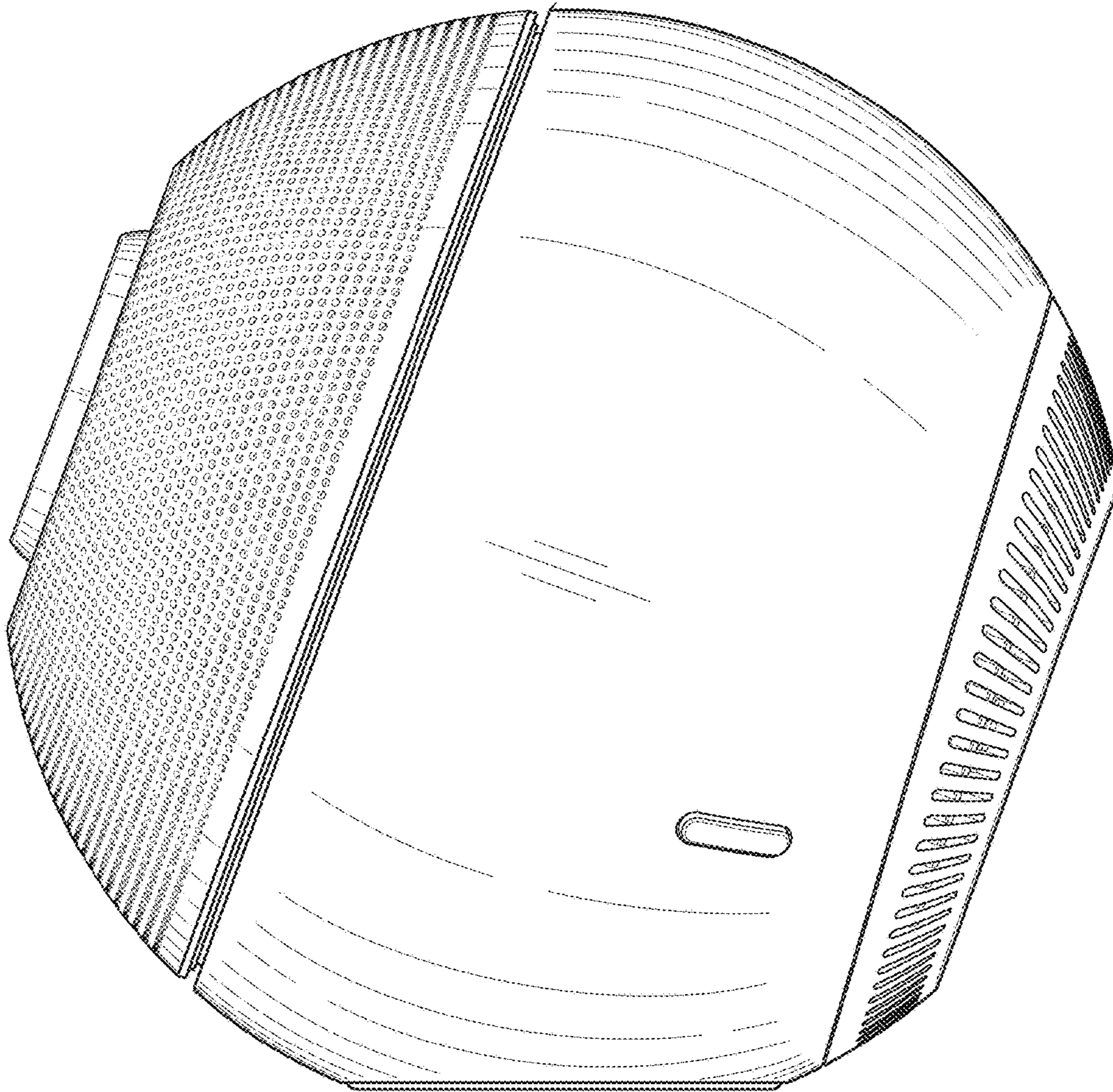


FIG. 7

