



US00D793362S

(12) **United States Design Patent** (10) **Patent No.:** **US D793,362 S**
Fischer (45) **Date of Patent:** **** Aug. 1, 2017**

(54) **LOUDSPEAKER**
(71) Applicant: **Harman International Industries, Incorporated**, Northridge, CA (US)
(72) Inventor: **Joshua Fischer**, Shenzhen (CN)
(73) Assignee: **Harman International Industries, Incorporated**, Northridge, CA (US)
(**) Term: **15 Years**
(21) Appl. No.: **29/554,557**
(22) Filed: **Feb. 12, 2016**

D532,408 S * 11/2006 Kita D14/126
D540,275 S * 4/2007 Lewis D14/126
D540,310 S * 4/2007 Yuyama D14/214
D541,237 S * 4/2007 Kita D14/126
D587,237 S * 2/2009 Son D14/168
D589,519 S * 3/2009 Smith D14/461
D629,372 S * 12/2010 Lim D14/126
D631,866 S * 2/2011 Solland
D638,823 S * 5/2011 Schindler D14/214
D645,449 S * 9/2011 Kusuki D14/214
D646,242 S * 10/2011 Honda D14/126
D648,320 S * 11/2011 Kusuki D14/214
D655,274 S * 3/2012 McManigal D14/214
D655,690 S * 3/2012 Yagi D14/214

(Continued)

Related U.S. Application Data

(63) Continuation of application No. 29/538,502, filed on Sep. 3, 2015, now abandoned.
(51) **LOC (10) Cl.** **14-01**
(52) **U.S. Cl.**
USPC **D14/214**
(58) **Field of Classification Search**
USPC D14/214, 204, 239, 168, 172, 126, 496;
181/143, 144, 147, 148, 150, 153, 157,
181/198, 199; 381/300, 301, 302, 303,
381/306, 332, 333, 336, 345, 361, 362,
381/363, 364, 386-388
CPC H04R 1/02; H04R 5/00; H04R 9/06; G06F
1/16
See application file for complete search history.

References Cited

U.S. PATENT DOCUMENTS

5,125,606 A * 6/1992 Cassano A47B 21/0371
248/118
D472,542 S * 4/2003 Oikawa D14/172
D478,891 S * 8/2003 Hisatsune D14/211
D489,340 S * 5/2004 Honda D14/126
D508,910 S * 8/2005 Oikawa D14/214
D522,493 S * 6/2006 Tanaka D14/214

OTHER PUBLICATIONS

Official Action dated Sep. 5, 2016 from Japanese Design Application No. 2016-004739, with English translation. thereof.

(Continued)

Primary Examiner — Paula Greene

(74) *Attorney, Agent, or Firm* — Plumsea Law Group, LLC

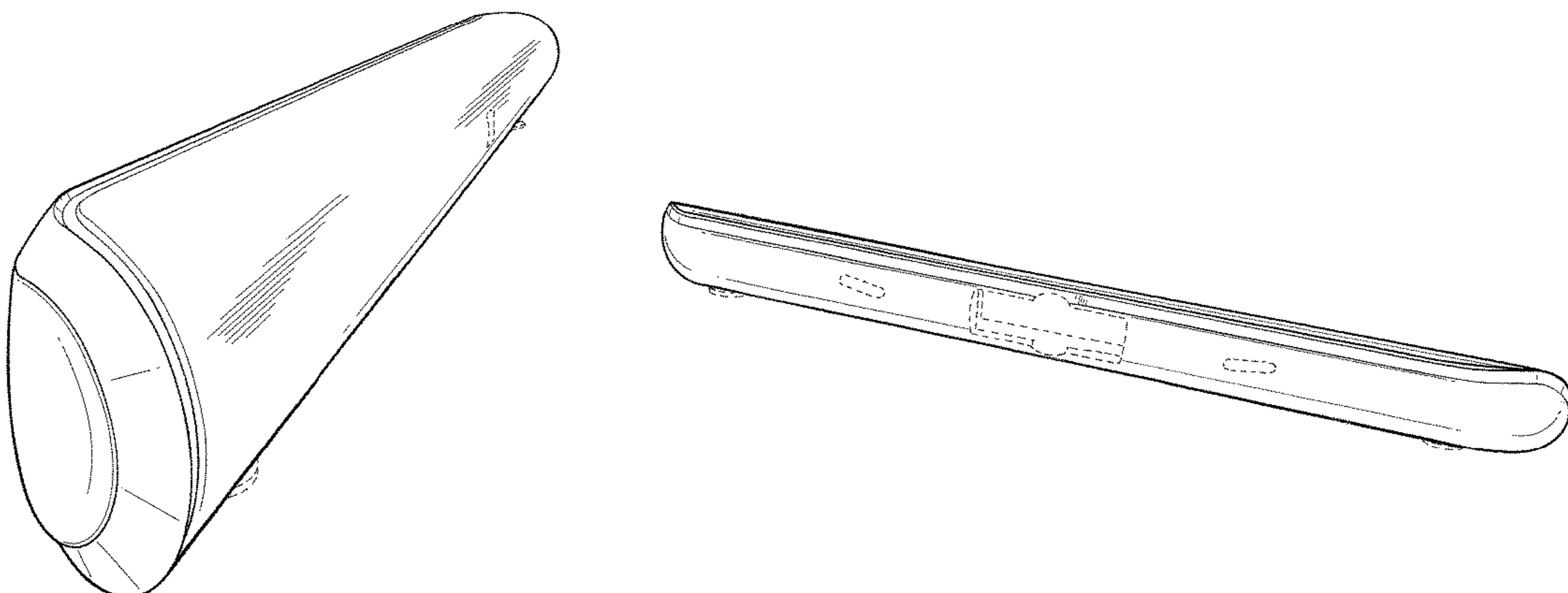
(57) **CLAIM**

The ornamental design for a loudspeaker, as shown and described.

DESCRIPTION

FIG. 1 is a perspective view of a loudspeaker showing my new design;
FIG. 2 is a front perspective view thereof;
FIG. 3 is a rear perspective view thereof;
FIG. 4 is a front elevational view thereof;
FIG. 5 is a top plan view thereof; and,
FIG. 6 is a side elevational view thereof, the opposite side elevational view being a mirror image thereof.
The broken lines depict environment and form no part of the claimed design.

1 Claim, 3 Drawing Sheets



(56)

References Cited

U.S. PATENT DOCUMENTS

D659,677 S * 5/2012 Kim D14/214
 D660,284 S * 5/2012 Carbone D14/214
 D669,883 S * 10/2012 Cheng D14/214
 D685,349 S * 7/2013 Ohno D14/221
 8,596,411 B2 * 12/2013 Liang H04M 1/03
 181/198
 D711,852 S 8/2014 Mackiewicz et al.
 D715,257 S * 10/2014 Son D14/214
 D715,769 S * 10/2014 McManigal D14/214
 D718,274 S * 11/2014 Shadovitz D14/209.1
 D718,737 S * 12/2014 Shadovitz D14/209.1
 D738,853 S * 9/2015 Savage D14/214
 D743,373 S * 11/2015 Kim D14/210
 D743,940 S * 11/2015 Yang D14/214
 D744,982 S * 12/2015 Kim D14/214
 D754,104 S 4/2016 Yoon et al.
 D754,629 S * 4/2016 Kim D14/204
 D756,961 S 5/2016 White et al.

D756,962 S 5/2016 White et al.
 D756,963 S 5/2016 White et al.
 D756,964 S 5/2016 White et al.
 D757,686 S 5/2016 White et al.
 D757,687 S 5/2016 White et al.
 D759,630 S * 6/2016 Huang D14/214
 D761,231 S * 7/2016 Kim D14/214
 9,469,254 B1 10/2016 White et al.
 D774,491 S * 12/2016 Kim D14/214
 D780,140 S * 2/2017 Kim D14/126

OTHER PUBLICATIONS

JBL Cinema SB350, Sep. 4, 2014 Press Release, <<<http://investor.harman.com/releasedetail.cfm?releaseid=869074>>>.
 JBL Cinema SB250, Sep. 3, 2015 Press Release, <<<http://investor.harman.com/releasedetail.cfm?releaseid=930169>>>.
 Design U.S. Appl. No. 29/566,776, filed Jun. 2, 2016.

* cited by examiner

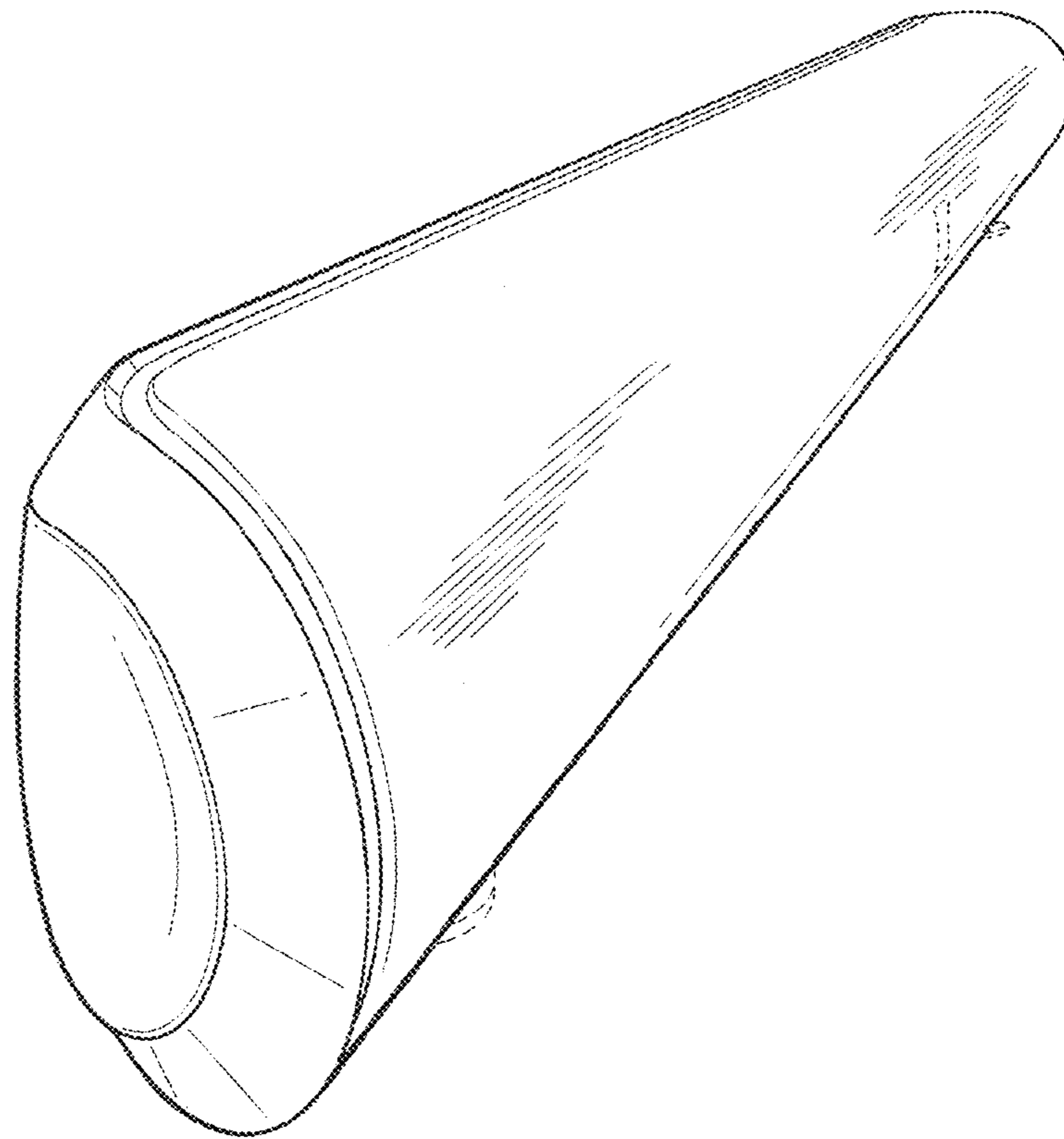


FIG. 1

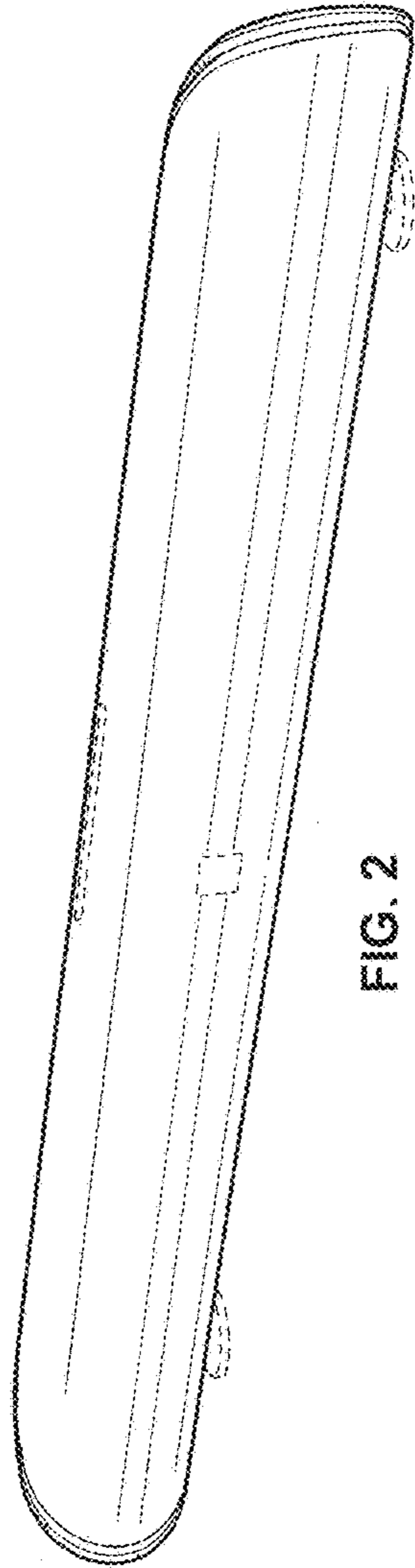


FIG. 2

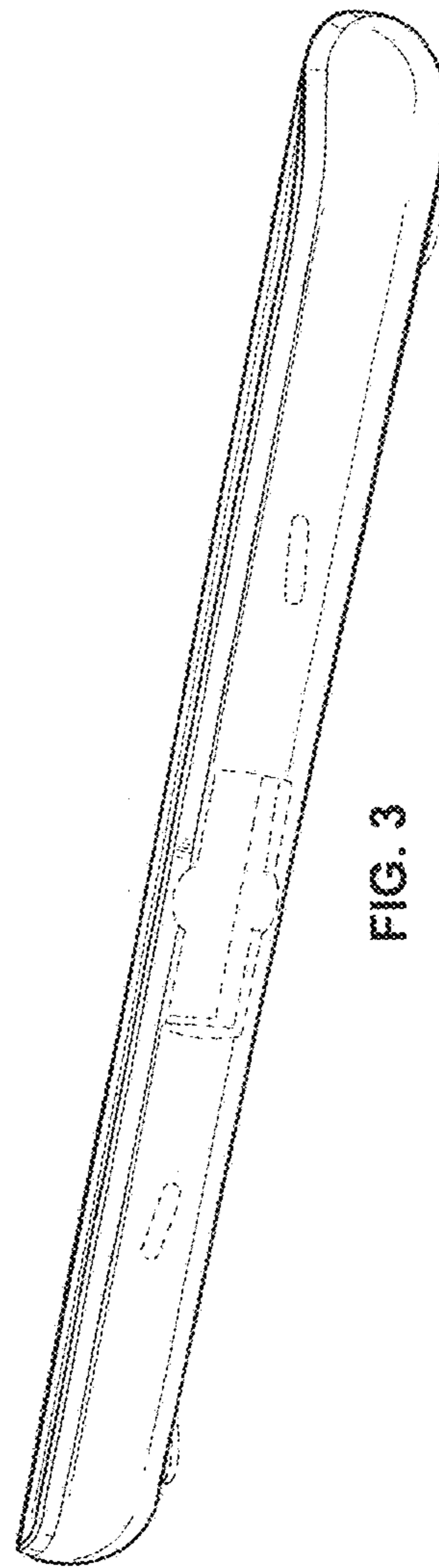


FIG. 3

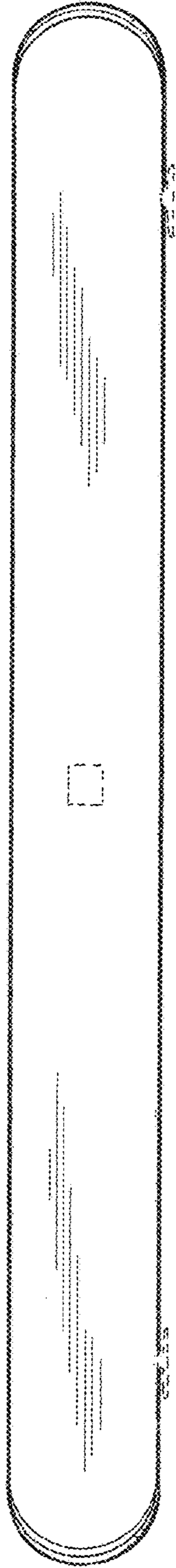


FIG. 4

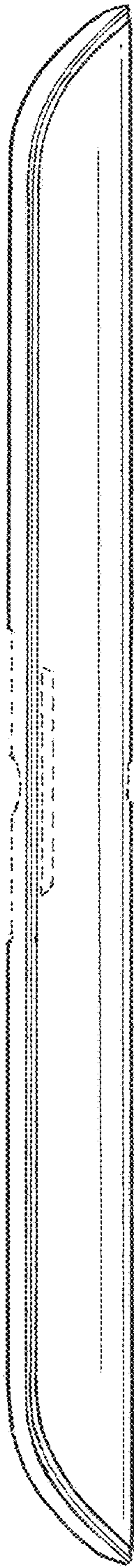


FIG. 5

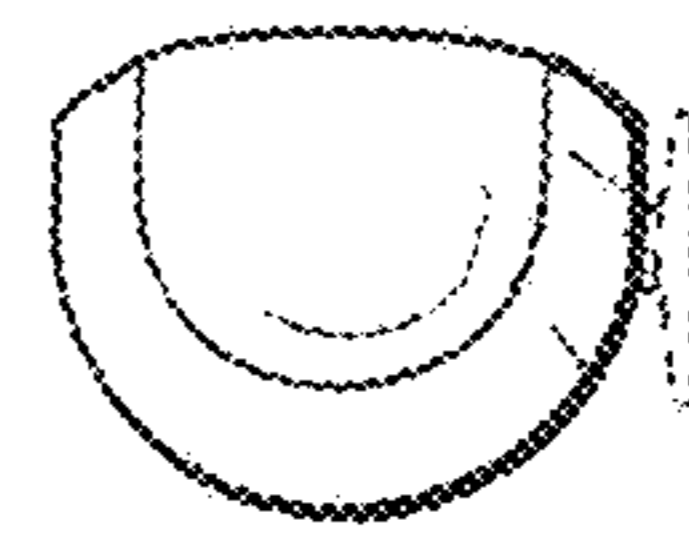


FIG. 6