



US00D793360S

(12) **United States Design Patent** (10) **Patent No.:** **US D793,360 S**
Birger (45) **Date of Patent:** **** Aug. 1, 2017**

- (54) **HEADSET**
- (71) Applicant: **GN Netcom A/S**, Ballerup (DK)
- (72) Inventor: **Johan Birger**, Ballerup (DK)
- (73) Assignee: **GN Netcom A/S** (DK)
- (**) Term: **15 Years**
- (21) Appl. No.: **29/562,630**
- (22) Filed: **Apr. 27, 2016**

5,210,792 A	5/1993	Kajihara	
5,414,769 A	5/1995	Gathey	
D395,653 S	6/1998	Read	
D441,739 S	5/2001	Hayes	
6,396,935 B1	5/2002	Makkonen	
D470,129 S	2/2003	Hilas	
D480,073 S	9/2003	Jensen	
6,658,125 B1 *	12/2003	Batting	H04R 25/602 381/322
D490,398 S *	5/2004	Gwee	D14/205
D501,196 S	1/2005	Dyer	
D506,462 S	6/2005	Han	
D512,984 S *	12/2005	Ham	D14/205
D518,473 S *	4/2006	Gwee	D14/205
D518,816 S	4/2006	Naito	
D543,968 S	6/2007	Wong	
7,231,056 B2	6/2007	Chen	
D571,784 S *	6/2008	Jensen	D14/205

Related U.S. Application Data

- (62) Division of application No. 29/502,501, filed on Sep. 17, 2014, now Pat. No. Des. 755,159.

Foreign Application Priority Data

- Apr. 4, 2014 (EM) 002440172-0001

- (51) **LOC (10) Cl.** **14-01**
- (52) **U.S. Cl.**
USPC **D14/206**

- (58) **Field of Classification Search**
USPC D14/206, 205, 223; D24/174; 181/129,
181/130, 135; 379/430, 431; 381/330,
381/370, 374, 379, 380, 381
CPC H04R 1/10; H04R 1/1066; H04R 1/105;
H04R 1/1016; H04R 5/033; H04R 5/0335
See application file for complete search history.

(56) **References Cited**

U.S. PATENT DOCUMENTS

4,090,042 A	5/1978	Larkin
4,118,606 A	10/1978	Larkin
4,617,431 A	10/1986	Scott
4,917,504 A	4/1990	Scott
4,926,961 A	5/1990	Gathey
D326,268 S	5/1992	Le Tixerant

Primary Examiner — Paula Greene

(74) *Attorney, Agent, or Firm* — Altera Law Group, LLC

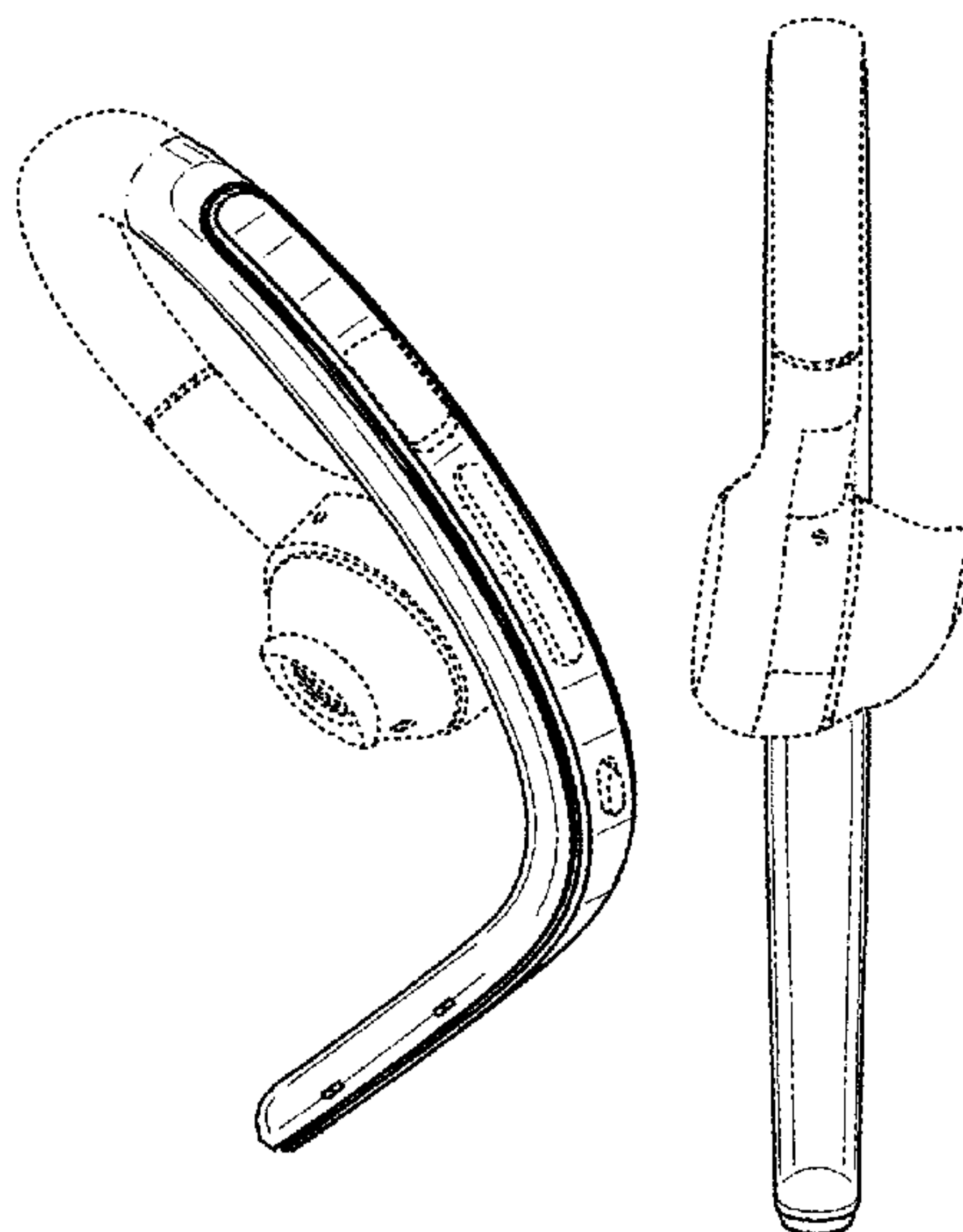
(57) **CLAIM**

The ornamental design for a headset, as shown and described.

DESCRIPTION

FIG. 1 is a front perspective view of a headset showing my new design;
 FIG. 2 is another perspective view thereof;
 FIG. 3 is a right side elevational view thereof;
 FIG. 4 is a left side elevational view thereof;
 FIG. 5 is a front elevational view thereof;
 FIG. 6 is a back elevational view thereof;
 FIG. 7 is a top plan view thereof; and,
 FIG. 8 is a bottom plan view thereof.
 The broken lines immediately adjacent the shaded areas represent the bounds of the claimed design while all other broken lines are directed to environment that forms no part of the claimed design.

1 Claim, 4 Drawing Sheets



(56)

References Cited

U.S. PATENT DOCUMENTS

D579,567	S *	10/2008	Pedersen	D24/174
D584,719	S *	1/2009	Brennwald	D14/205
D603,372	S *	11/2009	Bentley	D14/206
D608,449	S *	1/2010	Cano, Jr.	D24/174
D612,834	S *	3/2010	Yang	D14/206
D612,840	S *	3/2010	Yang	D14/206
D647,877	S *	11/2011	Son	D14/206
D651,197	S *	12/2011	Birger	D14/223
8,265,328	B2 *	9/2012	Milde	H04R 1/1066 381/370
D671,915	S	12/2012	Birger	
D681,002	S *	4/2013	Ham	D14/205
D681,003	S *	4/2013	Ham	D14/206
D681,014	S *	4/2013	Ham	D14/206
D746,260	S *	12/2015	Goransson	D14/206
D755,159	S *	5/2016	Birger	D14/206
2011/0268304	A1 *	11/2011	Ang	H04R 25/02 381/330
2013/0010997	A1 *	1/2013	Tanaka	A61B 5/01 381/380

* cited by examiner

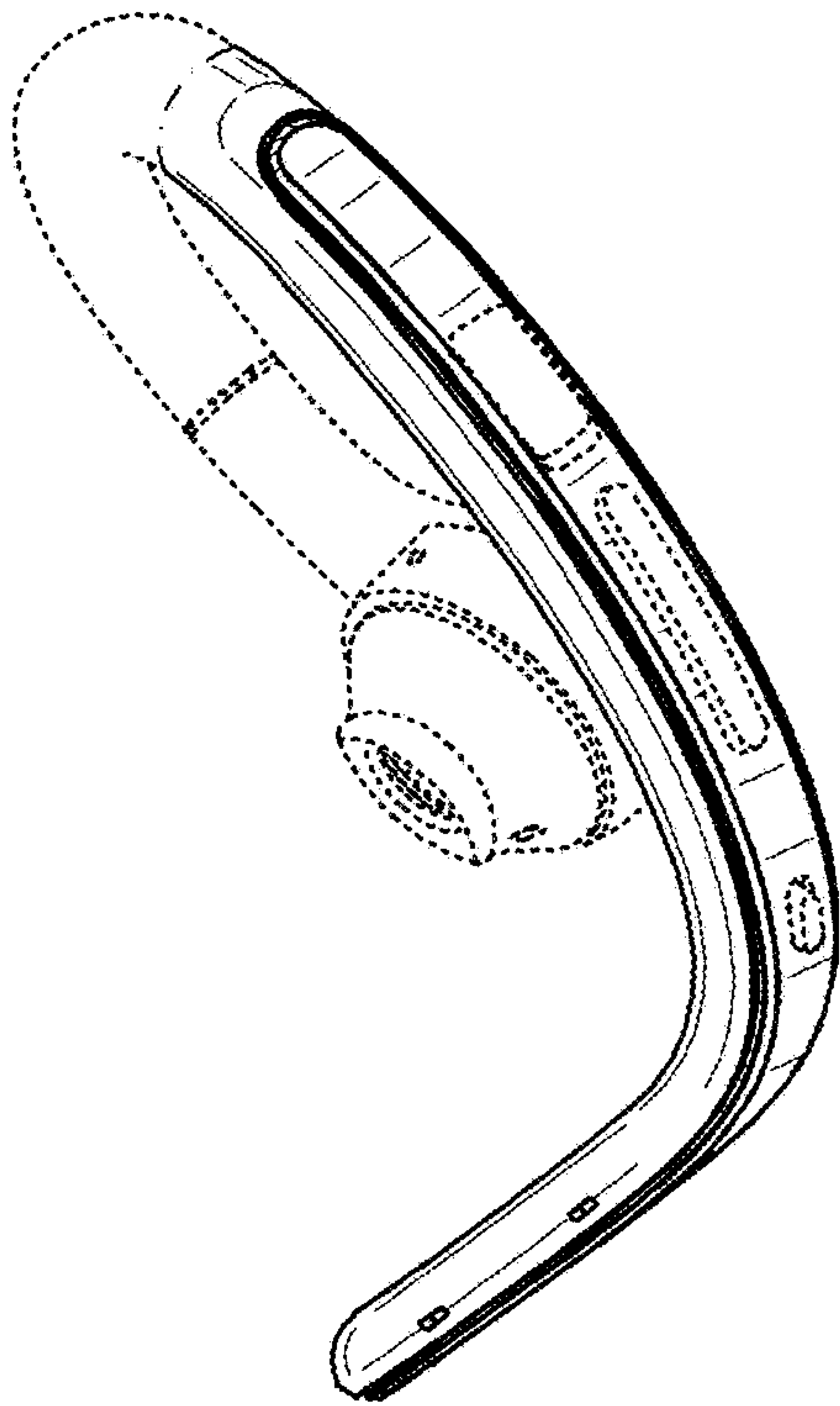


FIG. 1

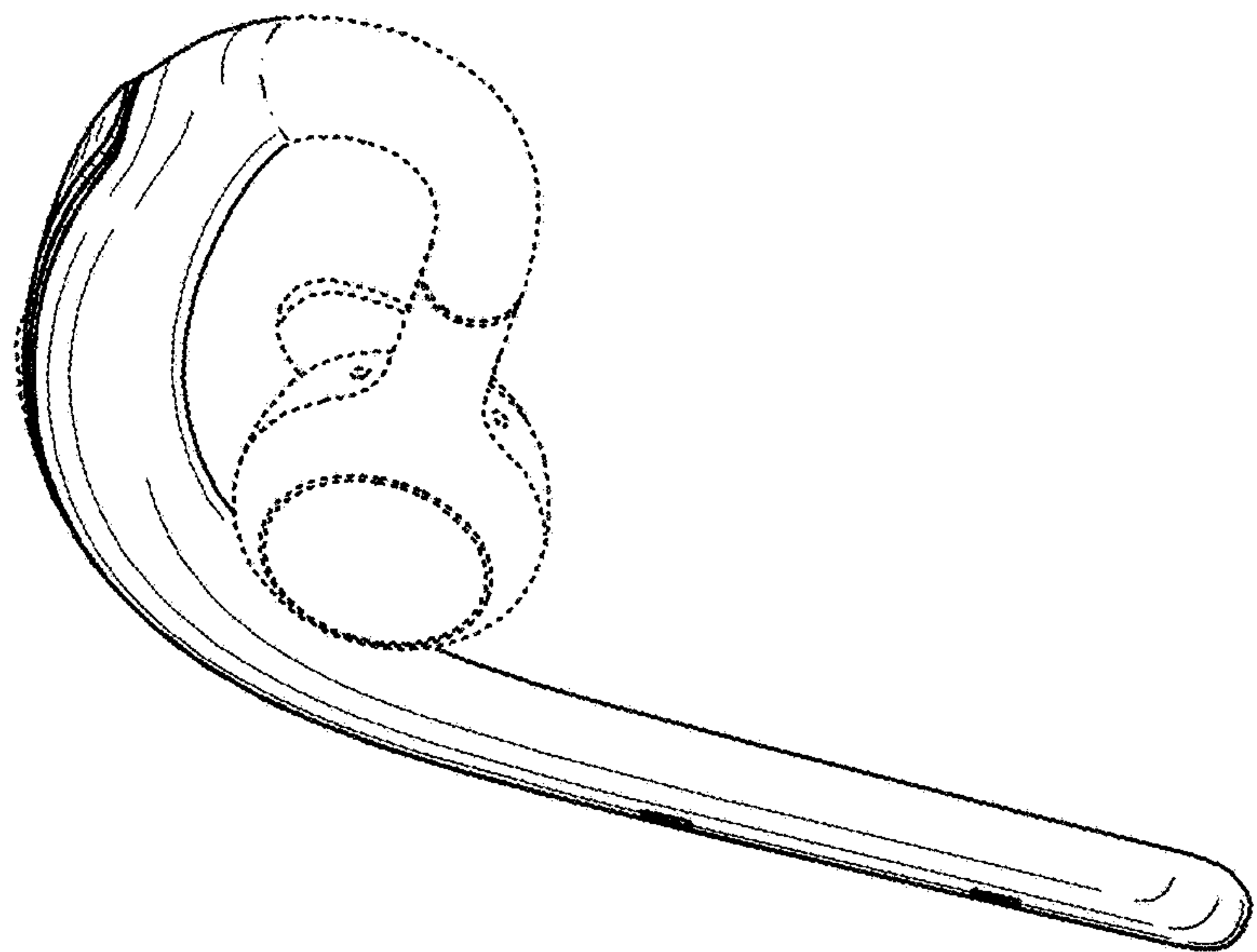


FIG. 2

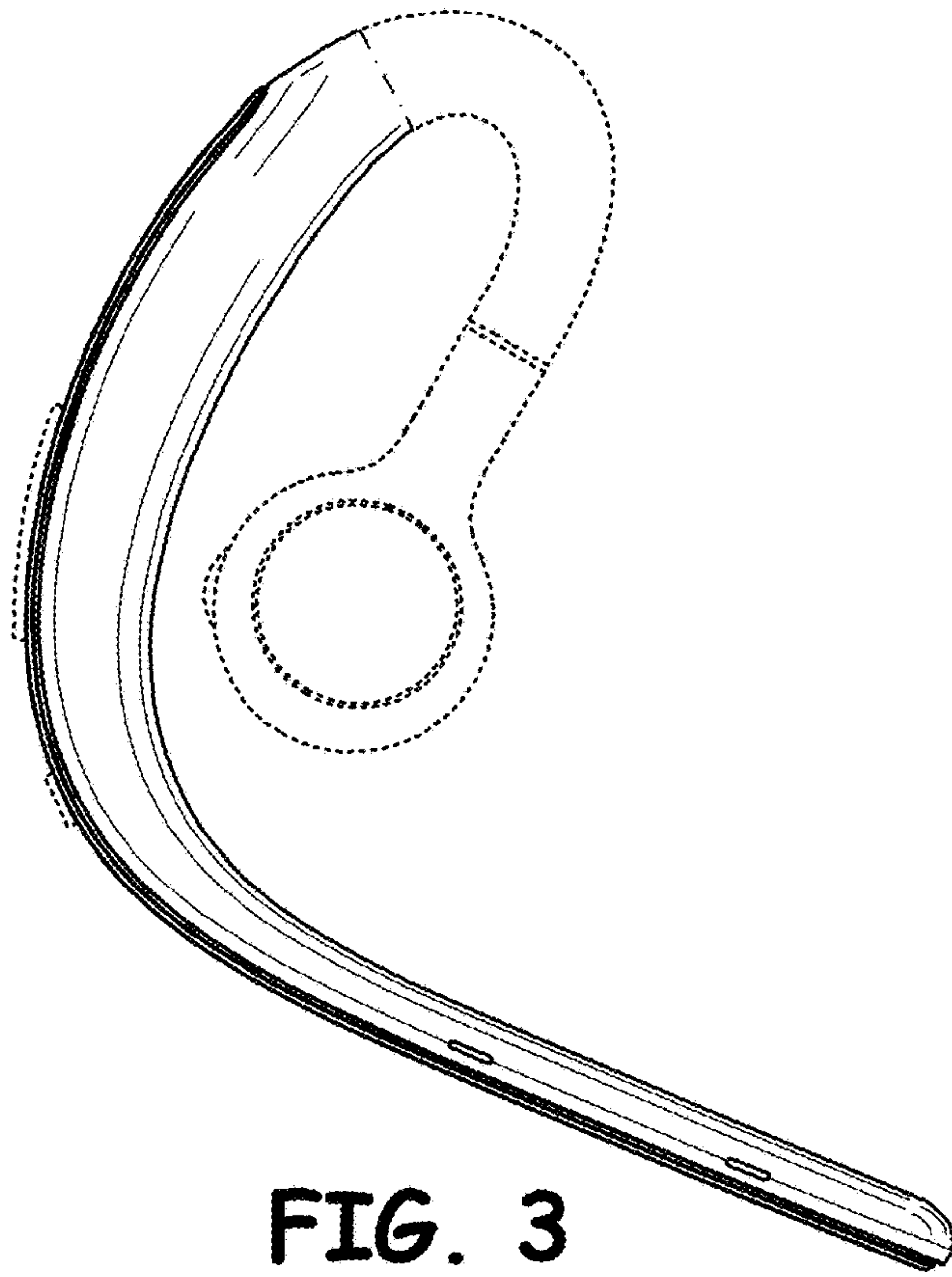


FIG. 3

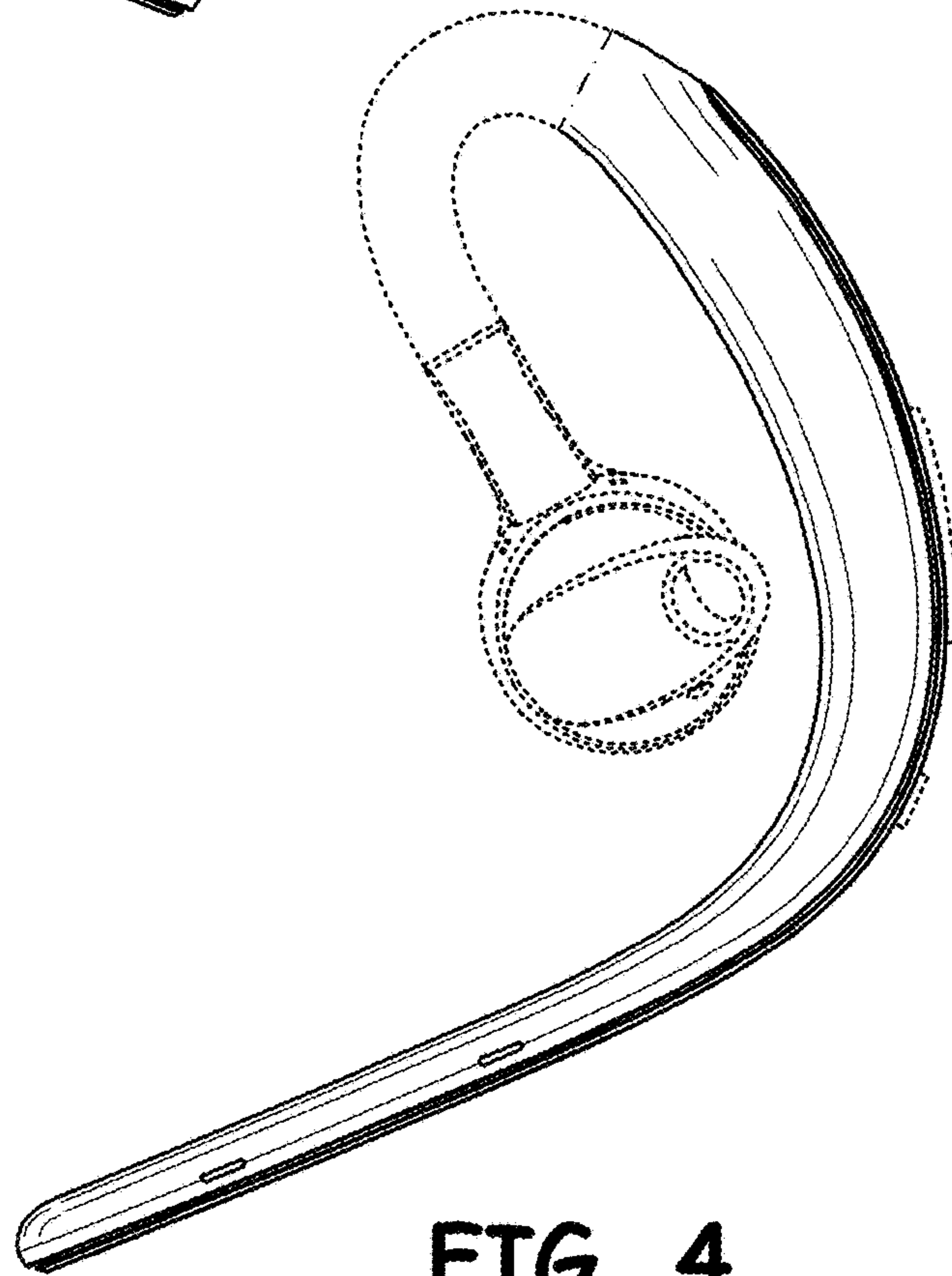


FIG. 4

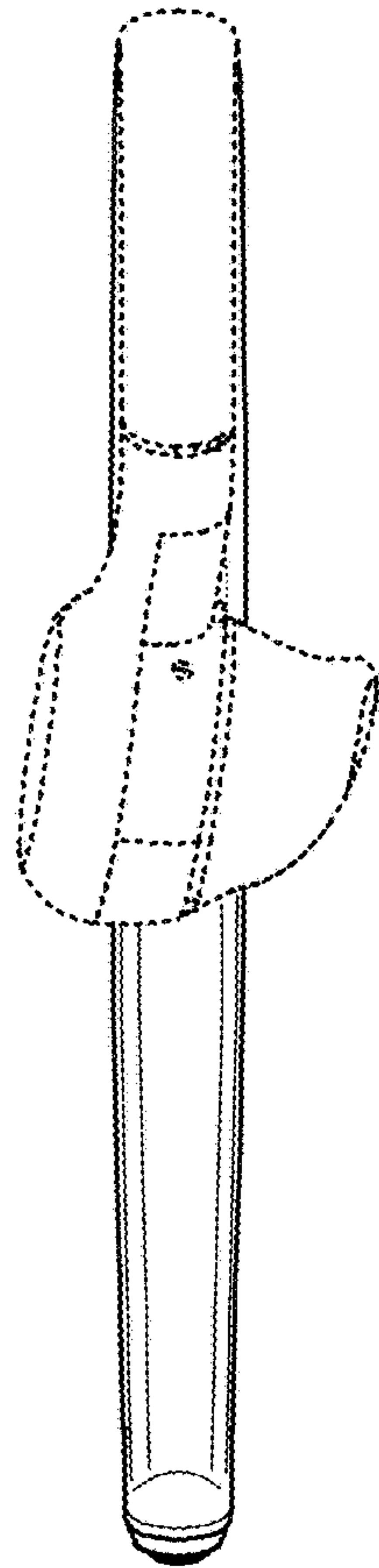


FIG. 5

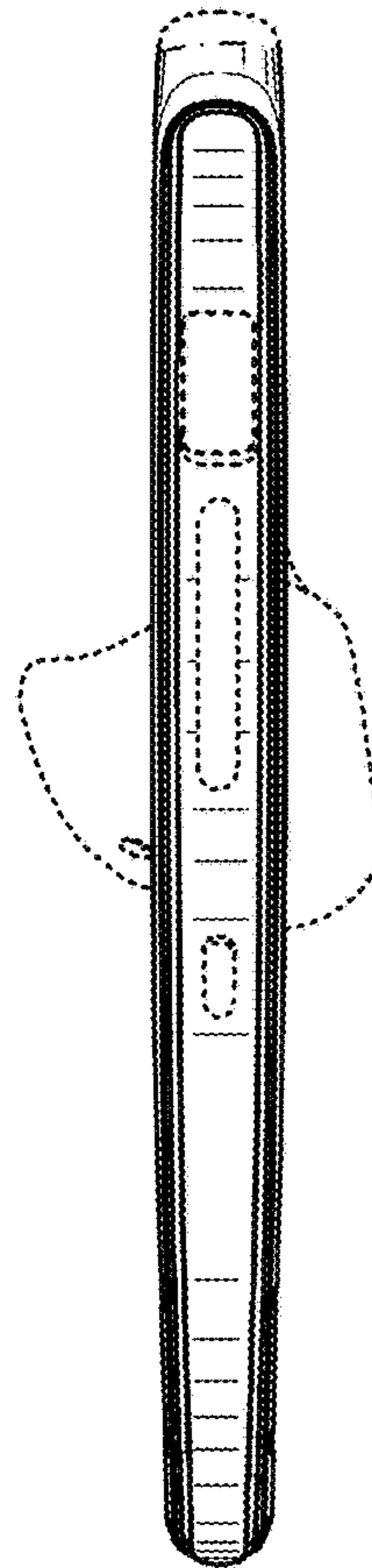


FIG. 6

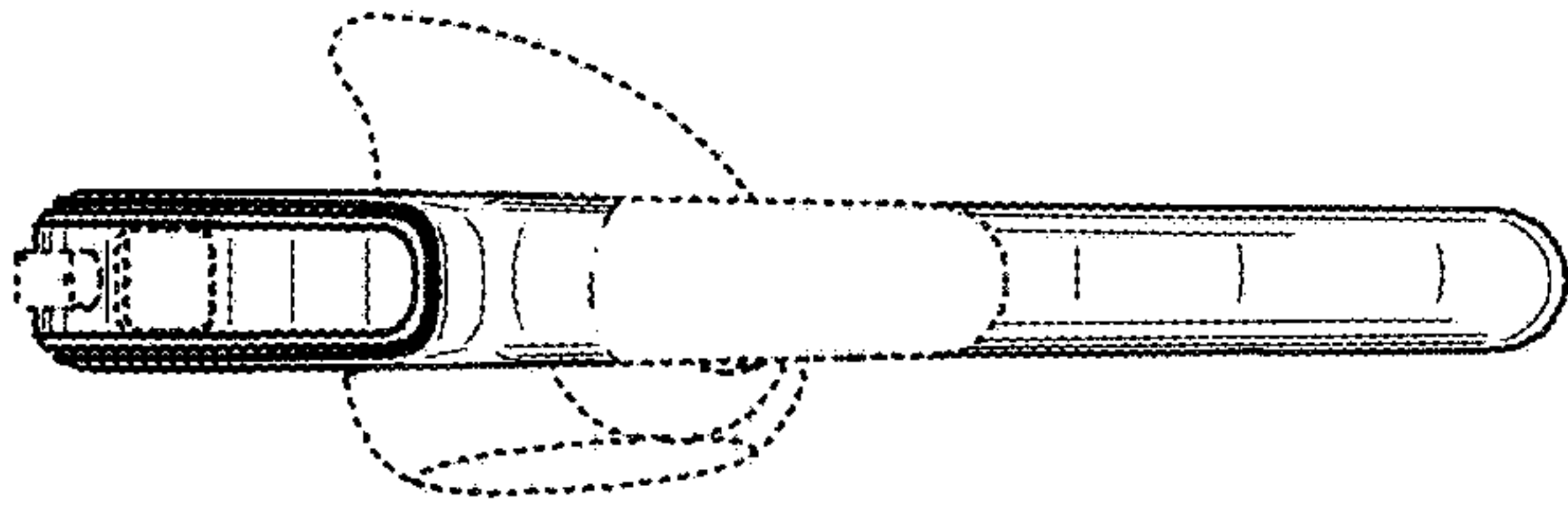


FIG. 7

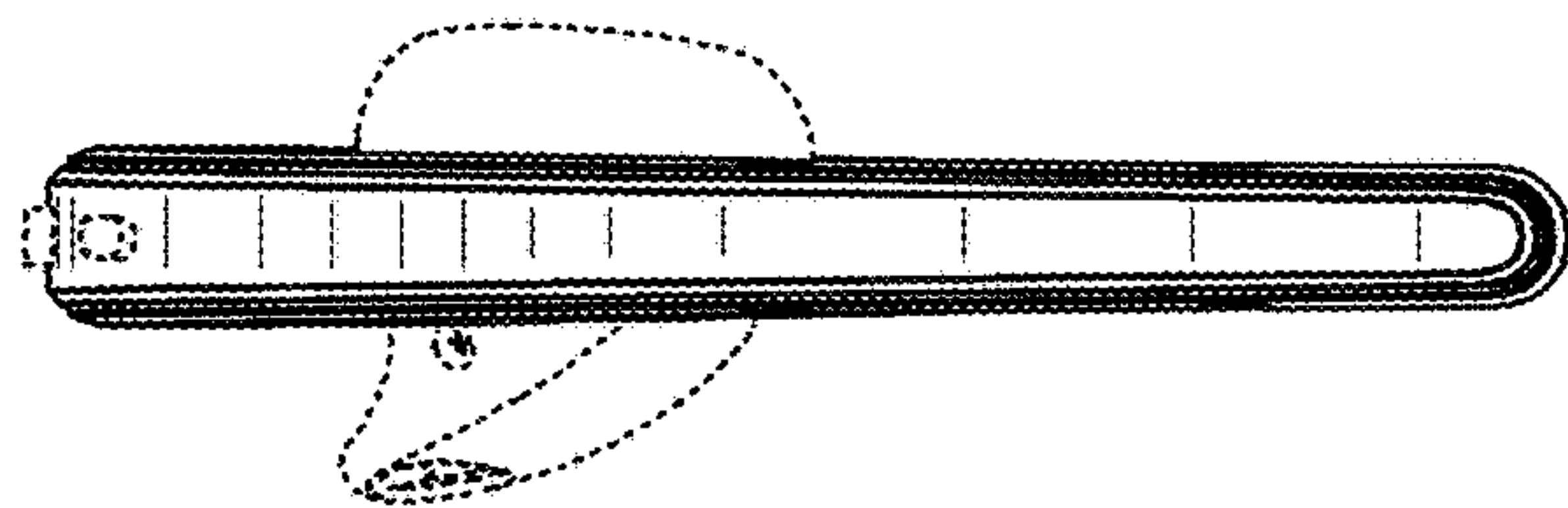


FIG. 8