



US00D793359S

(12) **United States Design Patent**
Katopis

(10) **Patent No.:** **US D793,359 S**

(45) **Date of Patent:** **** Aug. 1, 2017**

(54) **PORTION OF AN ADJUSTABLE HEADSET FOR AN ELECTRONIC DEVICE**

(71) Applicant: **Chris J. Katopis**, Washington, DC (US)

(72) Inventor: **Chris J. Katopis**, Washington, DC (US)

(**) Term: **15 Years**

(21) Appl. No.: **29/563,795**

(22) Filed: **May 8, 2016**

(51) **LOC (10) Cl.** **14-01**

(52) **U.S. Cl.**
USPC **D14/205**

(58) **Field of Classification Search**
USPC D14/205, 206, 188, 192; D29/112; 2/209; D11/19, 3, 21, 25, 93, 94; D28/41, 43, 38, 73, 10; 181/129, 130, 181/135; 379/430, 431, 370, 375; 381/74, 380, 381, 374, 375, 370, 384, 381/398, 383, 378, 151; 455/575.2, 90.3, 455/569.1; 59/80; 24/71 J; 63/5.1, 3.2; 428/28, 102
CPC A44C 5/00; A44C 5/0084; F16G 13/00; H04R 1/1066; H04R 1/1016; H04R 5/033; H04R 5/0335; H04R 1/10; H04R 25/00

See application file for complete search history.

(56) **References Cited**

U.S. PATENT DOCUMENTS

496,123 A 4/1893 Keuffel
893,035 A 7/1908 Turner
991,583 A 5/1911 Williams
1,007,373 A 10/1911 Moeller
1,012,244 A * 12/1911 Cammett A42B 1/22 2/181.4
1,118,230 A 11/1914 Preusse

1,277,270 A 8/1918 Sunden
1,379,090 A 5/1921 Englund
1,550,944 A 8/1925 Beidler
1,591,791 A 7/1926 Sprout
1,814,231 A 1/1927 Cosgrove
D74,581 S * 2/1928 Stern D11/25
1,692,434 A * 11/1928 Candas A44C 5/102 59/80
1,718,867 A * 6/1929 Mahlmann A61F 9/045 2/12
1,735,384 A * 11/1929 Fielding A44C 5/02 59/80

(Continued)

OTHER PUBLICATIONS

“Sony Dictation Compact Folding Stereo Headset,” [retrieved May 8, 2016]<URL: www.aroundtheoffice.com/Sont-Dicttaion-Compact-Folding-Stereo-Headset/productinfo/HS-SON-009-Folding/>.

Primary Examiner — Paula Greene

(74) *Attorney, Agent, or Firm* — Chris J. Katopis

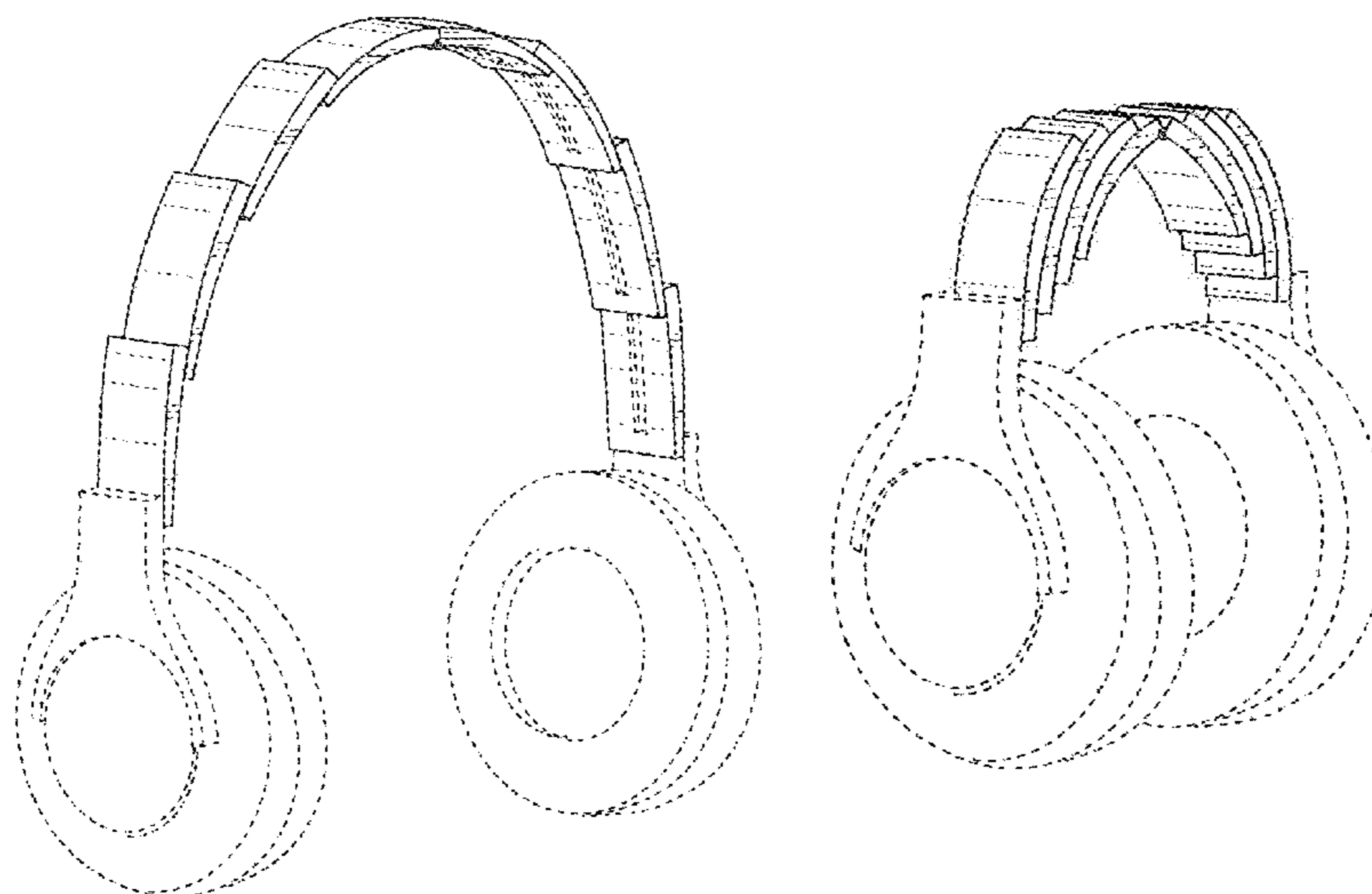
(57) **CLAIM**

The ornamental design for portion of an adjustable headset for an electronic device, as shown and described.

DESCRIPTION

FIG. 1 is a front perspective view of a portion of an adjustable headset for an electronic device showing my new design, in an open position;
FIG. 2 is a front view thereof;
FIG. 3 is a side view thereof;
FIG. 4 is a top plan view thereof;
FIG. 5 is a bottom plan view thereof; and,
FIG. 6 is a front perspective view thereof in an alternate folded closed position.
The broken line portions shown in FIGS. 1 through 7 illustrate environmental subject matter only and form no part of the claimed design.

1 Claim, 5 Drawing Sheets



(56)

References Cited

U.S. PATENT DOCUMENTS

1,750,786 A *	3/1930	Roy	A44C 5/02 24/265 B	5,793,865 A *	8/1998	Leifer	H04M 1/05 379/430
2,025,398 A	12/1935	Pocock		5,987,640 A *	11/1999	Ryder	G02C 3/02 2/10
2,232,196 A	2/1941	Anderson		6,016,574 A *	1/2000	Chen	A45D 8/36 128/866
2,322,461 A *	6/1943	Mariano	A44C 5/00 40/118	D459,674 S *	7/2002	Razza	D11/39
2,360,027 A	10/1944	Werner		D493,163 S	7/2004	Kay	
2,417,616 A *	3/1947	Ryniker	A42C 5/02 2/181.8	D501,844 S	2/2005	Hirano	
D154,832 S *	8/1949	Anderson	D11/25	D517,527 S	3/2006	Suzuki	
2,526,134 A *	10/1950	Henry	A44C 17/007 428/28	D518,024 S	3/2006	Liow et al.	
D168,764 S *	2/1953	Rodriguez	D11/25	D518,474 S	4/2006	Suzuki	
2,801,423 A	8/1957	Shaw		D534,156 S	12/2006	Obata	
2,874,387 A *	2/1959	Bannister	A42B 1/062 2/10	D541,257 S	4/2007	Thursfield	
3,026,525 A *	3/1962	Gyorfy	A42B 3/225 2/202	D587,242 S	2/2009	Suzuki	
3,026,670 A *	3/1962	Burkhardt	A44C 5/107 59/82	7,726,839 B2	6/2010	Chien	
3,082,595 A	3/1963	Dodinat		D636,377 S	4/2011	Morisawa	
3,179,954 A	4/1965	Weitzner		D637,579 S	5/2011	Hamnura et al.	
D254,198 S *	2/1980	Hardy	D11/20	D639,775 S	6/2011	Horibe et al.	
D254,845 S *	4/1980	Young	D11/19	D658,156 S	4/2012	Olodort et al.	
4,243,851 A	1/1981	Forney		D662,912 S *	7/2012	Iijima	D14/205
4,358,875 A *	11/1982	Solomon	A44C 5/2076 224/175	D664,116 S	7/2012	Hutchieson	
4,409,442 A *	10/1983	Kamimura	H04R 5/0335 381/370	D668,815 S	10/2012	Hsu	
4,422,253 A *	12/1983	Babberl	G09F 19/14 40/437	D672,745 S *	12/2012	Abed	D14/205
4,484,029 A	11/1984	Kenney		D673,136 S *	12/2012	Kelly	D14/205
D287,008 S	12/1986	Tragatschnig		8,363,877 B2 *	1/2013	Morisawa	H04R 1/1066 2/209
D299,025 S	12/1988	Besasie		D676,601 S	2/2013	Chen	
D317,610 S	6/1991	Jahnke		D683,715 S	6/2013	Triato et al.	
5,081,852 A *	1/1992	Cox	A44C 5/0084 63/3	D684,139 S	6/2013	Miyake et al.	
D324,434 S *	3/1992	Walker	D28/41	D686,592 S	7/2013	Gondo	
5,113,428 A *	5/1992	Fitzgerald	H04B 1/3816 379/430	D693,793 S	11/2013	Kelly et al.	
D327,661 S *	7/1992	Cowan	D11/19	8,593,374 B2 *	11/2013	Kato	H04R 1/028 345/7
D336,646 S	6/1993	Yamazaki		D696,228 S	12/2013	Miyake et al.	
D340,871 S *	11/1993	Iwamura	D10/125	D707,200 S *	6/2014	Yang	H04R 1/1066 D14/205
5,271,984 A *	12/1993	Johnson	D04D 9/04 112/417	D717,276 S	11/2014	Zhou	
D358,389 S	5/1995	Isono		D717,685 S *	11/2014	Bailey	D11/3
D388,436 S	12/1997	Segan et al.		D737,830 S	9/2015	Katopis	
				D752,543 S *	3/2016	Katopis	D14/205
				9,344,794 B1 *	5/2016	Blonder	H04R 1/1066
				D758,240 S *	6/2016	Dhanani	D11/90
				D781,101 S *	3/2017	Barber	D7/391
				2003/0037366 A1	2/2003	Lindgren	
				2003/0210801 A1	11/2003	Naksen	
				2006/0119539 A1 *	6/2006	Kato	G02B 27/0176 345/8
				2014/0023222 A1 *	1/2014	Ito	H04R 1/105 381/379

* cited by examiner

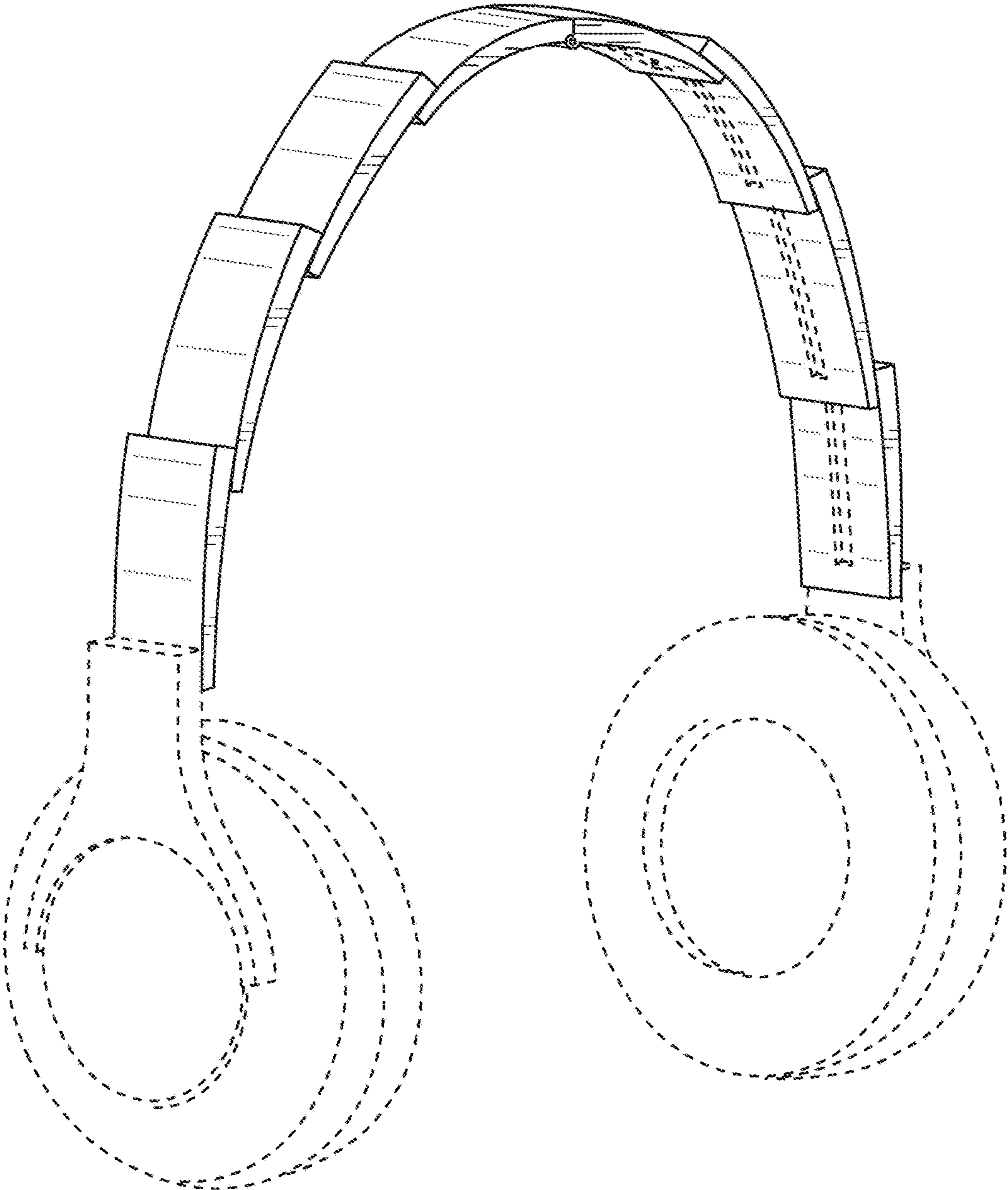


FIG. 1

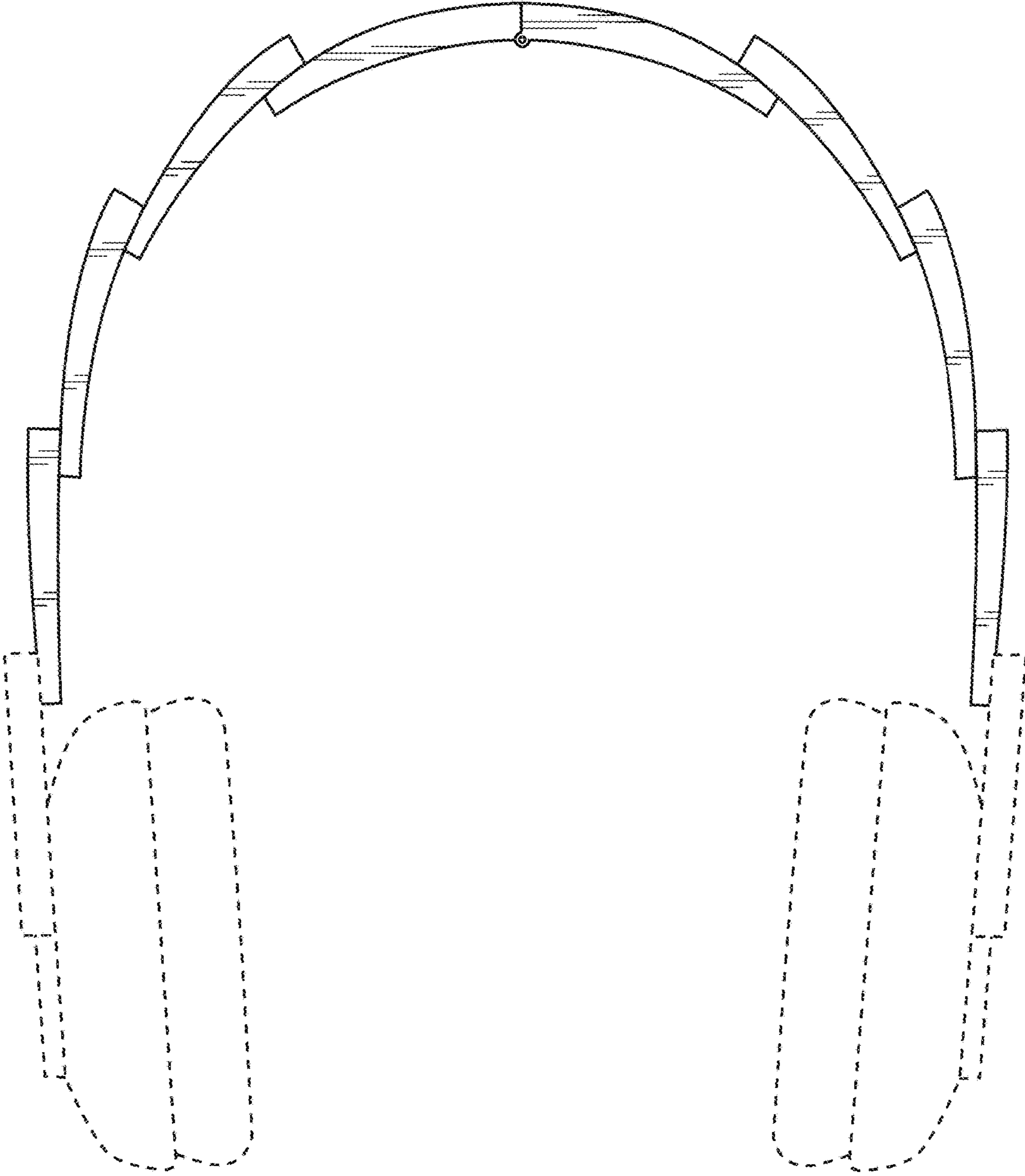


FIG. 2

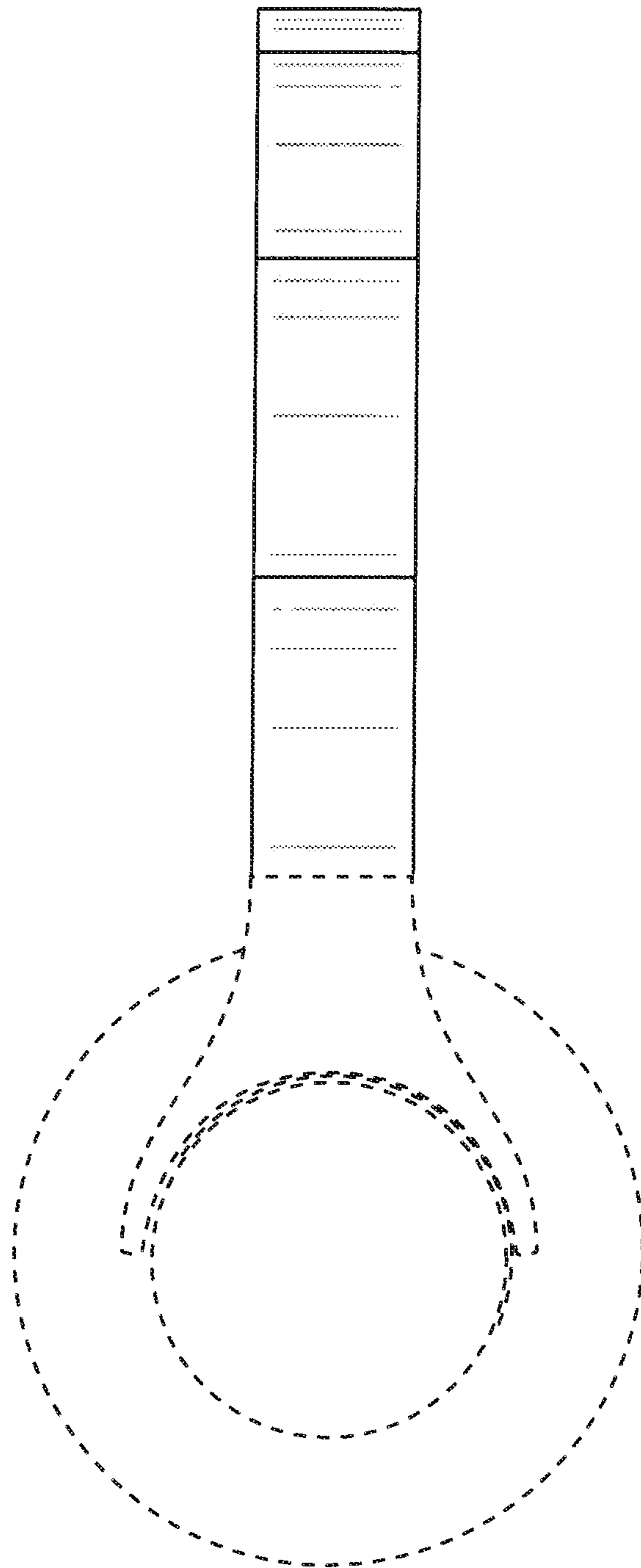


FIG. 3

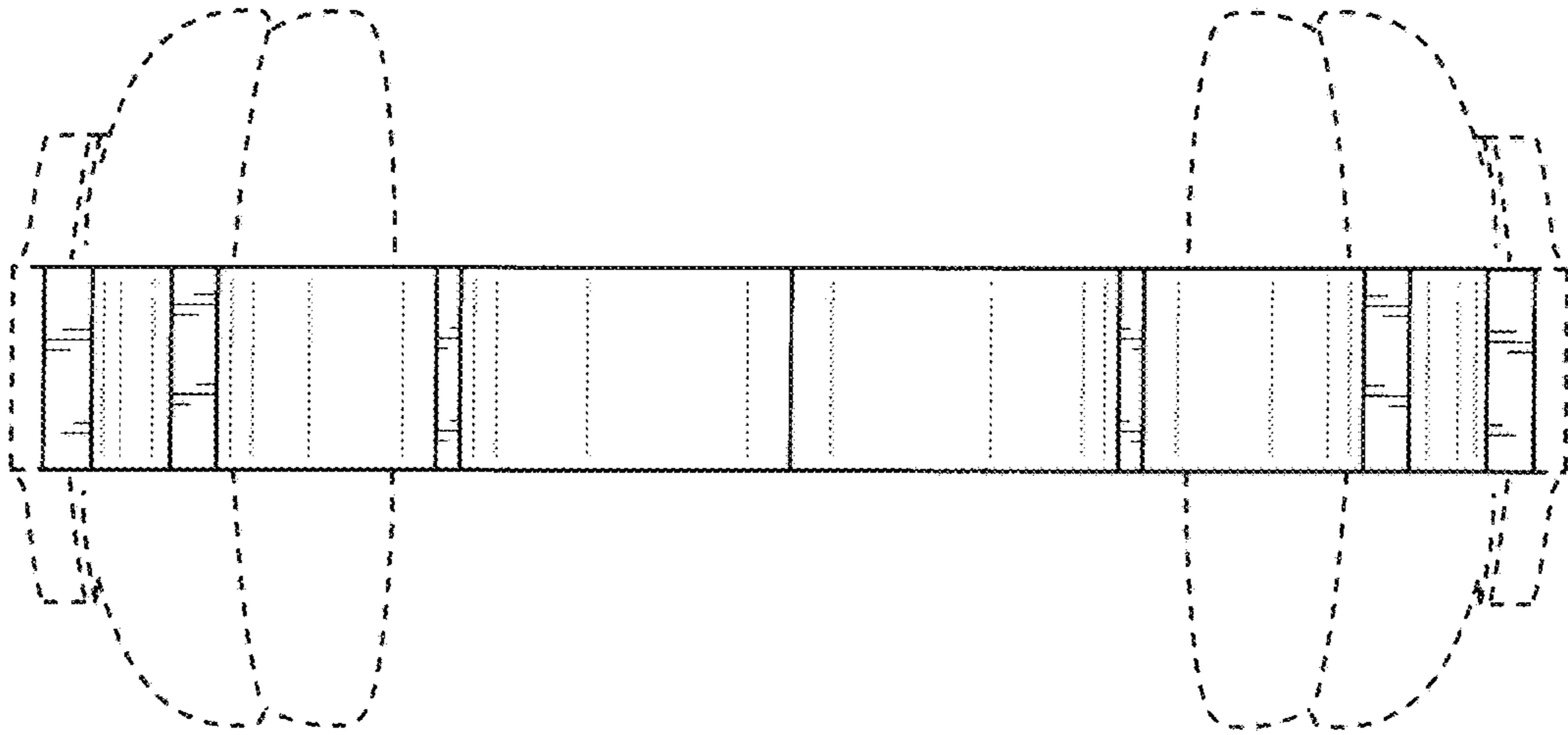


FIG. 4

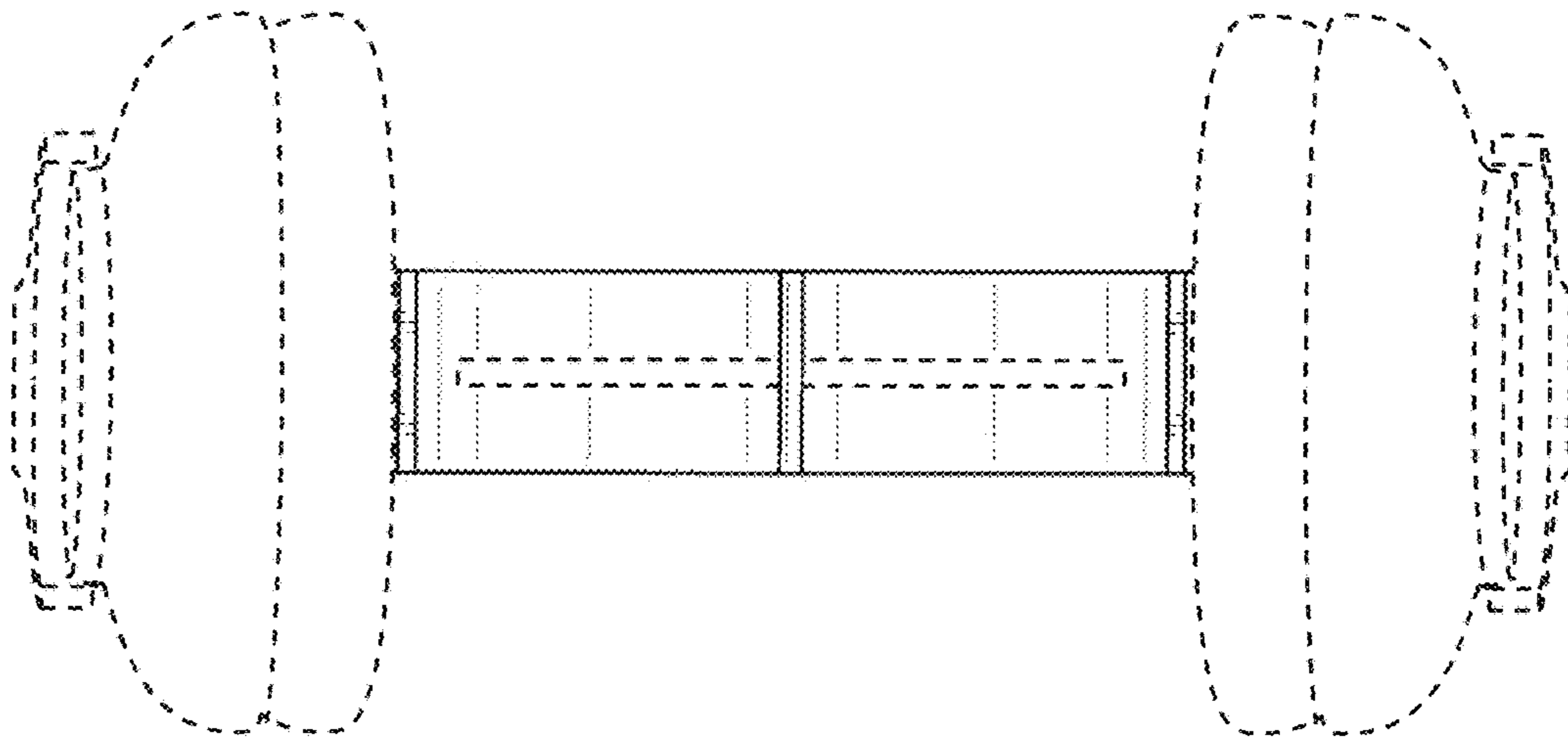


FIG. 5

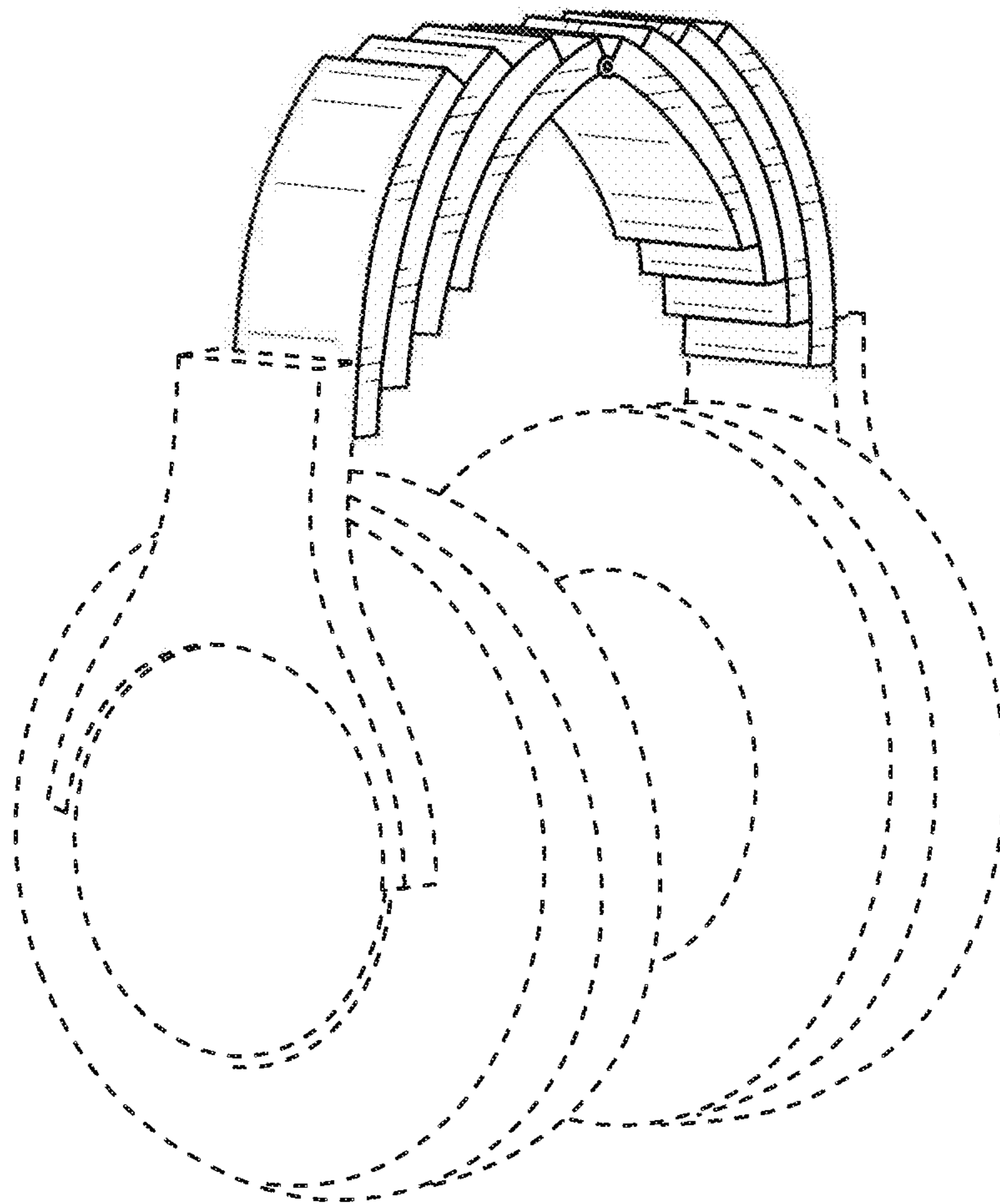


FIG. 6