



US00D793356S

(12) **United States Design Patent**
Hardi

(10) **Patent No.:** **US D793,356 S**

(45) **Date of Patent:** **** Aug. 1, 2017**

(54) **HEADPHONE TOUCHPAD**

(71) Applicant: **Muzik LLC**, Miami Beach, FL (US)

(72) Inventor: **Jason Hardi**, Miami Beach, FL (US)

(73) Assignee: **Musik, LLC**, Raleigh, NC (US)

(**) Term: **14 Years**

(21) Appl. No.: **29/511,990**

(22) Filed: **Dec. 16, 2014**

(51) **LOC (10) Cl.** **14-01**

(52) **U.S. Cl.**

USPC **D14/205**; D14/218

(58) **Field of Classification Search**

USPC D14/205, 206, 218, 221, 222, 167, 189,
D14/269, 192, 412, 400, 251, 253, 447;
181/129, 130, 135; 379/430, 431;
381/380, 381, 355, 358, 360; D9/732;
273/148 B; 206/532, 531, 539, 0.83, 0.8,
206/462, 453, 488; 463/36, 37, 38;
453/50-52; D21/333, 324; D3/215;
D99/33, 34

CPC H04R 25/00; H04R 17/02; H04R 1/1066;
H04R 1/1016; H04R 1/10; A63F 13/00

See application file for complete search history.

(56) **References Cited**

U.S. PATENT DOCUMENTS

1,026,057 A * 5/1912 Shreeve H04R 21/021
381/180
1,343,252 A * 6/1920 Downing B65D 77/26
206/486
1,558,643 A * 10/1925 Smith H04R 21/021
381/180
1,736,830 A * 11/1929 McKee E01F 9/06
404/15
2,022,060 A * 11/1935 Swickard H04R 1/225
181/129

2,514,109 A * 7/1950 Walsh A47B 91/08
248/158
2,971,638 A * 2/1961 Crawford B65D 75/36
206/467
3,279,651 A * 10/1966 Thompson B65D 83/0463
206/531
3,503,493 A * 3/1970 Nagy B65D 75/327
206/232
3,702,123 A * 11/1972 Macken et al. H04R 25/652
181/135
D246,259 S * 11/1977 Nishimura D14/205
D292,331 S * 10/1987 Bryant D14/205
4,778,054 A * 10/1988 Newell A61M 15/0045
206/469
D333,468 S * 2/1993 Hansen D14/222
D377,796 S * 2/1997 Hayashi D14/206
D386,181 S * 11/1997 Fisher D14/192

(Continued)

OTHER PUBLICATIONS

US 9,301,035, 03/2016, Kang (withdrawn)*

Primary Examiner — Paula Greene

(74) *Attorney, Agent, or Firm* — Ward and Smith, P.A.

(57)

CLAIM

The ornamental design for a headphone touchpad, as shown and described.

DESCRIPTION

FIG. 1 is a first perspective view of an embodiment of a headphone touchpad showing our design.

FIG. 2 is a front view thereof.

FIG. 3 is a back view thereof.

FIG. 4 is a left side view thereof.

FIG. 5 is a right side view thereof.

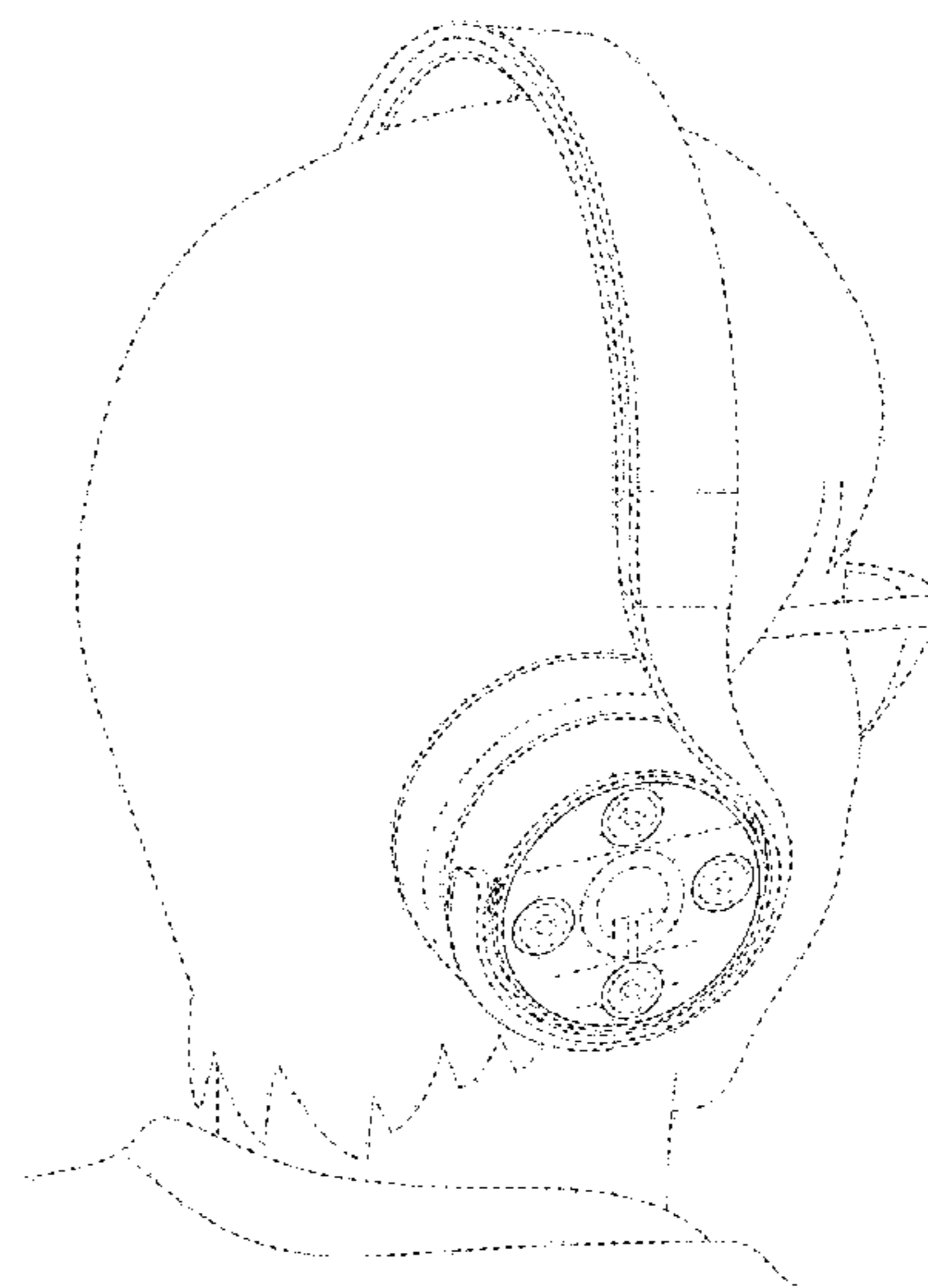
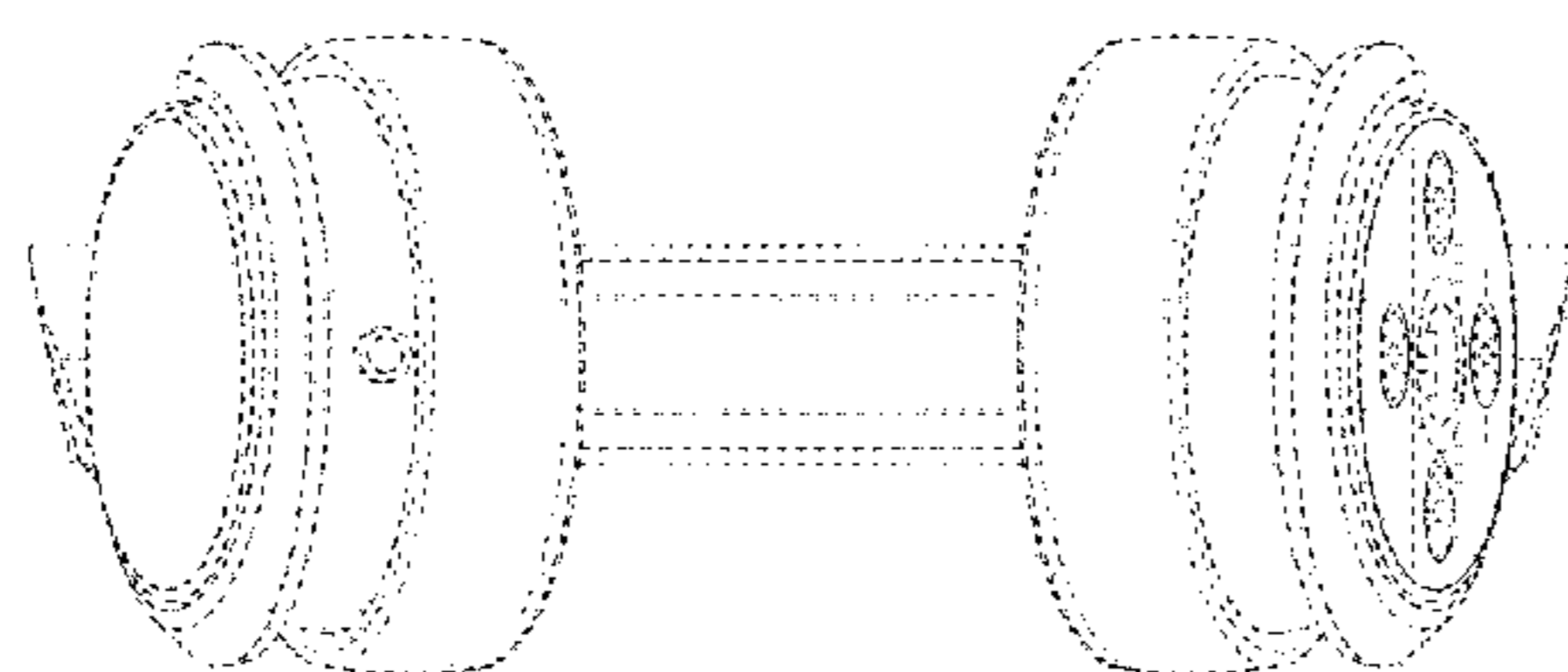
FIG. 6 is a top view thereof.

FIG. 7 is a bottom view thereof; and,

FIG. 8 is a second perspective view thereof.

The broken lines depict environment that forms no part of the claimed design.

1 Claim, 6 Drawing Sheets



(56)

References Cited

U.S. PATENT DOCUMENTS

D394,062 S * 5/1998 Chun D14/192
D448,751 S * 10/2001 Pham D14/206
D484,868 S * 1/2004 Suzuki D14/205
6,905,000 B1 * 6/2005 Viveros H04R 1/1016
181/129
D514,085 S * 1/2006 Lee D14/188
D538,779 S * 3/2007 Nohara D14/167
D552,595 S * 10/2007 Viduya D14/205
D558,767 S * 1/2008 Solland D14/400
D570,075 S * 5/2008 Wood D99/34
D582,890 S * 12/2008 Koza D14/205
D602,097 S * 10/2009 Oikawa D14/412
7,609,026 B2 * 10/2009 Tsunoda H02J 7/0044
320/114
D616,865 S * 6/2010 Marchand D14/205
D632,668 S * 2/2011 Brunner D14/205
7,916,886 B1 * 3/2011 Bobisuthi H04R 1/086
381/355
D638,397 S * 5/2011 McManigal D14/205
D673,520 S * 1/2013 Tan D14/205
D690,682 S * 10/2013 Iacovelli D14/205
8,565,467 B1 * 10/2013 Tseng H04R 1/1016
181/129
D702,210 S * 4/2014 Birger D14/205
D704,163 S * 5/2014 Brunner D14/205
D707,653 S * 6/2014 Hardi D14/205
8,942,385 B1 * 1/2015 Jones H04R 1/1041
381/101
D728,512 S * 5/2015 Nakagawa D14/205
D729,198 S * 5/2015 Brunner D14/205
D731,457 S * 6/2015 Brunner D14/205

* cited by examiner

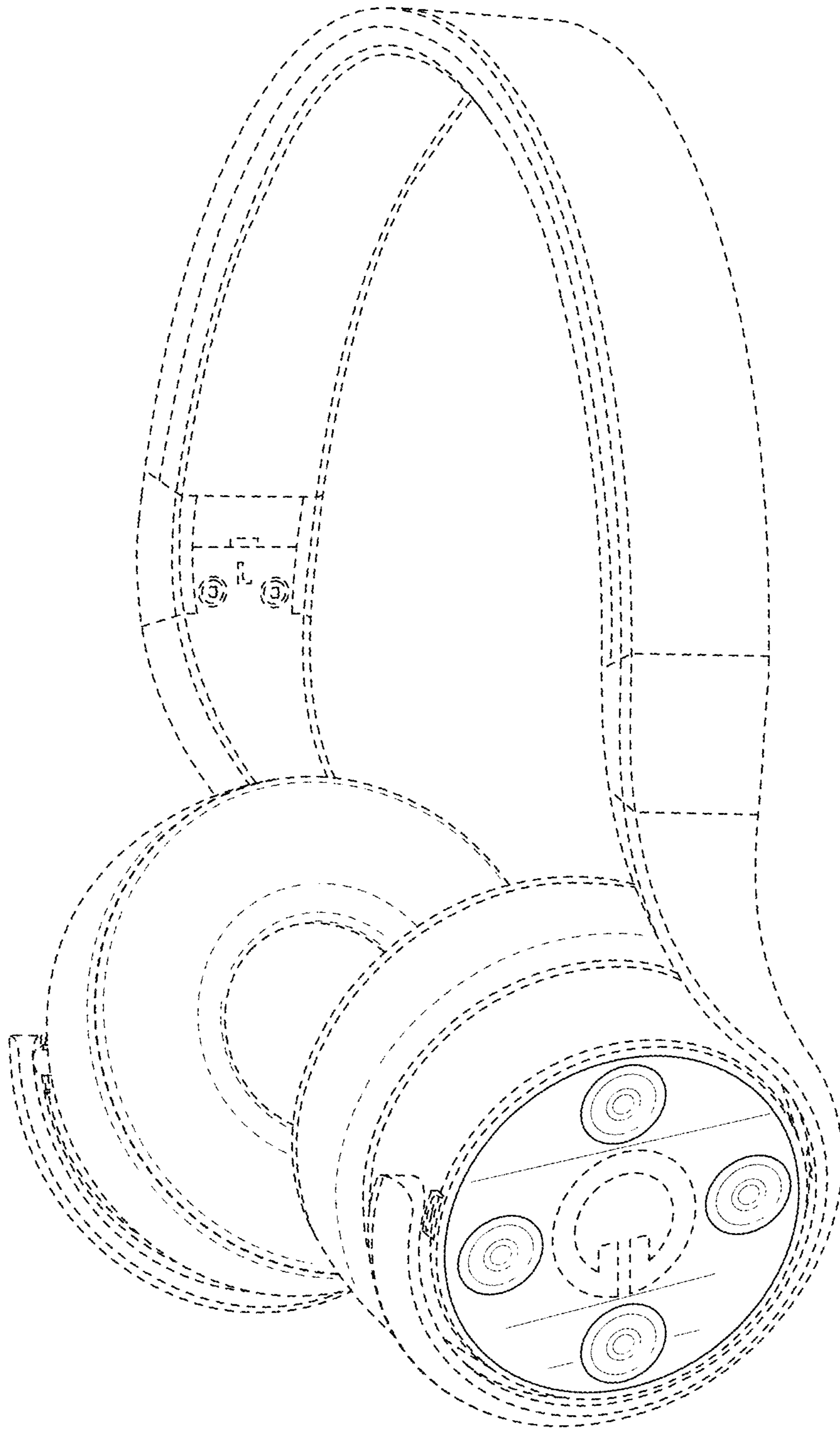


Fig. 1

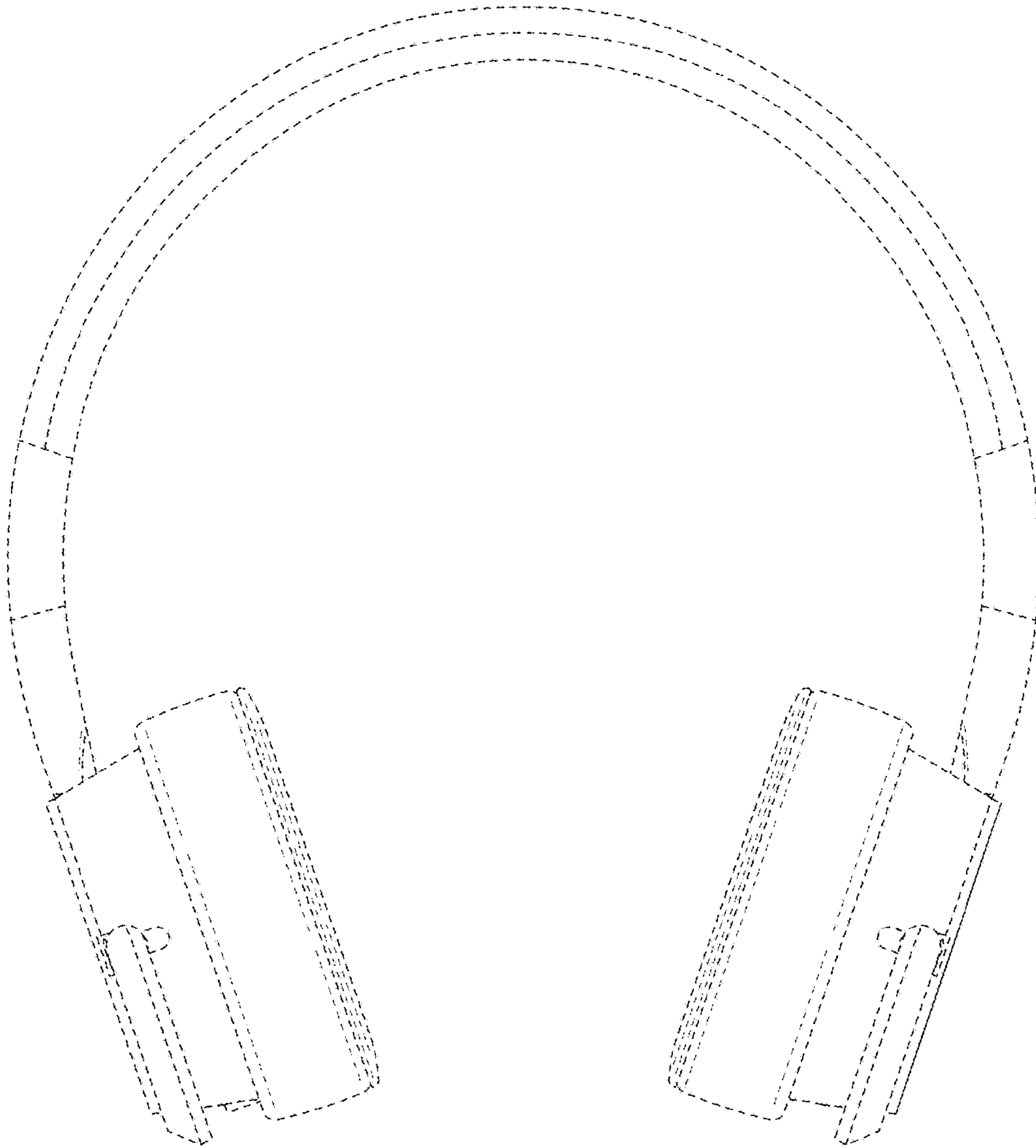


Fig. 2

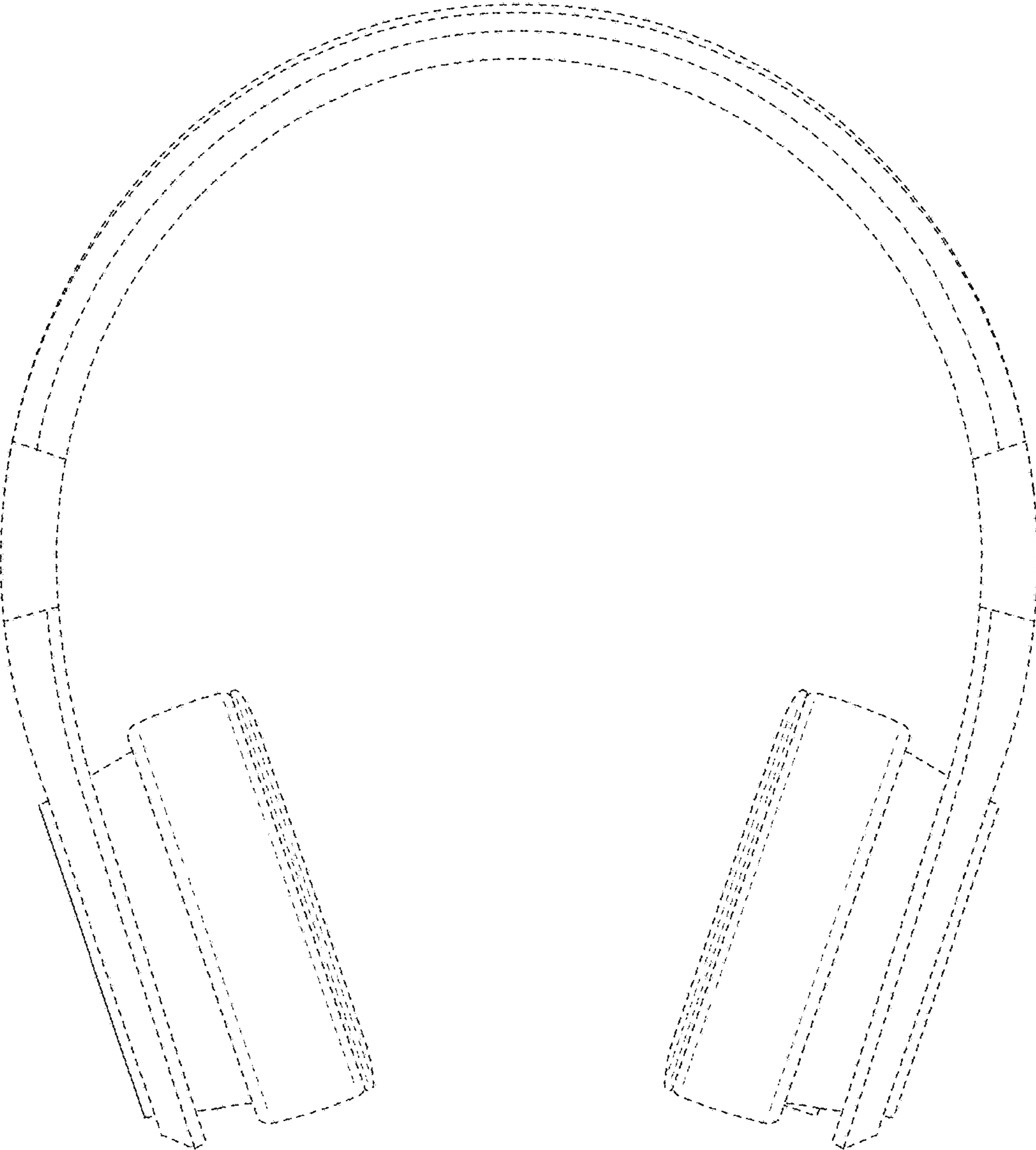


Fig. 3

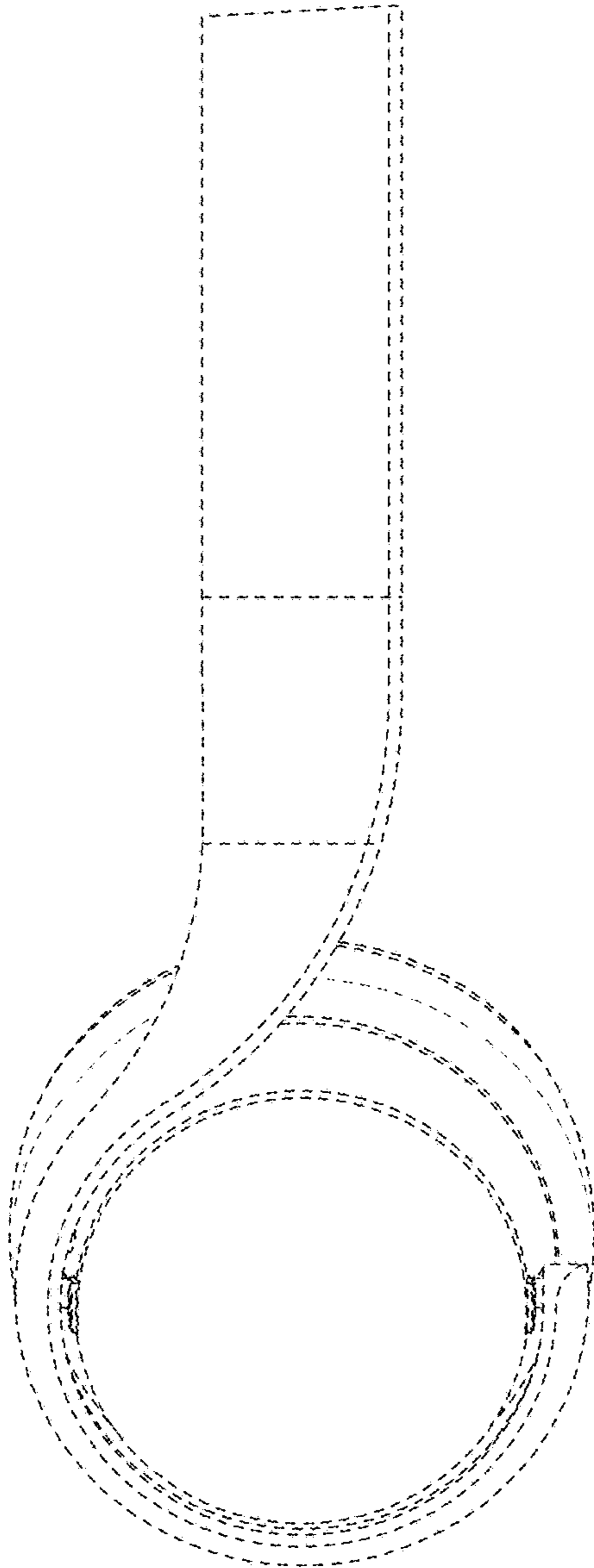


Fig. 4

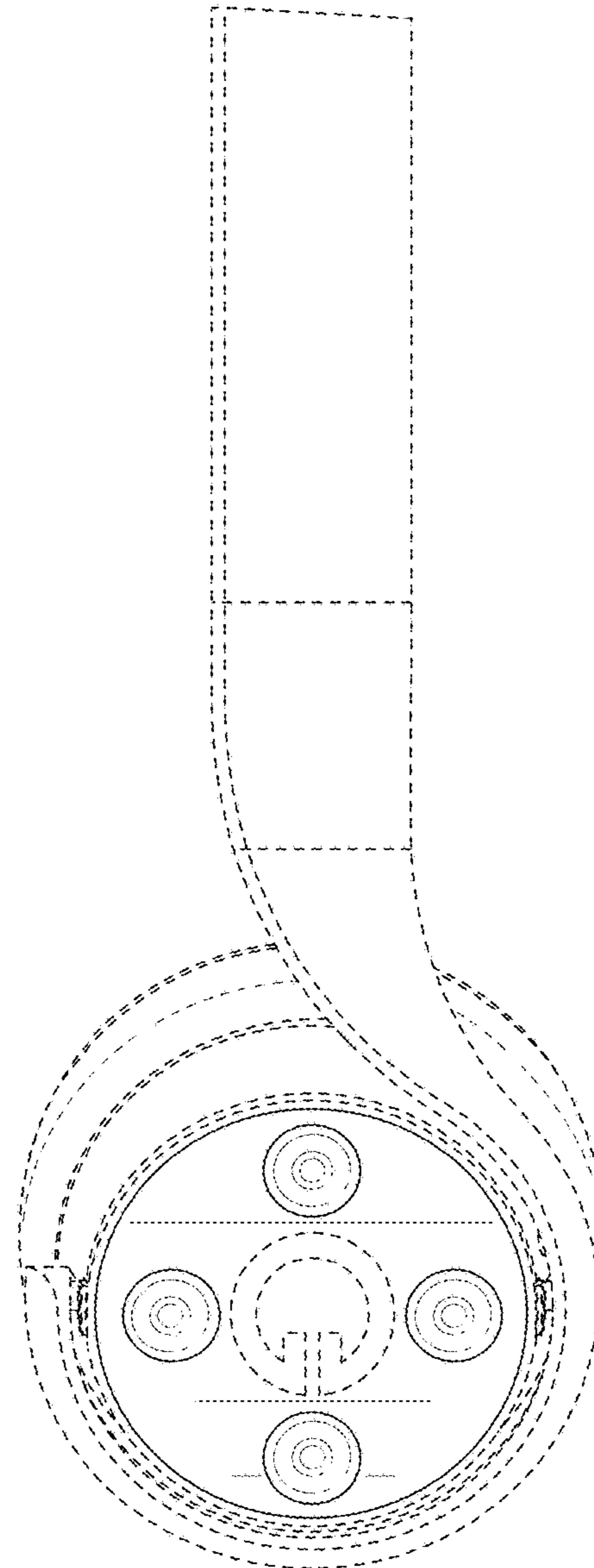


Fig. 5

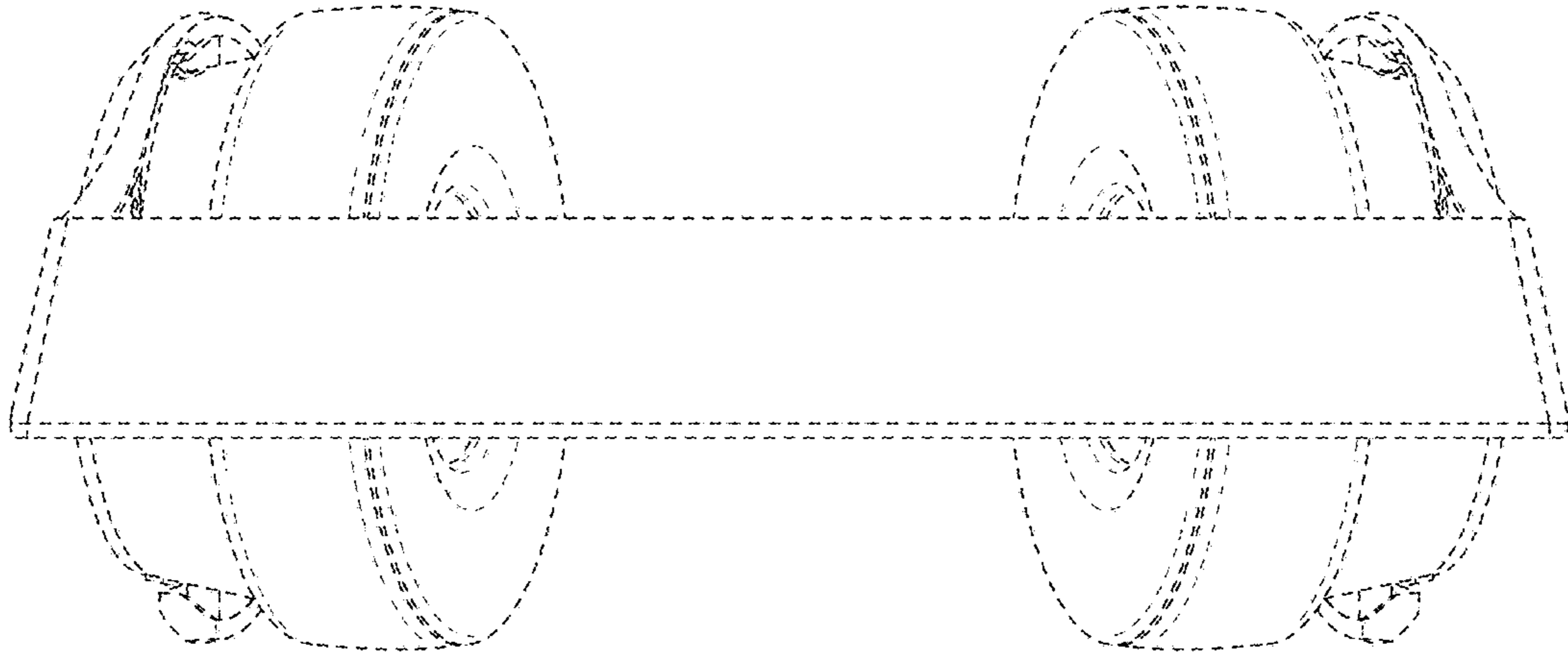


Fig. 6

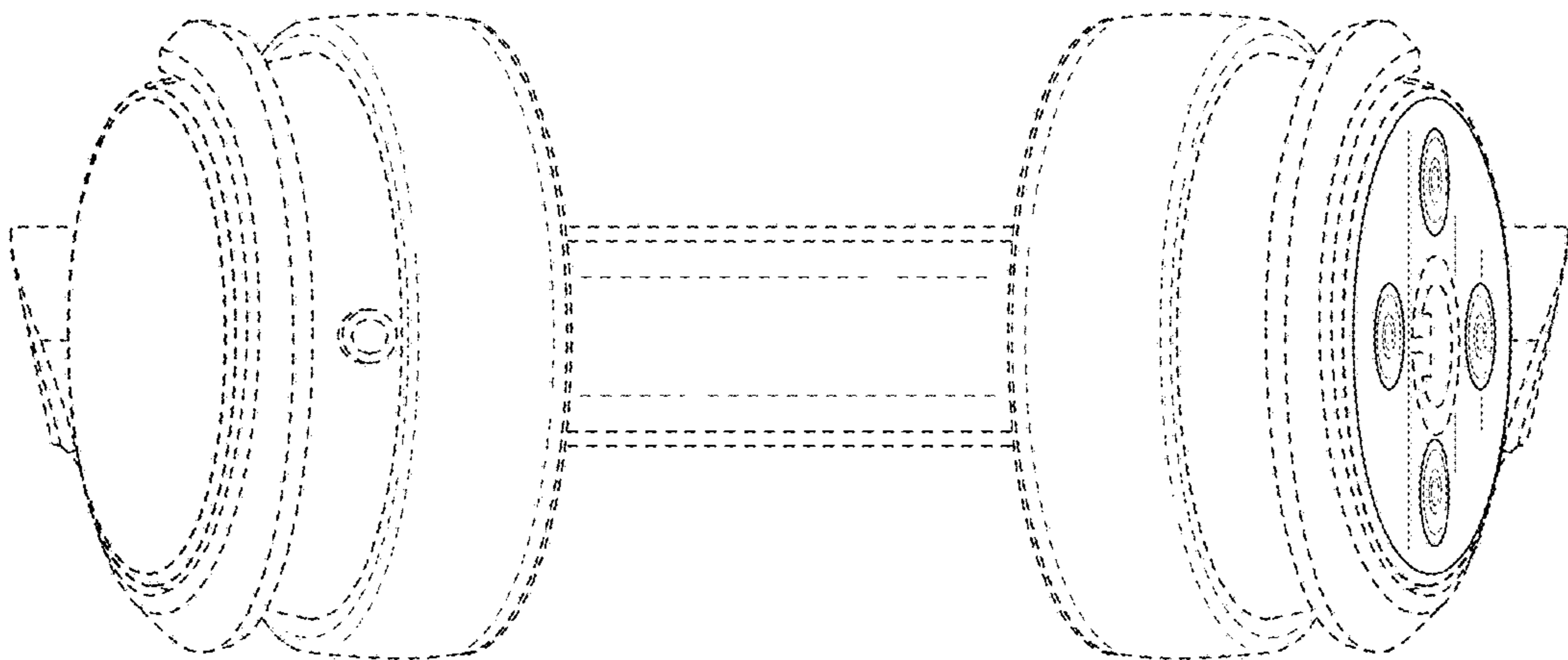


Fig. 7

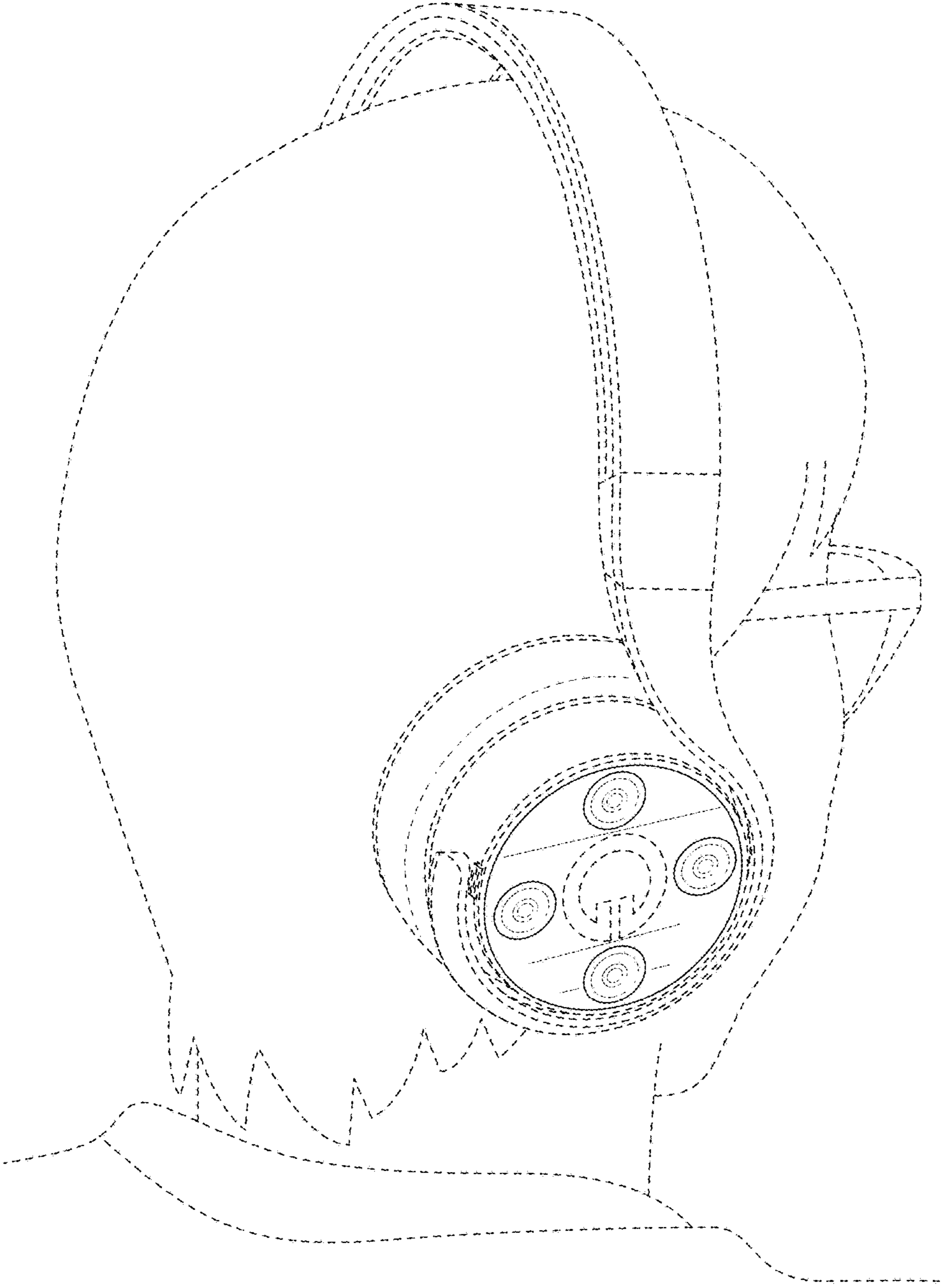


Fig. 8

UNITED STATES PATENT AND TRADEMARK OFFICE
CERTIFICATE OF CORRECTION

PATENT NO. : D793,356 S
APPLICATION NO. : 29/511990
DATED : August 1, 2017
INVENTOR(S) : Jason Hardi

Page 1 of 1

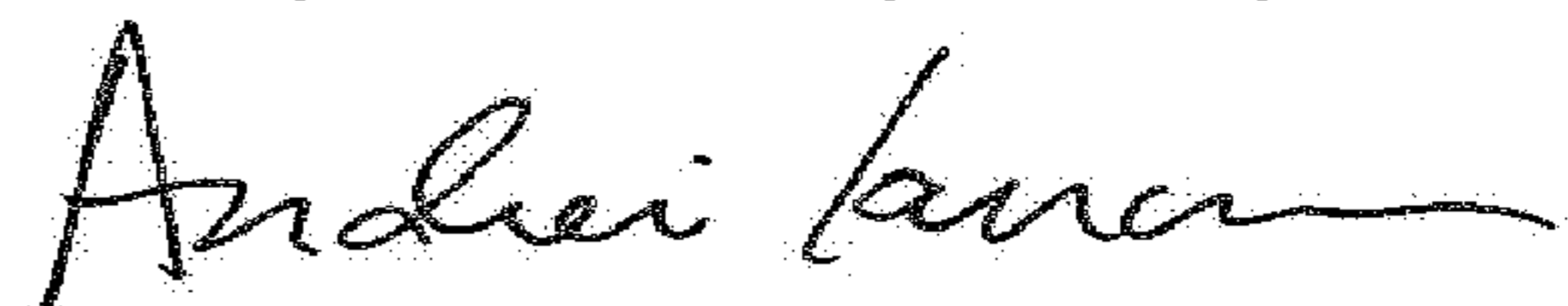
It is certified that error appears in the above-identified patent and that said Letters Patent is hereby corrected as shown below:

On the Title Page

Please correct the Assignee information as follows:

(73) Assignee: Muzik, LLC, Raleigh, NC (US)

Signed and Sealed this
Twenty-second Day of May, 2018



Andrei Iancu
Director of the United States Patent and Trademark Office