



US00D793351S

(12) **United States Design Patent** (10) **Patent No.:** **US D793,351 S**
Yu (45) **Date of Patent:** **** Aug. 1, 2017**

- (54) **HEAT DISSIPATION BOARD**
- (71) Applicant: **BITSPOWER INTERNATIONAL CO., LTD.**, Changhua County (TW)
- (72) Inventor: **Vincent Yu**, Changhua County (TW)
- (73) Assignee: **Bitpower International Co., Ltd.**, Changhua County (TW)
- (**) Term: **15 Years**

- D432,226 S * 10/2000 Orendorff D23/393
- 6,234,893 B1 * 5/2001 Meredith F24F 13/085
454/289
- D469,172 S * 1/2003 Warren D23/341
- D474,754 S * 5/2003 Tan D13/179
- D492,265 S * 6/2004 Chu D13/179
- D517,193 S * 3/2006 Calkins D23/395
- 7,113,403 B2 * 9/2006 Kuo H01L 23/467
165/121
- D572,358 S * 7/2008 Natrass D23/397
- D581,883 S * 12/2008 Lin D13/179

(Continued)

- (21) Appl. No.: **29/556,404**
- (22) Filed: **Mar. 1, 2016**
- (51) **LOC (10) Cl.** **13-13**
- (52) **U.S. Cl.**
USPC **D13/179**
- (58) **Field of Classification Search**
USPC D13/179; D23/323, 324, 330, 335-339,
D23/341, 354-355, 386, 499
CPC .. F28F 1/0475; F28F 1/10; F28F 1/126; F28F
1/325; F28F 1/18; F28F 1/28; F28F
9/262; F23D 14/06; F28D 1/0408; F28D
1/0476; F28D 1/05366
See application file for complete search history.

OTHER PUBLICATIONS

DrainageKits.com, Catch Basin Kit w/Jonite Slotted Grate, Product page, [online], Retrieved Feb. 21, 2017 from <URL: https://drainagekits.com/product/catch-basin-kit-jonite-slotted-grate-12x12/#prettyPhoto[product-gallery]/2/>.*

Primary Examiner — Sheryl Lane
Assistant Examiner — Calvin E Vansant
(74) *Attorney, Agent, or Firm* — Rosenberg, Klein & Lee

(57) **CLAIM**

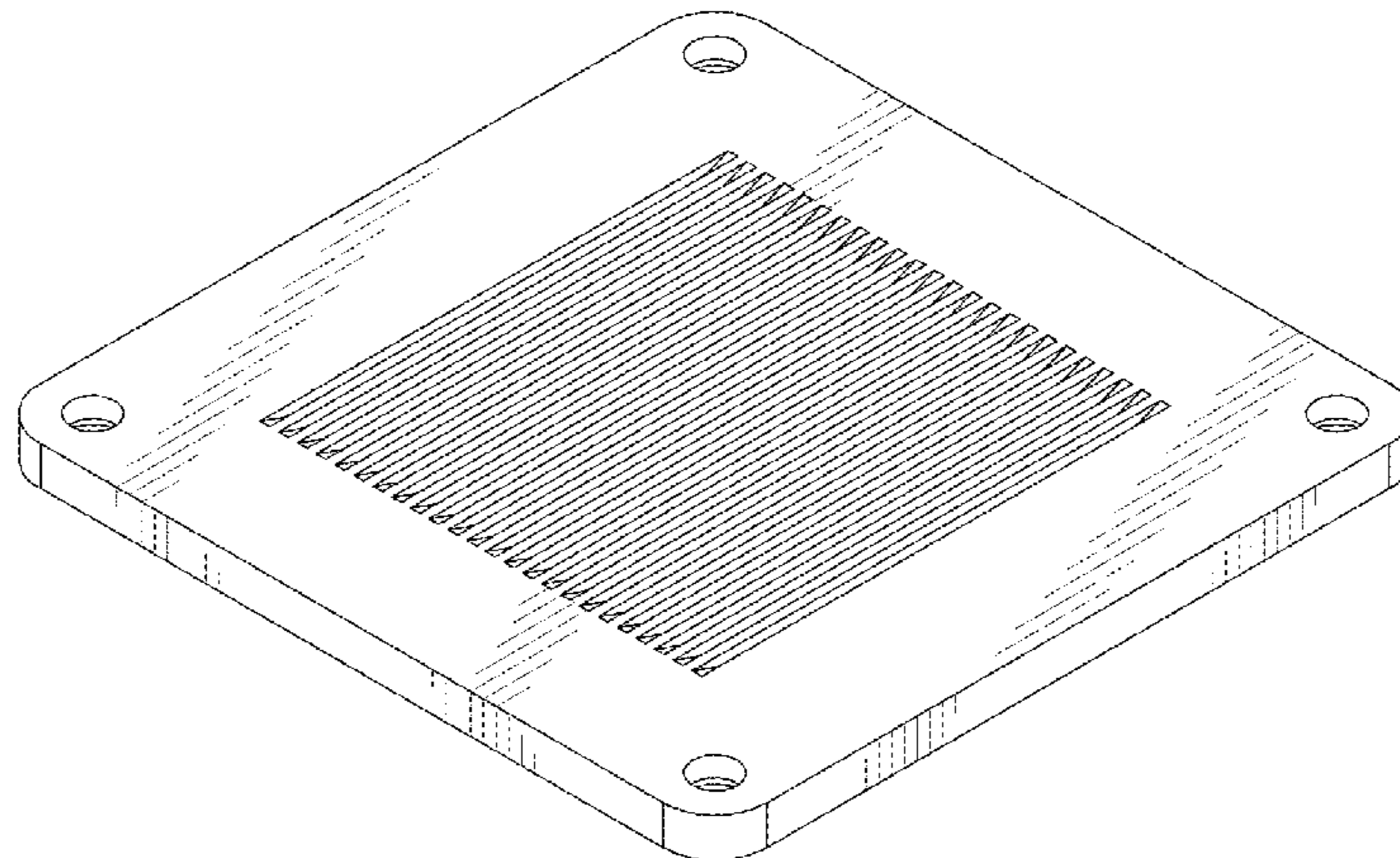
The ornamental design for a heat dissipation board, as shown and described.

DESCRIPTION

FIG. 1 is a perspective view of the heat dissipation board showing my new design;
FIG. 2 is a front elevational view thereof;
FIG. 3 is a rear front elevational view thereof;
FIG. 4 is a left side elevational view thereof;
FIG. 5 is a right side elevational view thereof;
FIG. 6 is a top plan view thereof;
FIG. 7 is a bottom plan view thereof;
FIG. 8 is another perspective view thereof; and,
FIG. 9 is a partial perspective view of the heat dissipation board taken along the section line 9-9 of FIG. 6 showing my new design.

1 Claim, 7 Drawing Sheets

- (56) **References Cited**
U.S. PATENT DOCUMENTS
- 1,494,823 A * 5/1924 Tappen E04C 2/427
105/457
- D260,513 S * 9/1981 Comstock D13/126
- D263,511 S * 3/1982 Bartscher D25/156
- 4,884,331 A * 12/1989 Hinshaw F28F 3/02
165/185
- 4,940,359 A * 7/1990 Van Duyn E03F 3/046
404/2
- D316,705 S * 5/1991 Dickey D13/179
- D328,334 S * 7/1992 Finkelstein D23/209
- D339,415 S * 9/1993 Kiras D23/397
- D357,900 S * 5/1995 Katsui D13/179
- D368,253 S * 3/1996 Graves D13/179
- D416,997 S * 11/1999 Prouty D23/397



(56)

References Cited

U.S. PATENT DOCUMENTS

D586,763	S	*	2/2009	Hua	D13/179
D597,653	S	*	8/2009	Calkins	D23/388
D604,255	S	*	11/2009	King	D13/179
D621,925	S	*	8/2010	Erickson	D23/393
D654,162	S	*	2/2012	Sykes	D23/393
D710,000	S	*	7/2014	Moreno	D23/386
D718,086	S	*	11/2014	Lewis	D7/391
D734,754	S	*	7/2015	Ficacci	D14/432
D736,353	S	*	8/2015	Lucas	D23/261
D738,999	S	*	9/2015	Funnell, II	D23/365
D747,278	S	*	1/2016	Murphy	D13/179
2003/0188848	A1	*	10/2003	Kuo	F28F 3/02 165/80.3

* cited by examiner

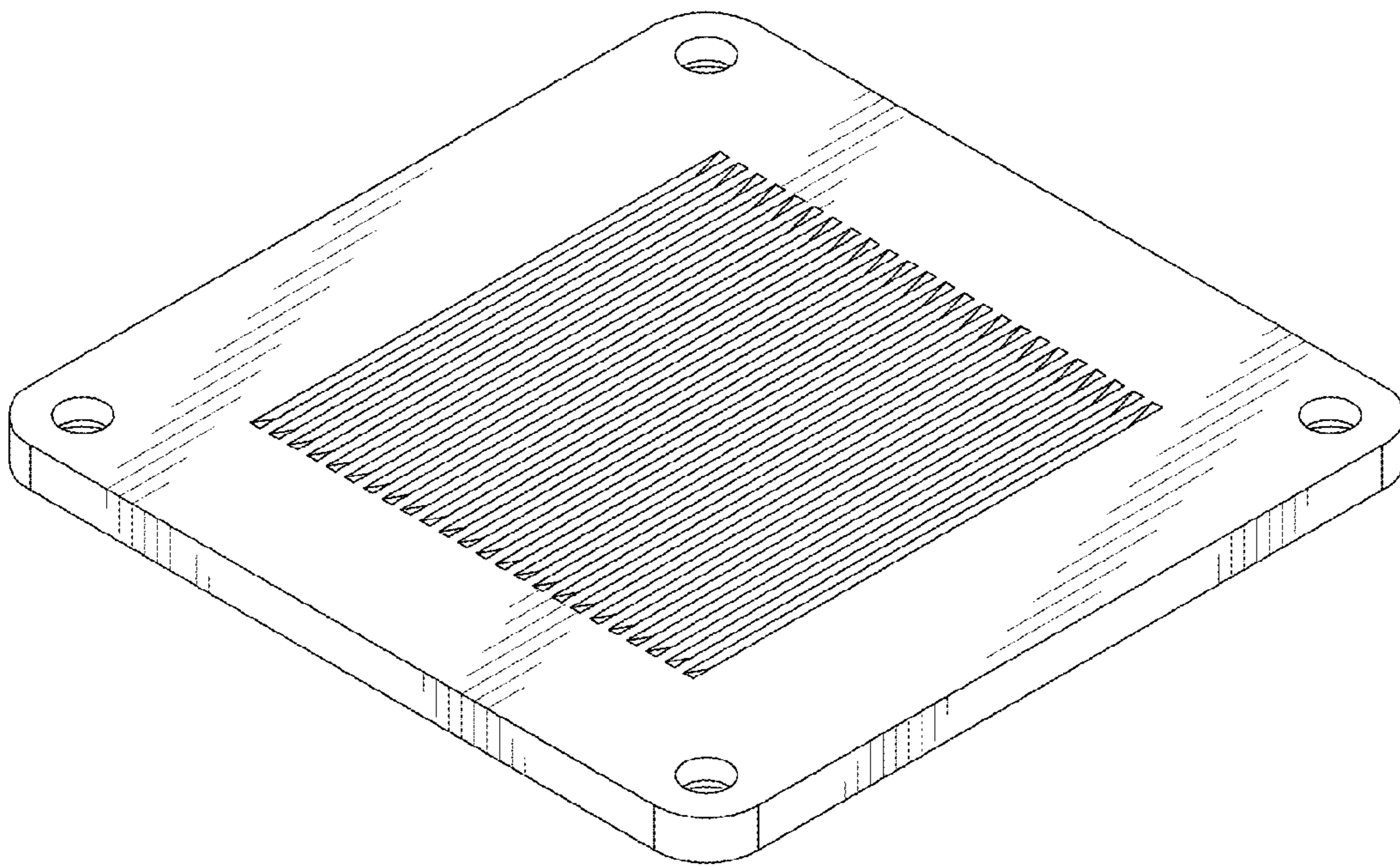


FIG.1



FIG. 2



FIG. 3



FIG.4



FIG.5

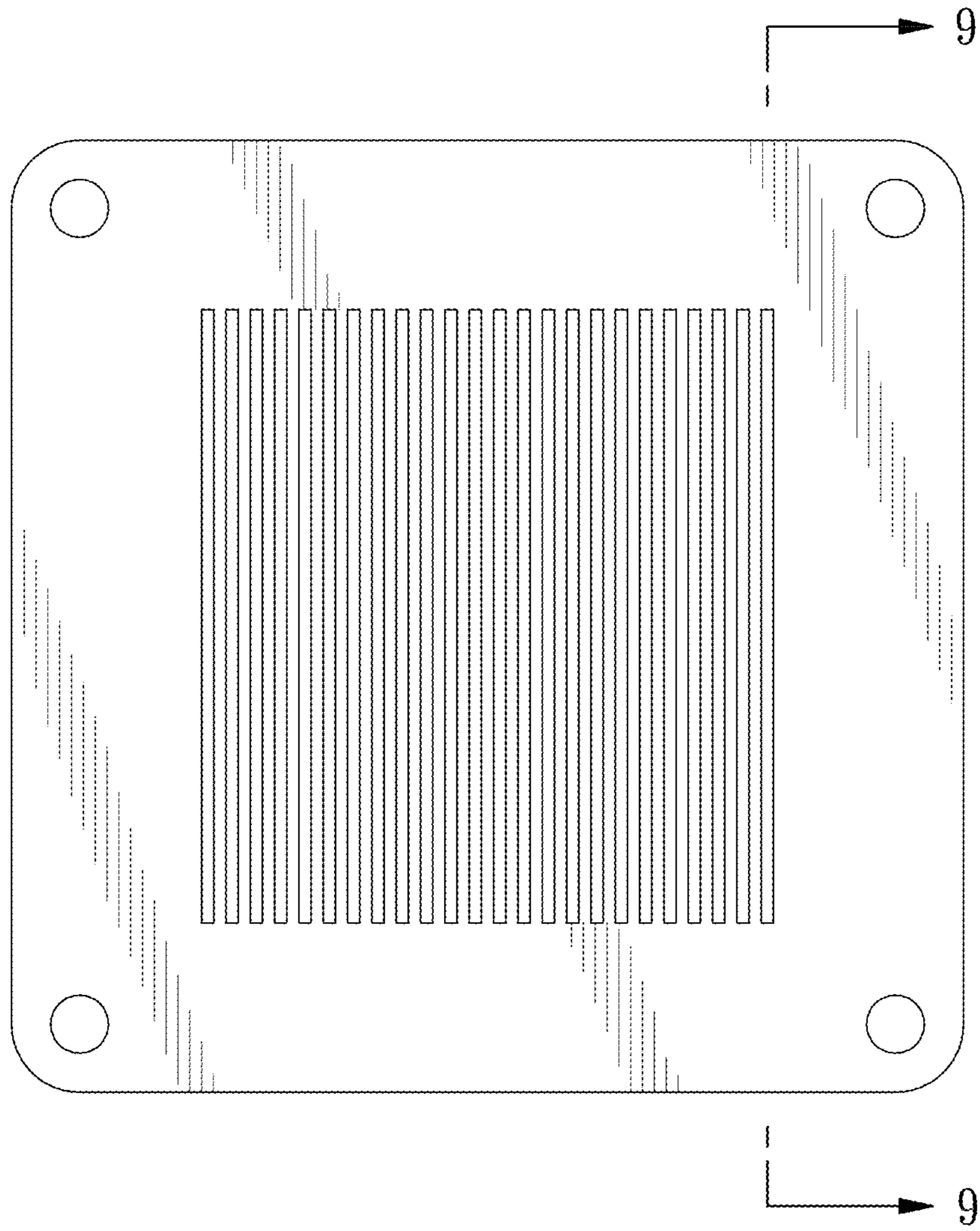


FIG.6

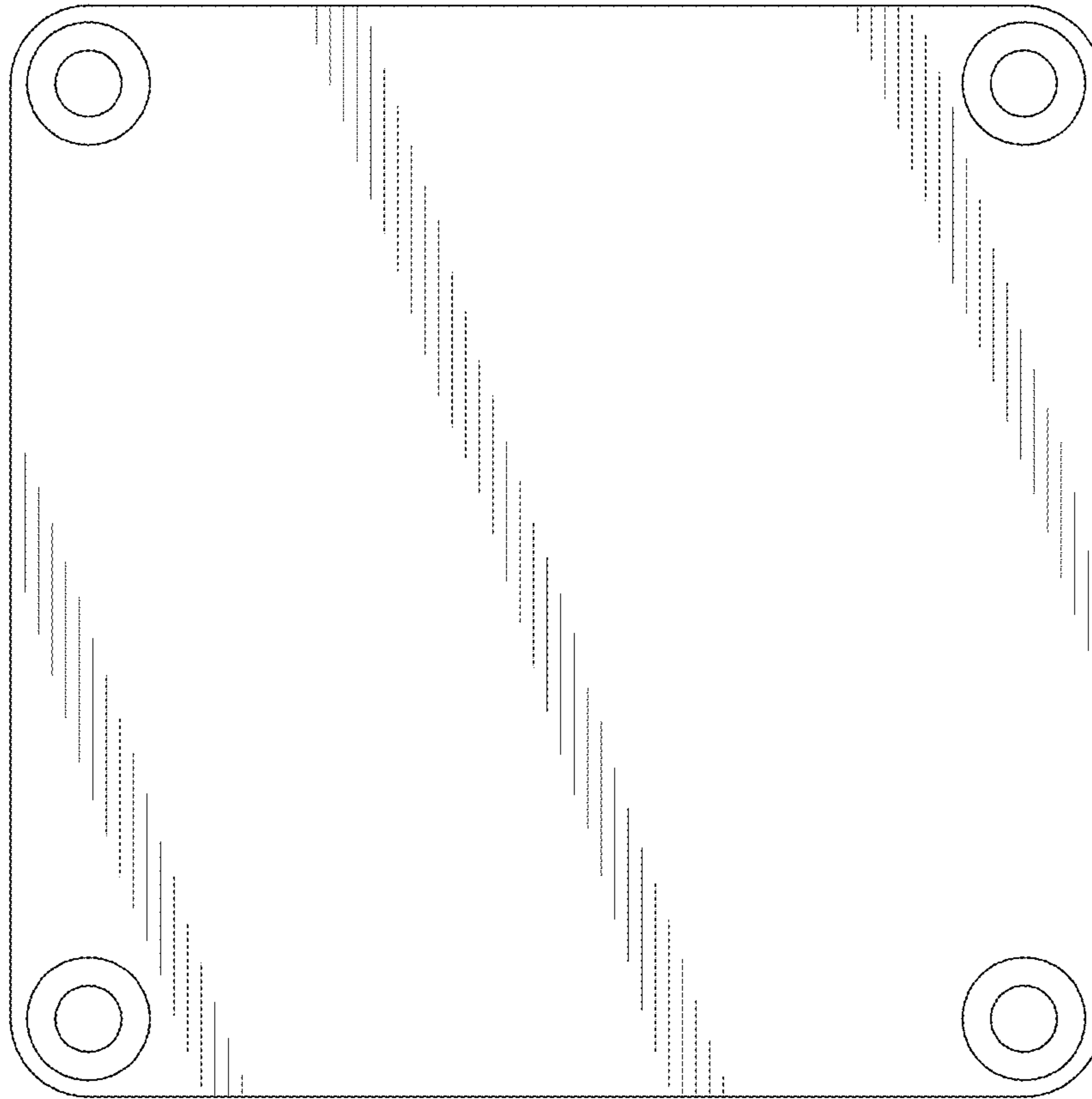


FIG.7

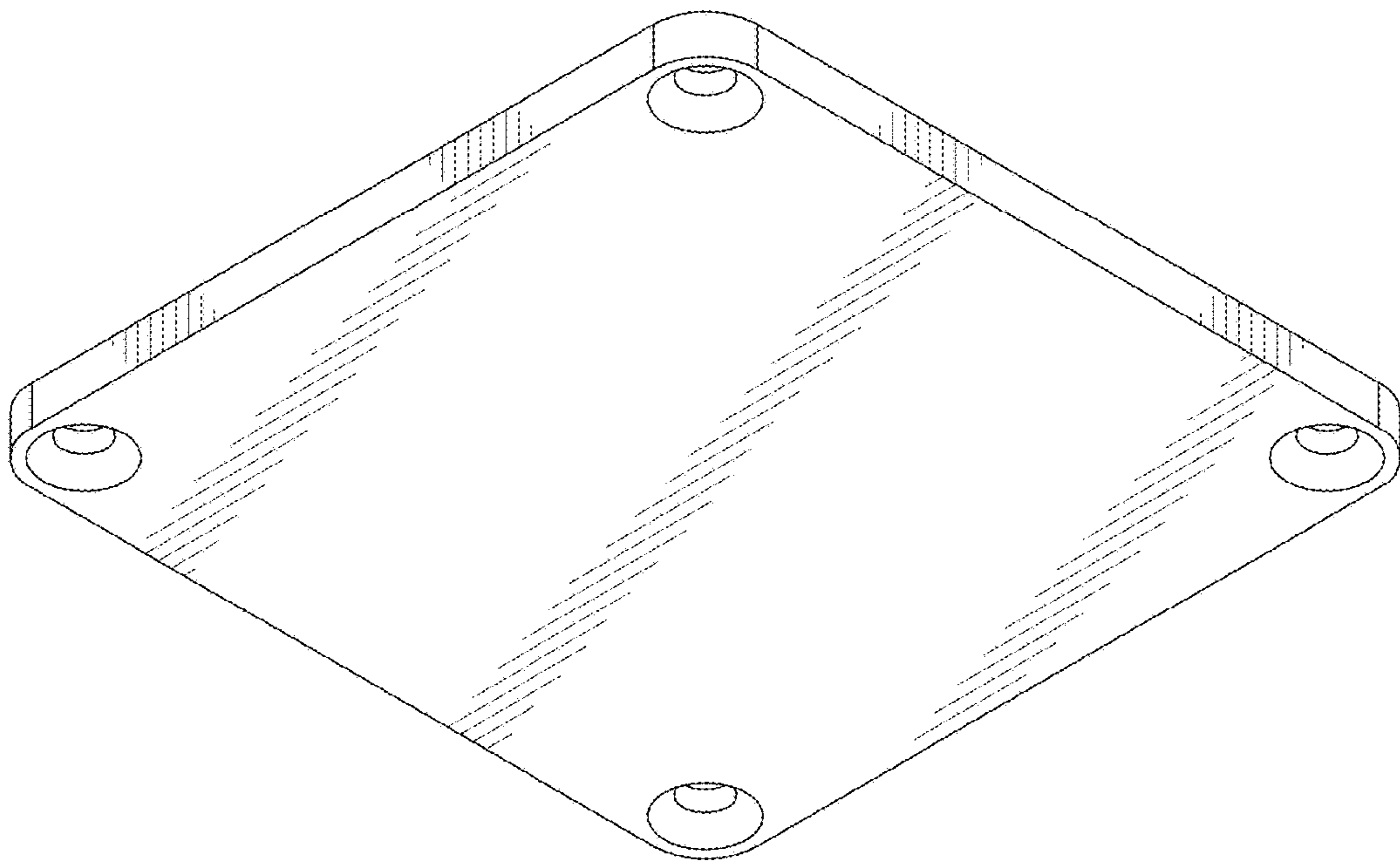


FIG.8

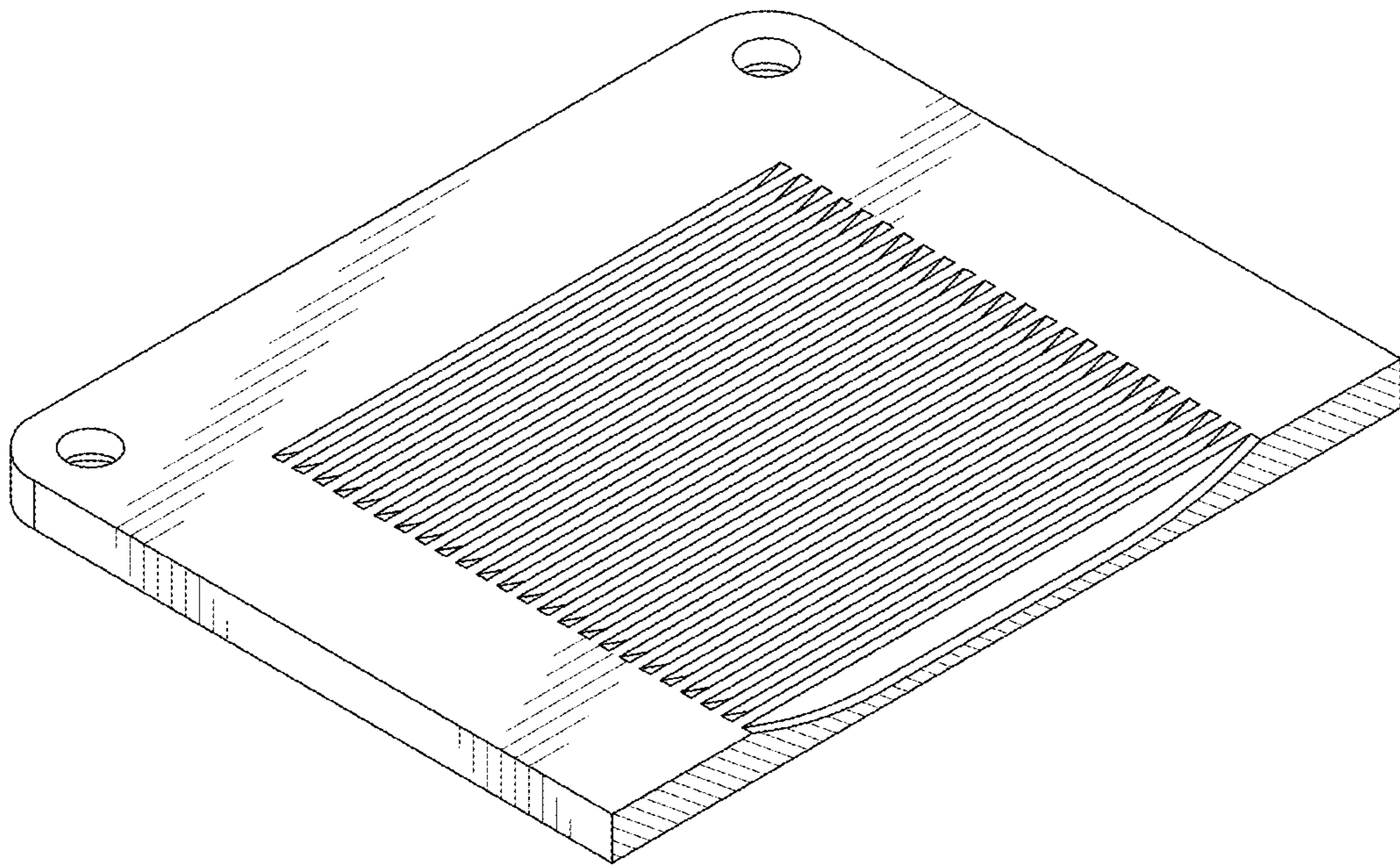


FIG.9