

US00D793349S

(12) **United States Design Patent** (10) **Patent No.:** **US D793,349 S**
Gage et al. (45) **Date of Patent:** **** *Aug. 1, 2017**

(54) **KEYPAD**

- (71) Applicant: **Lutron Electronics Co., Inc.**,
Coopersburg, PA (US)
- (72) Inventors: **Alexander Wade Gage**, Havertown, PA
(US); **Elliot G. Jacoby**, Glenside, PA
(US); **Jason C. Killo**, Emmaus, PA
(US); **Brad Michael Kreschollek**,
Bethlehem, PA (US); **Noel Mayo**,
Philadelphia, PA (US); **Daniel Curtis**
Raneri, Bethlehem, PA (US)
- (73) Assignee: **Lutron Electronics Co., Inc.**,
Coopersburg, PA (US)

(*) Notice: This patent is subject to a terminal disclaimer.

(**) Term: **15 Years**

(21) Appl. No.: **29/536,772**

(22) Filed: **Aug. 19, 2015**

(51) **LOC (10) Cl.** **13-03**

(52) **U.S. Cl.**
USPC **D13/171**

(58) **Field of Classification Search**
USPC D13/162, 164, 171, 174
CPC G08C 17/02; H05B 33/0845; H05B 37/02;
H05B 37/0272; H05B 39/02; H05B
39/04; H05B 39/041; H05B 39/08; H05B
39/085

See application file for complete search history.

(56) **References Cited**

U.S. PATENT DOCUMENTS

D309,268 S	7/1990	Wada et al.
D310,340 S	9/1990	Wada et al.
D364,573 S	11/1995	Pearsall
D436,930 S	1/2001	Butler et al.
D453,742 S	2/2002	Butler et al.
D465,460 S	11/2002	Mayo et al.

(Continued)

OTHER PUBLICATIONS

Lightolier, Specification Sheet for iGen Dali 4-Button Scene Controller Model No. DA-WS4SS-7, 2007, 2 pages.

(Continued)

Primary Examiner — Selina Sikder
(74) *Attorney, Agent, or Firm* — Saidman DesignLaw Group, LLC

(57) **CLAIM**

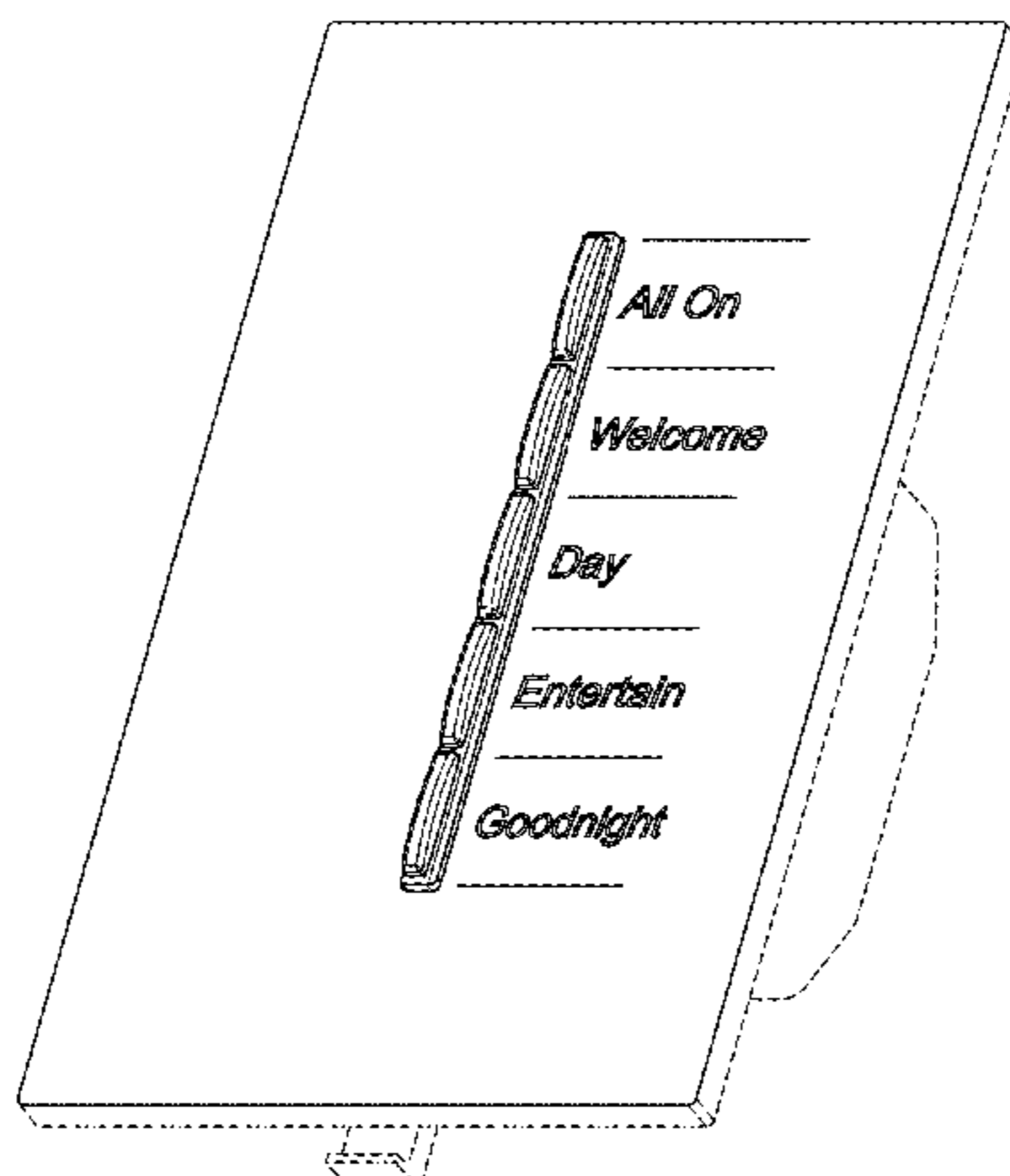
The ornamental design for a keypad, as shown and described.

DESCRIPTION

FIG. 1 is a front perspective view of a keypad showing our new design;
 FIG. 2 is a front view thereof;
 FIG. 3 is a left side view thereof;
 FIG. 4 is a right side view thereof;
 FIG. 5 is a top view thereof;
 FIG. 6 is a bottom view thereof;
 FIG. 7 is a front perspective view of a second embodiment thereof;
 FIG. 8 is a front view thereof;
 FIG. 9 is a left side view thereof;
 FIG. 10 is a right side view thereof;
 FIG. 11 is a top view thereof;
 FIG. 12 is a bottom view thereof;
 FIG. 13 is a front perspective view of a third embodiment thereof;
 FIG. 14 is a front view thereof;
 FIG. 15 is a left side view thereof;
 FIG. 16 is a right side view thereof;
 FIG. 17 is a top view thereof; and,
 FIG. 18 is a bottom view thereof.

The dashed broken lines represent structure or features which form no part of the claimed design; the broken lines themselves form no part of the claimed design.

1 Claim, 12 Drawing Sheets



(56)

References Cited

U.S. PATENT DOCUMENTS

D563,901 S 3/2008 Mayo et al.
 D566,048 S 4/2008 Mace et al.
 D566,658 S 4/2008 Mayo et al.
 D568,828 S 5/2008 Mayo et al.
 D570,299 S 6/2008 Jacoby et al.
 D572,202 S 7/2008 Jacoby et al.
 D572,208 S 7/2008 Mayo et al.
 D572,667 S 7/2008 Mayo et al.
 D573,956 S 7/2008 Hollner et al.
 7,641,491 B2 1/2010 Altonen et al.
 D624,881 S 10/2010 Altonen et al.
 D624,882 S 10/2010 Altonen et al.
 7,872,429 B2 1/2011 Steiner et al.
 D678,850 S * 3/2013 Wisniewski D13/174
 D705,179 S * 5/2014 Wisniewski D13/174
 9,167,666 B1 * 10/2015 Billheimer H05B 37/02
 9,389,769 B1 * 7/2016 O’Keeffe G06F 1/3262
 2007/0216318 A1 * 9/2007 Altonen G02B 6/0001
 315/209 R
 2007/0272532 A1 * 11/2007 Pessina H02G 3/14
 200/333
 2007/0291010 A1 * 12/2007 Altonen H05B 39/085
 345/173

2008/0258644 A1 10/2008 Altonen et al.
 2009/0184652 A1 7/2009 Bollinger, Jr. et al.
 2016/0035217 A1* 2/2016 Camden G08C 17/02
 340/12.5

OTHER PUBLICATIONS

Inncom, GS-700 Family Glass Series Switches Sell Sheet, Nov. 2008, 2 pages.
 U.S. Appl. No. 29/502,399, filed Sep. 16, 2014. (Unpublished).
 U.S. Appl. No. 29/515,919, filed Jan. 28, 2015. (Unpublished).
 U.S. Appl. No. 29/515,921, filed Jan. 28, 2015. (Unpublished).
 U.S. Appl. No. 29/447,481, filed Mar. 4, 2013. (Unpublished).
 U.S. Appl. No. 29/447,485, filed Mar. 4, 2013. (Unpublished).
 U.S. Appl. No. 29/536,775, filed Aug. 19, 2015. (Unpublished).
 U.S. Appl. No. 29/536,770, filed Aug. 19, 2015. (Unpublished).
 U.S. Appl. No. 29/536,767, filed Aug. 19, 2015. (Unpublished).
 U.S. Appl. No. 29/536,771, filed Aug. 19, 2015. (Unpublished).
 U.S. Appl. No. 29/536,765, filed Aug. 19, 2015. (Unpublished).
 U.S. Appl. No. 29/536,768, filed Aug. 19, 2015. (Unpublished).
 U.S. Appl. No. 29/536,792, filed Aug. 19, 2015. (Unpublished).
 U.S. Appl. No. 29/536,805, filed Aug. 19, 2015. (Unpublished).
 U.S. Appl. No. 29/536,796, filed Aug. 19, 2015. (Unpublished).
 U.S. Appl. No. 29/536,802, filed Aug. 19, 2015. (Unpublished).
 U.S. Appl. No. 29/536,810, filed Aug. 19, 2015. (Unpublished).
 U.S. Appl. No. 29/536,808, filed Aug. 19, 2015. (Unpublished).
 U.S. Appl. No. 29/536,807, filed Aug. 19, 2015. (Unpublished).

* cited by examiner

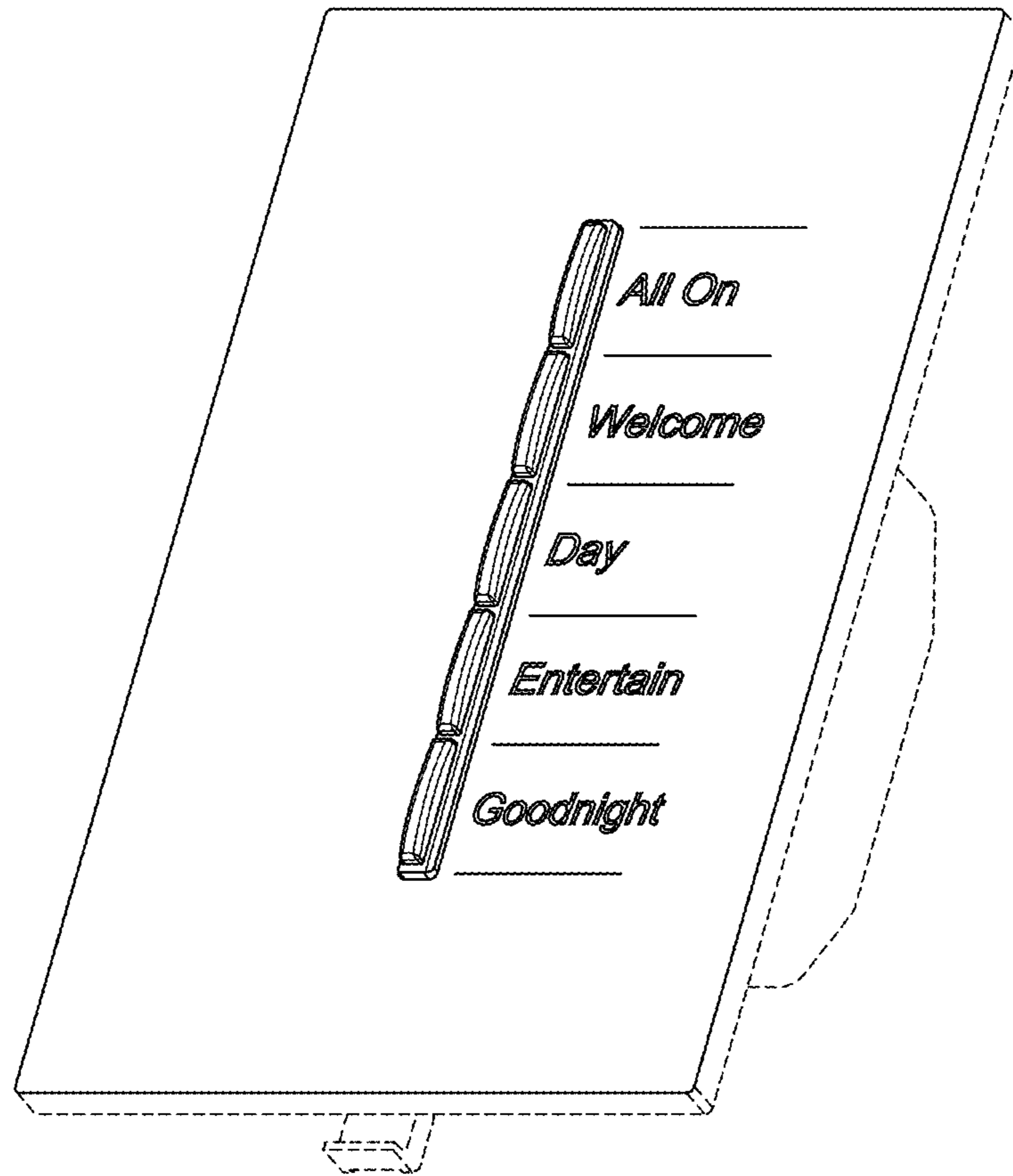


FIG. 1

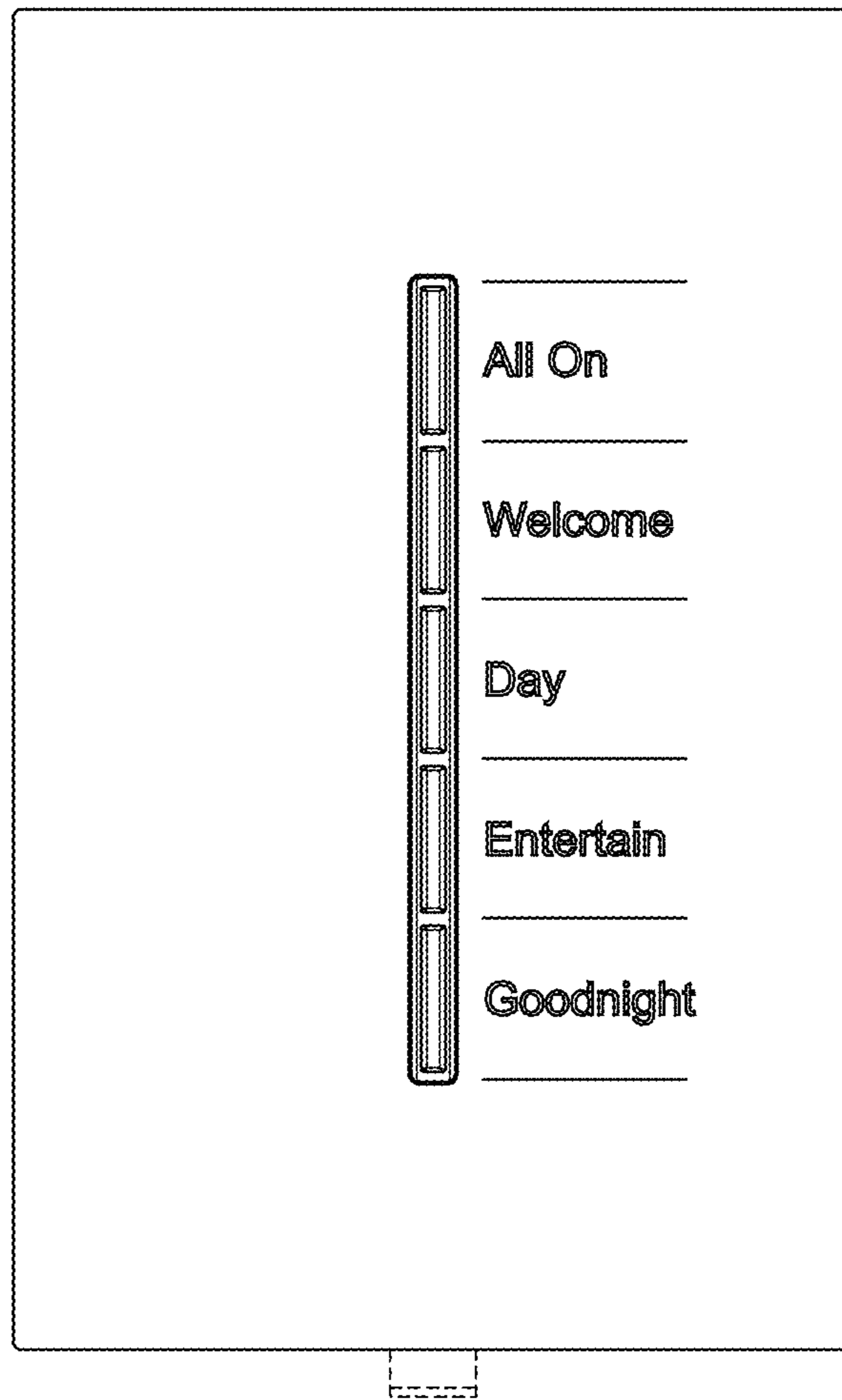


FIG. 2

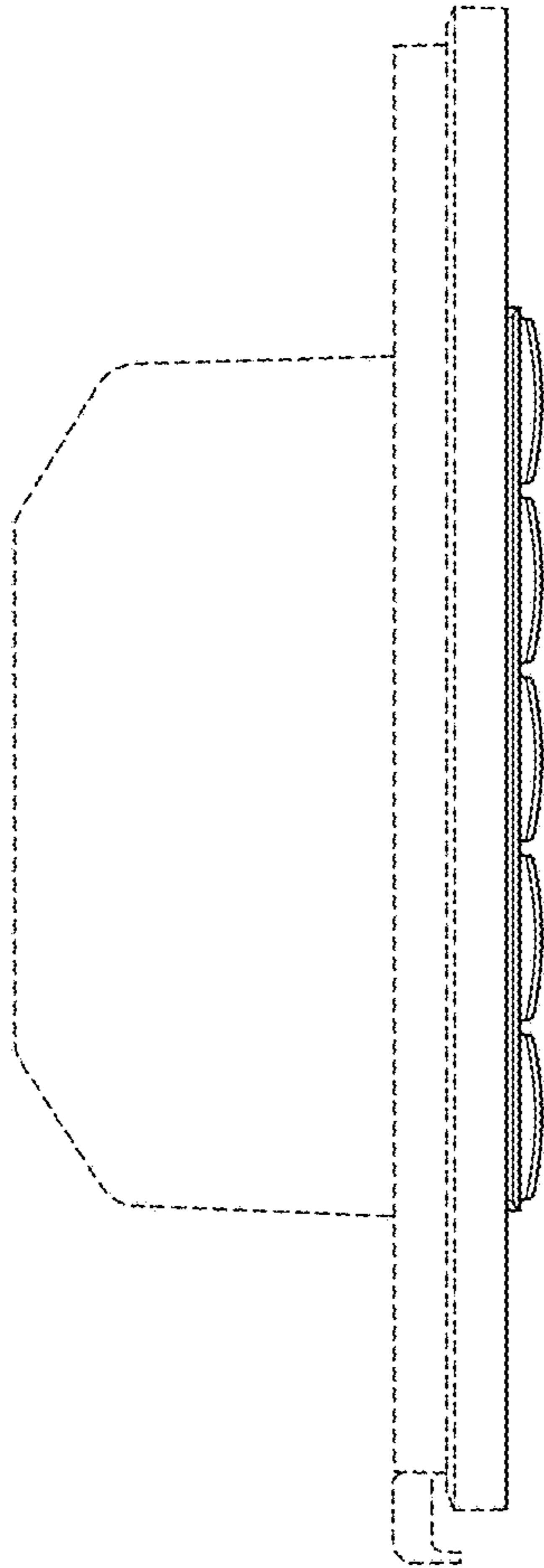


FIG. 3

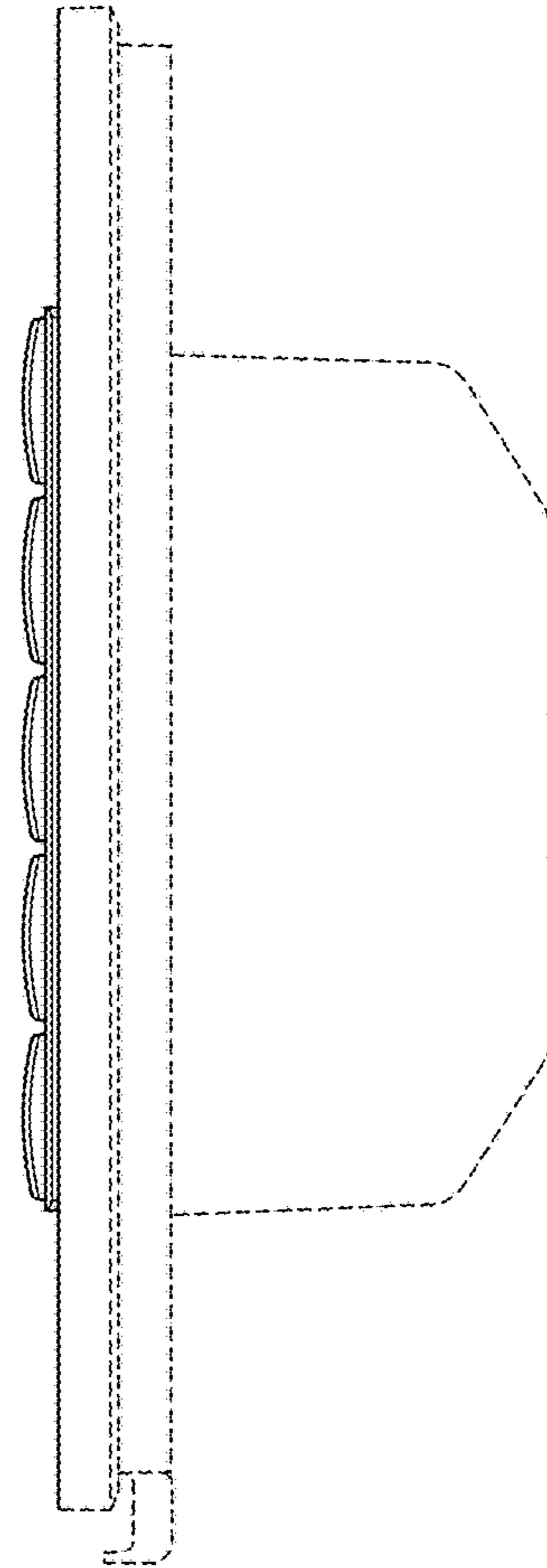


FIG. 4

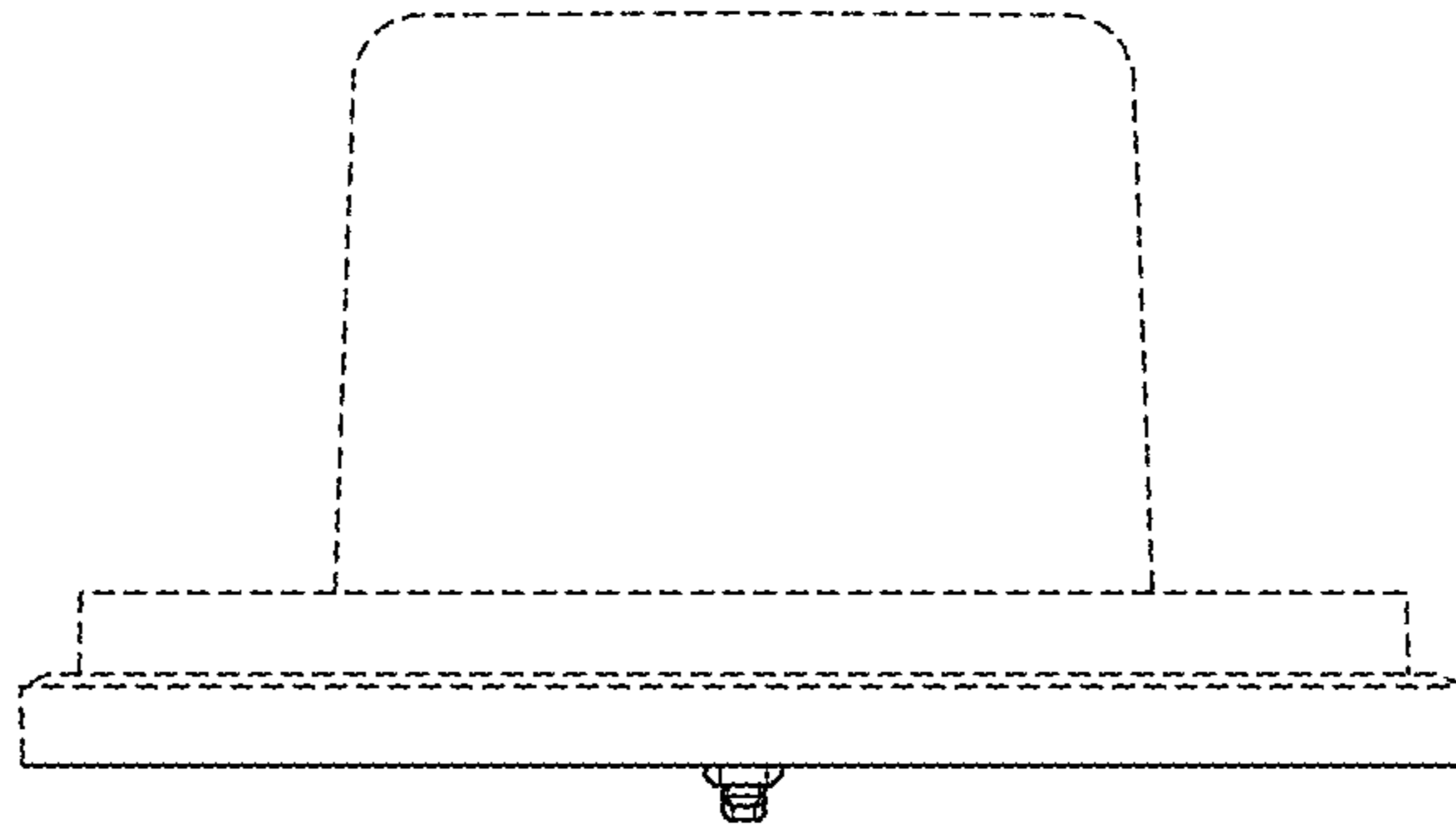


FIG. 5

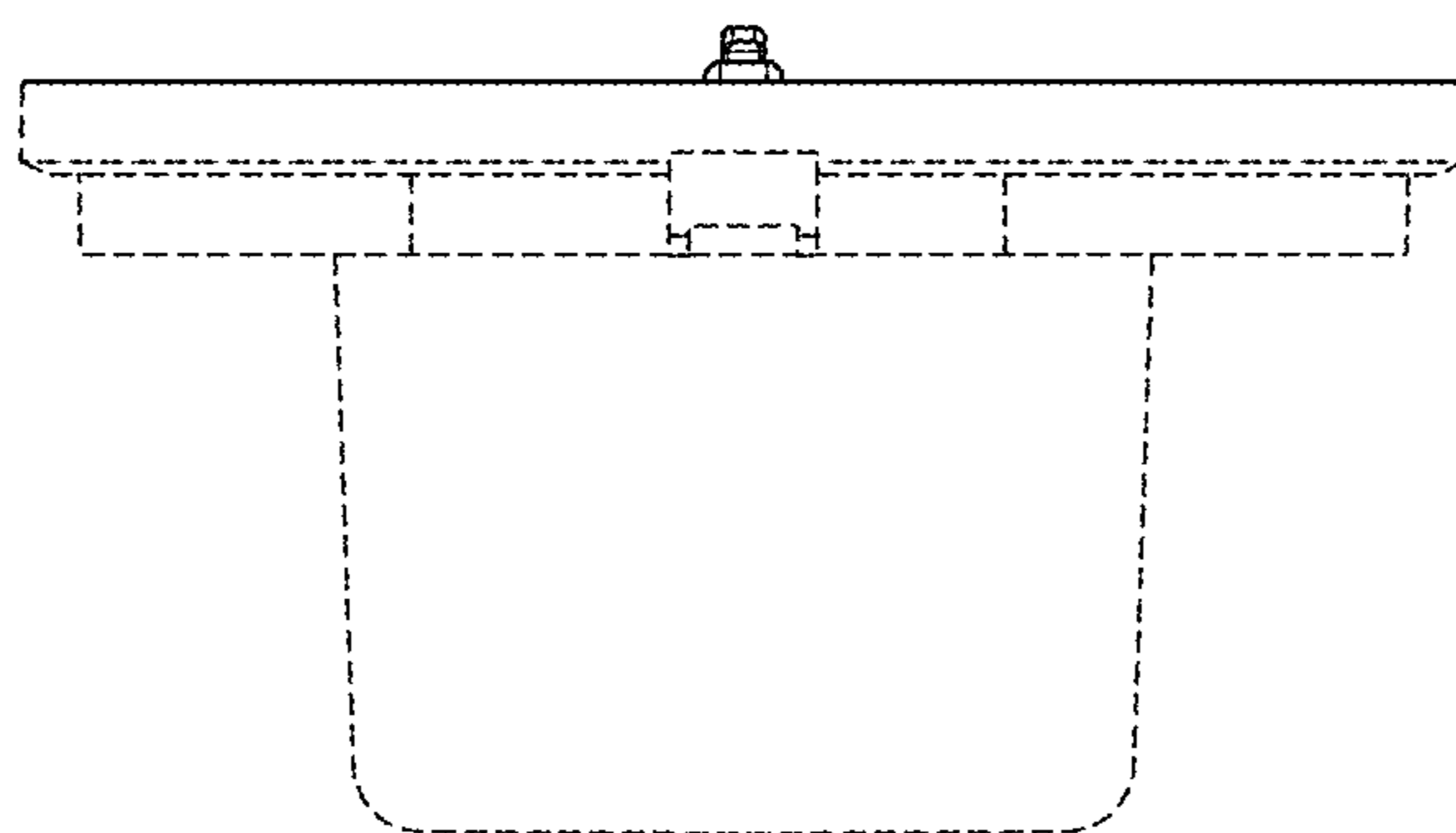


FIG. 6



FIG. 7

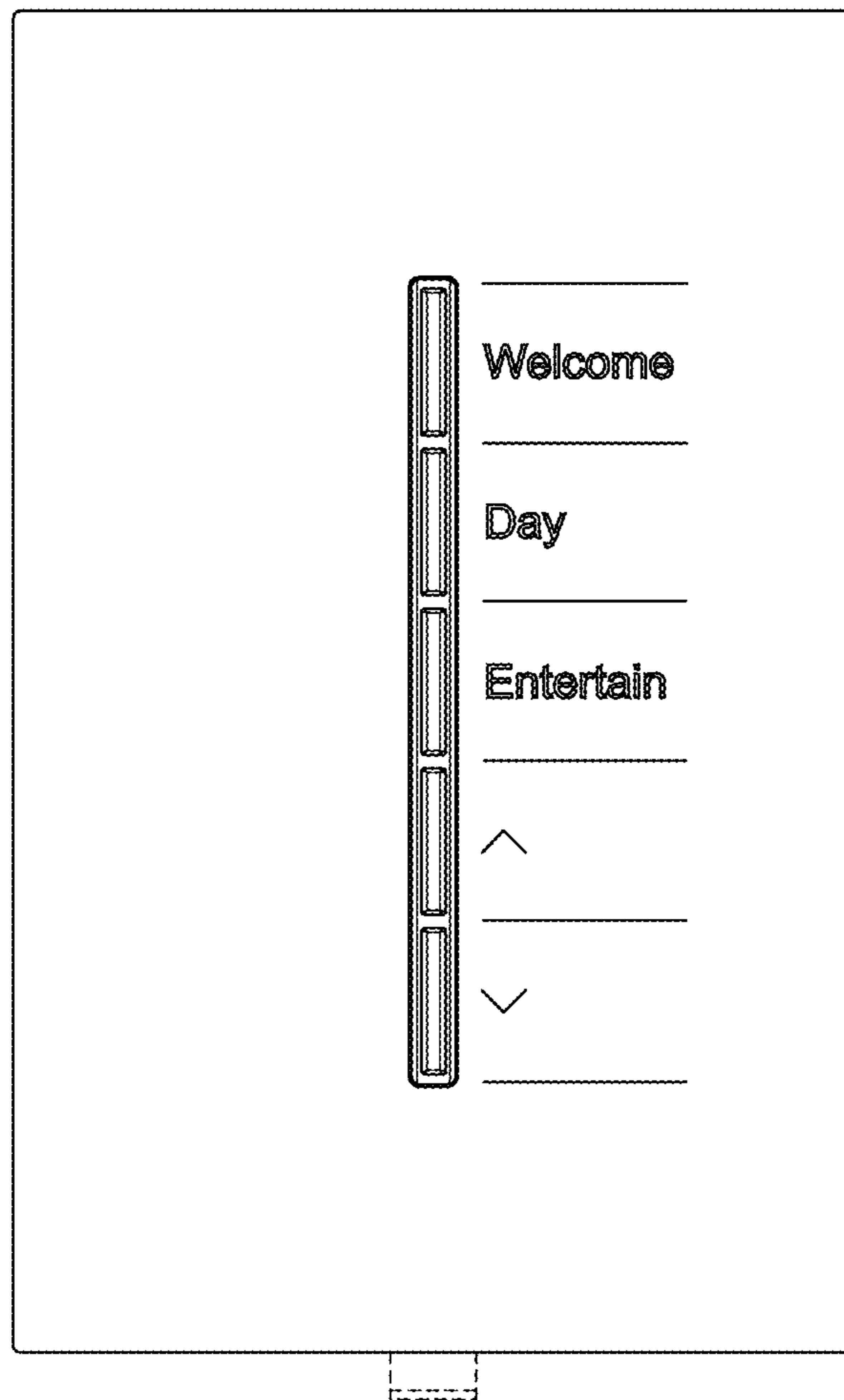


FIG. 8

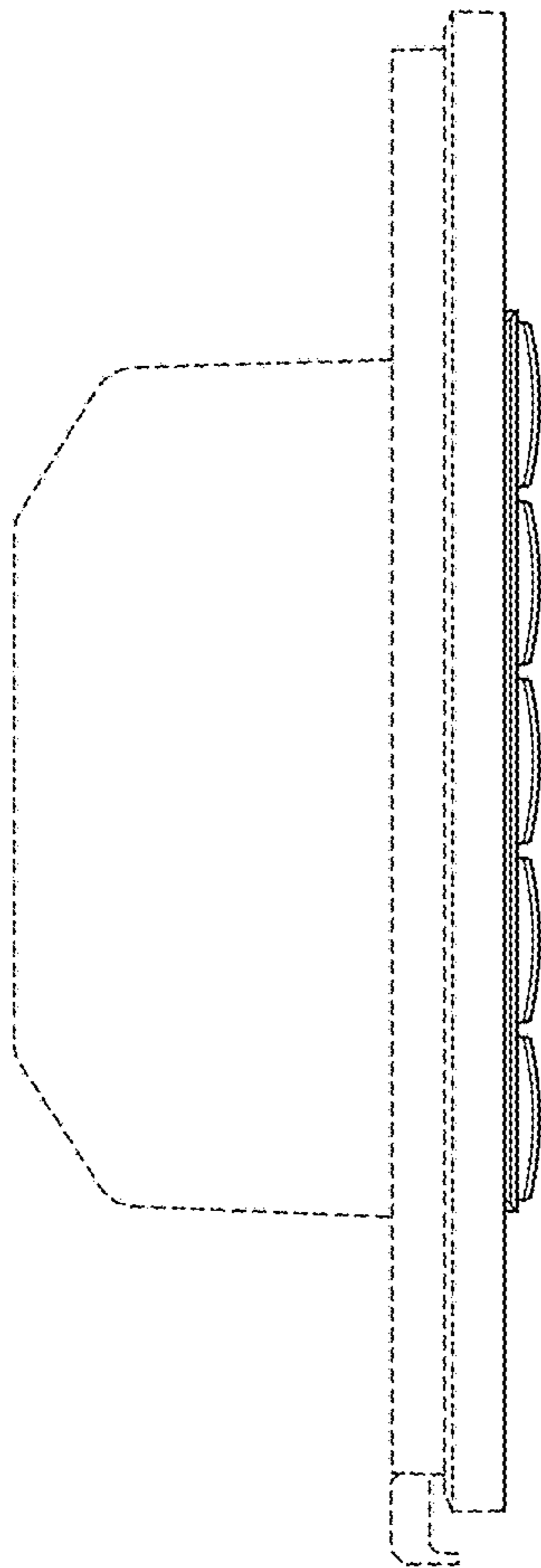


FIG. 9

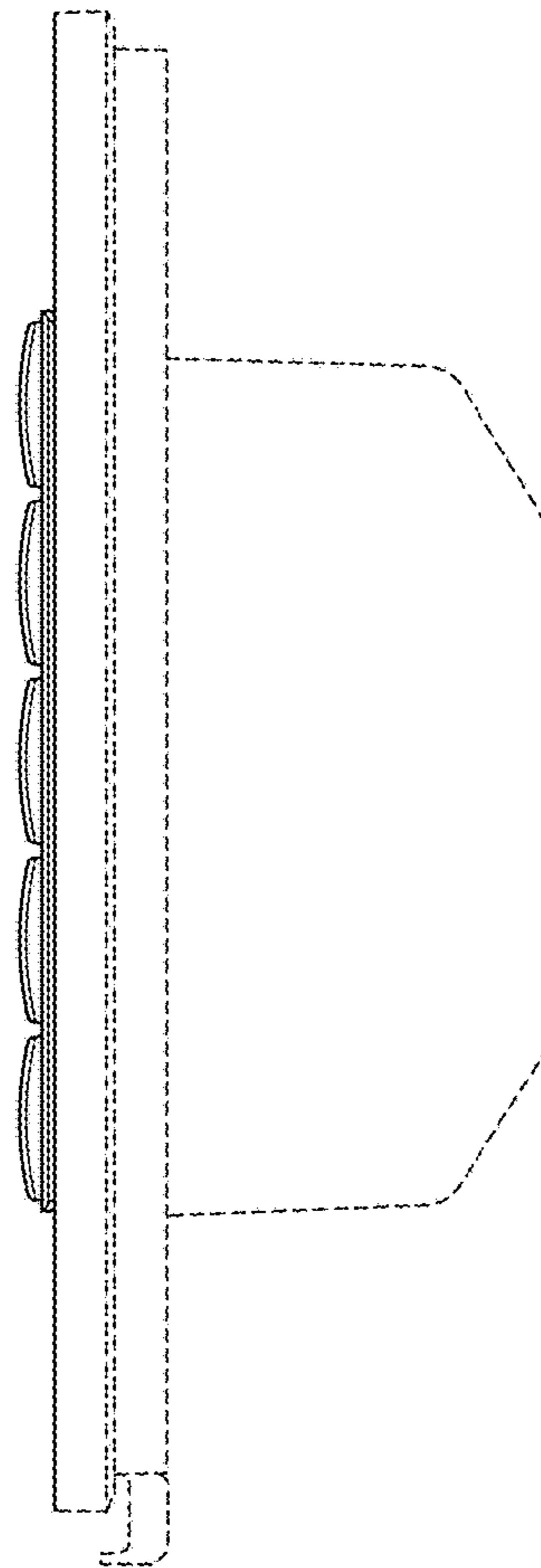


FIG. 10

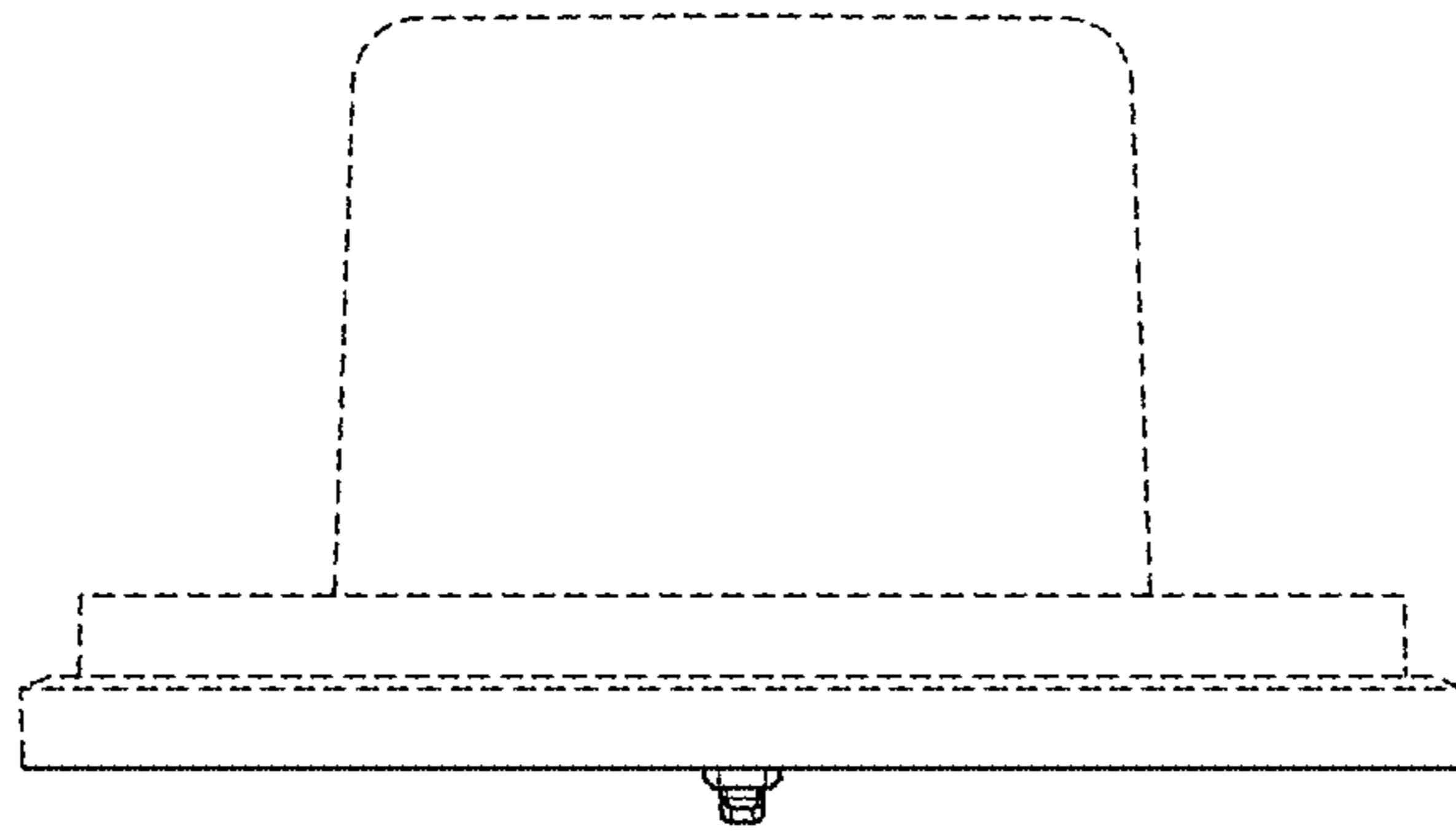


FIG. 11

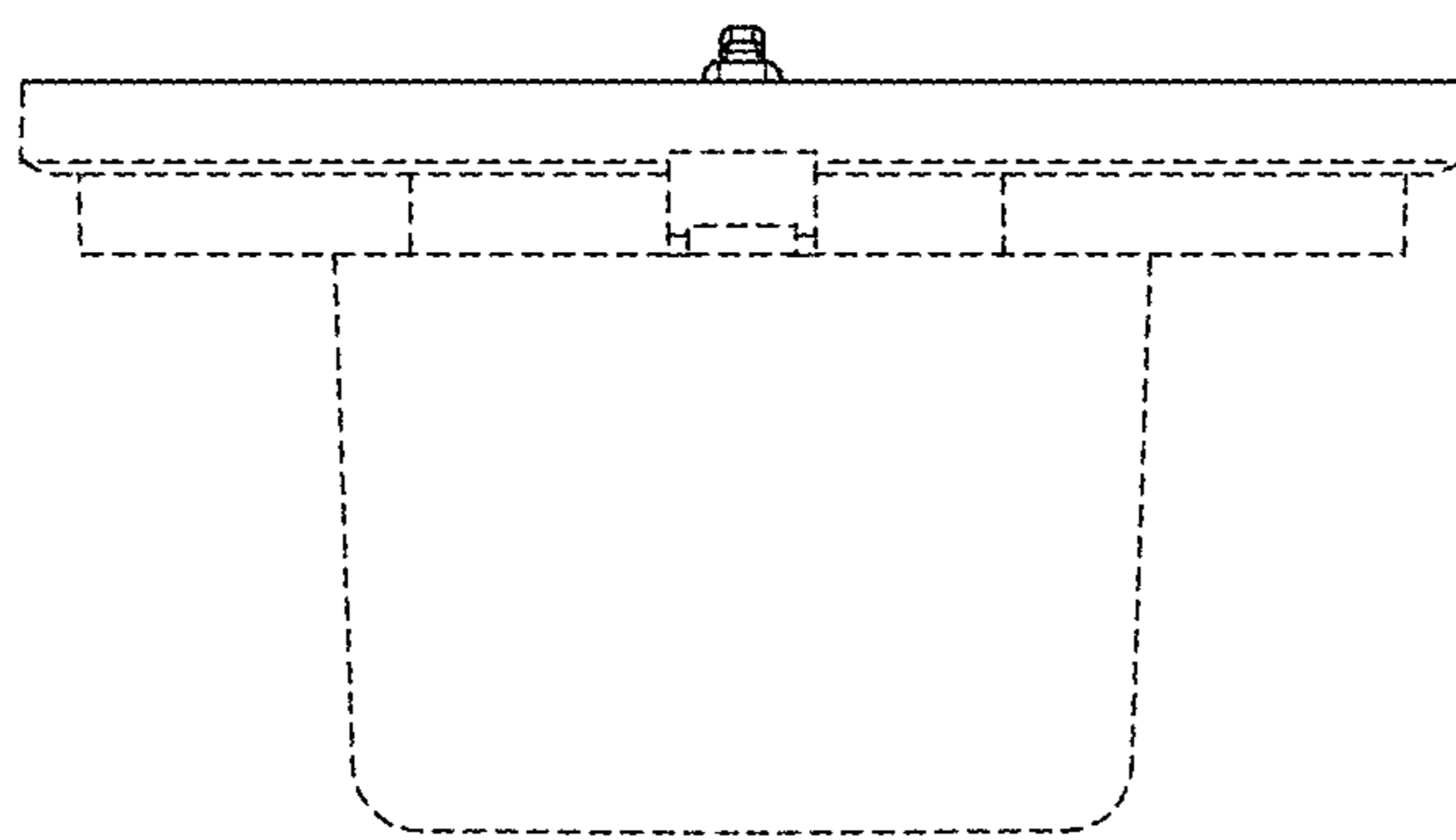


FIG. 12

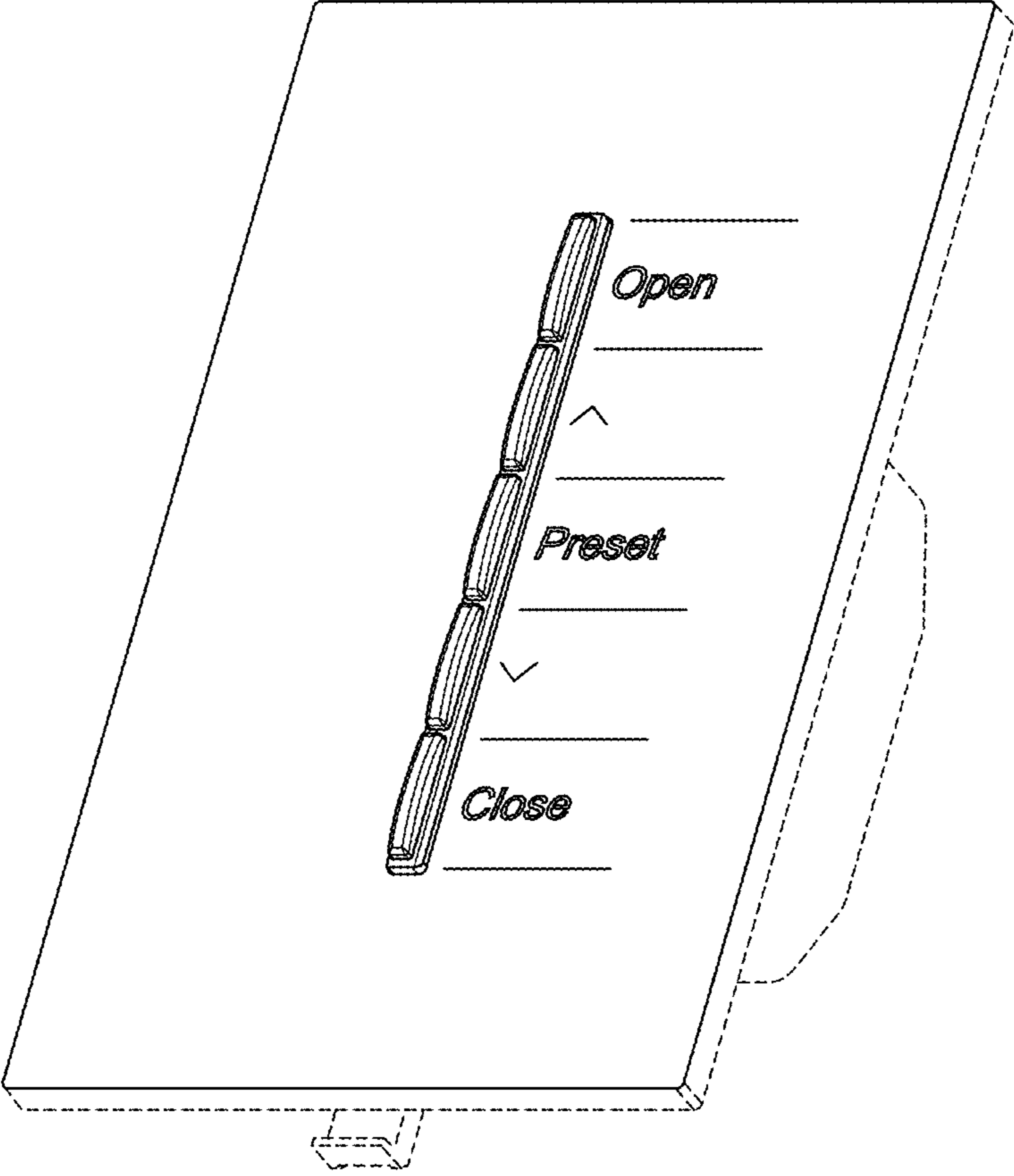


FIG. 13

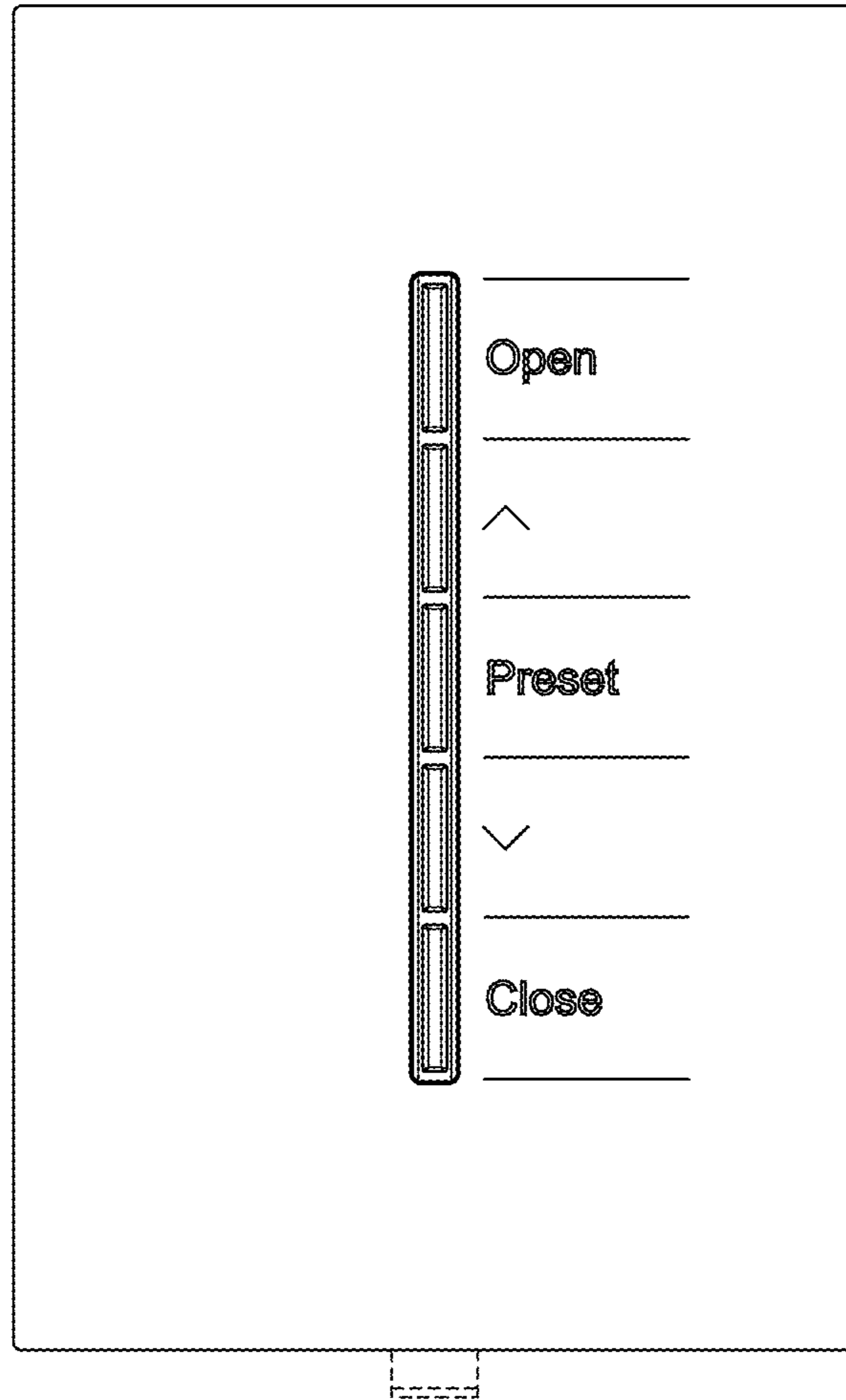


FIG. 14

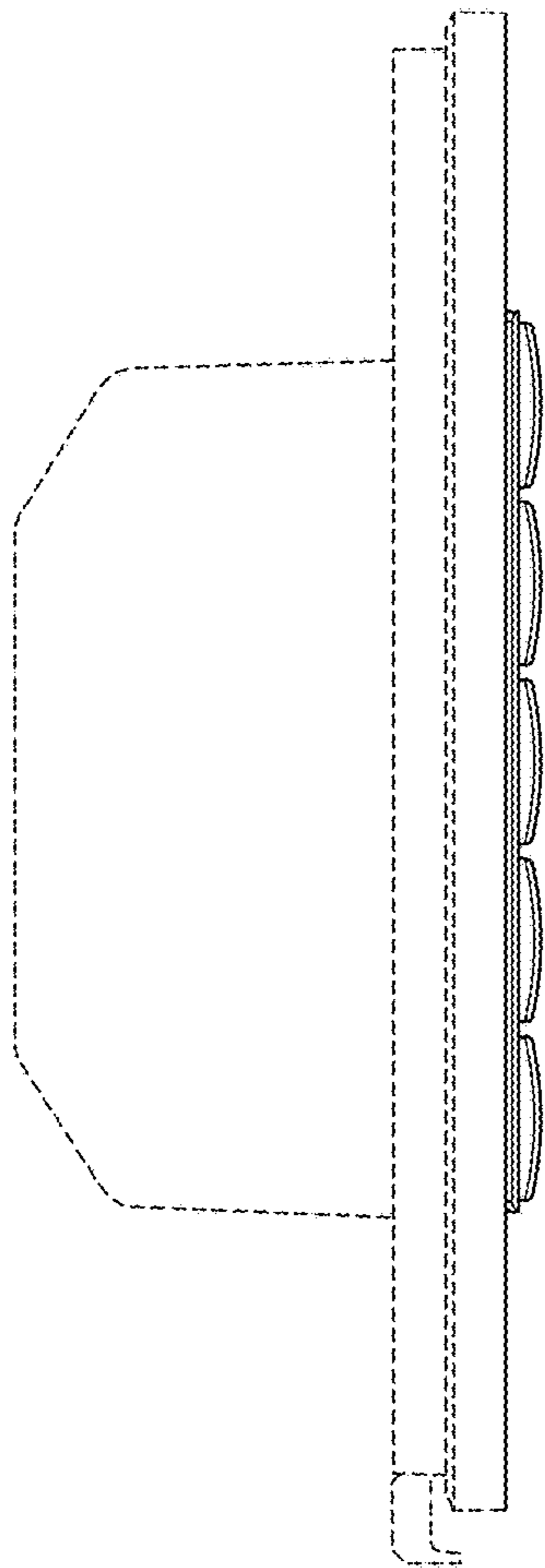


FIG. 15

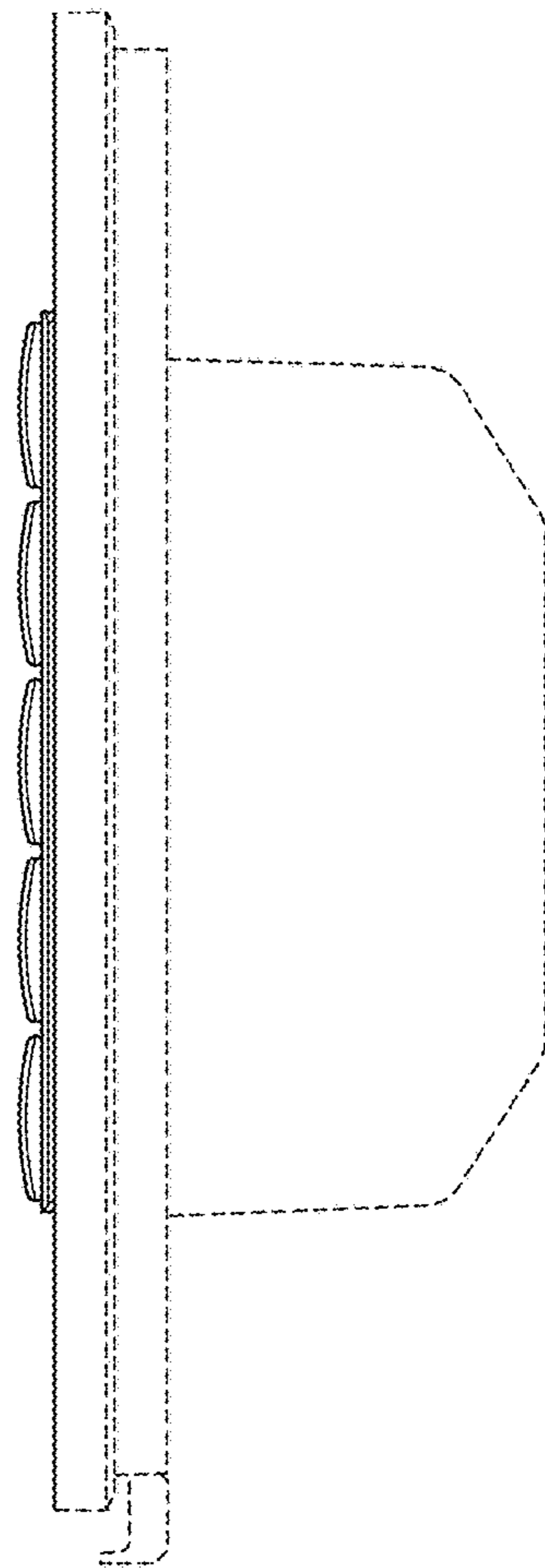


FIG. 16

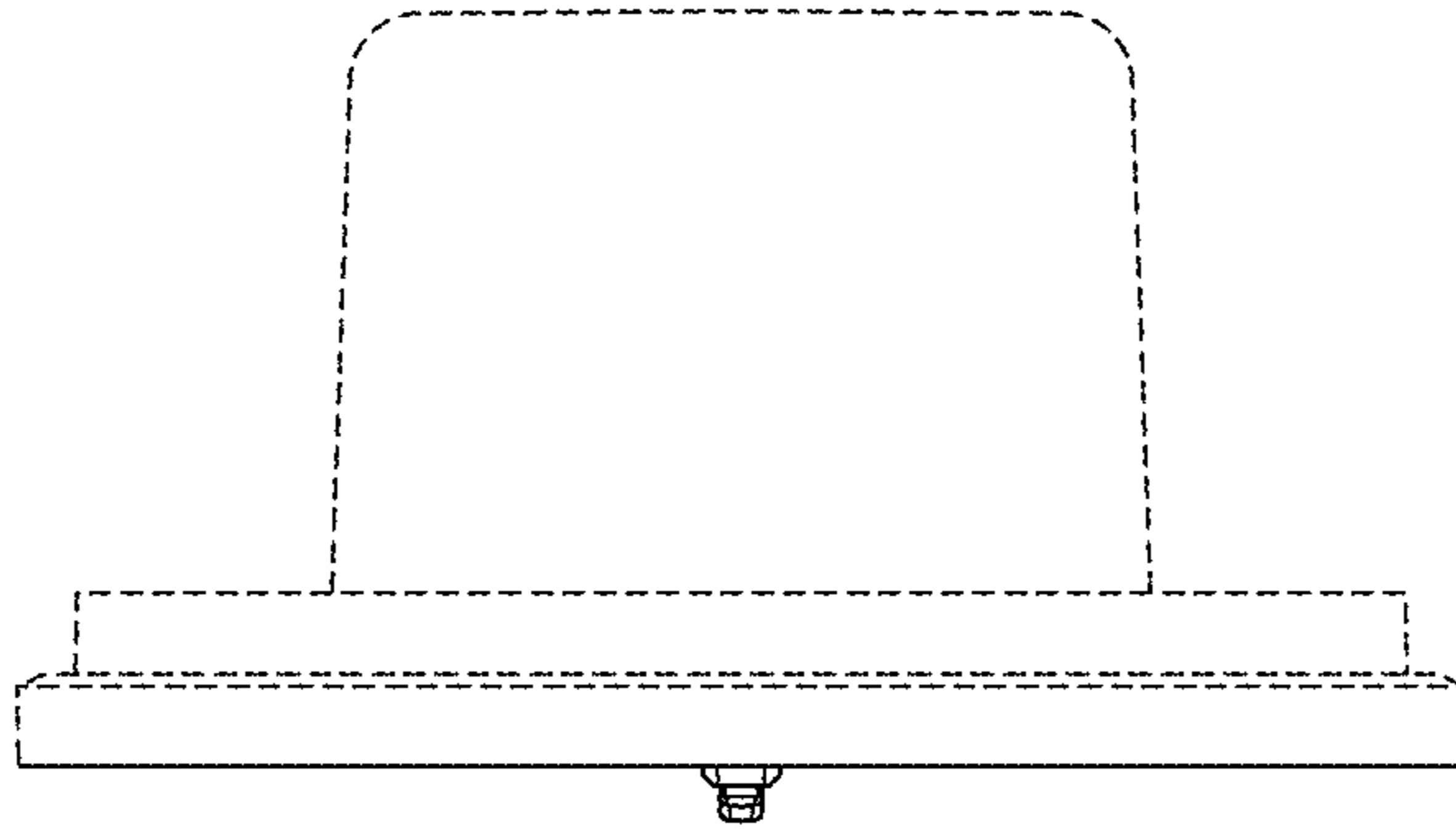


FIG. 17

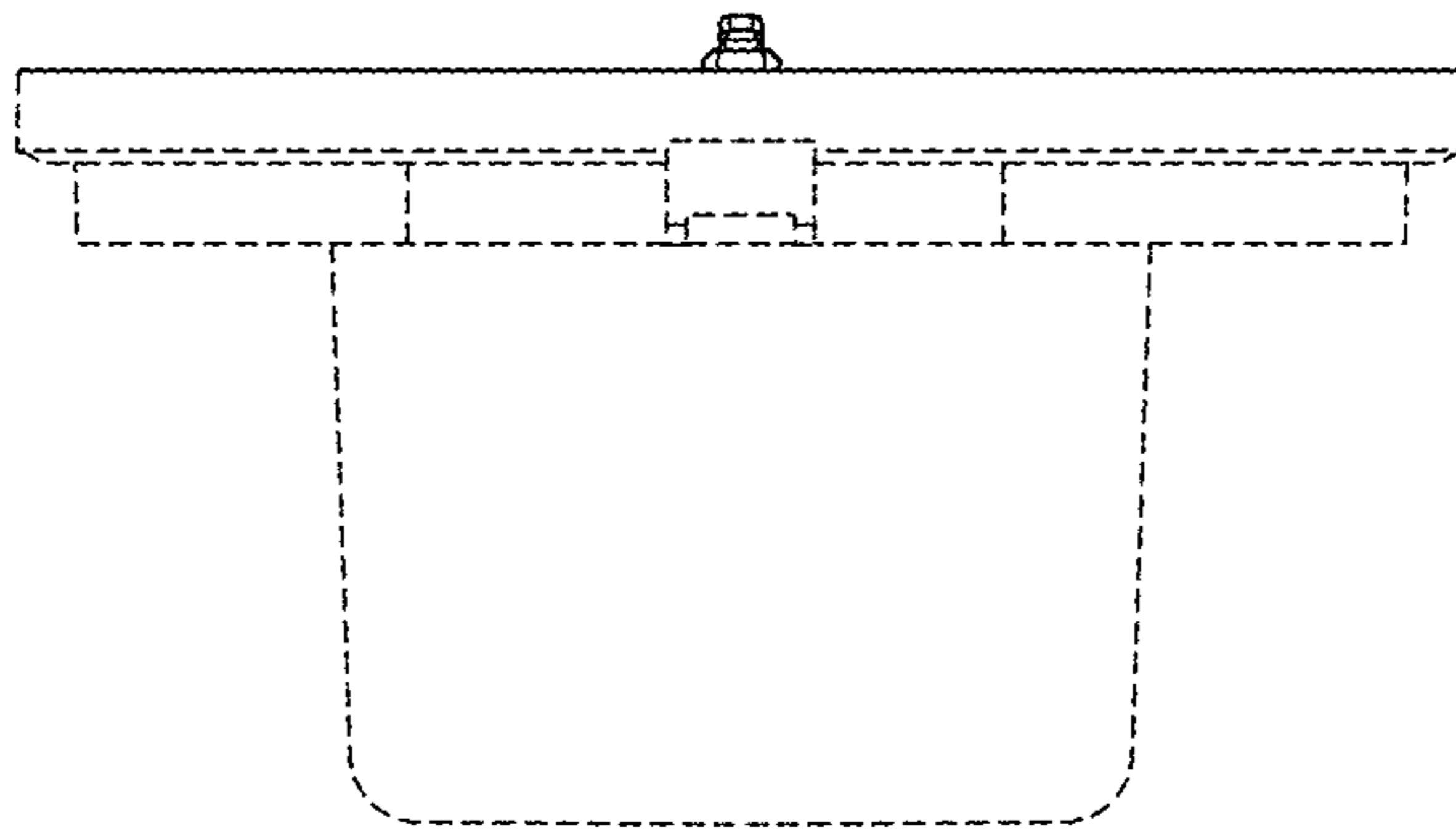


FIG. 18