



US00D793345S

(12) **United States Design Patent**  
**Ferrarese et al.**

(10) **Patent No.:** **US D793,345 S**

(45) **Date of Patent:** **\*\* Aug. 1, 2017**

(54) **SEAL GROOVE VENT**  
(71) Applicant: **Automatic Switch Company**, Florham Park, NJ (US)  
(72) Inventors: **Frank Alan Ferrarese**, West Caldwell, NJ (US); **Gregory Volz**, Pequannock, NJ (US); **Brian Gillespie**, Bridgewater, NJ (US)

(73) Assignee: **AUTOMATIC SWITCH COMPANY**, Florham Park, NJ (US)

(\*\*) Term: **15 Years**

(21) Appl. No.: **29/538,634**

(22) Filed: **Sep. 4, 2015**

(51) **LOC (10) Cl.** ..... **13-03**

(52) **U.S. Cl.**  
USPC ..... **D13/154**

(58) **Field of Classification Search**  
USPC ..... D13/120, 133, 146, 147, 154, 184, 199;  
D14/432, 433, 435, 435.1, 436, 437, 438  
CPC ..... Y10T 137/0318; Y10T 137/8242; Y10T  
137/87507; Y10T 137/87539; F16K 1/52;  
F16K 37/0041; F16K 27/02; F16K 47/08  
See application file for complete search history.

(56) **References Cited**

**U.S. PATENT DOCUMENTS**

2,713,989 A 7/1955 Bryant  
3,191,626 A 6/1965 Leibfritz

3,380,012 A \* 4/1968 Moulin ..... H01R 13/111  
439/436  
4,192,483 A 3/1980 Combes  
4,234,162 A 11/1980 Kay  
D650,741 S \* 12/2011 Sun ..... D13/133  
D773,402 S \* 12/2016 Sasano ..... D13/146  
2011/0252971 A1\* 10/2011 Ono ..... H05K 5/0213  
96/4

\* cited by examiner

*Primary Examiner* — Daniel Bui

(74) *Attorney, Agent, or Firm* — Locke Lord LLP

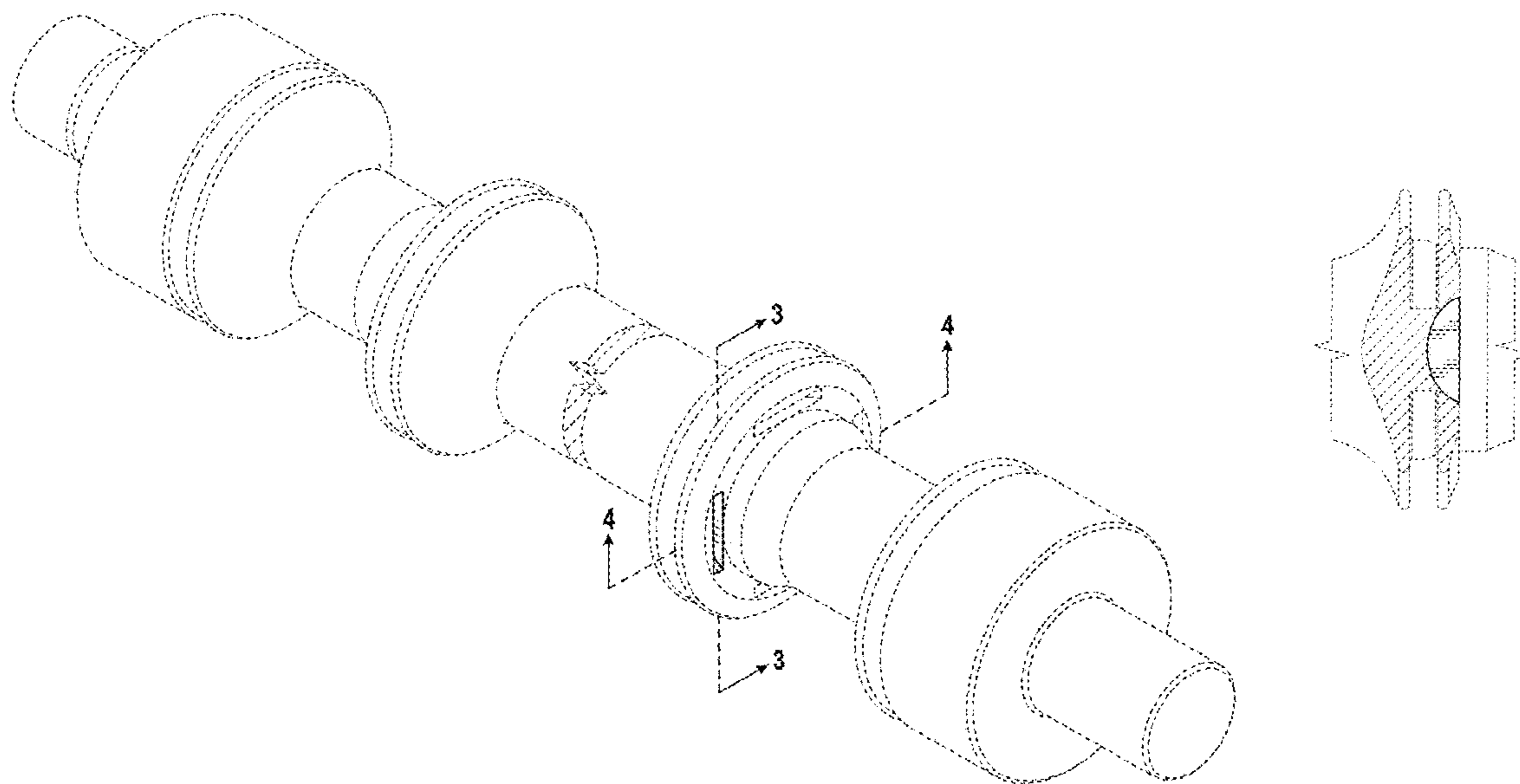
(57) **CLAIM**

The ornamental design for a seal groove vent, as shown and described.

**DESCRIPTION**

FIG. 1 is a perspective view of a seal groove vent showing our new design;  
FIG. 2 is a side view of the seal groove vent;  
FIG. 3 is a partial cross-sectional view showing the seal groove vent;  
FIG. 4 is a partial cross-sectional view showing the seal groove vent at a right angle to the view in FIG. 3.  
FIG. 5 is a partial cross-sectional view showing an end view of the seal groove vent; and,  
FIG. 6 is an enlarged side view of a portion of FIG. 2 showing the seal groove vent.  
The broken lines shown in the Figures are for the purpose of illustrating the environmental structure of the seal groove vent and form no part of the claimed design.

**1 Claim, 3 Drawing Sheets**



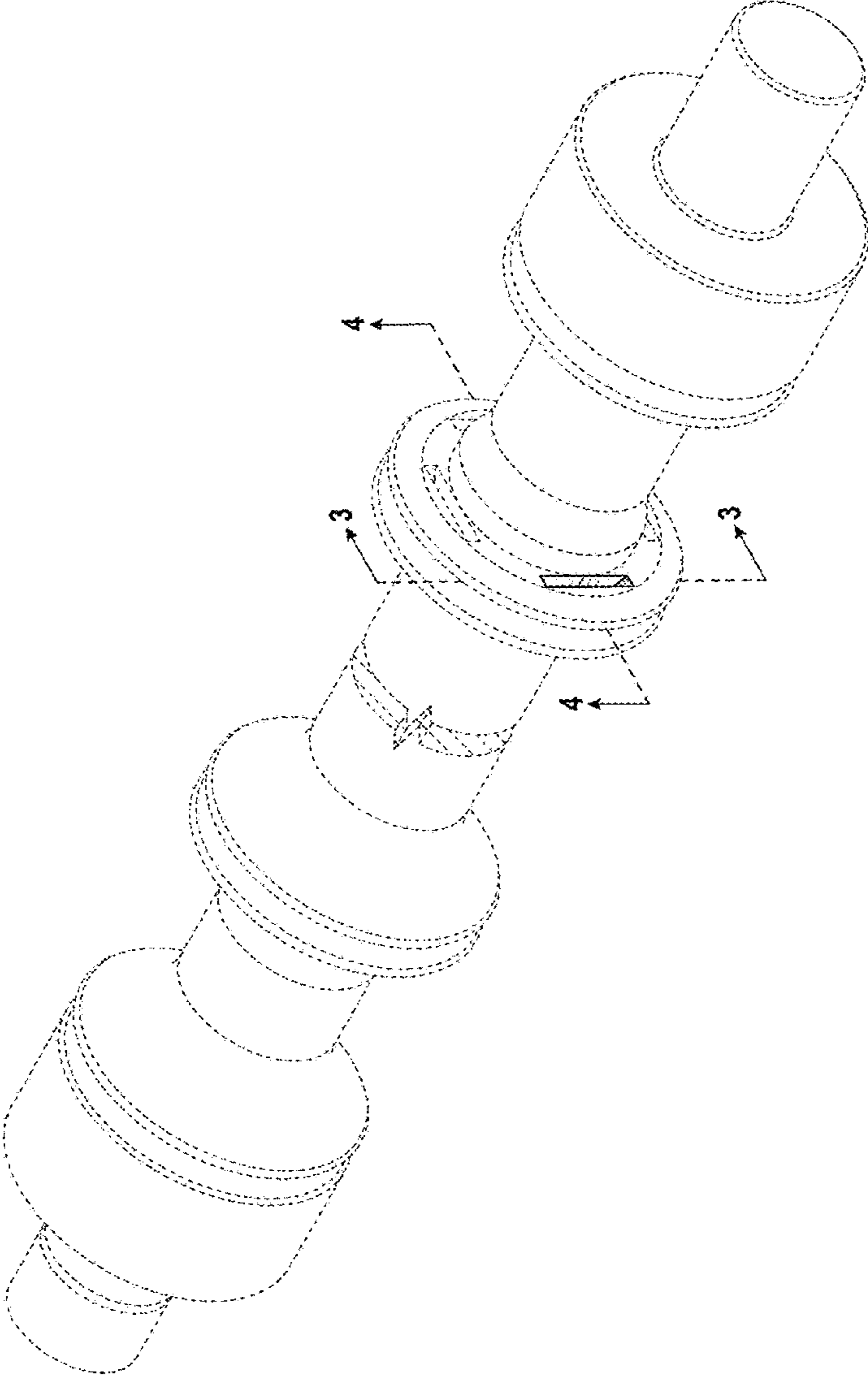


FIG. 1

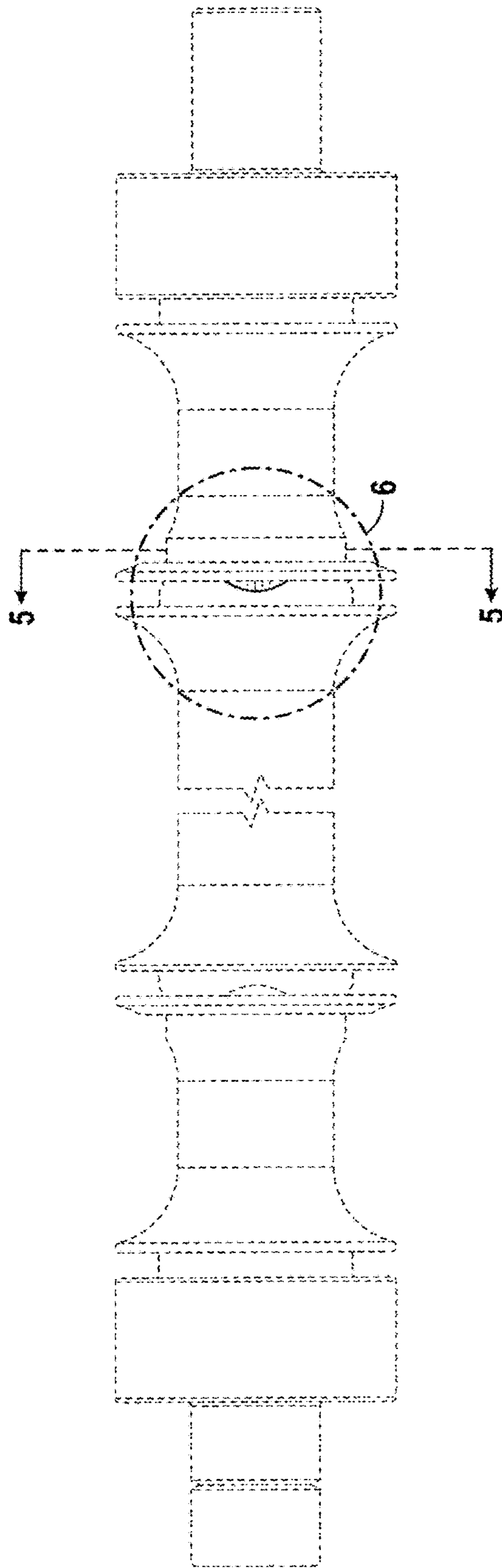


FIG. 2

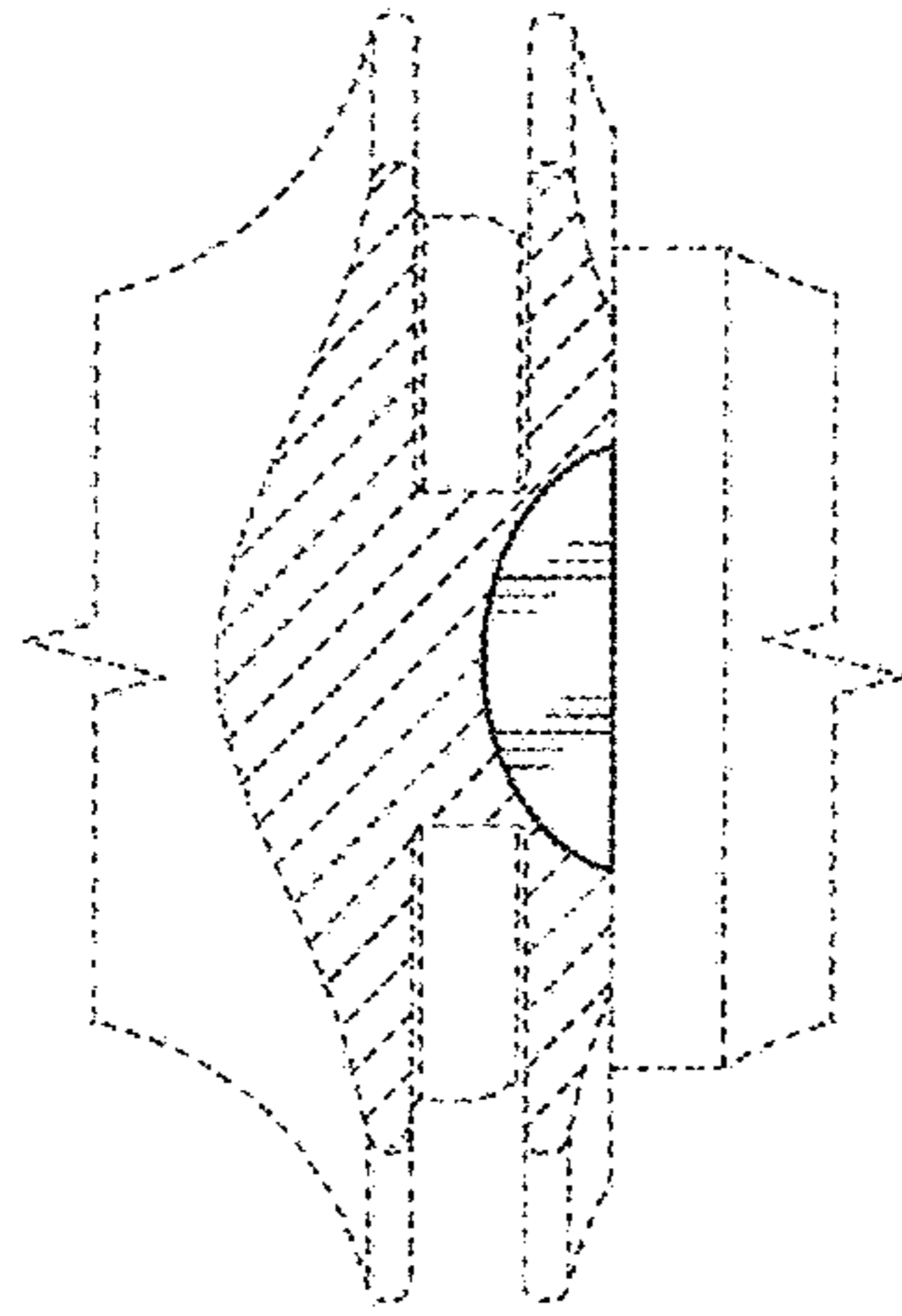


FIG. 3

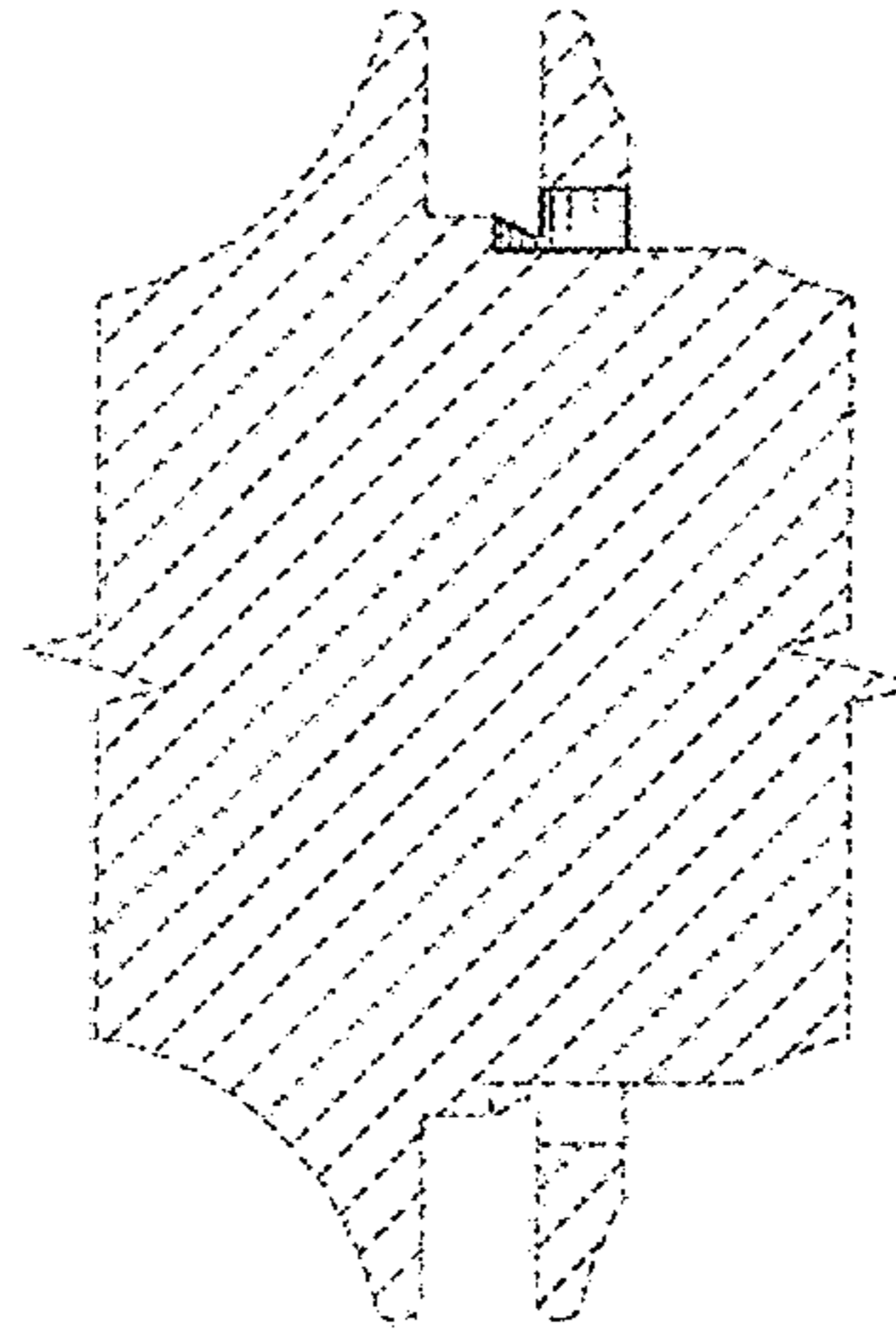


FIG. 4

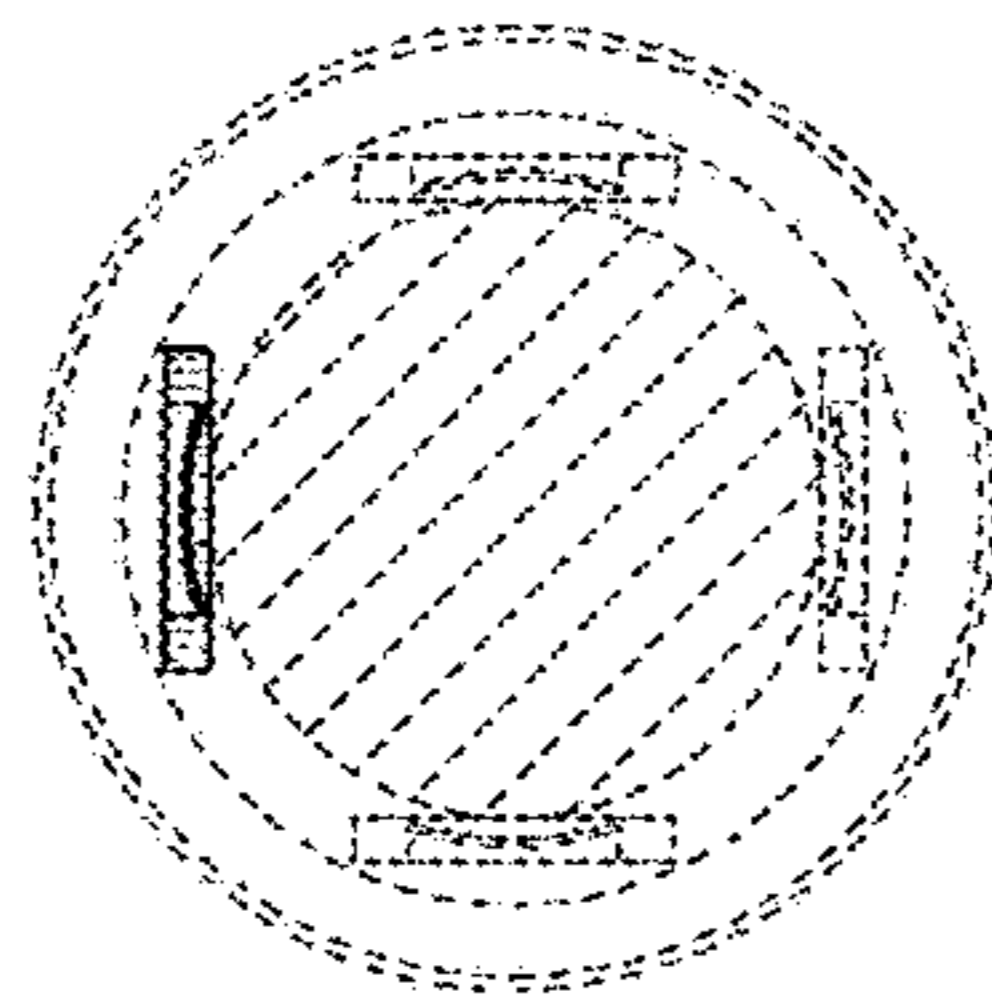


FIG. 5

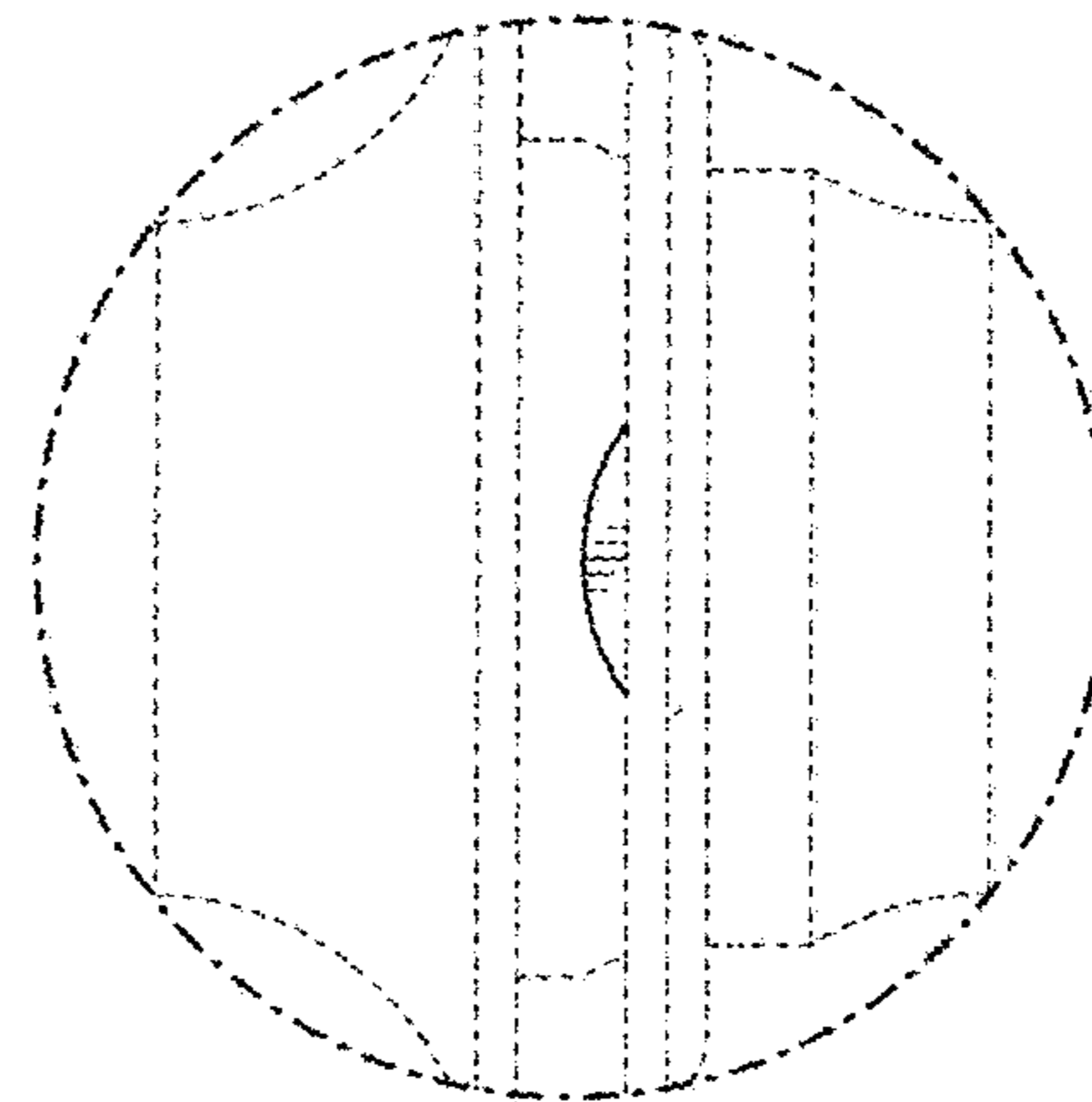


FIG. 6