



US00D793343S

(12) **United States Design Patent** (10) **Patent No.:** **US D793,343 S**
Byrne et al. (45) **Date of Patent:** **** Aug. 1, 2017**

(54) **RECEPTACLE FOR MODULAR WIRING SYSTEMS**

Primary Examiner — Rhea Shields
(74) *Attorney, Agent, or Firm* — Gardner, Linn, Burkhardt & Flory, LLP

(71) Applicants: **Norman R. Byrne**, Ada, MI (US);
Randell E. Pate, Jenison, MI (US);
Roger D. Burdi, Grand Rapids, MI (US);
Patrick E. Young, Rockford, MI (US)

(57) **CLAIM**

The ornamental design for a receptacle for modular wiring systems, as shown and described.

(72) Inventors: **Norman R. Byrne**, Ada, MI (US);
Randell E. Pate, Jenison, MI (US);
Roger D. Burdi, Grand Rapids, MI (US);
Patrick E. Young, Rockford, MI (US)

DESCRIPTION

(**) Term: **15 Years**

FIG. 1 is a front perspective view of a receptacle for modular wiring systems showing our new design;
 FIG. 2 is another front perspective view taken from an opposite end thereof;
 FIG. 3 is a front elevation thereof;
 FIG. 4 is a left side elevation thereof;
 FIG. 5 is a right side elevation thereof;
 FIG. 6 is a bottom plan view thereof;
 FIG. 7 is a top plan view thereof;
 FIG. 8 is a front perspective view of another receptacle for modular wiring systems showing our new design;
 FIG. 9 is another front perspective view taken from an opposite end thereof;
 FIG. 10 is a front elevation thereof;
 FIG. 11 is a left side elevation thereof;
 FIG. 12 is a right side elevation thereof;
 FIG. 13 is a bottom plan view thereof;
 FIG. 14 is a top plan view thereof;
 FIG. 15 is a front perspective view of another receptacle for modular wiring systems showing our new design;
 FIG. 16 is another front perspective view taken from an opposite end thereof;
 FIG. 17 is a front elevation thereof;
 FIG. 18 is a left side elevation thereof;
 FIG. 19 is a right elevation thereof;
 FIG. 20 is a bottom plan view thereof; and,
 FIG. 21 is a top plan view thereof.
 In the drawings, the broken lines depict unclaimed subject matter only and form no part of the claimed design.

(21) Appl. No.: **29/553,670**

(22) Filed: **Feb. 3, 2016**

Related U.S. Application Data

(63) Continuation-in-part of application No. 14/291,791, filed on May 30, 2014, now Pat. No. 9,257,823.

(51) **LOC (10) Cl.** **13-03**

(52) **U.S. Cl.**
USPC **D13/152**

(58) **Field of Classification Search**
USPC D13/152, 153, 155, 139.1, 139.4, 133,
D13/137.1, 184; D26/113; 174/53
(Continued)

(56) **References Cited**

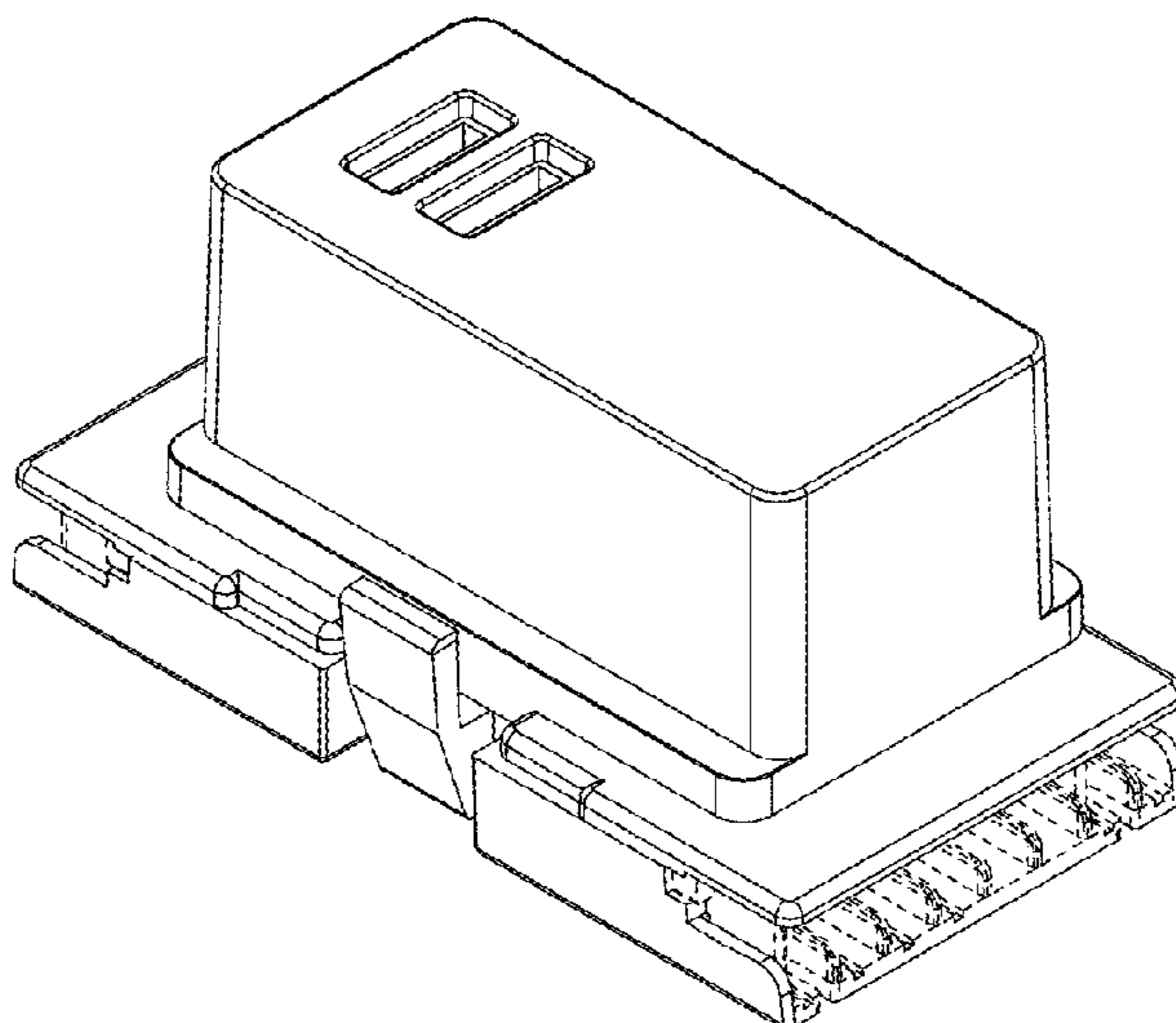
U.S. PATENT DOCUMENTS

1,187,010 A 6/1916 Rodrigues
2,313,960 A 3/1943 O'Brien
(Continued)

OTHER PUBLICATIONS

Photos of Applicant's product on sale at least as early as May 2013.

1 Claim, 6 Drawing Sheets



(58) **Field of Classification Search**
 CPC H01R 27/02
 See application file for complete search history.

(56) **References Cited**

U.S. PATENT DOCUMENTS

2,320,332 A 5/1943 Morten
 2,540,575 A 2/1951 Finizie
 4,135,775 A 1/1979 Driscoll
 4,367,370 A 1/1983 Wilson et al.
 4,382,648 A 5/1983 Propst
 4,551,577 A 11/1985 Byrne
 4,775,328 A 10/1988 McCarthy
 4,781,609 A 11/1988 Wilson et al.
 4,959,021 A 9/1990 Byrne
 4,990,110 A 2/1991 Byrne
 4,993,576 A 2/1991 Byrne
 5,013,252 A 5/1991 Nienhuis
 5,041,002 A 8/1991 Byrne
 5,073,120 A 12/1991 Lincoln
 5,087,207 A 2/1992 Byrne
 5,096,431 A 3/1992 Byrne
 5,096,434 A 3/1992 Byrne
 5,117,122 A * 5/1992 Hogarth H01R 27/02
 174/53
 5,164,544 A 11/1992 Snodgrass
 5,178,555 A 1/1993 Kilpatrick
 5,203,712 A 4/1993 Kilpatrick et al.
 5,252,086 A 10/1993 Russell et al.
 5,259,787 A 11/1993 Byrne
 5,582,522 A 12/1996 Johnson
 5,595,495 A 1/1997 Johnson et al.
 5,941,720 A 8/1999 Byrne
 6,027,352 A 2/2000 Byrne
 6,036,516 A 3/2000 Byrne
 6,036,517 A 3/2000 Byrne
 6,315,589 B1 11/2001 Inniss et al.
 6,405,139 B1 6/2002 Kicinski et al.

6,445,571 B1 9/2002 Inniss et al.
 6,540,536 B1 4/2003 Young
 6,559,556 B1 5/2003 Wills
 6,857,896 B2 2/2005 Rupert et al.
 7,264,499 B2 9/2007 Kondas
 7,410,379 B1 8/2008 Byrne
 7,455,535 B2 11/2008 Insalaco et al.
 7,465,178 B2 12/2008 Byrne
 7,520,762 B2 4/2009 Lehman et al.
 7,559,795 B2 7/2009 Byrne
 7,641,510 B2 1/2010 Byrne
 7,905,737 B2 3/2011 Byrne
 8,033,846 B2 10/2011 Youssefi-Shams et al.
 8,317,547 B2 11/2012 Riner et al.
 8,350,406 B2 1/2013 Byrne et al.
 8,444,425 B2 5/2013 Byrne
 8,496,492 B2 7/2013 Byrne
 8,512,065 B2 8/2013 Byrne et al.
 8,585,419 B2 11/2013 Byrne
 8,680,709 B2 3/2014 Byrne et al.
 8,696,371 B2 4/2014 Byrne
 8,736,106 B2 5/2014 Byrne et al.
 D708,146 S * 7/2014 Soni D13/155
 8,790,126 B2 7/2014 Byrne
 8,801,445 B2 8/2014 Byrne
 D720,295 S * 12/2014 Dodal D13/139.1
 9,048,598 B2 6/2015 Byrne
 9,166,308 B2 10/2015 Byrne
 9,225,101 B2 12/2015 Byrne
 D755,128 S * 5/2016 Page D13/139.4
 D755,129 S * 5/2016 Page D13/139.4
 D761,205 S * 7/2016 Zhu D13/133
 D765,033 S * 8/2016 Oosterman D13/139.1
 D773,721 S * 12/2016 Hrach D26/113
 D775,076 S * 12/2016 Tsai D13/137.1
 D778,853 S * 2/2017 Skowranek D13/184
 2008/0214033 A1 9/2008 Byrne
 2012/0127637 A1 5/2012 Byrne et al.
 2014/0179132 A1 6/2014 Byrne

* cited by examiner

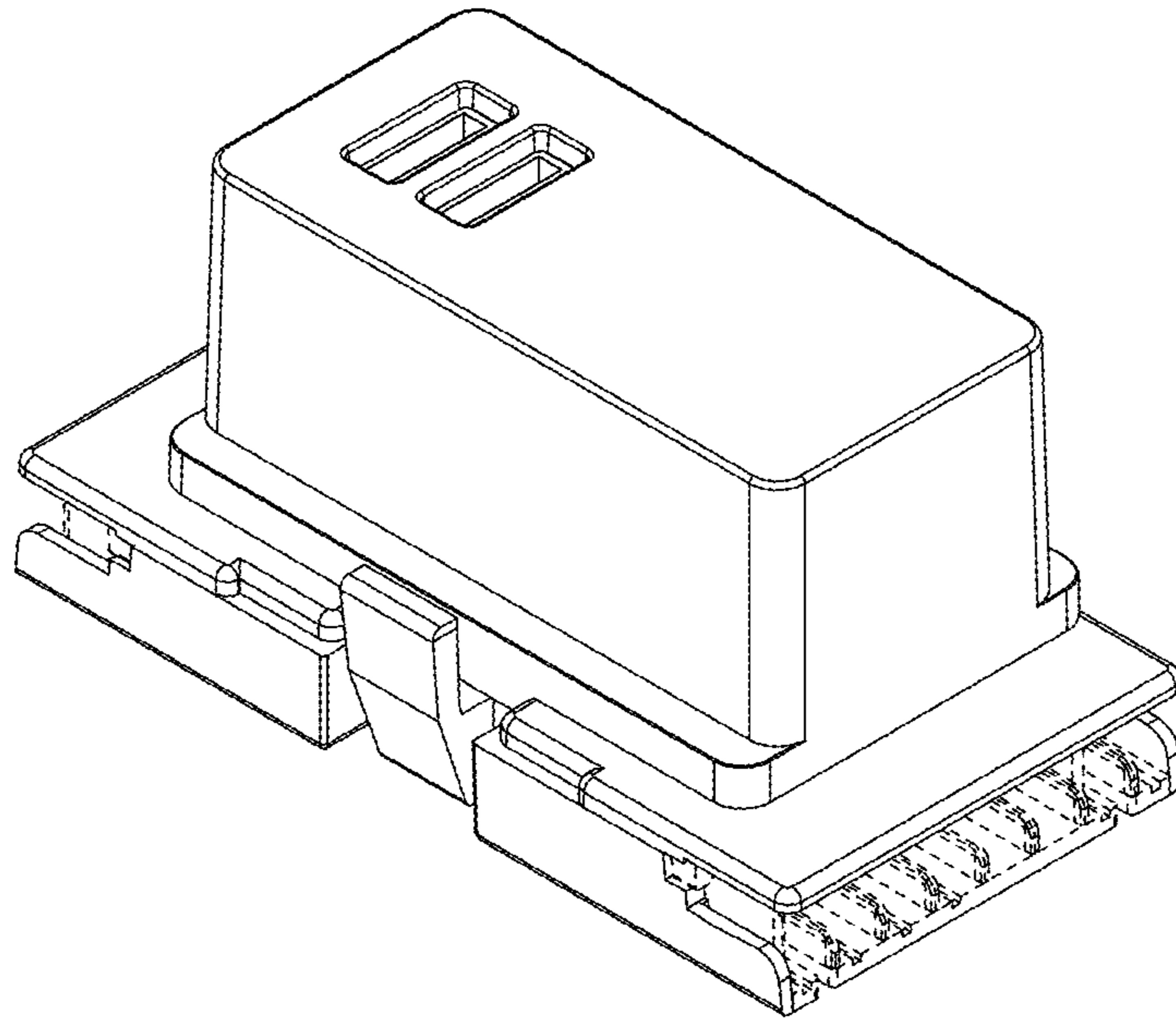


Fig. 1

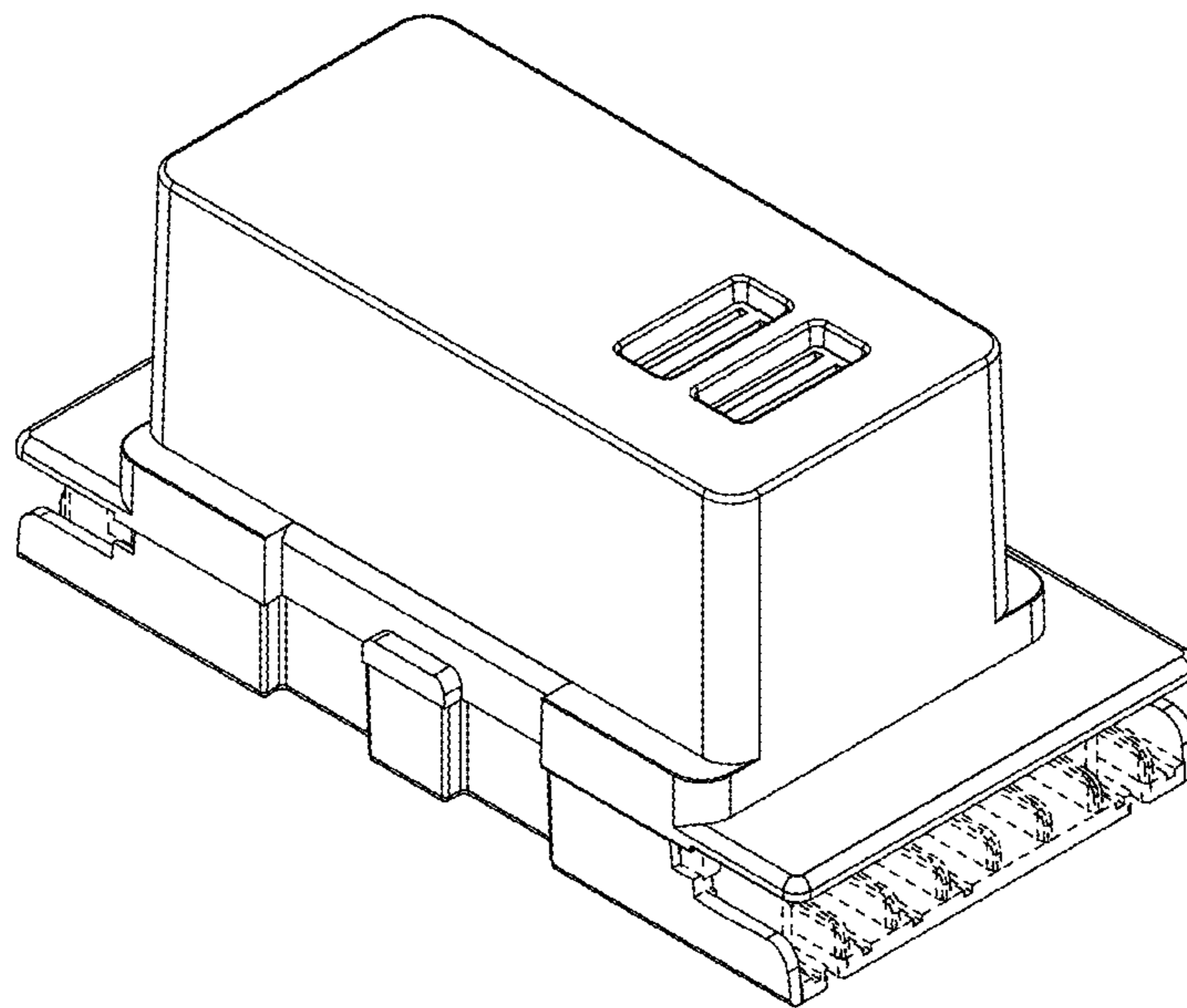


Fig. 2

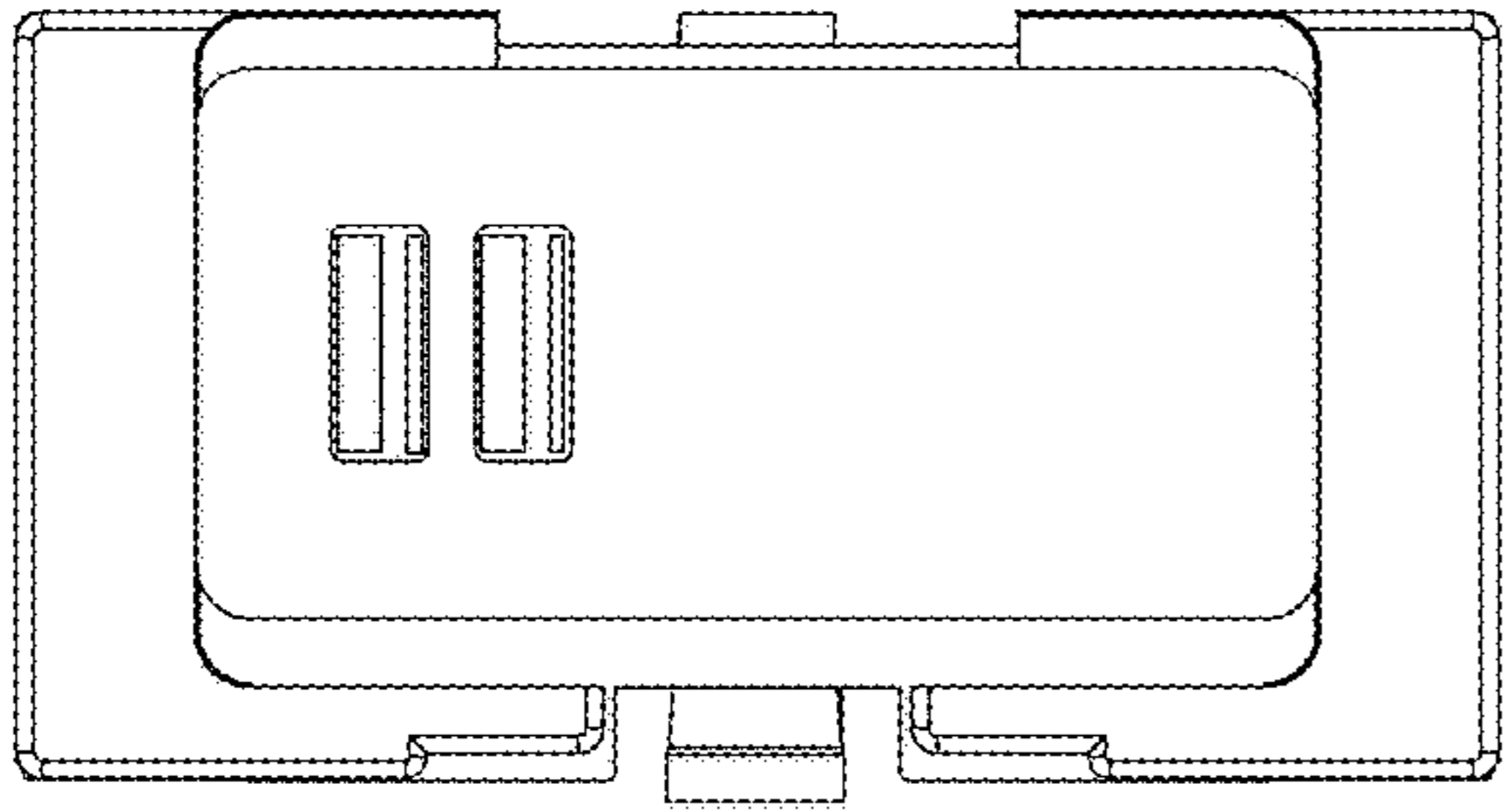


Fig. 3

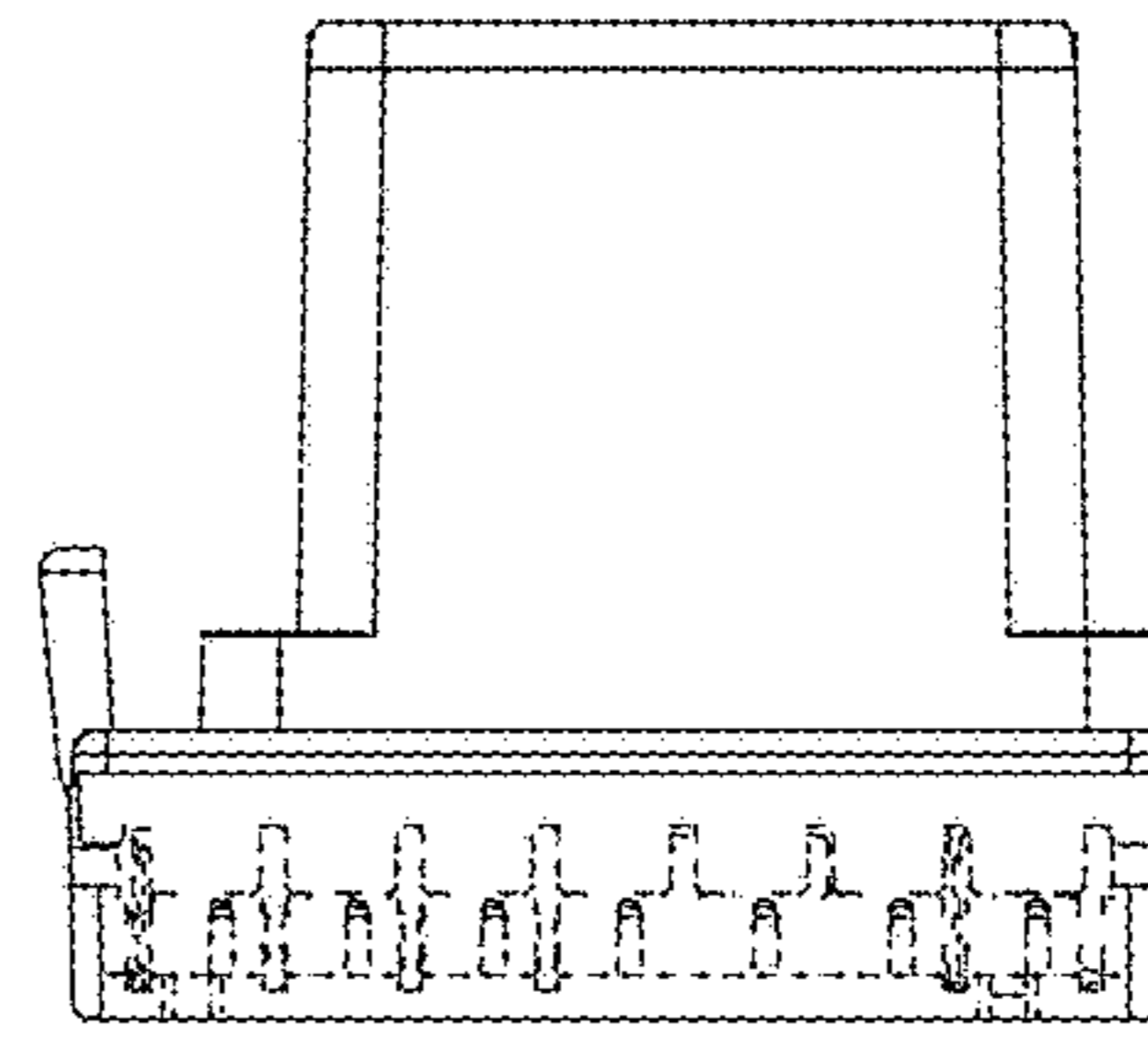


Fig. 4

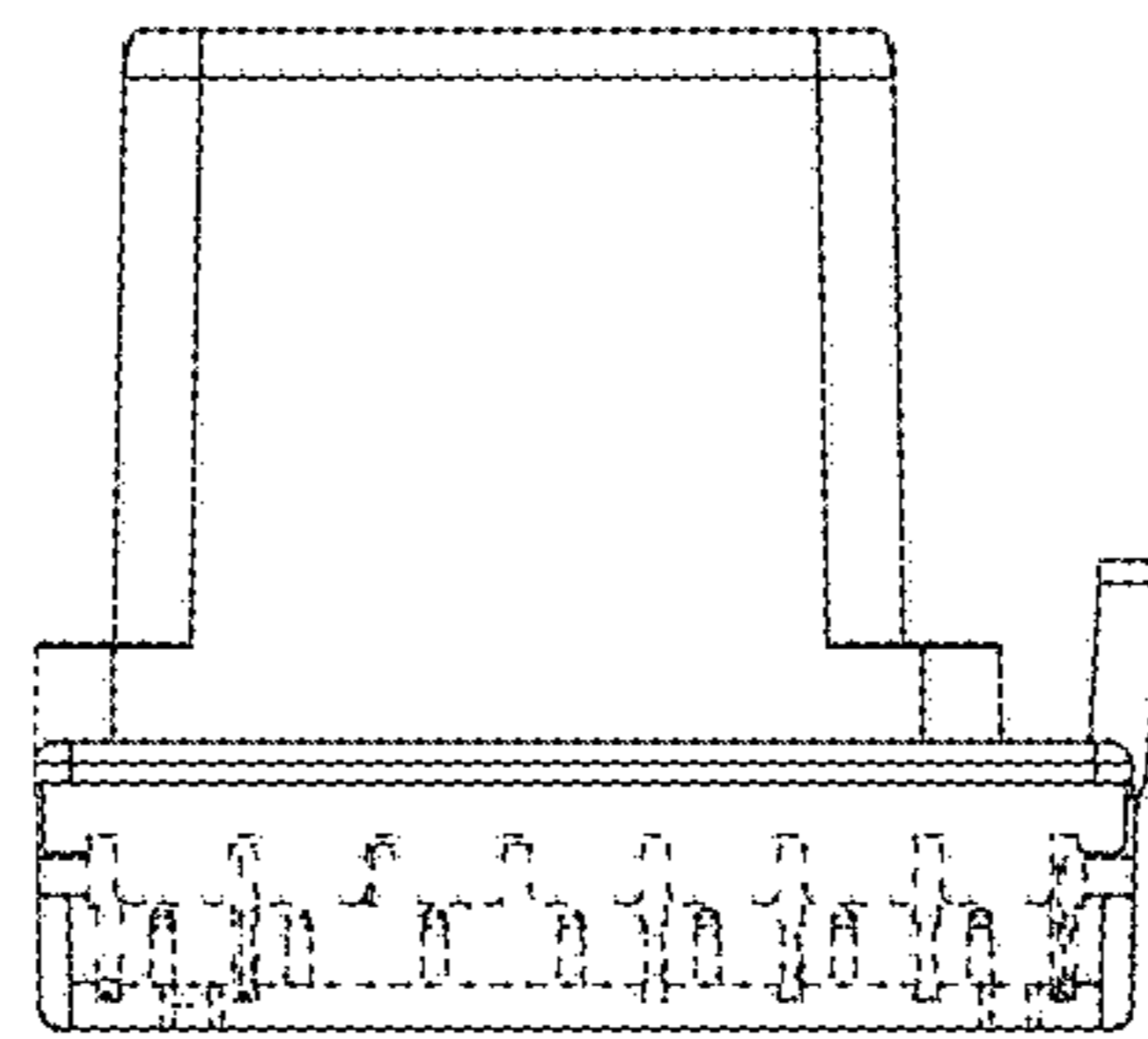


Fig. 5

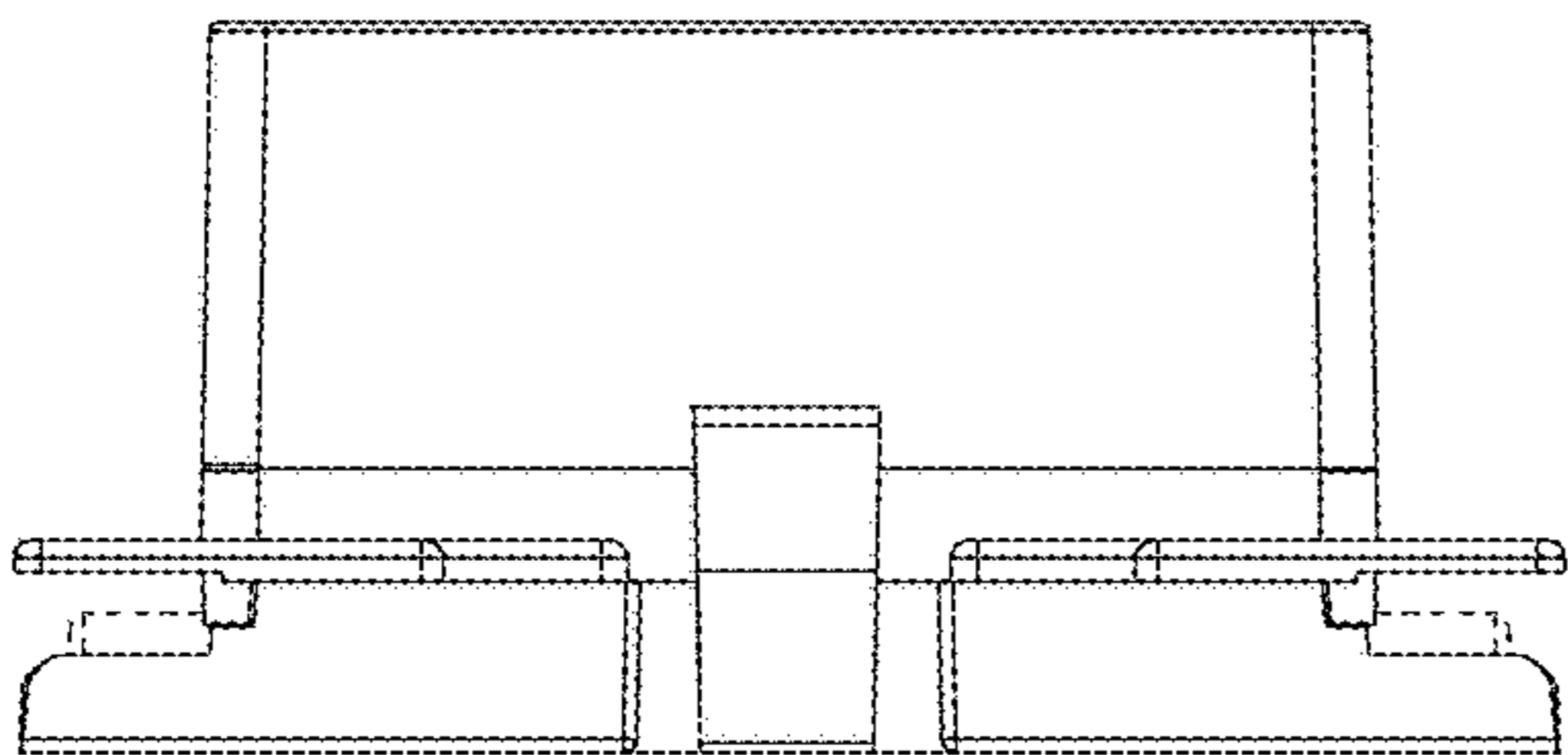


Fig. 6

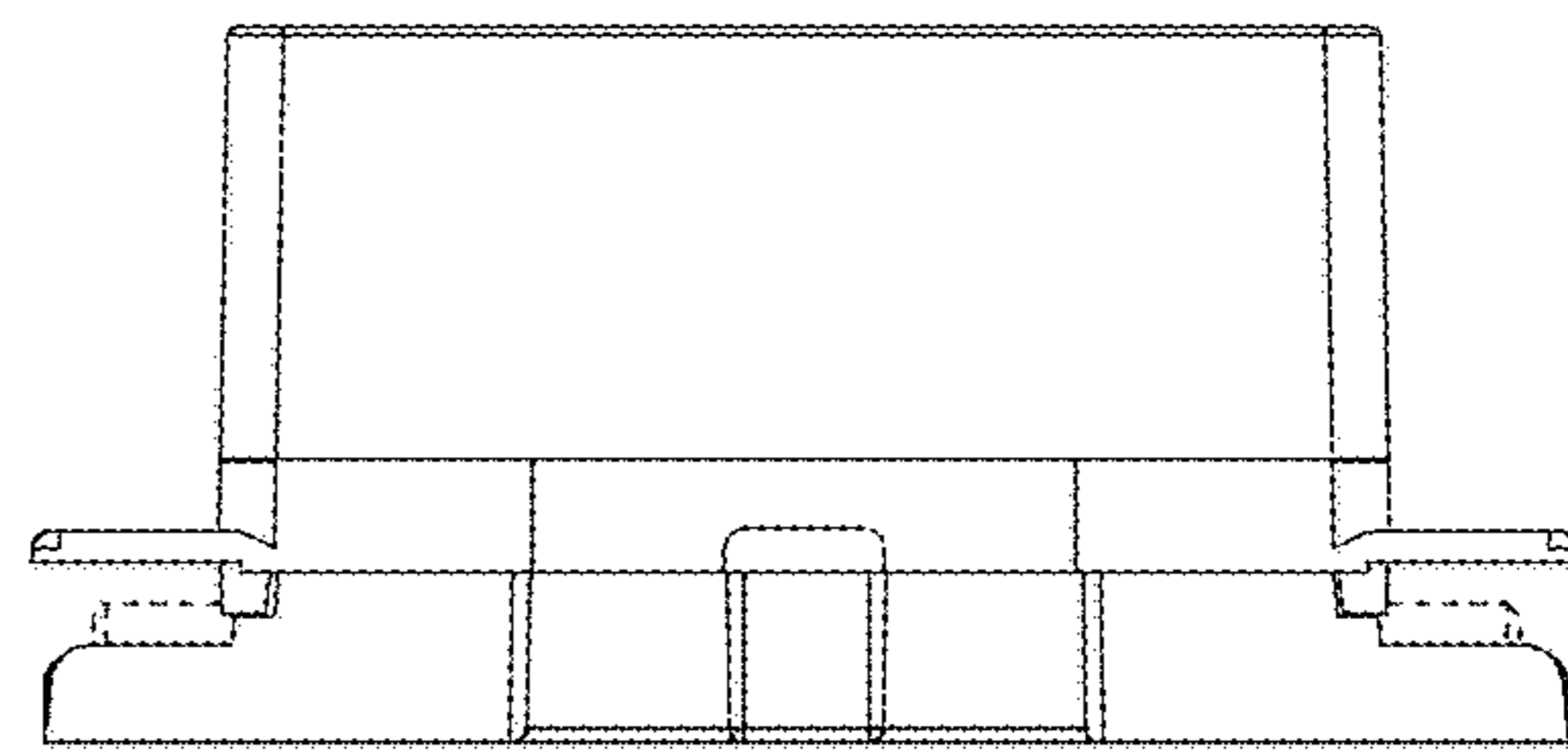


Fig. 7

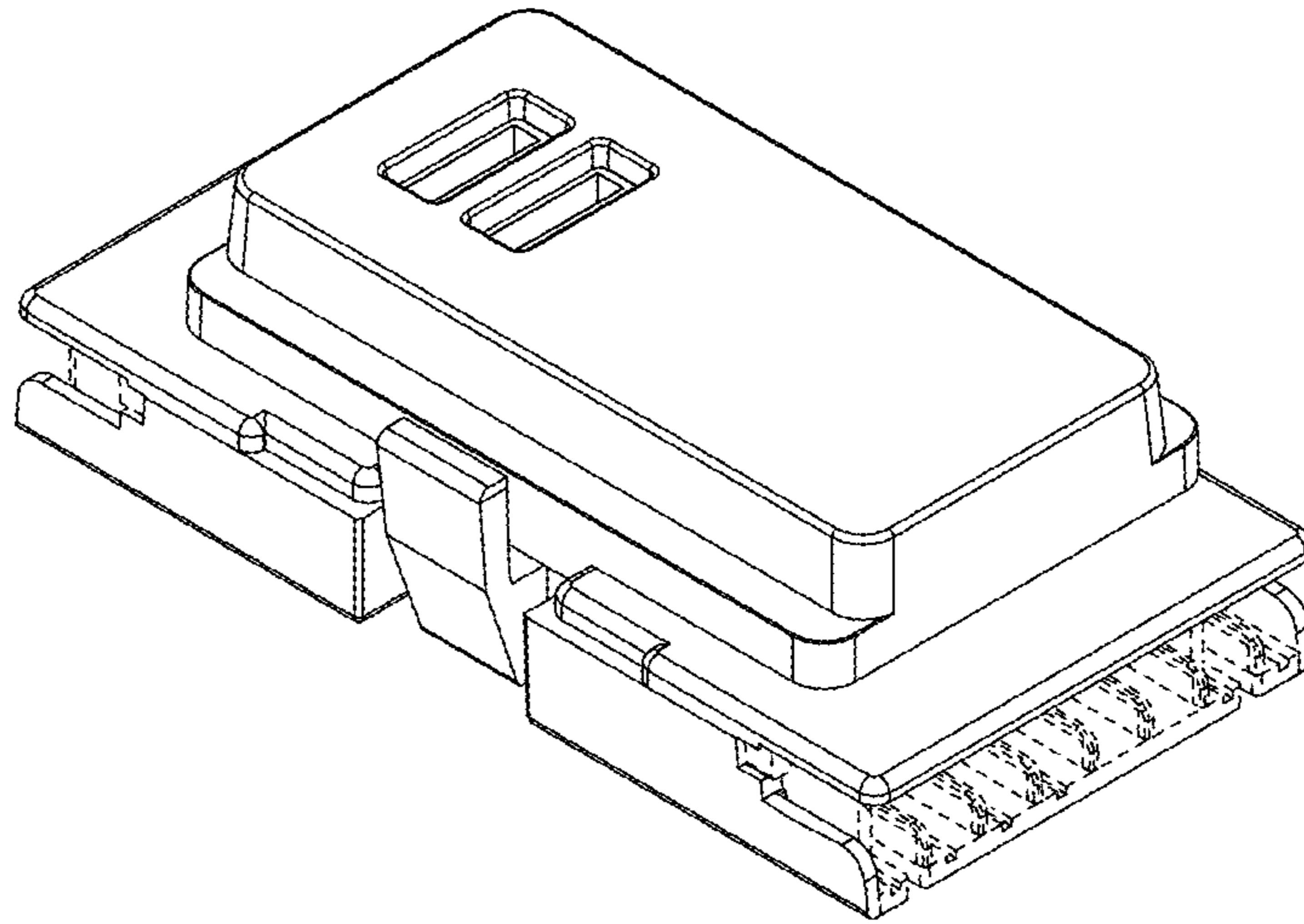


Fig. 8

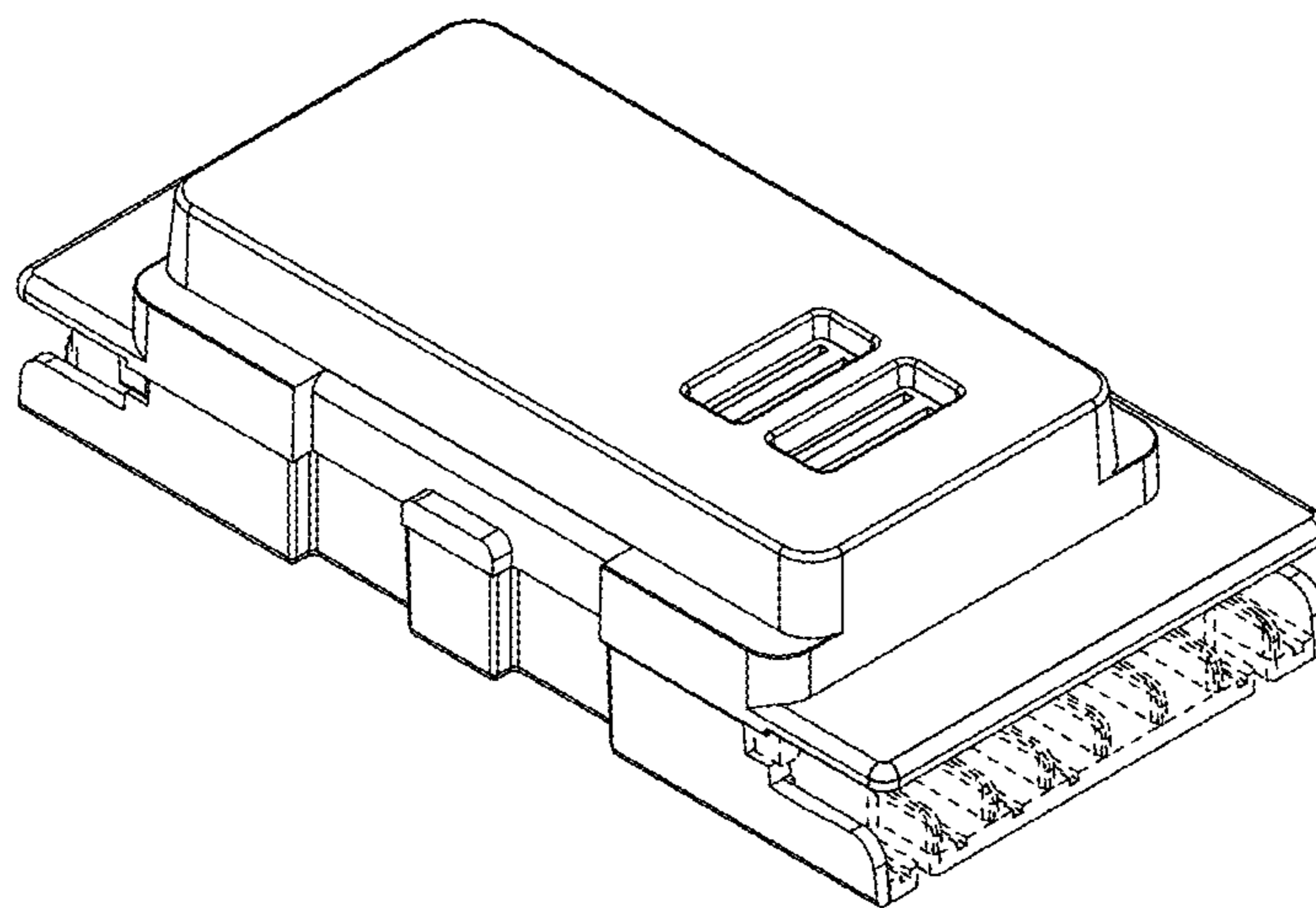


Fig. 9

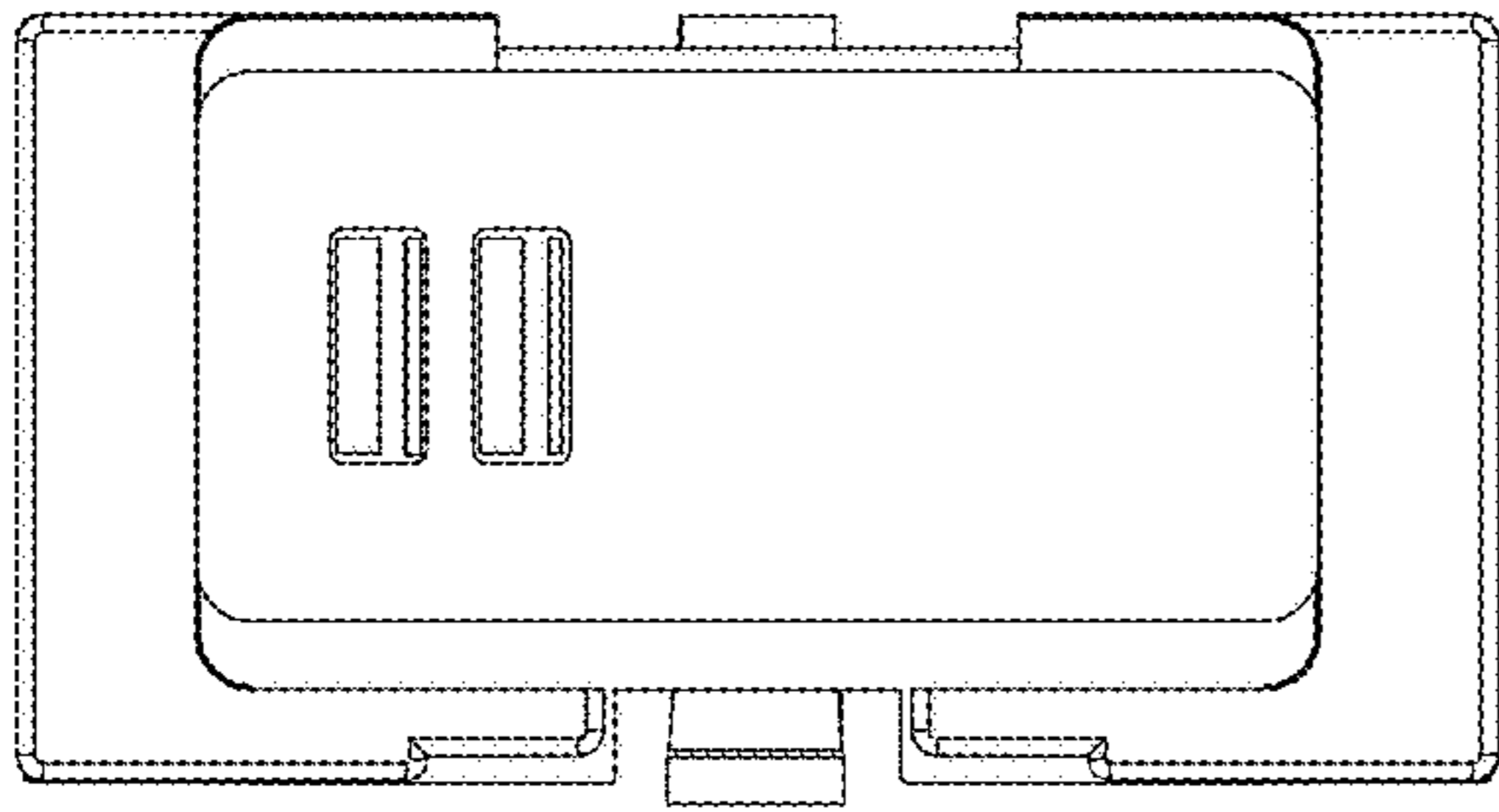


Fig. 10

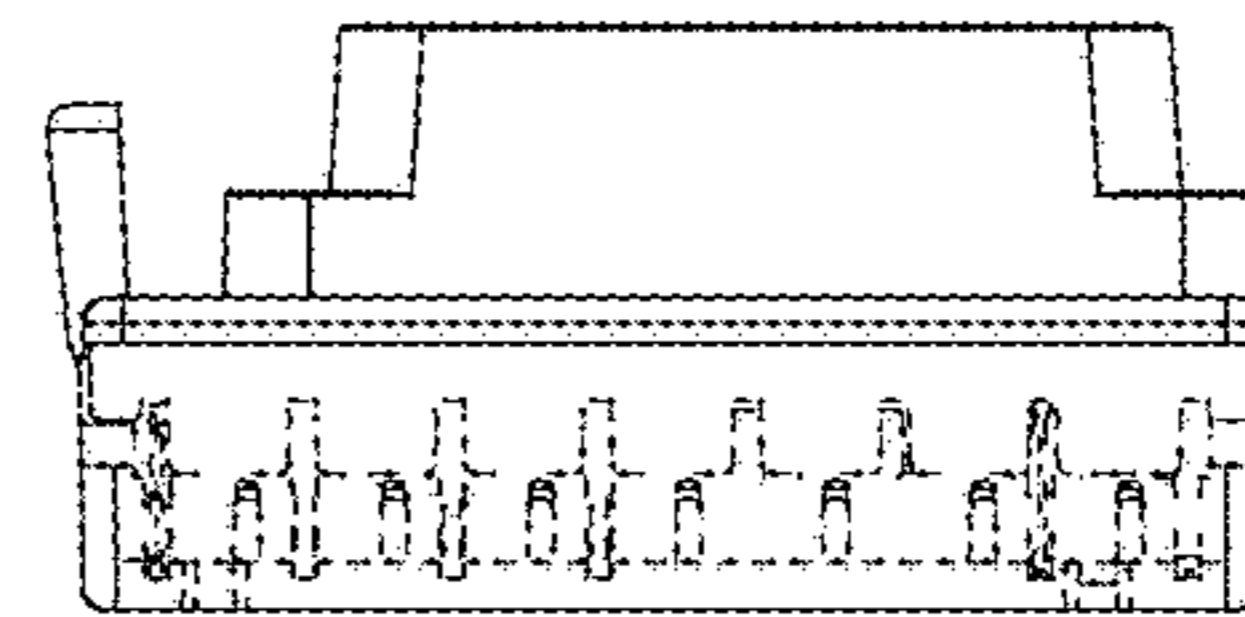


Fig. 11

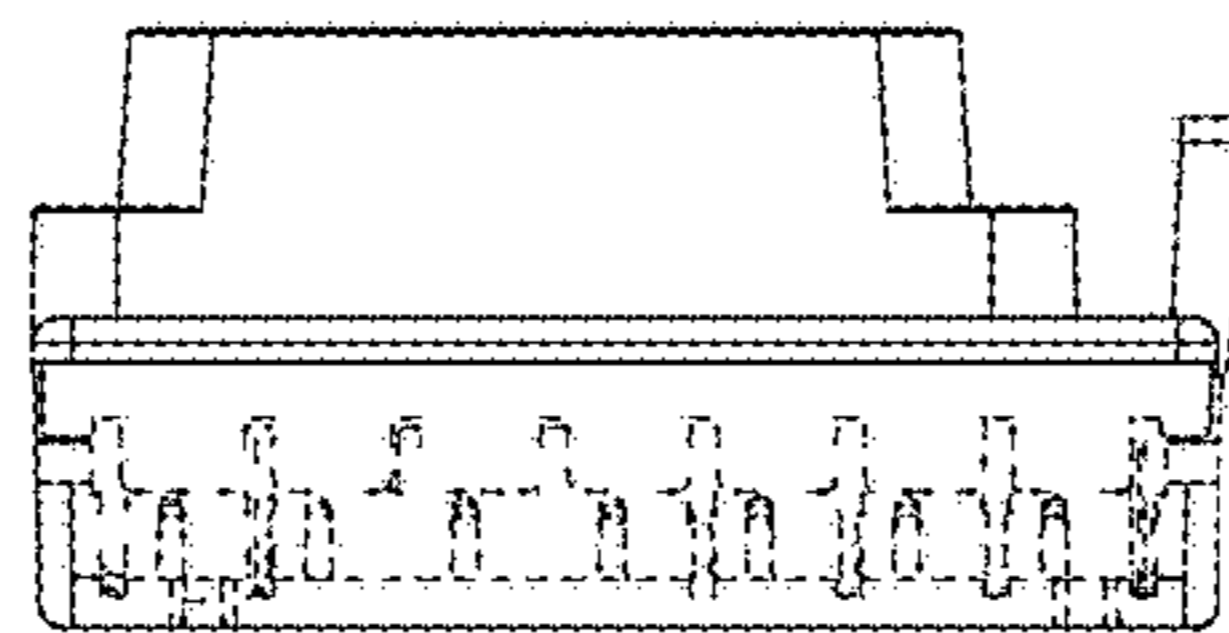


Fig. 12

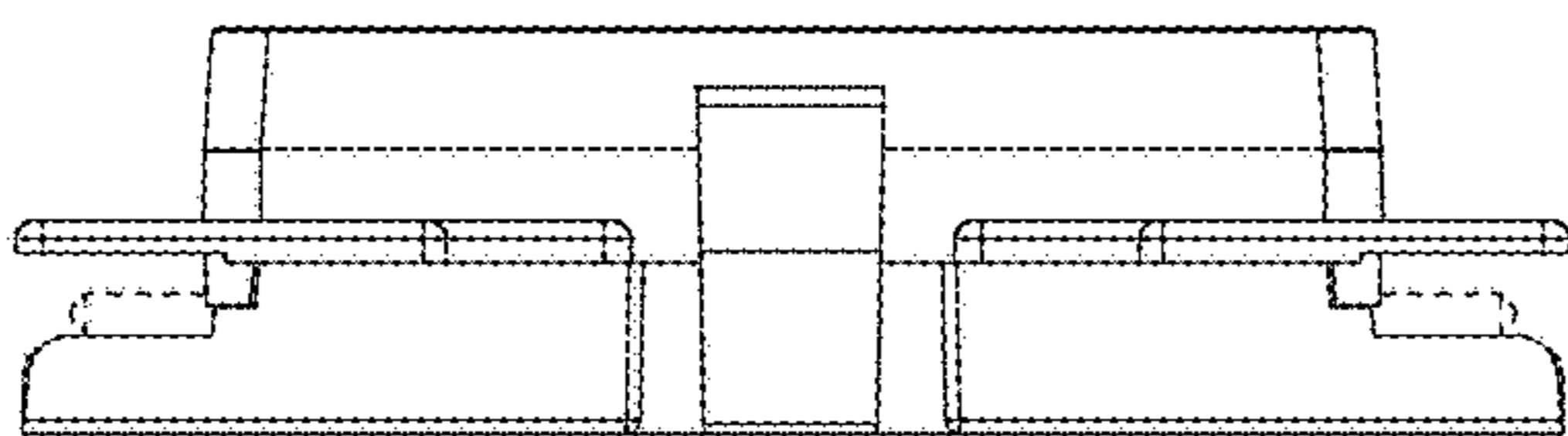


Fig. 13

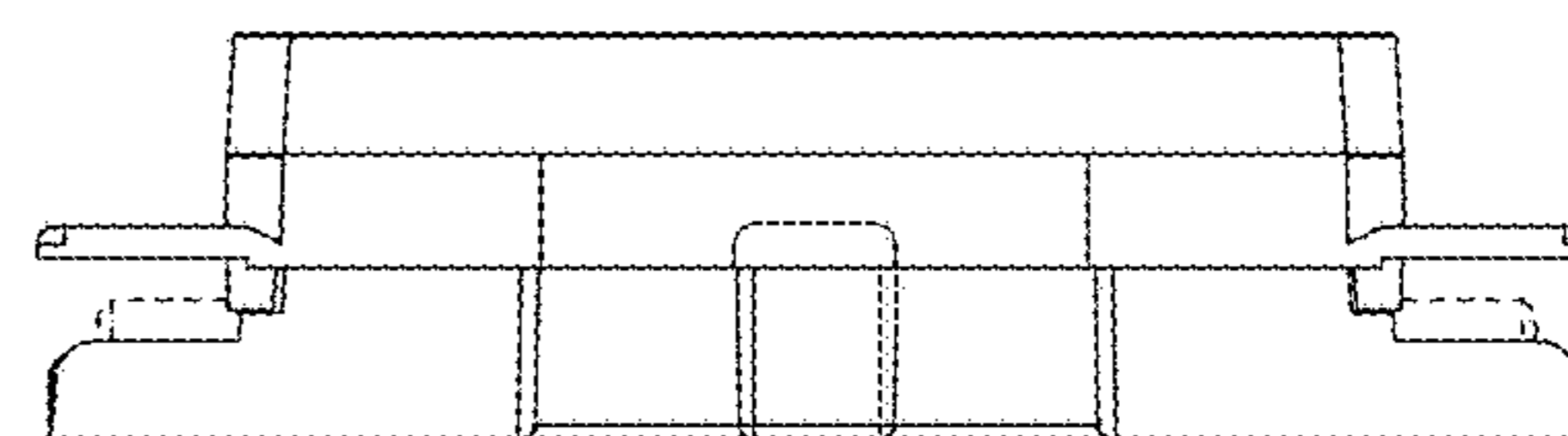


Fig. 14

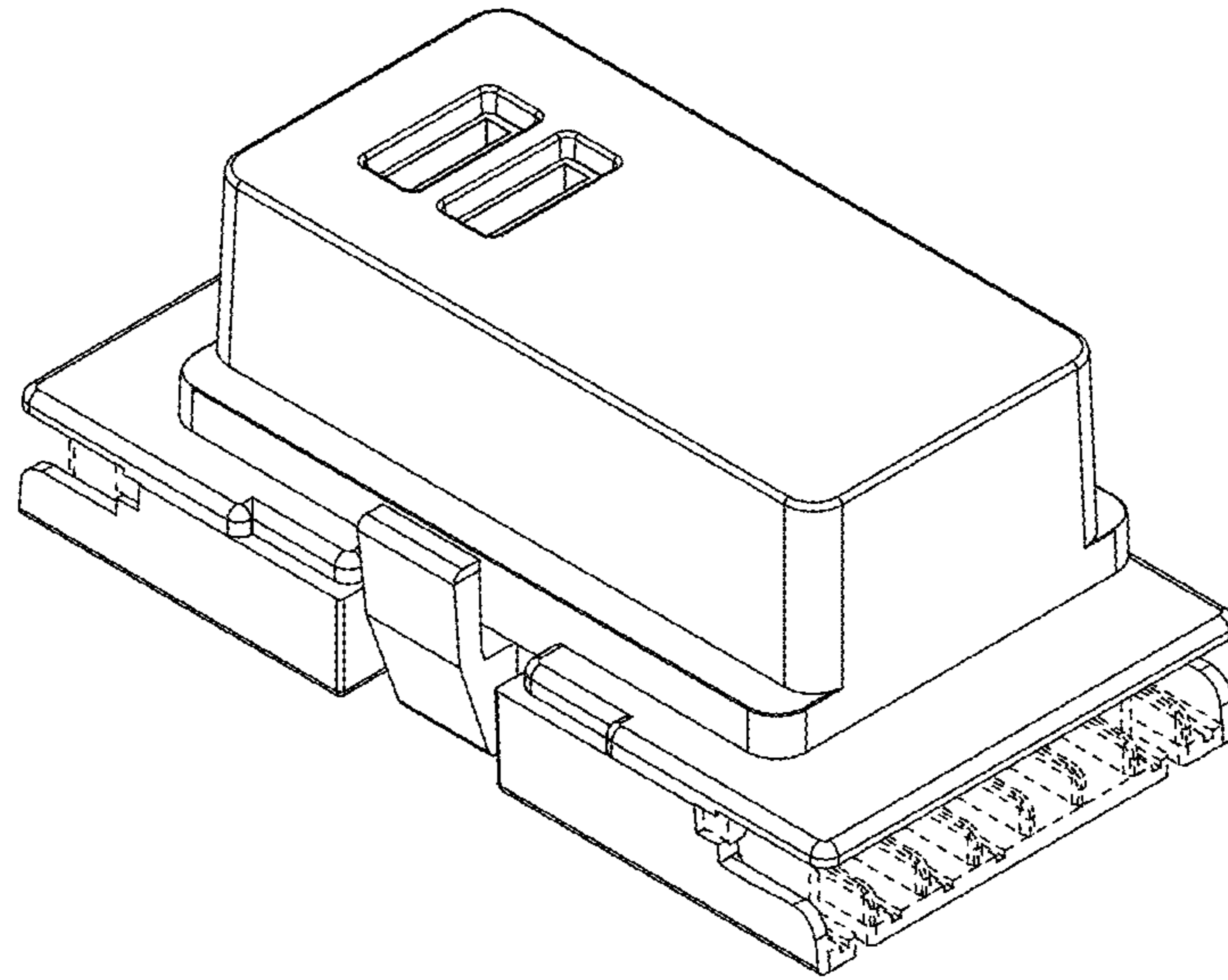


Fig. 15

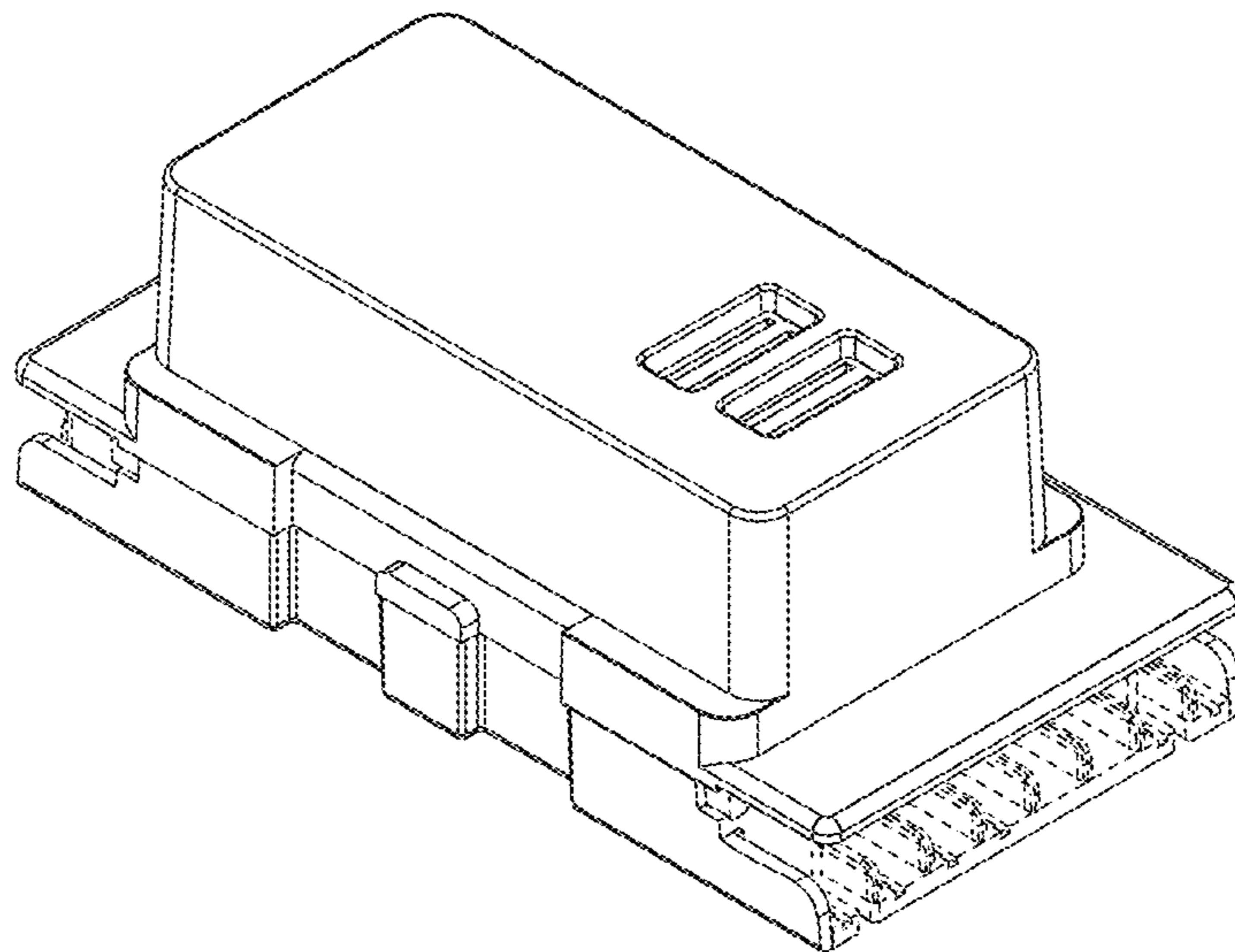


Fig. 16

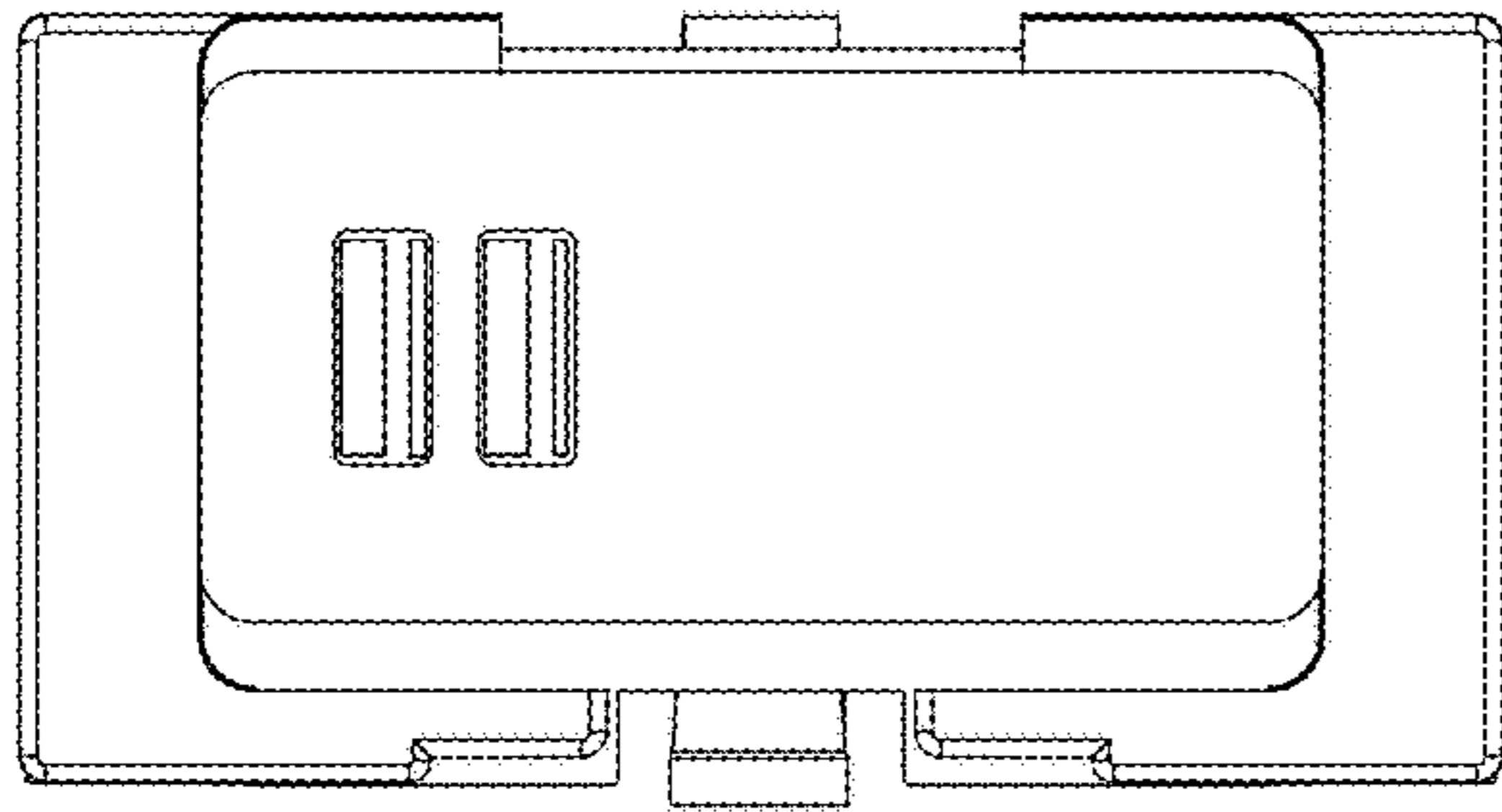


Fig. 17

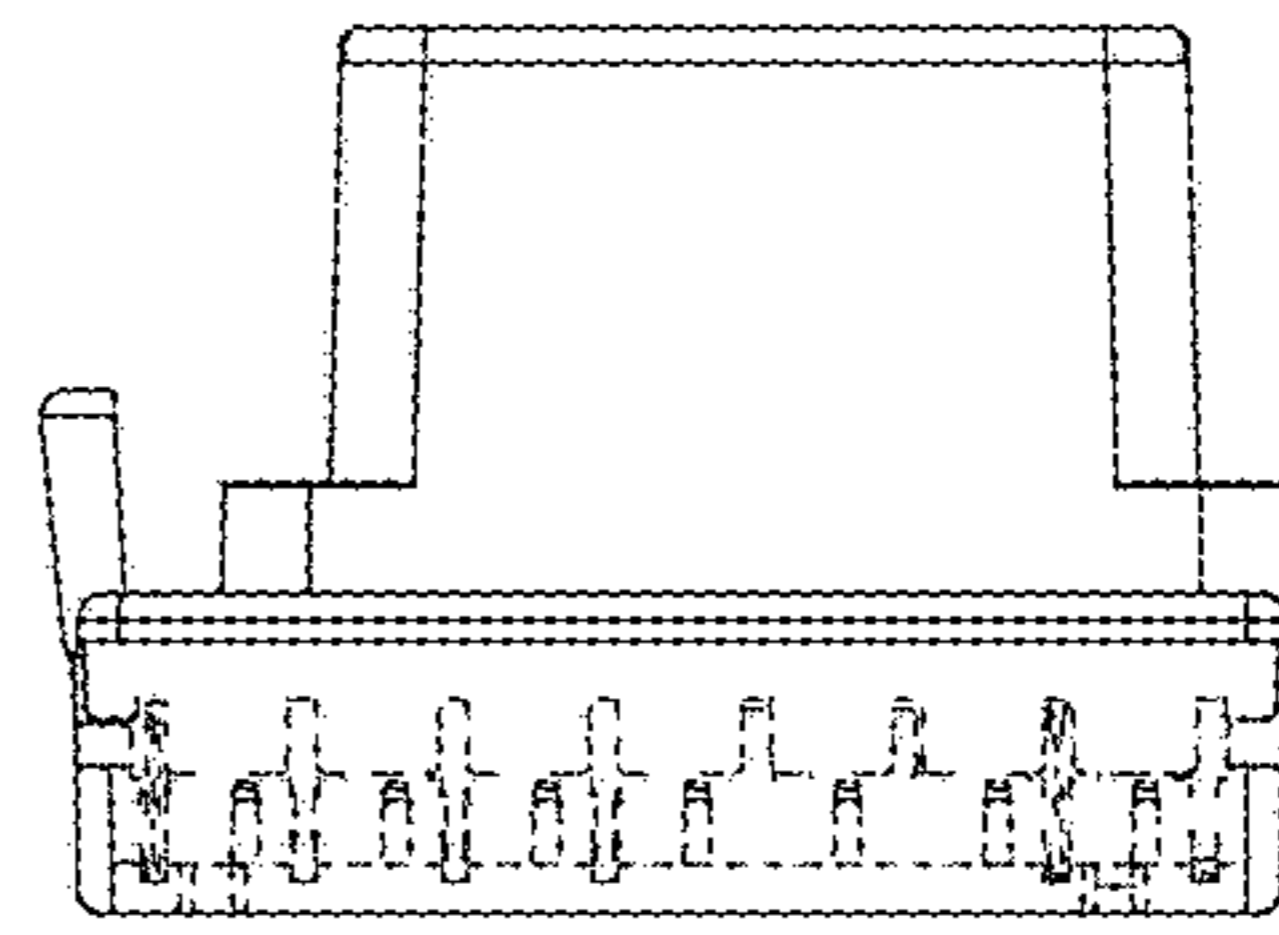


Fig. 18

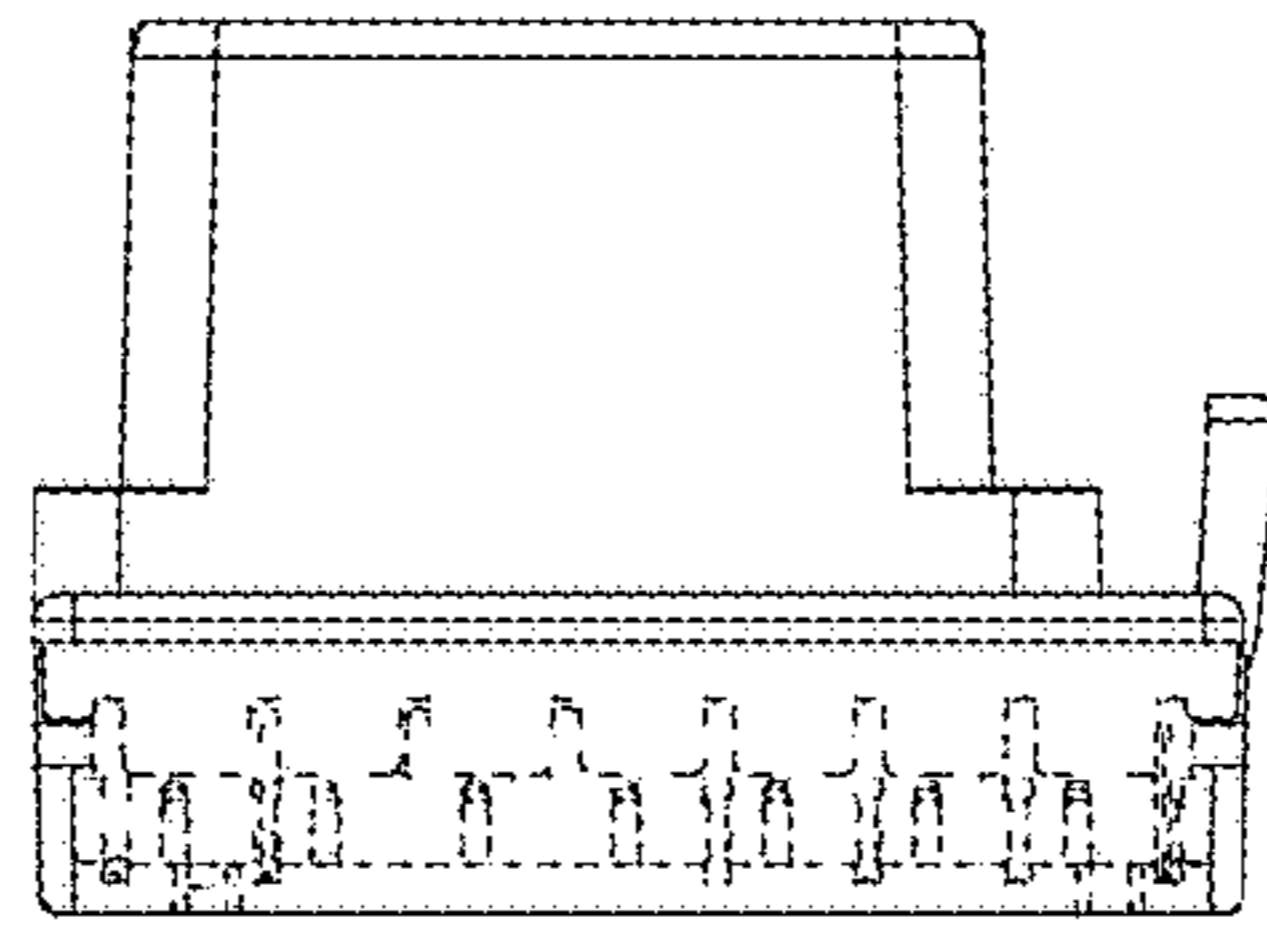


Fig. 19

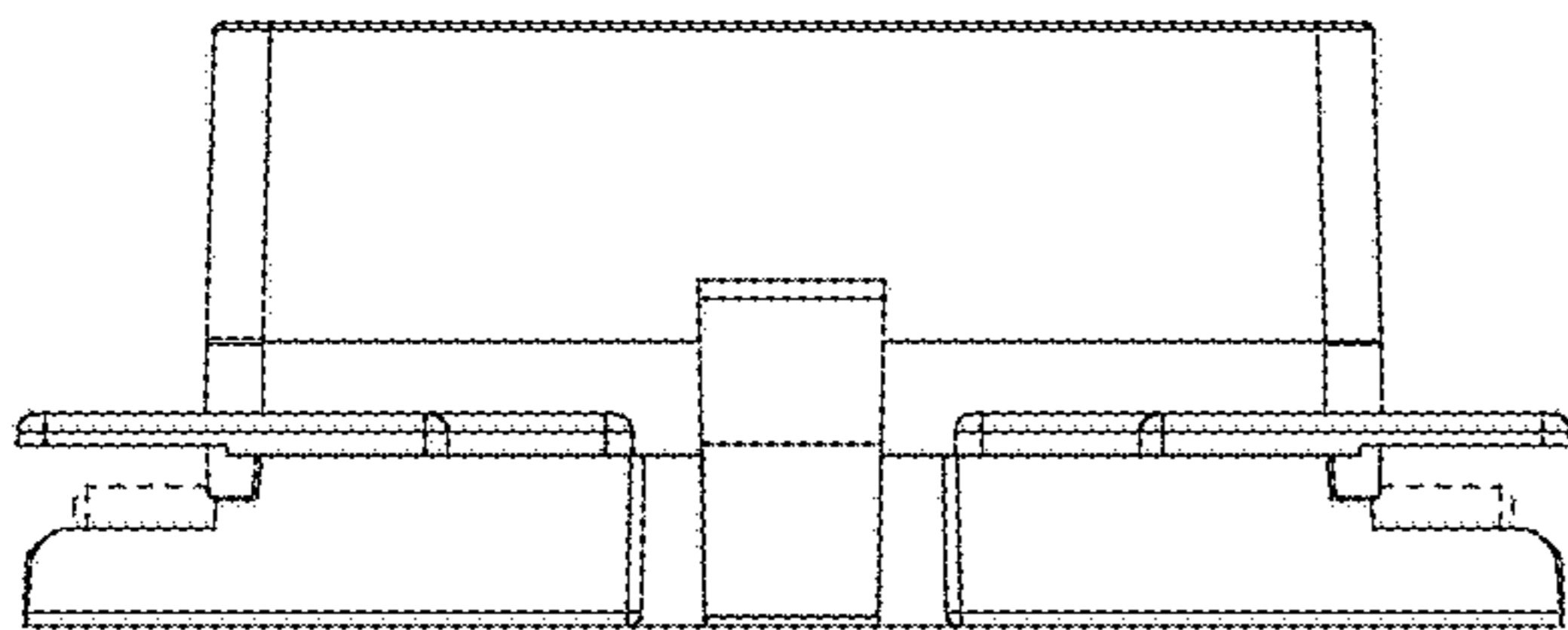


Fig. 20

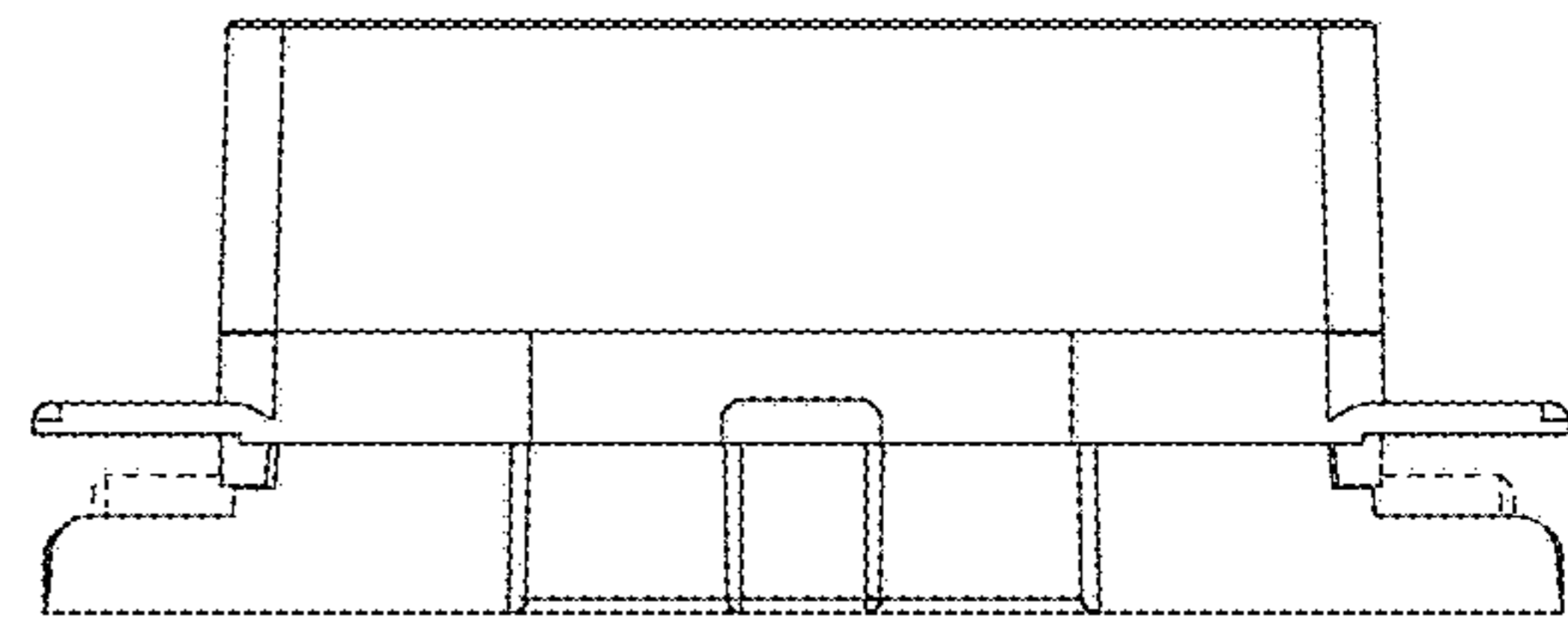


Fig. 21