



US00D793340S

(12) **United States Design Patent** (10) **Patent No.:** **US D793,340 S**
Wang (45) **Date of Patent:** **** Aug. 1, 2017**

(54) **MALE CONNECTOR HOUSING**
(71) Applicant: **Jen-Ching Wang**, New Taipei (TW)
(72) Inventor: **Jen-Ching Wang**, New Taipei (TW)
(**) Term: **15 Years**

D702,649 S * 4/2014 Ichio D13/146
9,444,207 B1 * 9/2016 Smith H01R 31/065
9,590,342 B1 * 3/2017 Shaeffer B60D 1/64
2002/0013097 A1 * 1/2002 Divoll H01R 31/065
439/625
2016/0197430 A1 * 7/2016 Fujita H01R 13/516
439/733.1

(21) Appl. No.: **29/565,258**
(22) Filed: **May 19, 2016**
(51) **LOC (10) Cl.** **13-03**
(52) **U.S. Cl.**
USPC **D13/146**
(58) **Field of Classification Search**
USPC D13/107, 108, 110, 118, 123, 133, 134,
D13/137.2, 137.3, 139.1, 139.2, 146, 147,
D13/148, 149, 150, 151, 152, 154, 156,
D13/158, 159, 162, 173, 179, 184, 199
CPC H01R 13/05; H01R 13/193; H01R 13/02;
H01R 13/44; H01R 13/58; H01R 13/62;
H01R 13/627; H01R 13/66; H01R 13/72;
H01R 13/73; F16H 57/04; C23C
16/45525; C23C 16/45574; C23C
16/4409; C23C 16/4557; F02D 9/12;
H01J 49/0495; B01F 3/04262
See application file for complete search history.

OTHER PUBLICATIONS

Hopkins 47445, posted at Amazon.com, posted on Sep. 8, 2010, [online], [site visited Apr. 17, 2017]. Available from Internet, <<https://www.amazon.com/Hopkins-47445-Round-Pole-Adapter/dp/B004BE61OK>>.*

(Continued)

Primary Examiner — Thomas Johannes
Assistant Examiner — Catherine Ho
(74) *Attorney, Agent, or Firm* — Jackson IPG PLLC;
Demian K. Jackson

(56) **References Cited**

U.S. PATENT DOCUMENTS

1,297,179 A * 3/1919 Kenney H01R 33/22
439/646
D366,240 S * 1/1996 Kittridge D13/146
5,626,479 A * 5/1997 Hughes B60D 1/62
439/35
5,929,719 A * 7/1999 Turner H01R 13/665
174/36
D468,691 S * 1/2003 Detter D13/133
D587,653 S * 3/2009 Barnes, Jr. D13/138.1
7,534,108 B1 * 5/2009 Wang B60D 1/58
439/35
D680,080 S * 4/2013 Rotenberg D13/154

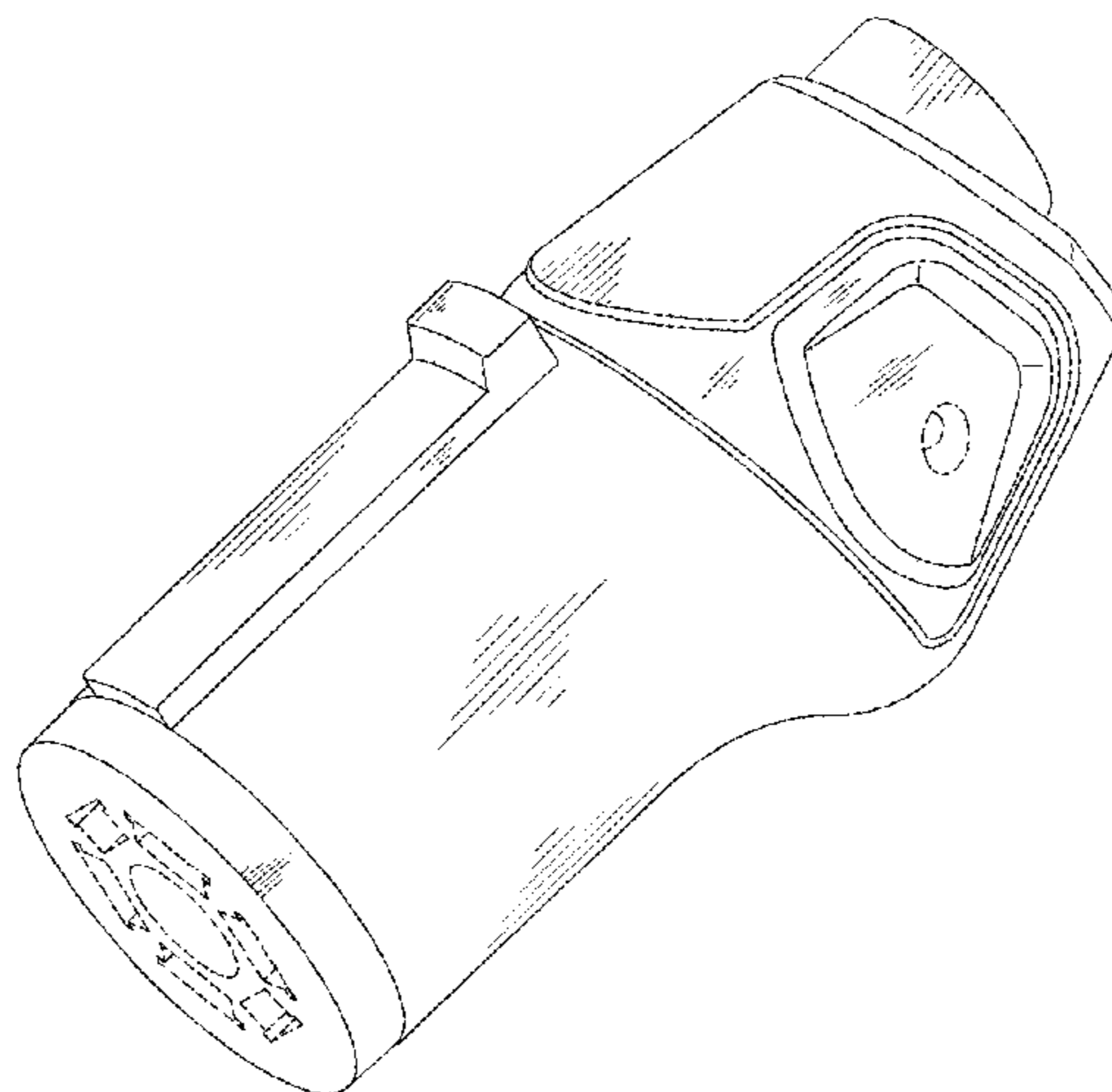
(57) **CLAIM**

The ornamental design for male connector housing, as shown and described.

DESCRIPTION

FIG. 1 is a perspective view of a male connector housing showing my new design;
FIG. 2 is a front elevational view thereof;
FIG. 3 is a rear elevational view thereof;
FIG. 4 is a top plan view thereof;
FIG. 5 is a bottom plan view thereof;
FIG. 6 is a right side elevational view thereof; and,
FIG. 7 is a left side elevational view thereof.
The broken line portion of the figure drawings is included to show portions of the article that form no part of the claimed design.

1 Claim, 7 Drawing Sheets



(56)

References Cited

OTHER PUBLICATIONS

Husky 30140, posted at Amazon.com, posted on Oct. 7, 2012, [online], [site visited Apr. 17, 2017]. Available from Internet, <<https://www.amazon.com/Husky-30140-Plastic-Trailer-Connector/dp/B009P38AGE>>.*

Hopkins 47345, posted at Amazon.com, posted on Feb. 17, 2007, [online], [site visited Apr. 17, 2017]. Available from Internet, <<https://www.amazon.com/Hopkins-47345-Wire-Flat-Adapter/dp/B0002RNSKK>>.*

Tow Ready 118031, posted at Amazon.com, posted on Apr. 1, 2011, [online], [site visited Apr. 17, 2017]. Available from Internet, <<https://www.amazon.com/Tow-Ready-118031-Trailer-Connector/dp/B003UDKTH8>>.*

* cited by examiner

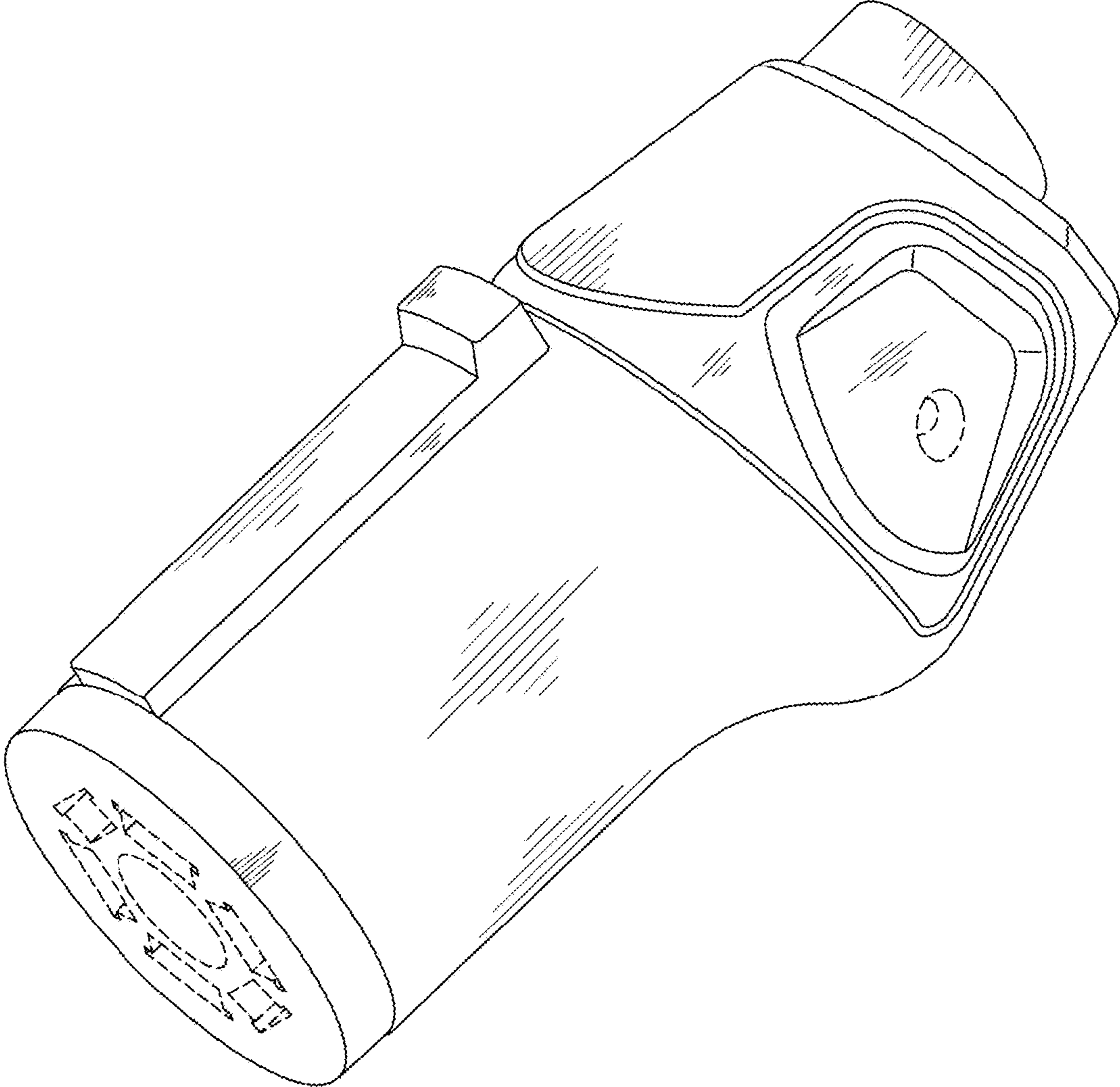


Fig. 1

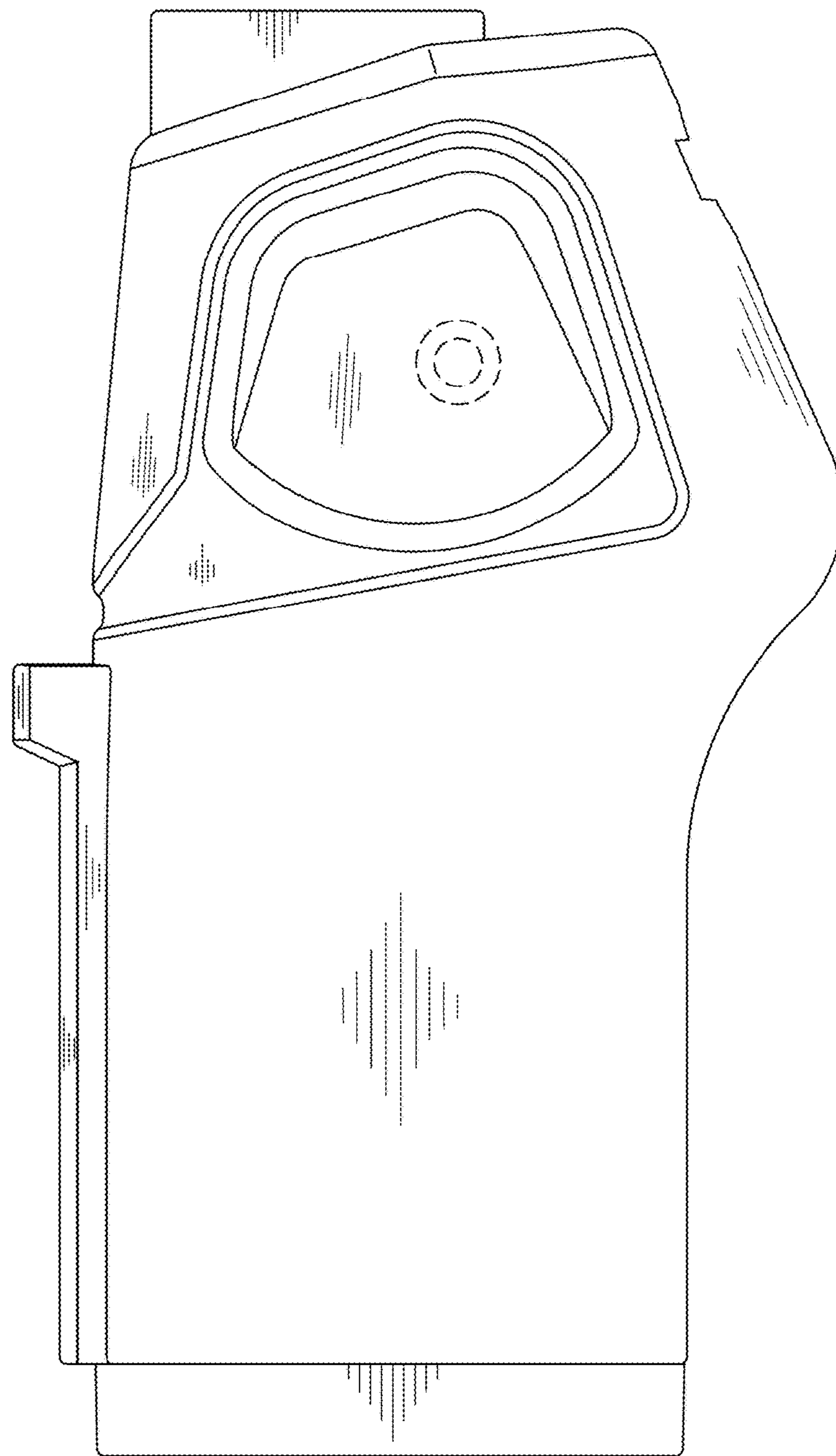


Fig. 2

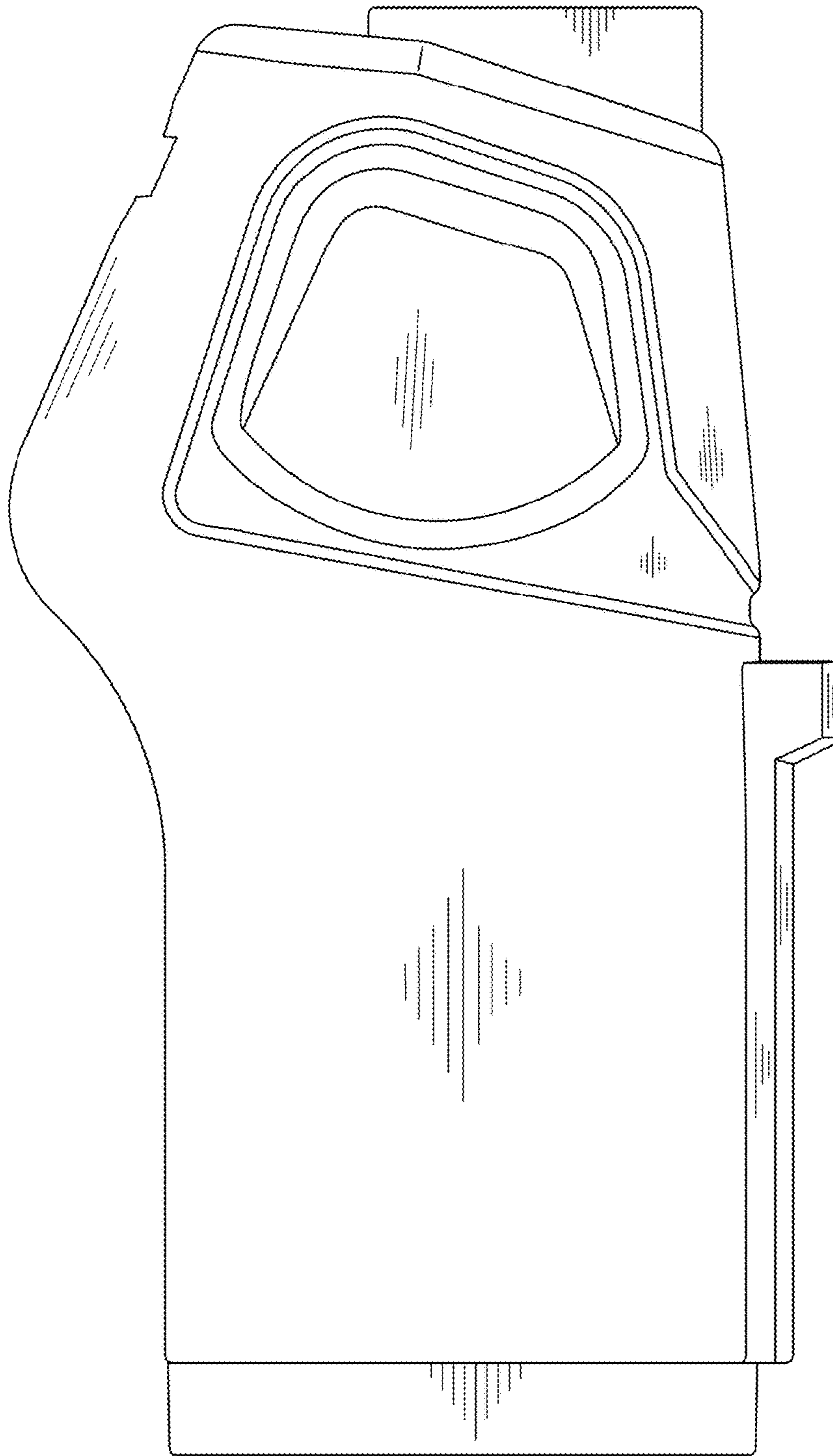


Fig. 3

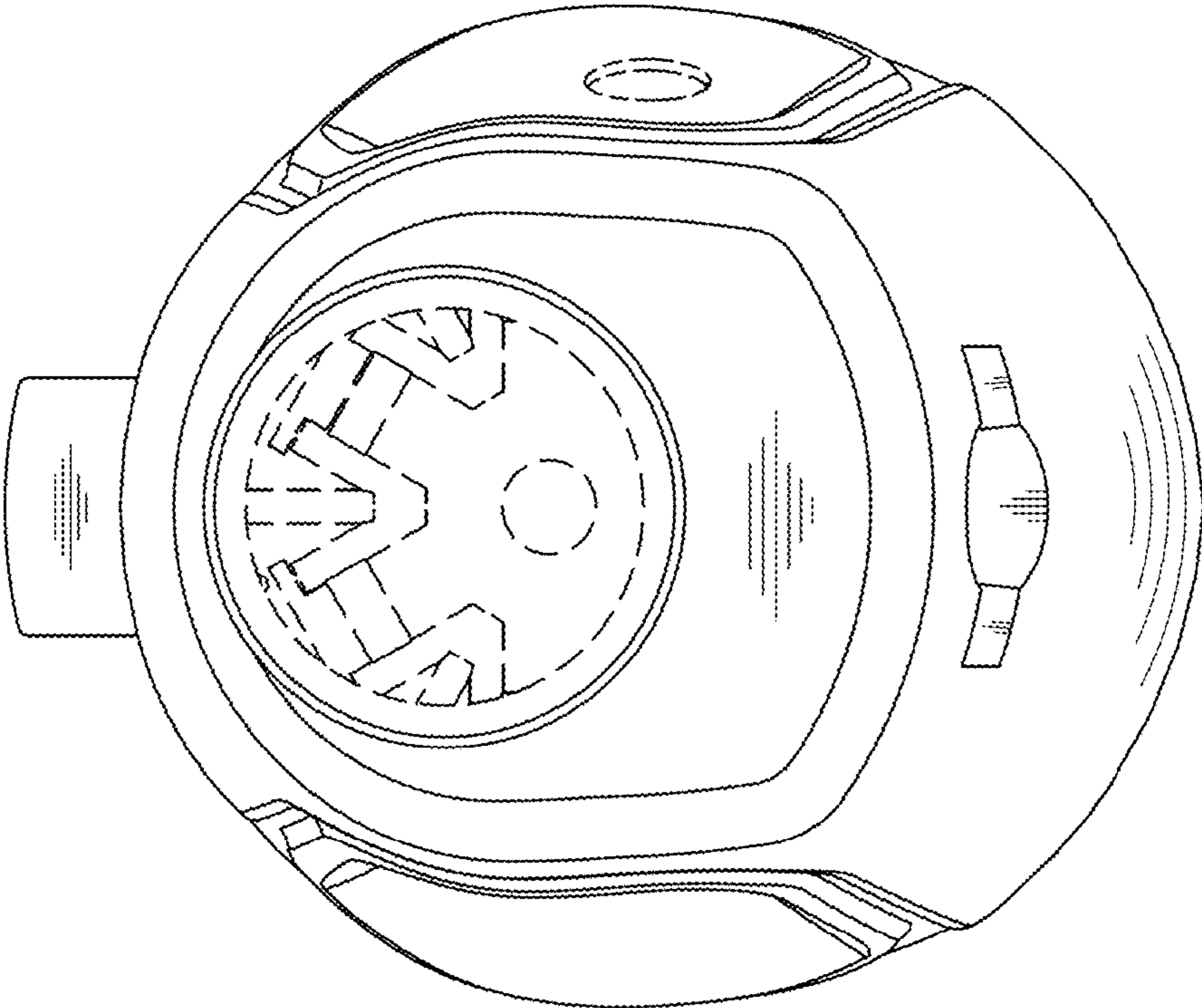


Fig. 4

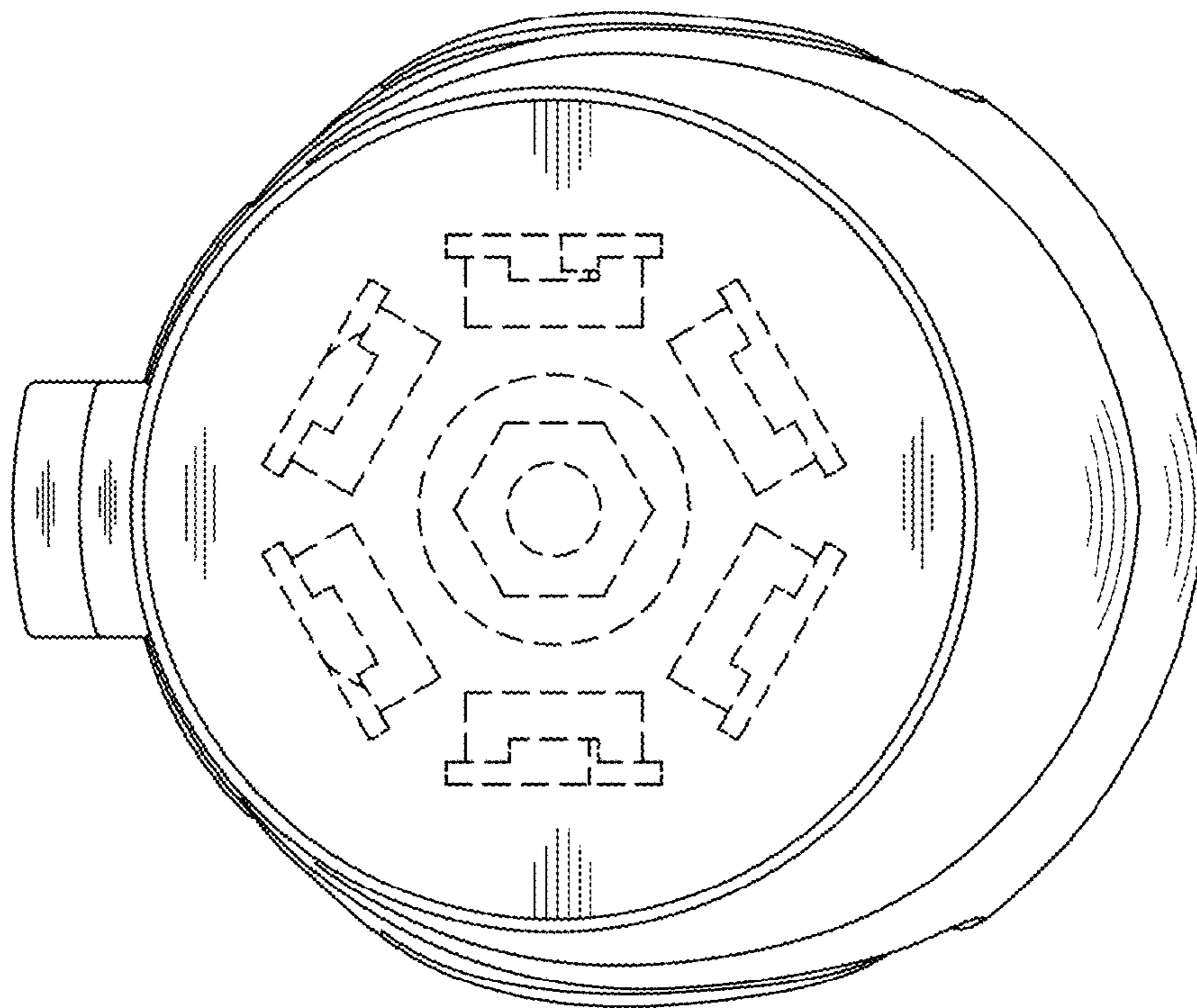


Fig. 5

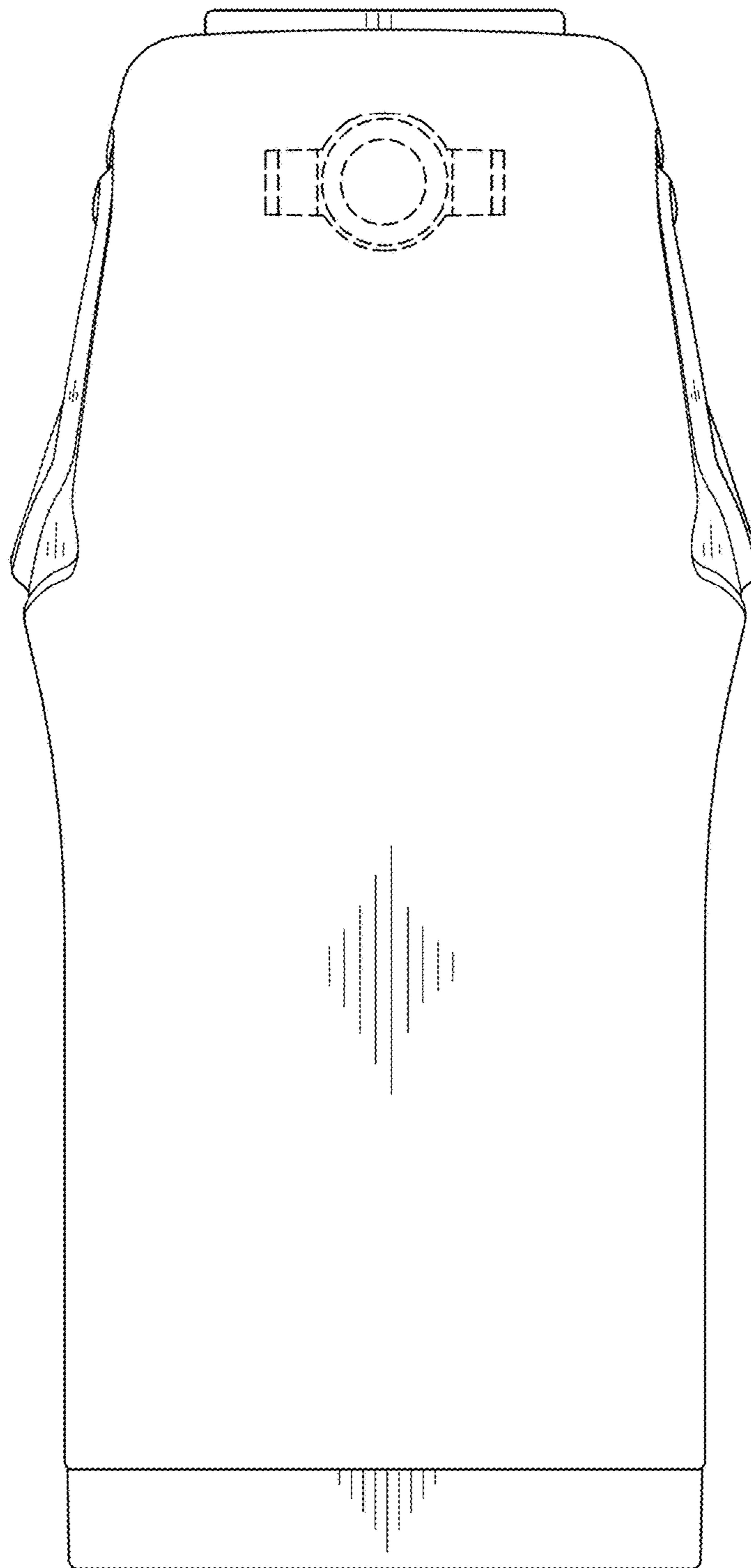


Fig. 6

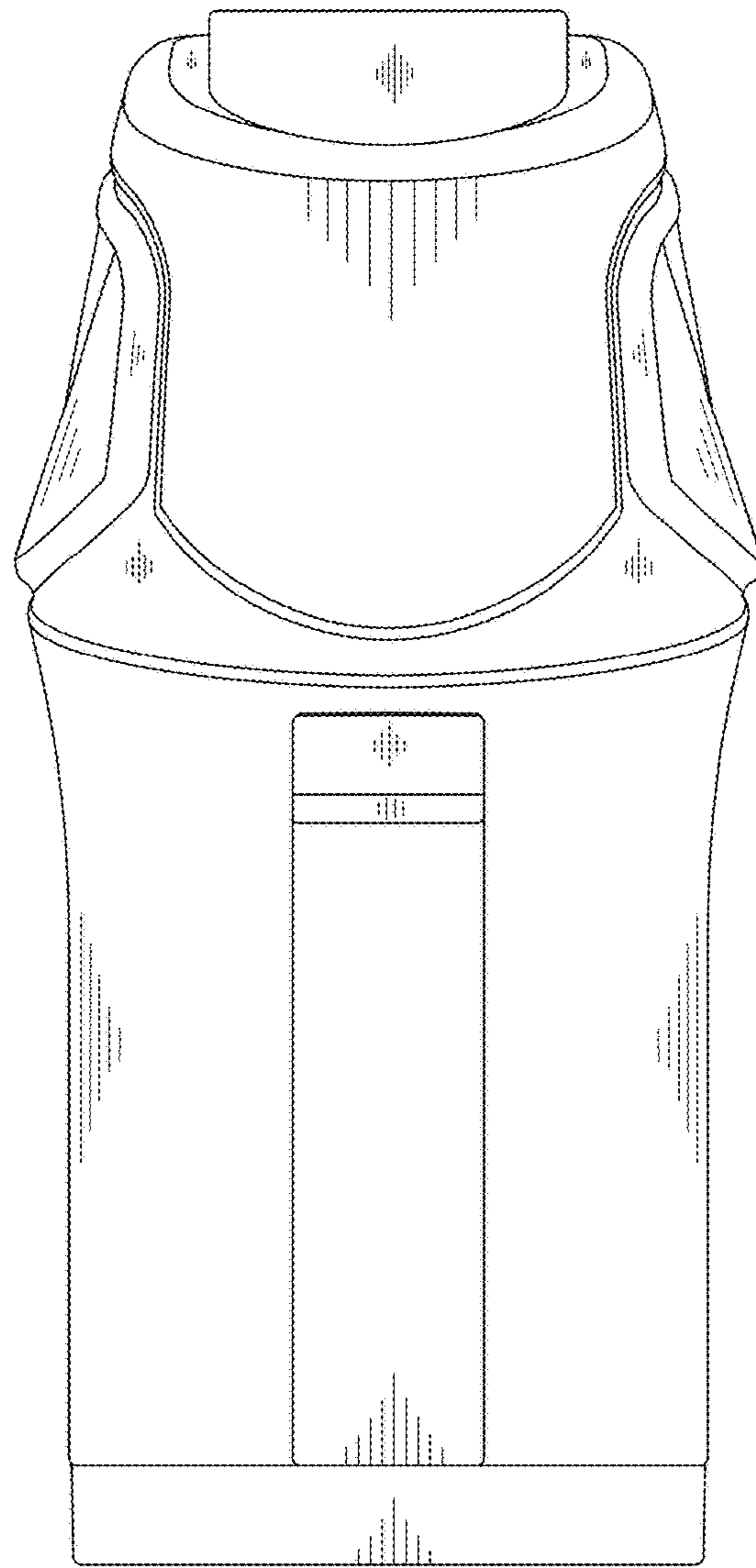


Fig. 7