



US00D793339S

(12) **United States Design Patent**
Dicks et al.

(10) **Patent No.:** **US D793,339 S**
(45) **Date of Patent:** **** Aug. 1, 2017**

(54) **ELECTRICAL OUTLET**

DESCRIPTION

(71) Applicant: **INTERNATIONAL SAFETY HOLDINGS, LLC**, El Cajon, CA (US)

(72) Inventors: **Michael Drew Dicks**, Phoenix, AZ (US); **Roger Dean Innes**, Poway, CA (US); **Paul Robert Edstrom**, Poway, CA (US); **Rafael Calderon**, San Diego, CA (US); **Alberto Herrera Rojas**, Tijuana (MX)

(73) Assignee: **INTERNATIONAL SAFETY HOLDINGS, LLC**, El Cajon, CA (US)

(**) Term: **14 Years**

(21) Appl. No.: **29/509,934**

(22) Filed: **Nov. 21, 2014**

(51) **LOC (10) Cl.** **13-03**

(52) **U.S. Cl.**
USPC **D13/139.1**

(58) **Field of Classification Search**
USPC D13/139.1–139.8, 137.1–137.4, 110,
D13/138.2, 156; 200/51.1; 439/22, 131;
D10/106.1

(Continued)

(56) **References Cited**

U.S. PATENT DOCUMENTS

5,484,299 A * 1/1996 Schlessinger H01R 13/4532
200/51.1

D408,355 S * 4/1999 Welsh D13/139.4
(Continued)

Primary Examiner — Rhea Shields

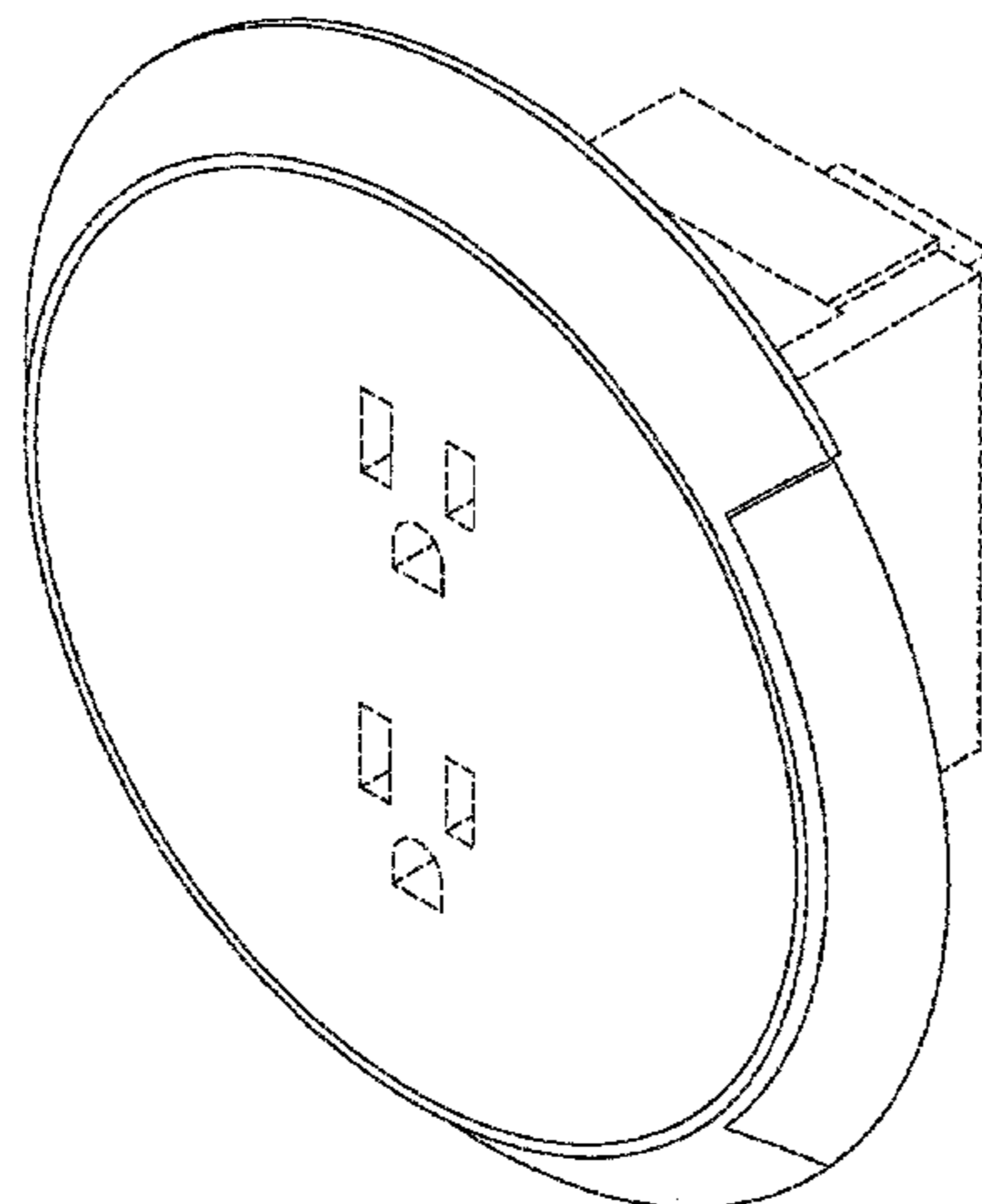
(74) *Attorney, Agent, or Firm* — Knobbe, Martens, Olson & Bear LLP

(57) **CLAIM**

The ornamental design for an electrical outlet, as shown and described.

FIG. 1 is a front perspective view of a first embodiment of the electrical outlet; according to our new design;
FIG. 2 is a front exploded perspective view of the electrical outlet of FIG. 1;
FIG. 3 is a rear perspective view of the electrical outlet of FIG. 1;
FIG. 4 is a rear exploded perspective view of the electrical outlet of FIG. 1;
FIG. 5 is a rear view of the electrical outlet of FIG. 1;
FIG. 6 is a right side view of the electrical outlet of FIG. 1;
FIG. 7 is a right side exploded view of the electrical outlet of FIG. 1;
FIG. 8 is a left side view of the electrical outlet of FIG. 1;
FIG. 9 is a left side exploded view of the electrical outlet of FIG. 1;
FIG. 10 is a top view of the electrical outlet of FIG. 1;
FIG. 11 is a top exploded view of the electrical outlet of FIG. 1;
FIG. 12 is a bottom view of the electrical outlet of FIG. 1;
FIG. 13 is a bottom exploded view of the electrical outlet of FIG. 1;
FIG. 14 is a front view of the electrical outlet of FIG. 1;
FIG. 15 is a front view of a second embodiment of the electrical outlet; according to our new design; and,
FIG. 16 is a front view of a third embodiment of the electrical outlet specific to NEMA 5 connectors; according to our new design.
In FIG. 15, the stippling is intended to show a difference in appearance. In FIGS. 1-15, the broken lines are for the purpose of illustrating environment only and form no part of the claimed design. Although certain figures are shown with an exploded view, the electrical outlet may be formed as a single piece without separate, unconnected parts. Also, although certain figures are shown with a specific surface texture, any surface texture may be utilized on the left side ornamental feature as appropriate for specific applications in different embodiments.

1 Claim, 16 Drawing Sheets



- (58) **Field of Classification Search**
CPC H01R 13/4532; H01R 39/64; H01R 31/06
See application file for complete search history.

(56) **References Cited**

U.S. PATENT DOCUMENTS

6,068,490 A * 5/2000 Salzberg H01R 39/64
439/22
D459,307 S * 6/2002 Nieto D13/139.8
D549,650 S * 8/2007 Russell D13/137.2
D559,783 S * 1/2008 Matzdorff D13/137.2
7,445,513 B1 * 11/2008 Lee H01R 31/06
439/131
D633,870 S * 3/2011 Thommes D13/139.1
D636,728 S * 4/2011 Terleski D13/139.4
D674,348 S * 1/2013 Lee D13/137.1
D677,630 S * 3/2013 Zien D13/139.8
D714,726 S * 10/2014 Byrne D13/137.1
D730,826 S * 6/2015 Moanack D13/110
D730,834 S * 6/2015 Byrne D13/139.1
D734,268 S * 7/2015 Parbatani D13/139.8
D736,710 S * 8/2015 Lin D13/137.2
D740,228 S * 10/2015 Page D13/139.4
D741,266 S * 10/2015 Byrne D13/138.2
D741,267 S * 10/2015 Byrne D13/139.1
D745,426 S * 12/2015 Heath D10/106.1
D746,234 S * 12/2015 Zien D13/139.8
D746,237 S * 12/2015 Sumwalt D13/156
D746,238 S * 12/2015 Sumwalt D13/156
D750,022 S * 2/2016 Lin D13/137.2
D751,038 S * 3/2016 Lin D13/137.2

* cited by examiner

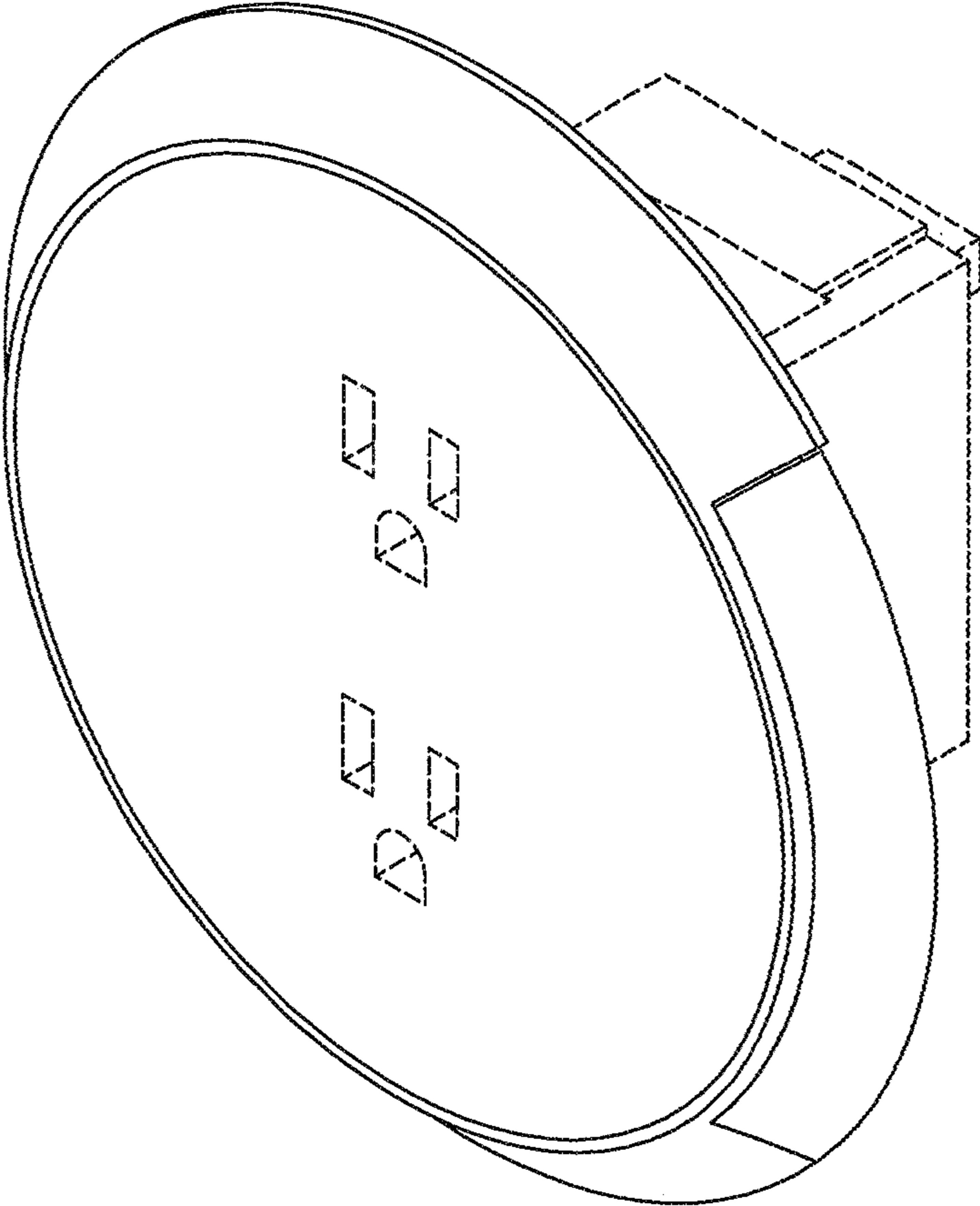


FIG. 1

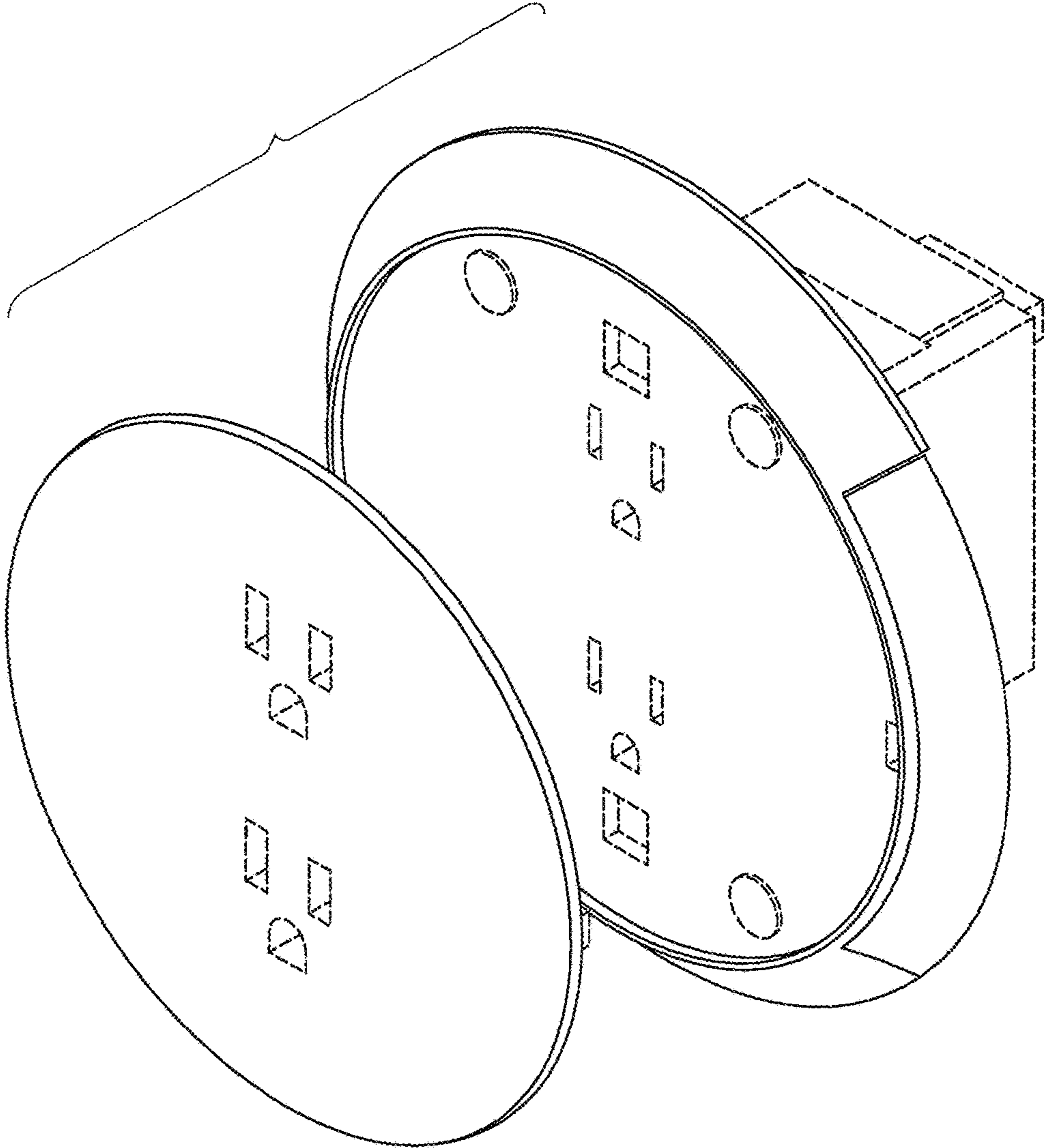


FIG. 2

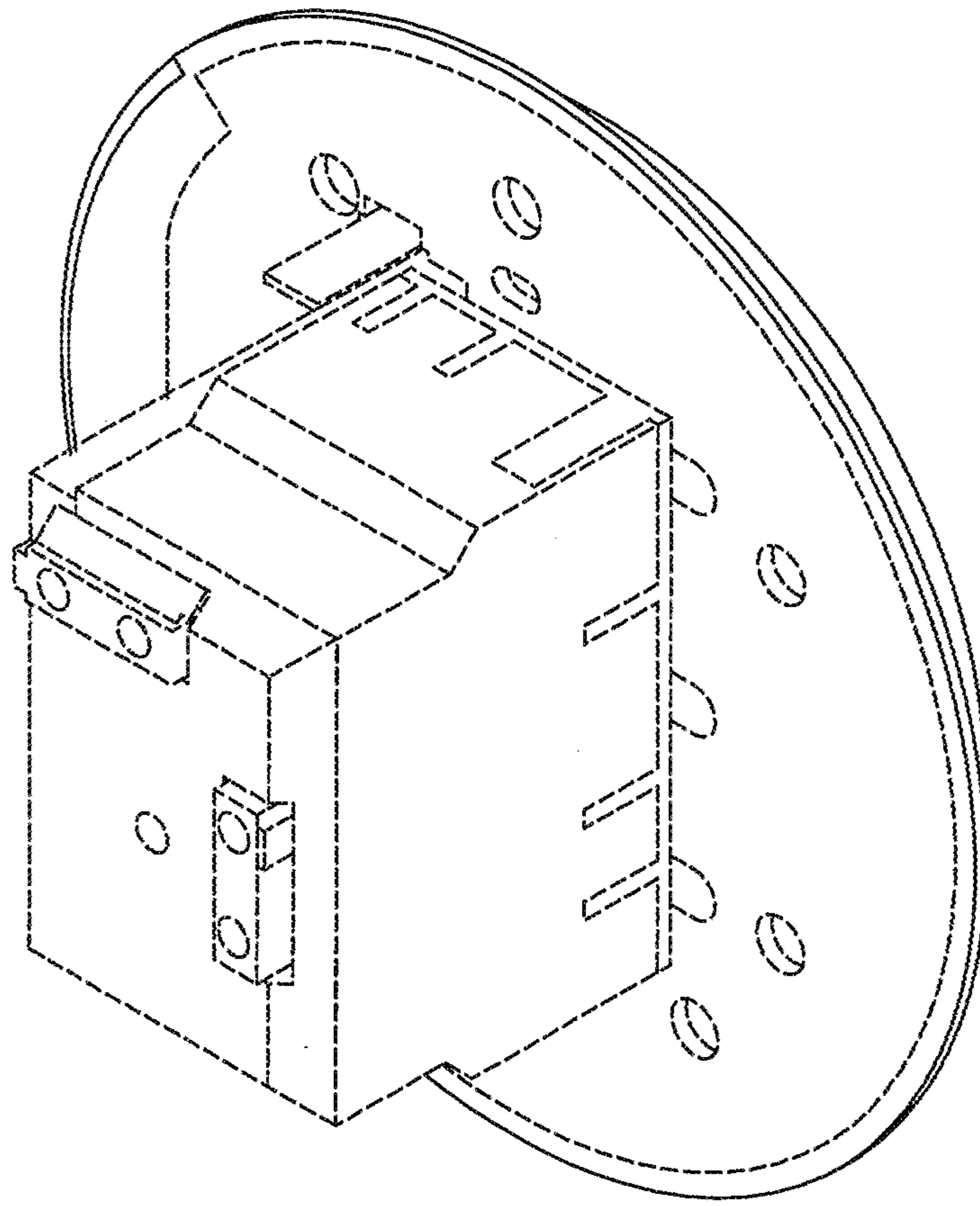


FIG. 3

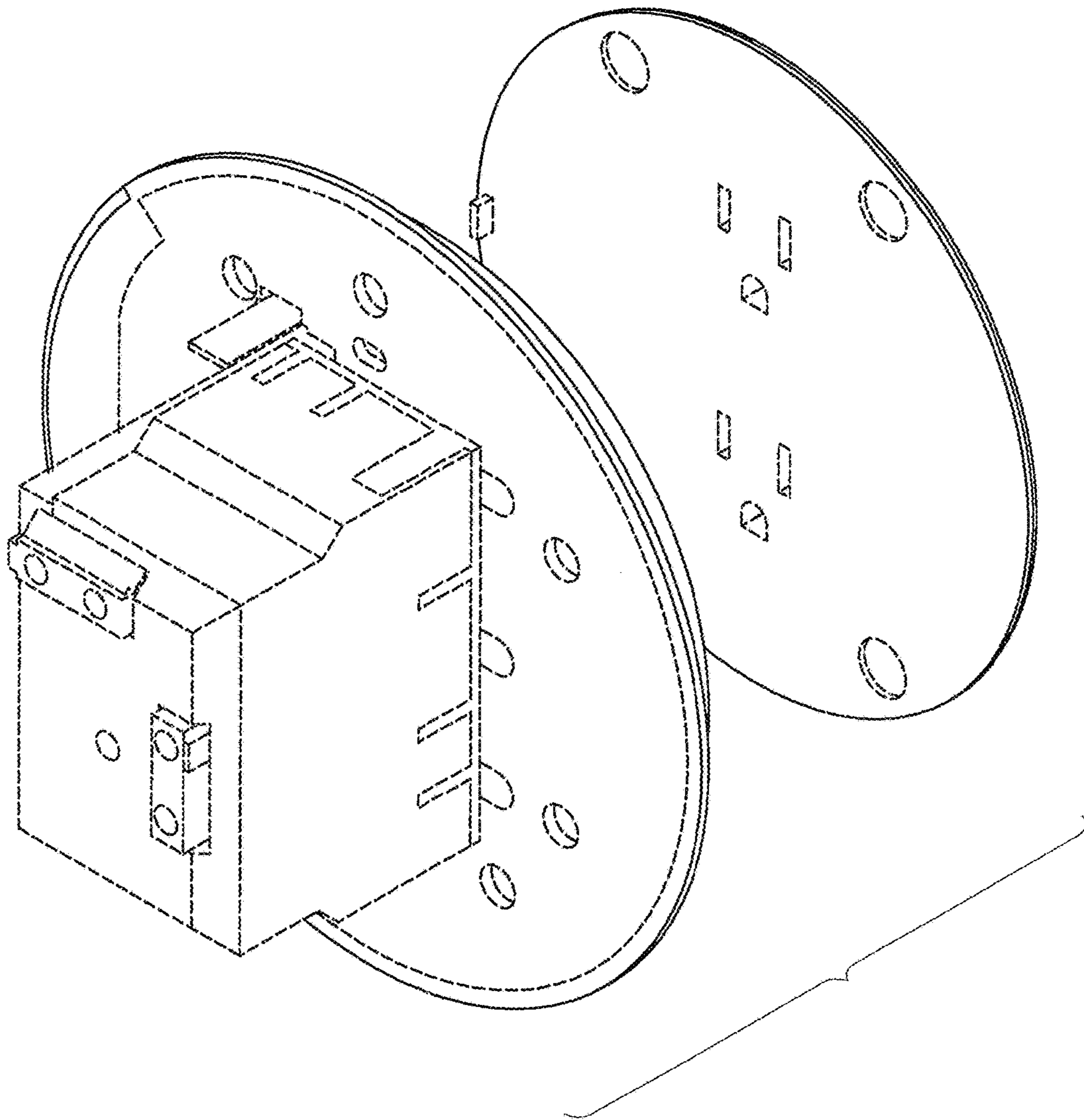


FIG. 4

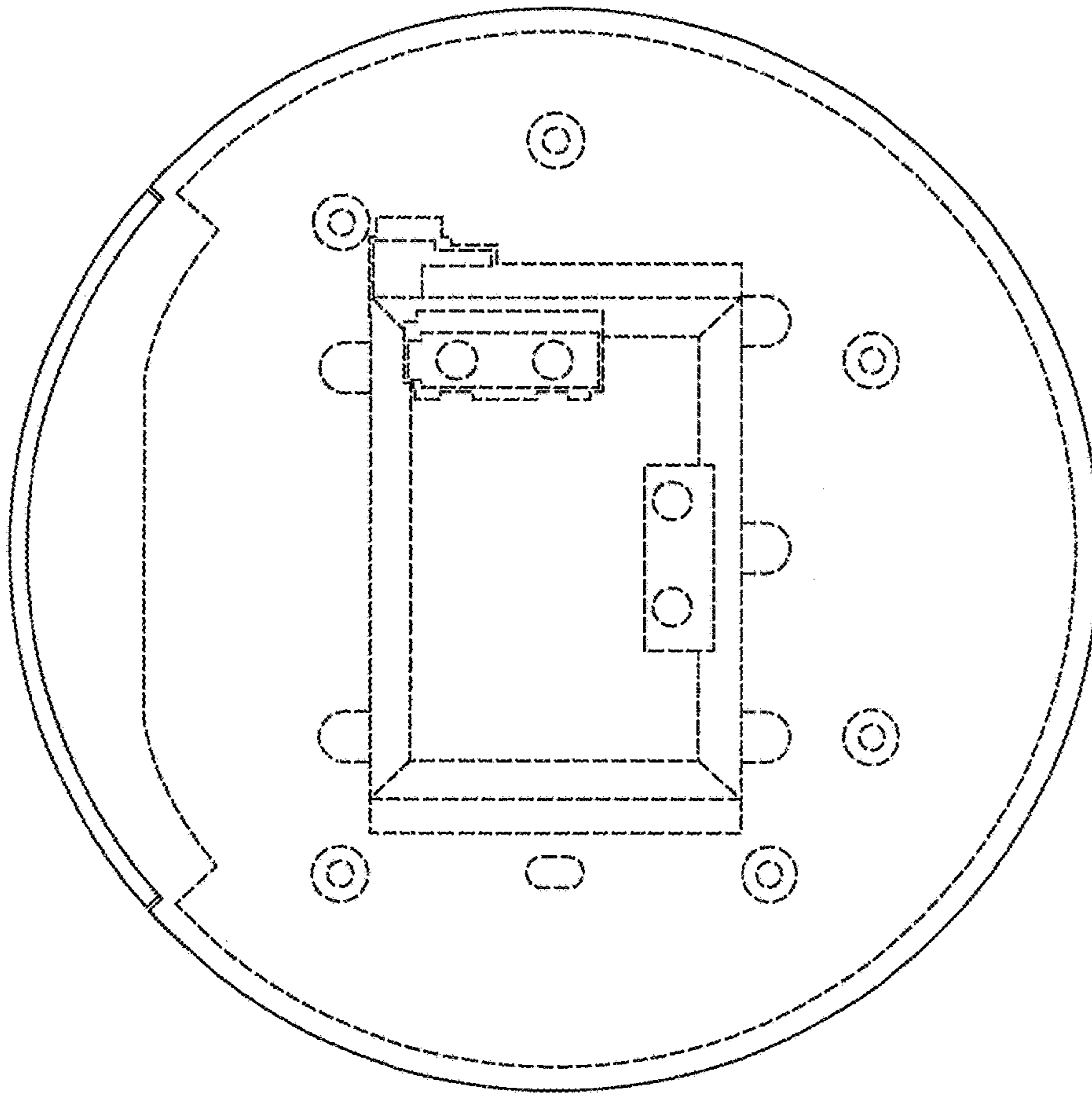


FIG. 5

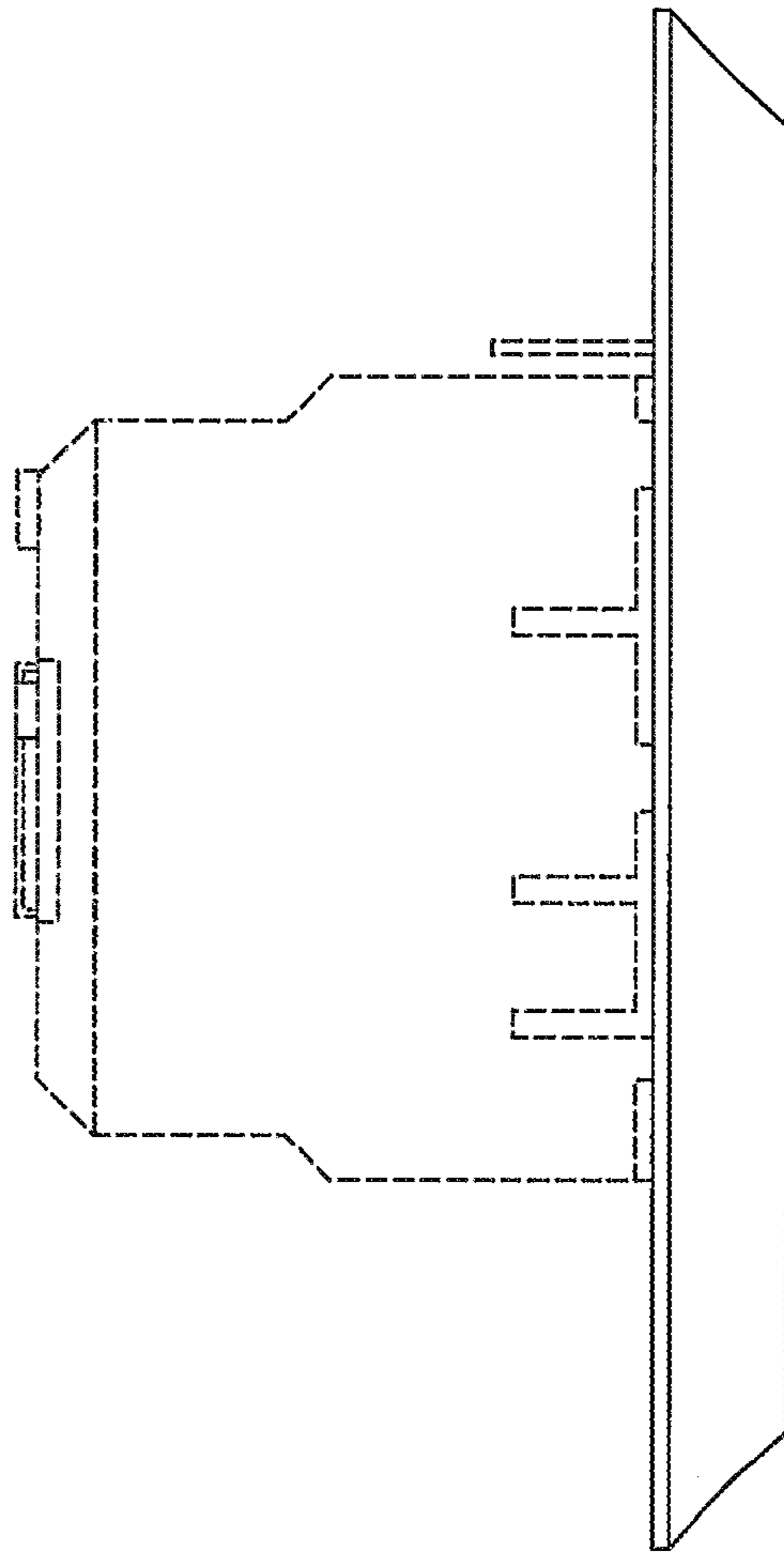


FIG. 6

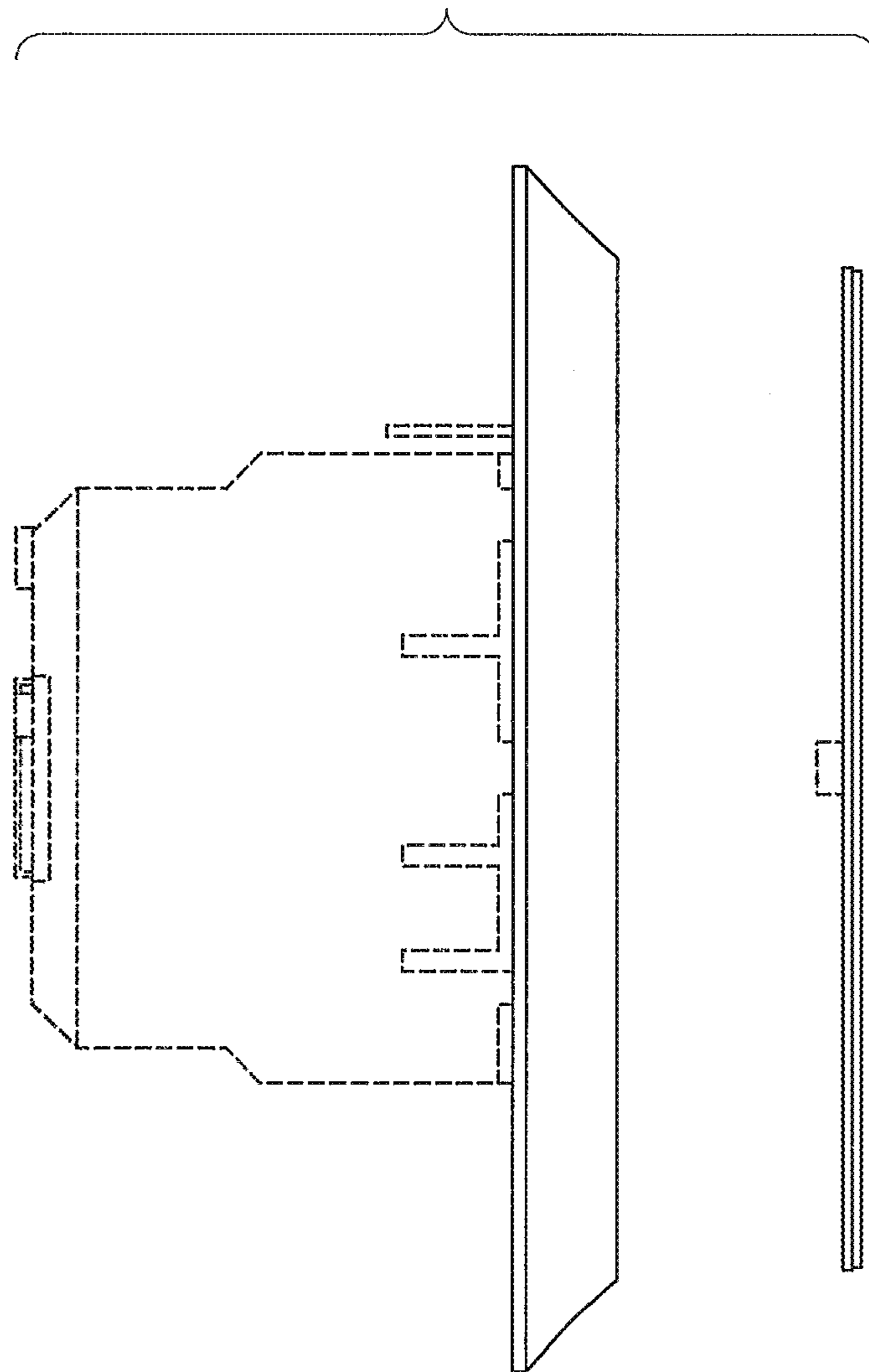


FIG. 7

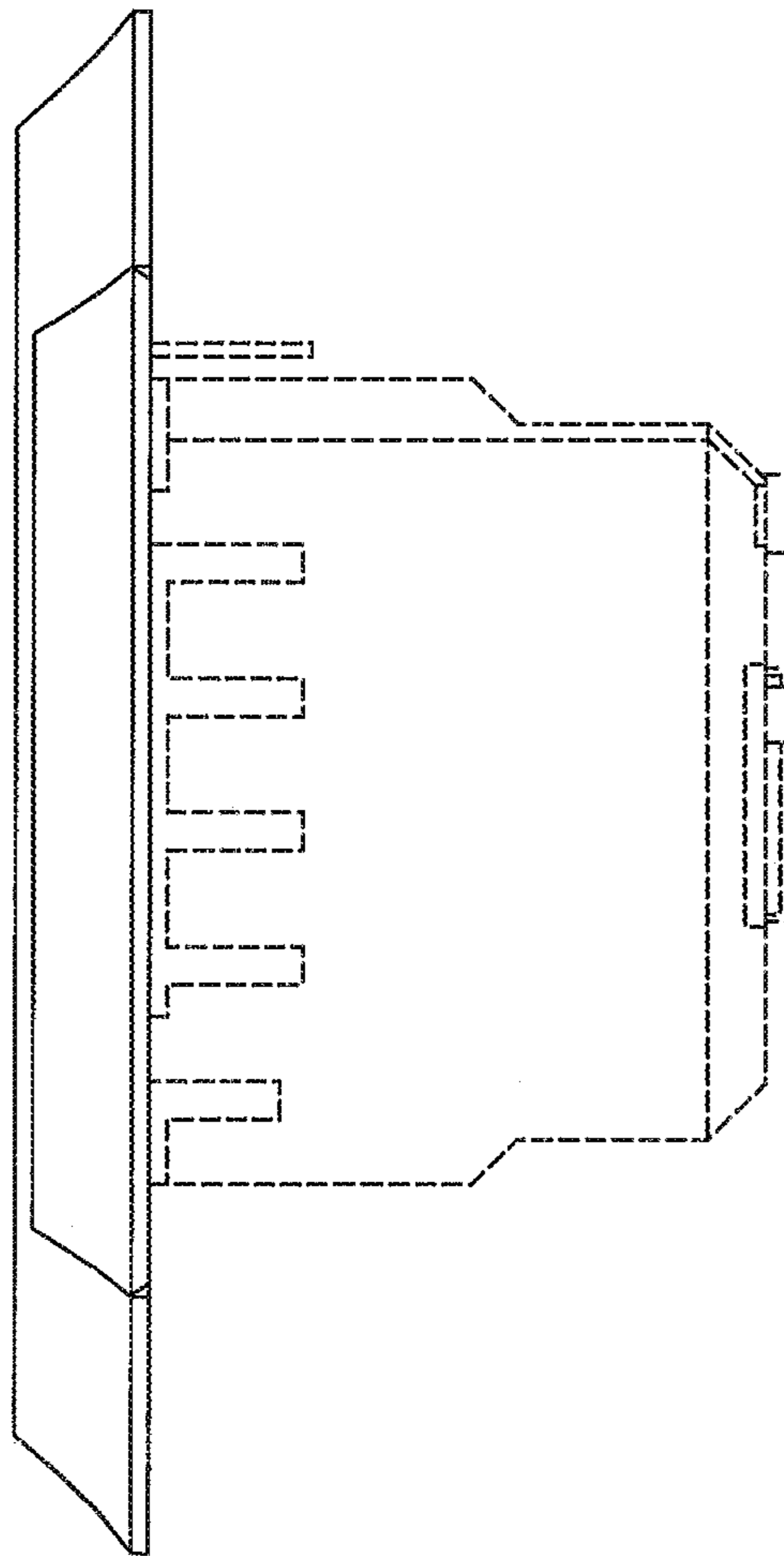


FIG. 8

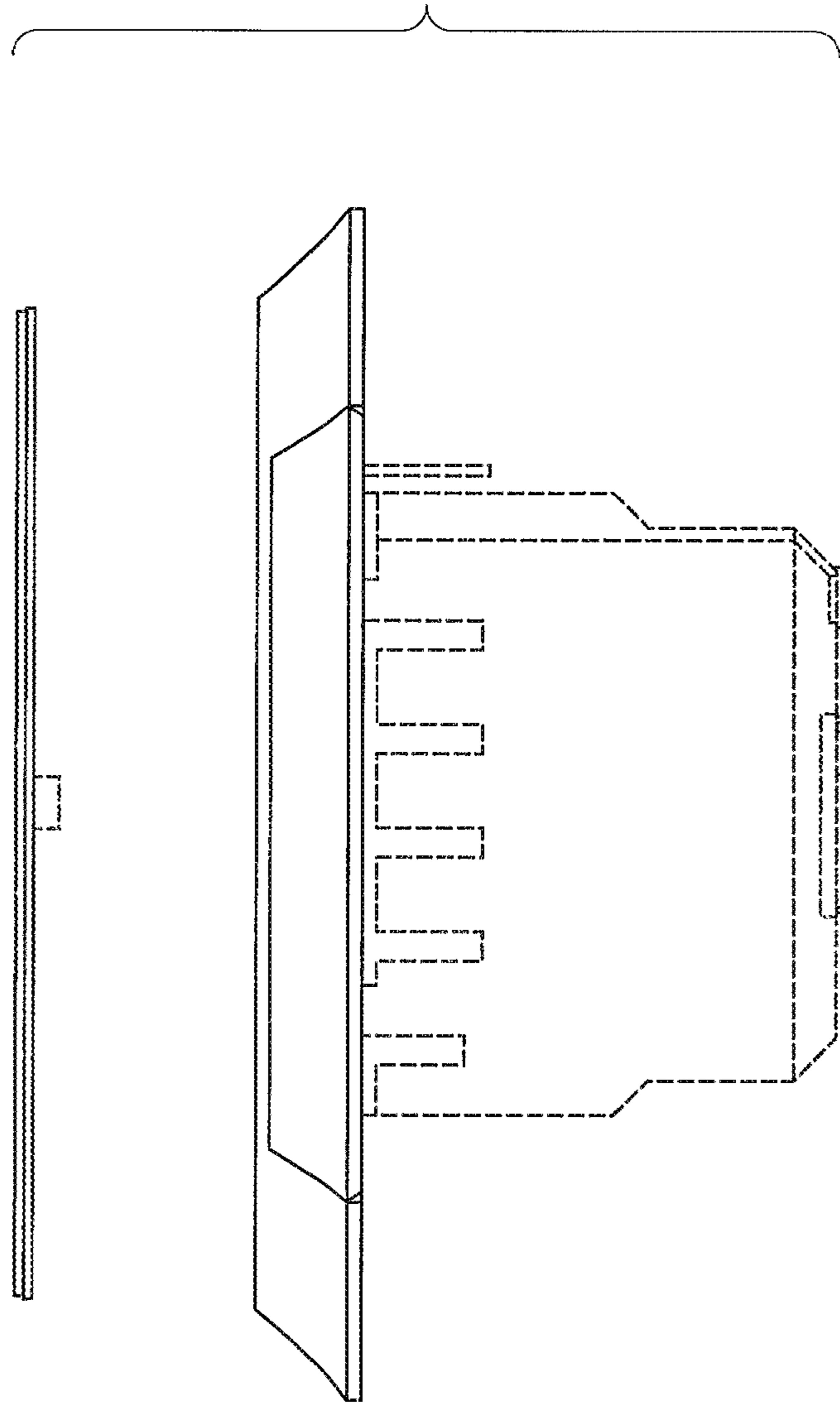


FIG. 9

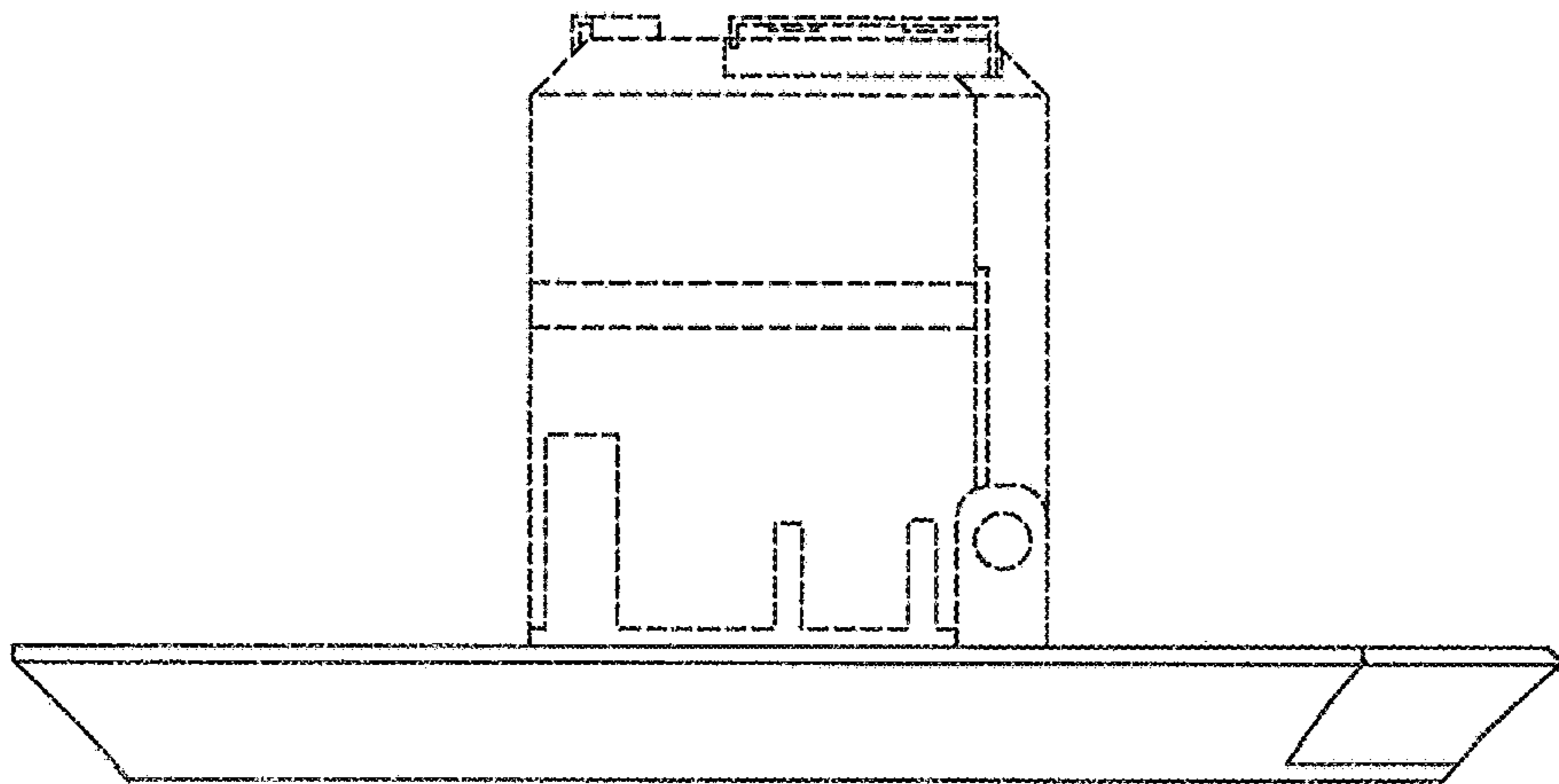


FIG. 10

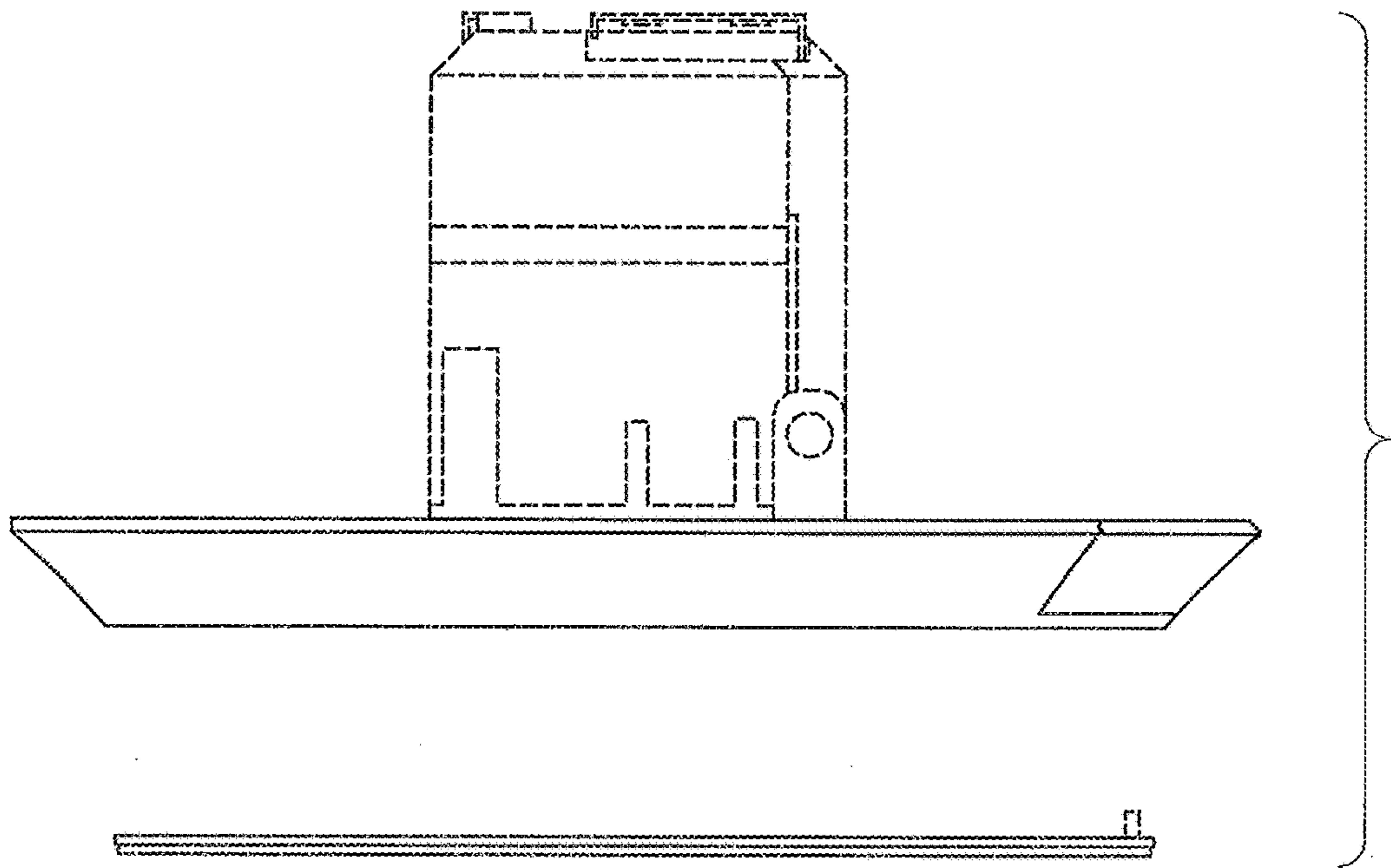


FIG. 11

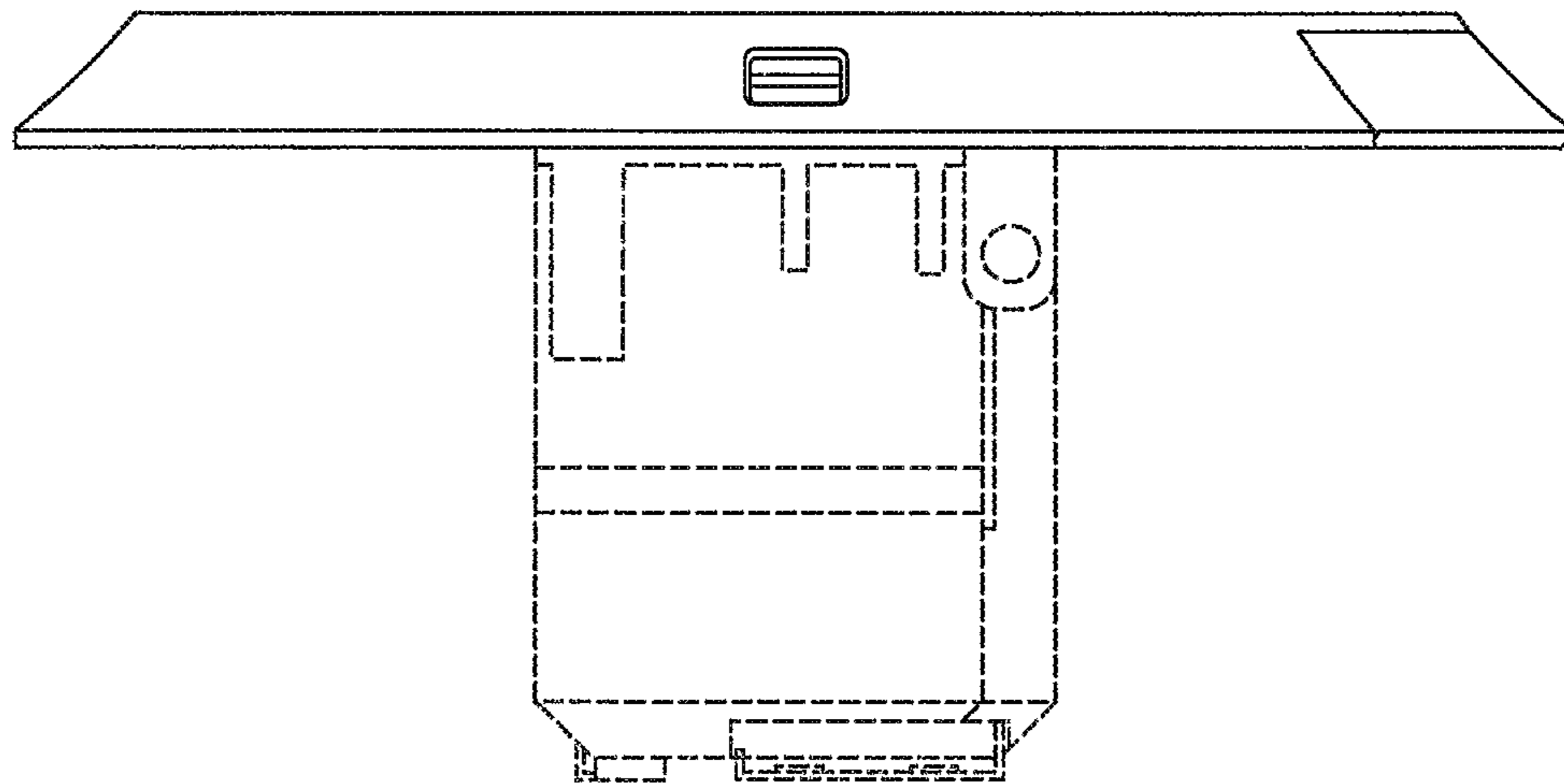


FIG. 12

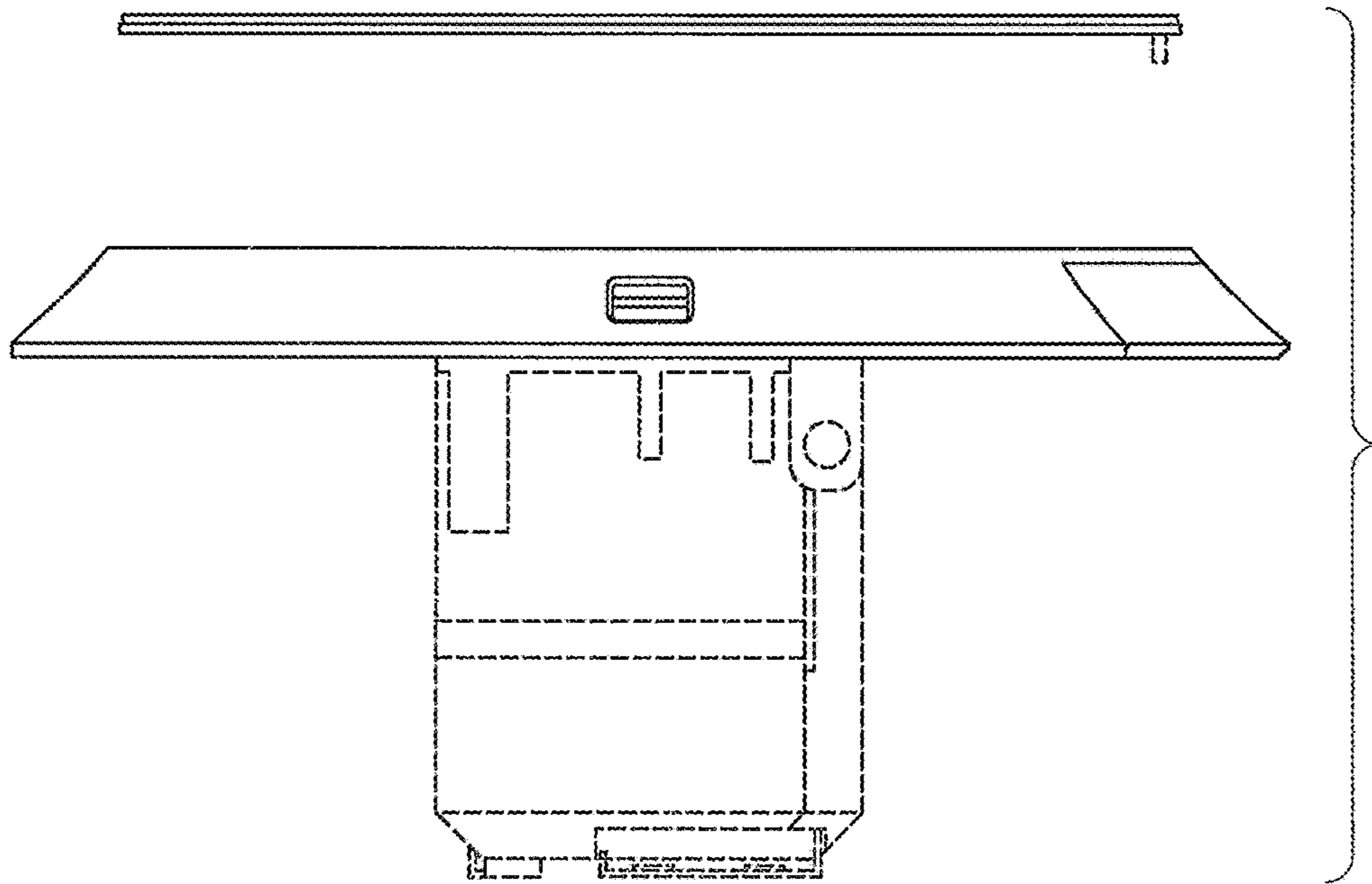


FIG. 13

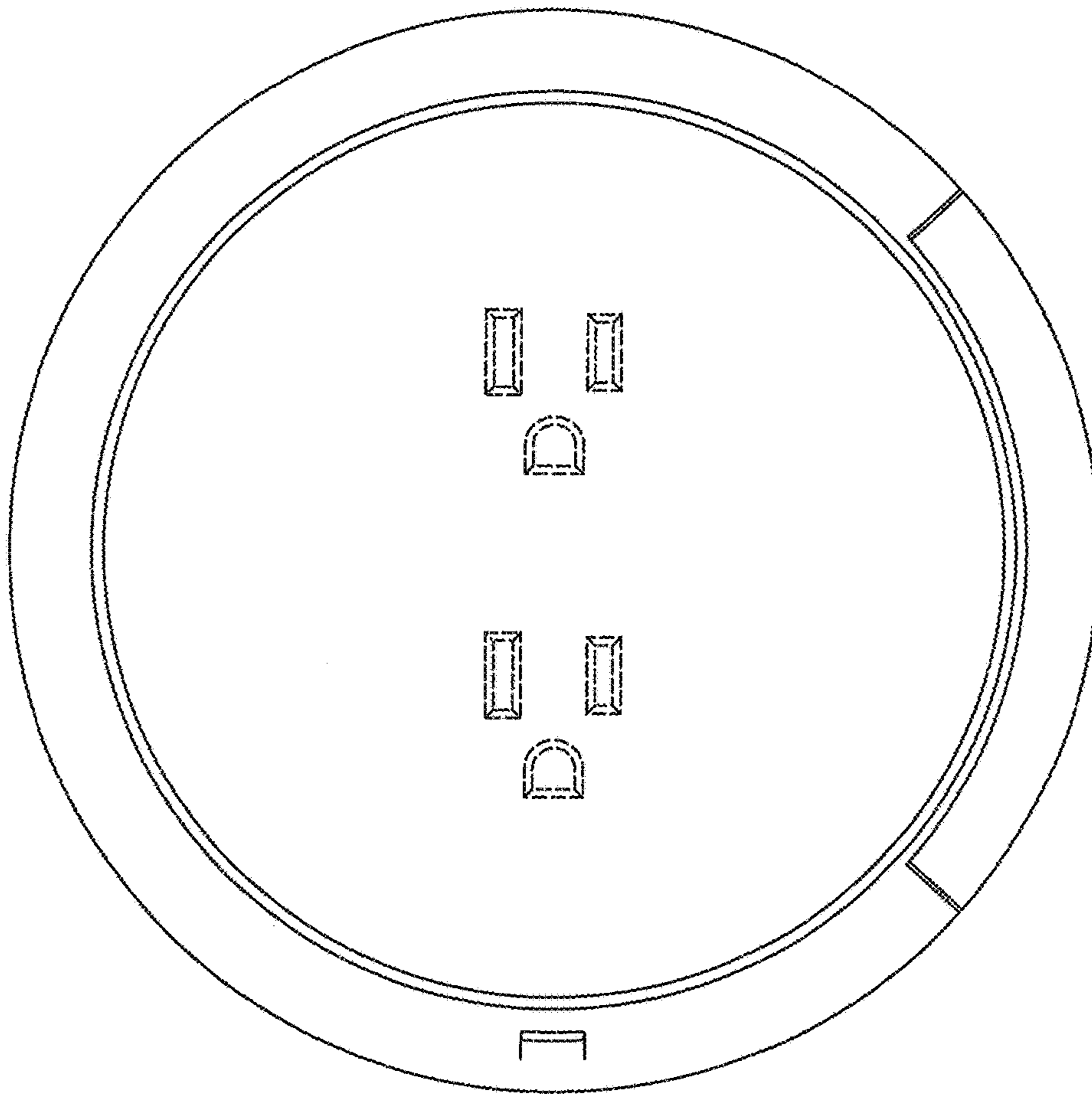


FIG. 14

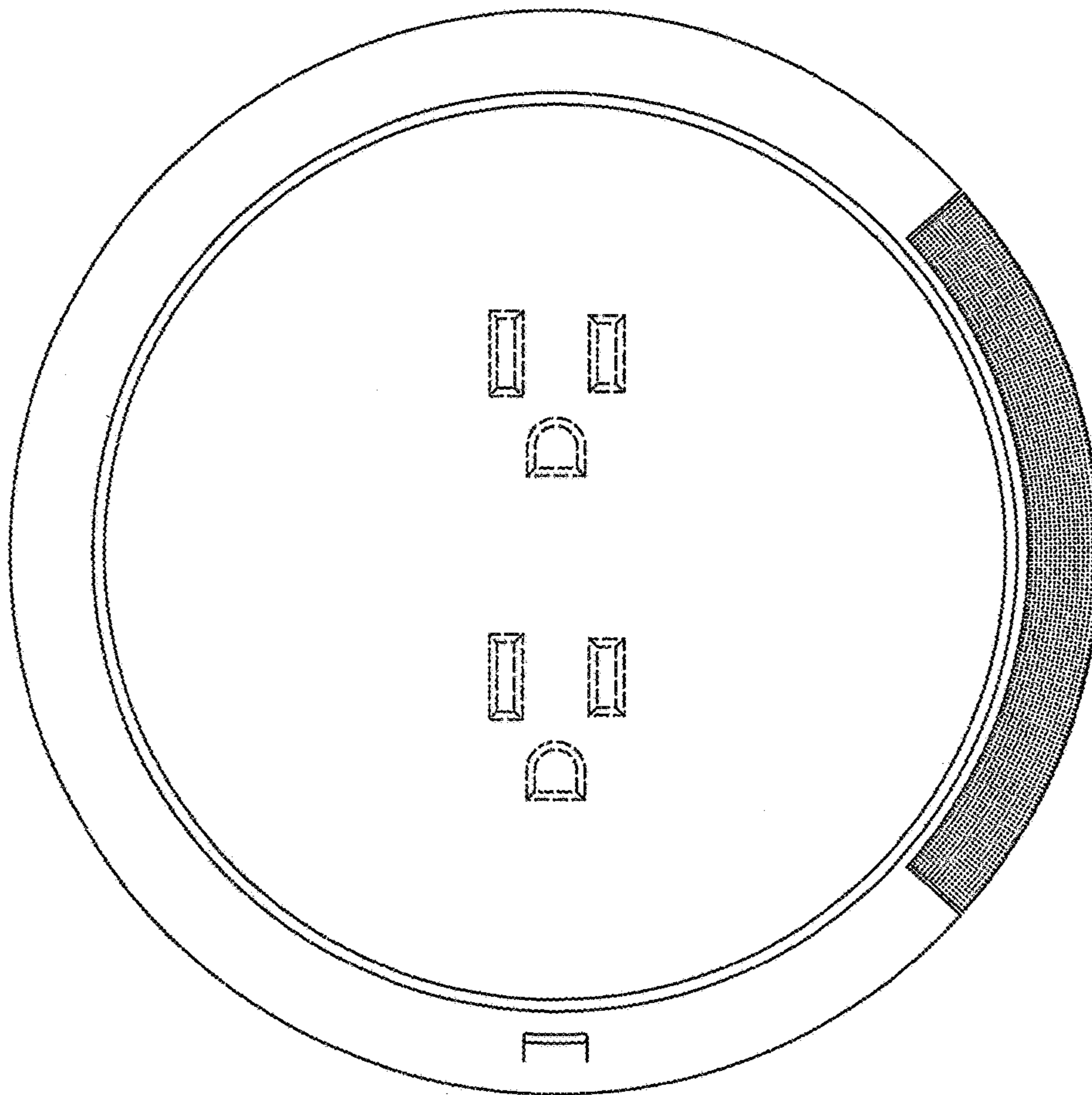


FIG. 15

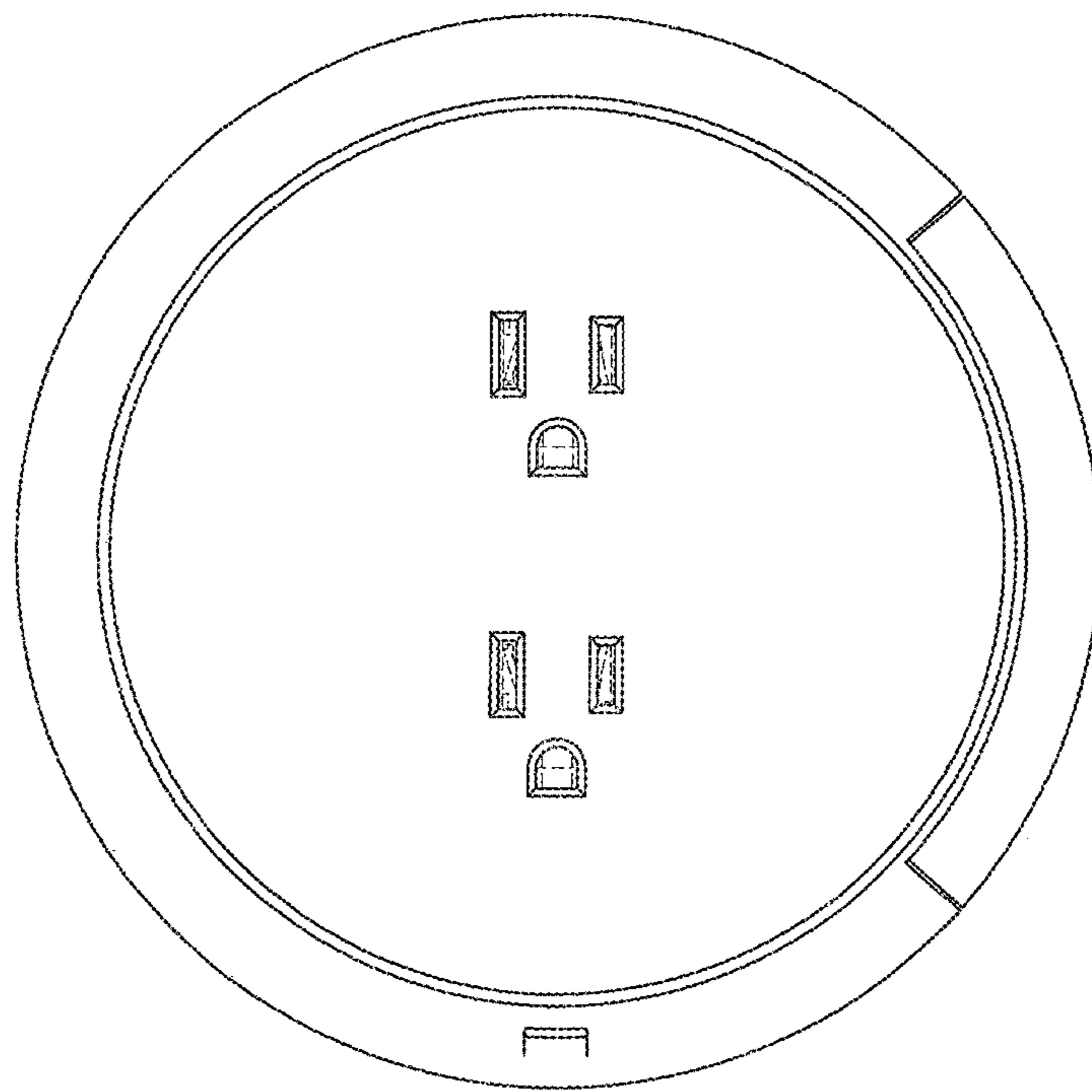


FIG. 16