



US00D793337S

(12) **United States Design Patent**  
**Christensen et al.**

(10) **Patent No.:** **US D793,337 S**  
(45) **Date of Patent:** **\*\* Aug. 1, 2017**

- (54) **SERVOMECHANISM**
- (71) Applicant: **TRAXXAS LP**, McKinney, TX (US)
- (72) Inventors: **Casey Christen Jens Christensen**,  
McKinney, TX (US); **Otto Karl Allmendinger**,  
Rowlett, TX (US)
- (73) Assignee: **TRAXXAS, L.P.**, McKinney, TX (US)
- (\*\*) Term: **15 Years**
- (21) Appl. No.: **29/540,012**
- (22) Filed: **Sep. 18, 2015**
- (51) **LOC (10) Cl.** ..... **13-01**
- (52) **U.S. Cl.**  
USPC ..... **D13/112**
- (58) **Field of Classification Search**  
USPC ..... D13/110, 112, 113, 114, 122, 158, 162;  
D15/3, 5, 140, 149, 199  
CPC ..... A63H 29/22; H02K 7/116; H02K 1/185;  
F15B 11/00  
See application file for complete search history.

(56) **References Cited**

**U.S. PATENT DOCUMENTS**

- D674,343 S \* 1/2013 Chen ..... D13/112
- D682,783 S \* 5/2013 Chen ..... D13/112
- 2004/0160133 A1\* 8/2004 Jinno ..... A63H 29/22  
310/31

- 2009/0066176 A1\* 3/2009 Pettey ..... H02K 7/116  
310/83
- 2014/0161632 A1\* 6/2014 Cocconi ..... F15B 15/18  
417/53
- 2014/0360298 A1\* 12/2014 Wei ..... H02K 7/116  
74/421 A
- 2015/0207368 A1\* 7/2015 Chen ..... H02K 1/185  
310/83
- 2015/0285339 A1\* 10/2015 Chen ..... H02K 7/116  
74/412 R

\* cited by examiner

*Primary Examiner* — Selina Sikder

(74) *Attorney, Agent, or Firm* — CARR Law Firm PLLC

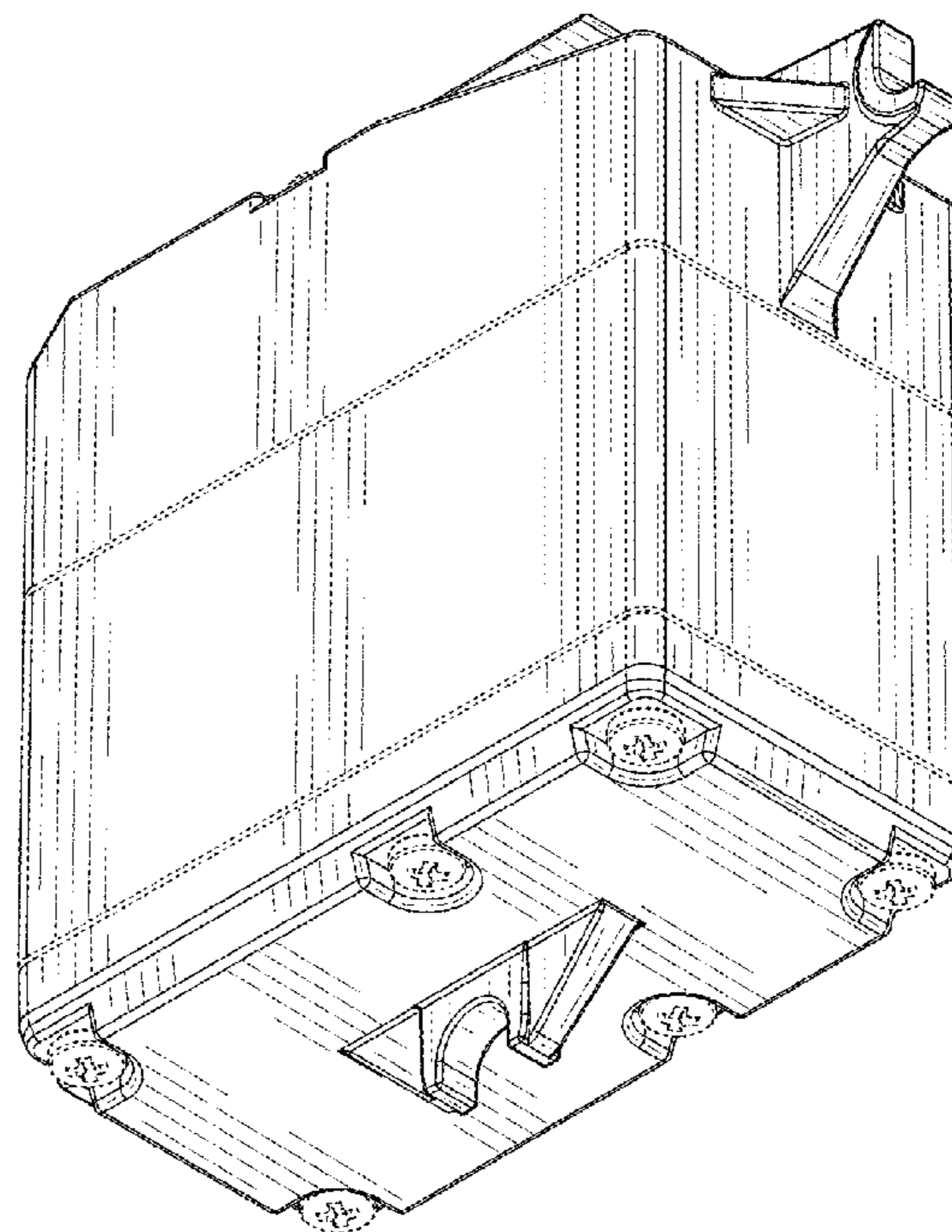
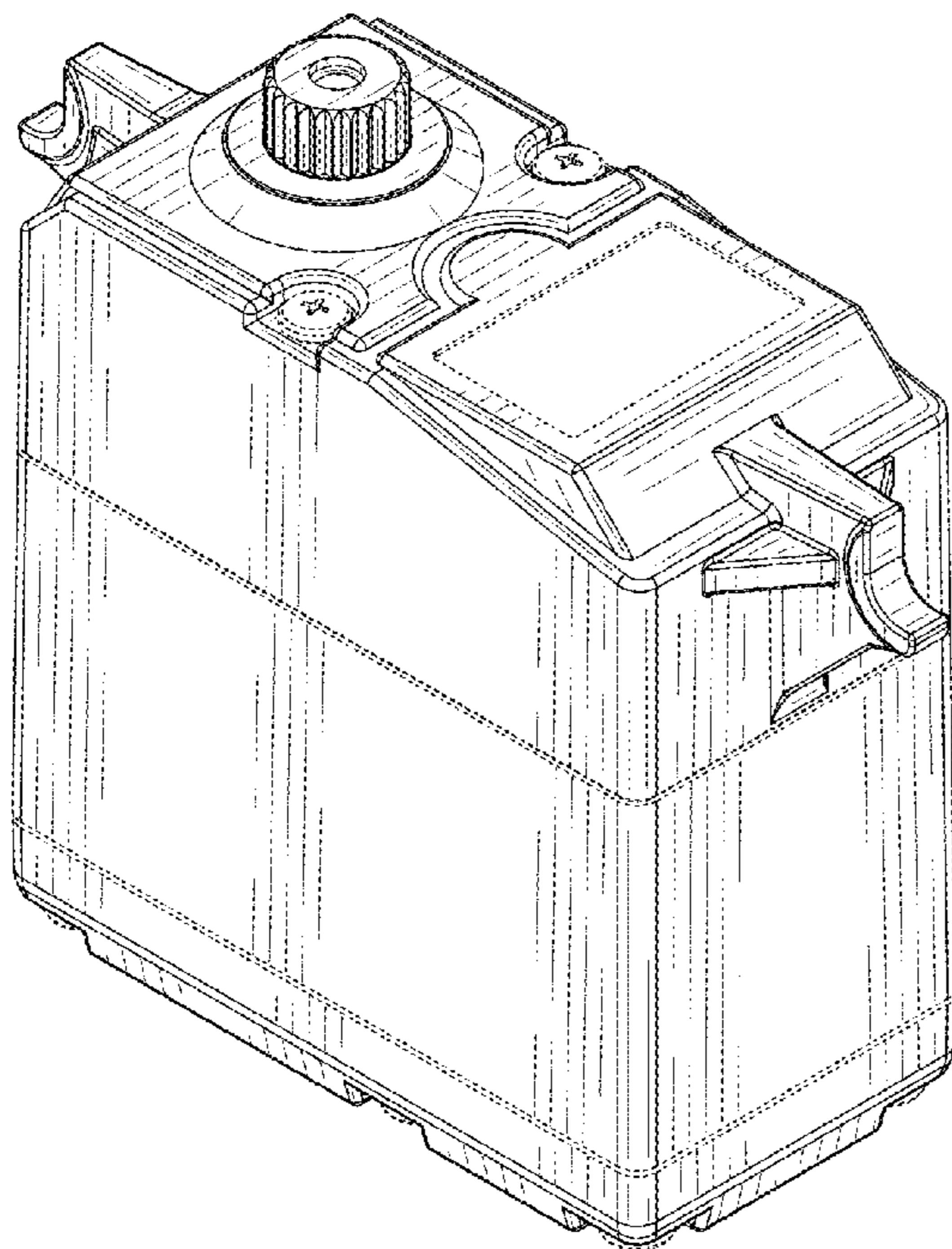
(57) **CLAIM**

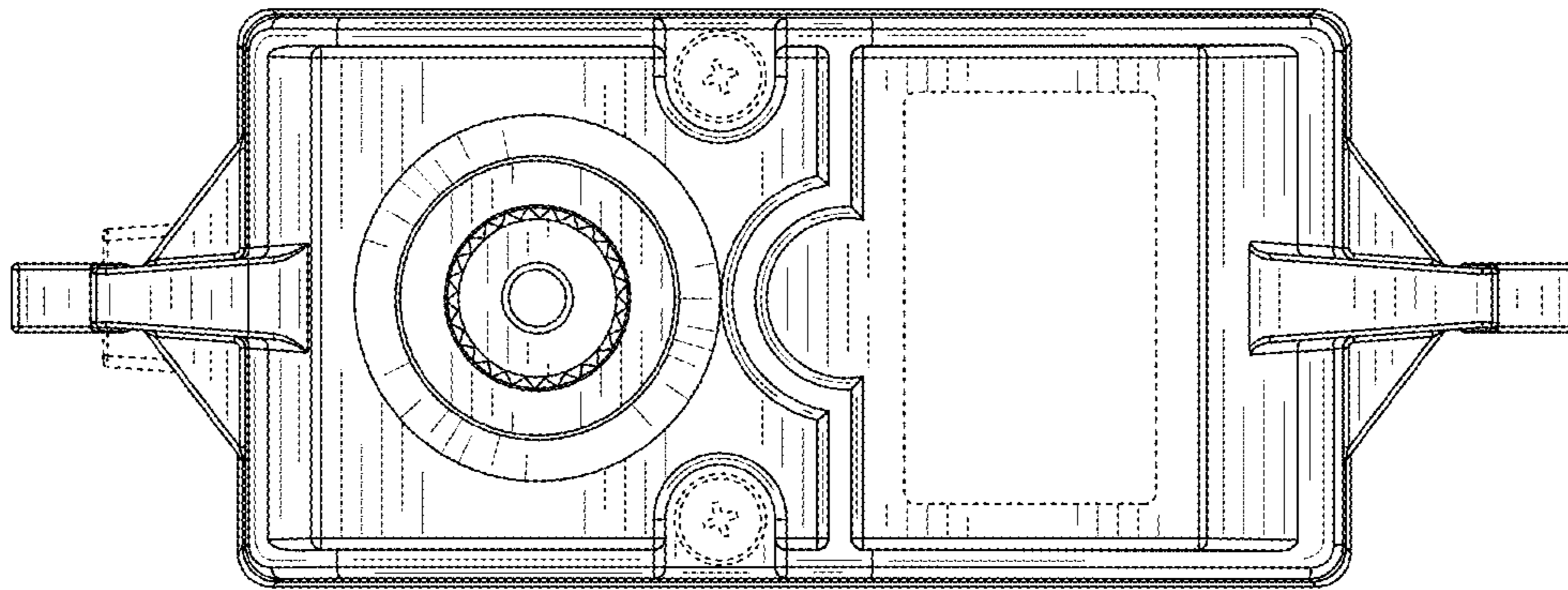
We claim the ornamental design for a servomechanism, as shown and described.

**DESCRIPTION**

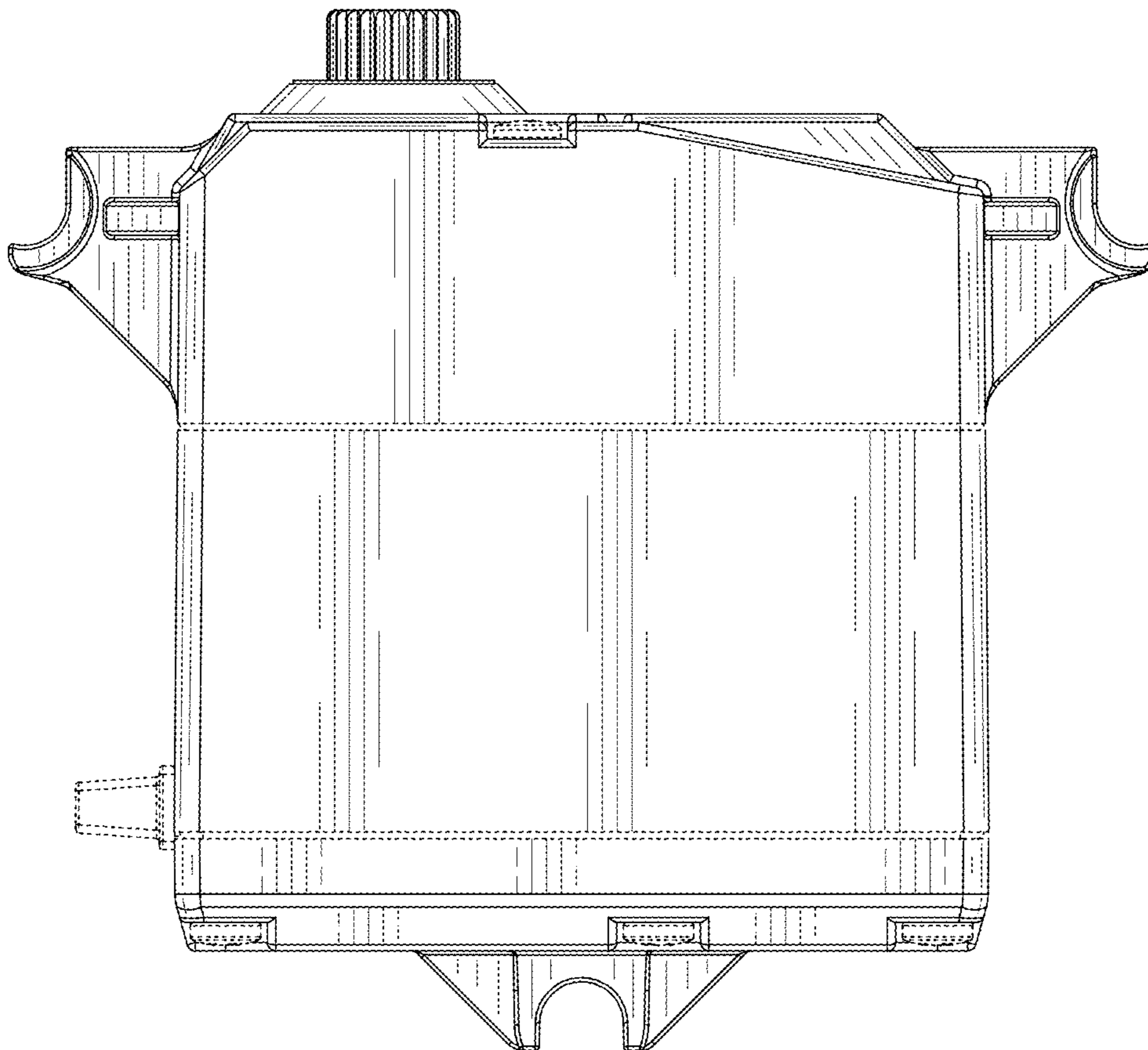
FIG. 1 is a top view of a servomechanism;  
 FIG. 2 is a front elevation thereof;  
 FIG. 3 is a right side elevation view thereof;  
 FIG. 4 is a bottom plan view thereof;  
 FIG. 5 is a front, top, right perspective view thereof; and,  
 FIG. 6 is a front, bottom, right perspective plan view thereof.  
 Structural elements depicted by broken lines have been shown for the purpose of illustrating portions of the servomechanism that form no part of the claimed design.  
 The appearance of the right side of the servomechanism is a mirror image of the left side of Servomechanism.

**1 Claim, 3 Drawing Sheets**

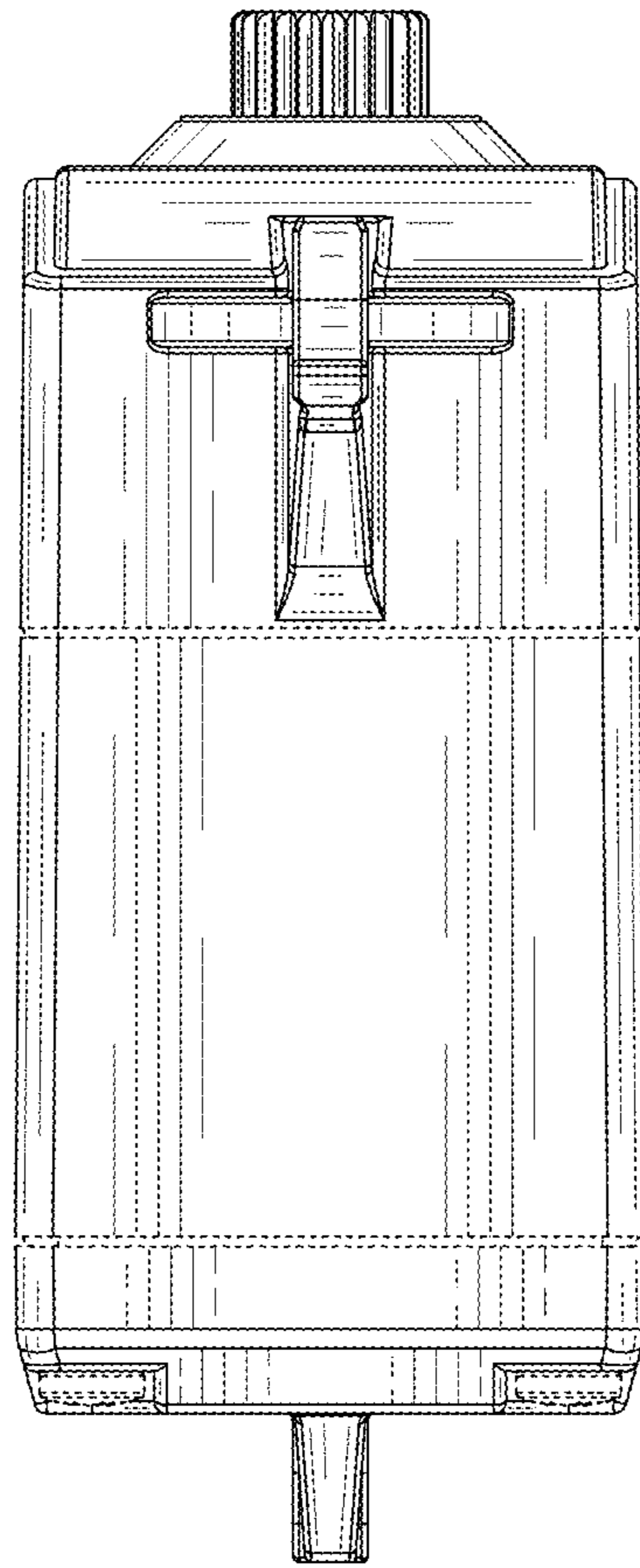




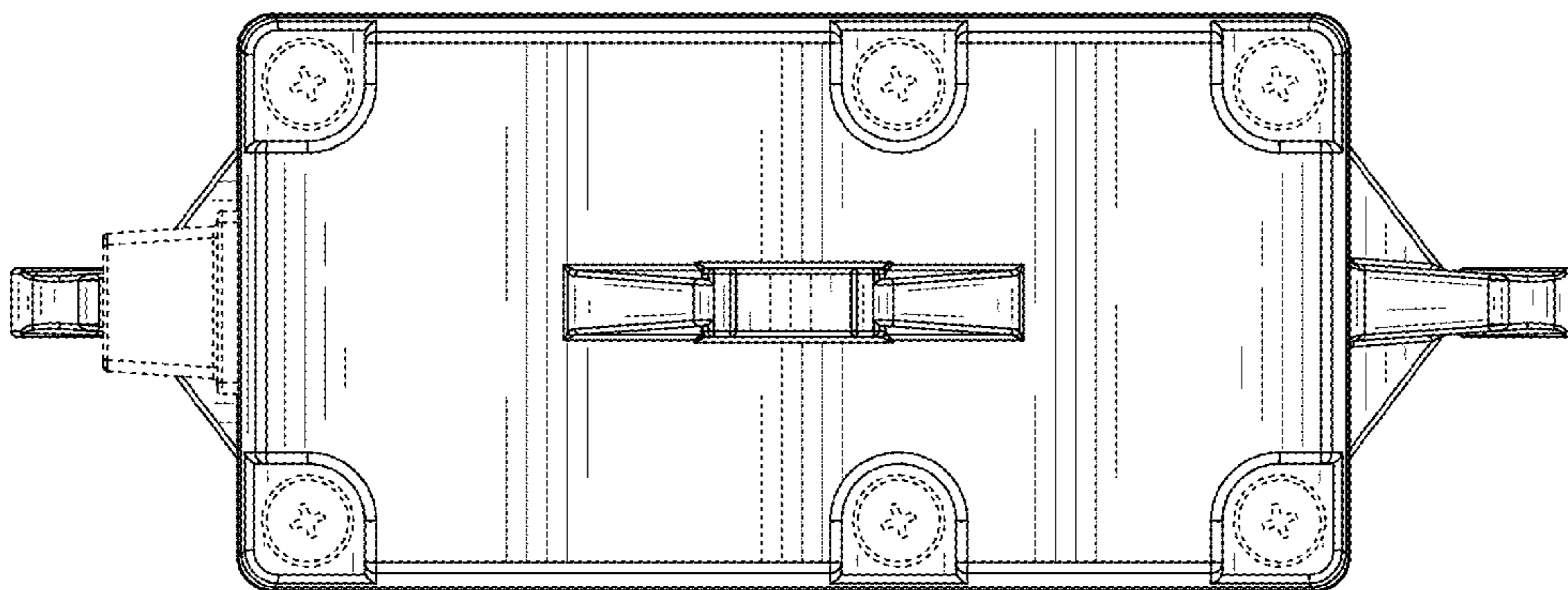
**FIG. 1**



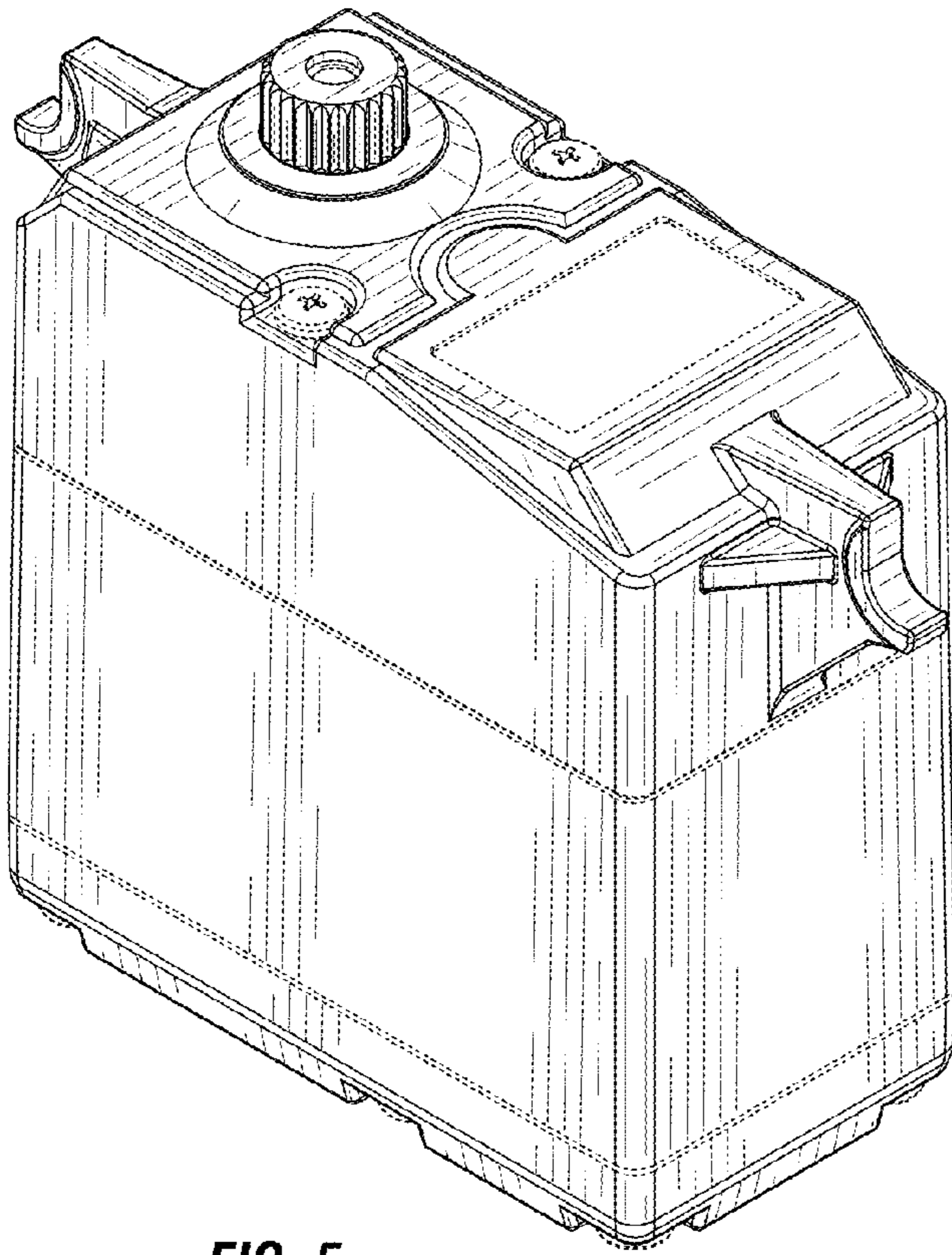
**FIG. 2**



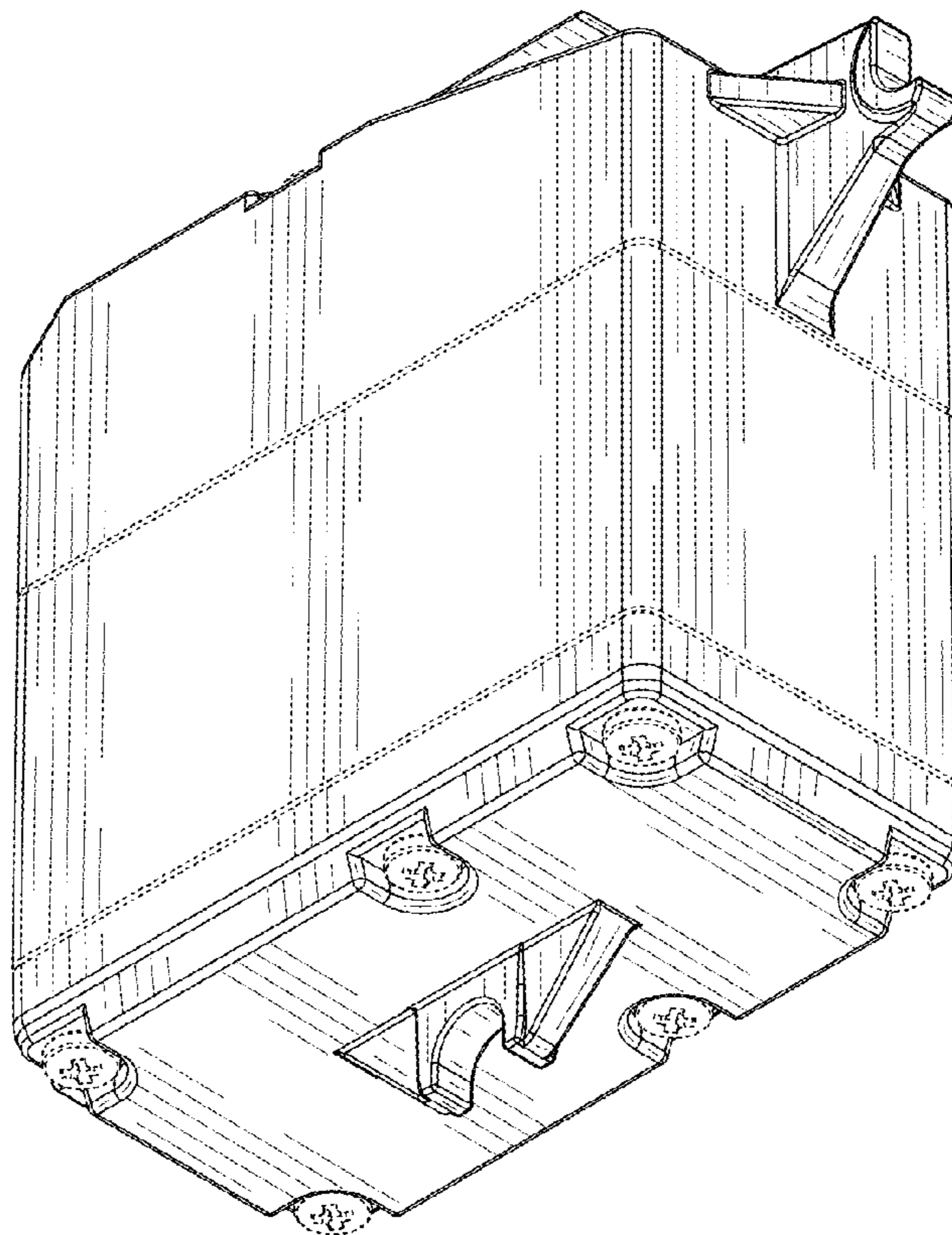
**FIG. 3**



**FIG. 4**



**FIG. 5**



**FIG. 6**