



US00D793336S

(12) **United States Design Patent**
Inskeep

(10) **Patent No.:** **US D793,336 S**

(45) **Date of Patent:** **** Aug. 1, 2017**

(54) **POWER STATION**

(71) Applicant: **Mathew Inskeep**, Highland Beach, FL
(US)

(72) Inventor: **Mathew Inskeep**, Highland Beach, FL
(US)

(**) Term: **15 Years**

(21) Appl. No.: **29/574,635**

(22) Filed: **Aug. 17, 2016**

(51) **LOC (10) Cl.** **13-02**

(52) **U.S. Cl.**
USPC **D13/107**

(58) **Field of Classification Search**

USPC D13/106-110, 118, 184; D15/9
CPC Y02E 60/12; Y02T 90/14; Y02T 90/122;
Y02T 90/128; Y02T 90/163; Y02T
10/7005; Y02T 10/705; Y02T 10/7088;
H02J 7/025; H02J 7/0042; H02J 7/0044;
H02J 7/0045; H02J 7/0003; H02J 7/0034;
H02J 7/0054; H02J 7/1423; H02J
2001/006; H01F 38/14; H01R 13/6675;
H01M 2/1022; H01M 2/1055

See application file for complete search history.

(56) **References Cited**

U.S. PATENT DOCUMENTS

D413,098 S * 8/1999 Dayan D13/106
D482,324 S * 11/2003 James D13/107
D513,733 S * 1/2006 Krieger D13/107
D589,985 S * 4/2009 Steinfels D15/9
D664,502 S * 7/2012 Inskeep D13/107

D684,116 S * 6/2013 Inskeep D13/107
D697,866 S * 1/2014 Inskeep D13/107
D704,638 S * 5/2014 Inskeep D13/110
D706,710 S * 6/2014 Inskeep D13/107
D729,728 S * 5/2015 Inskeep D13/107
D762,167 S * 7/2016 Inskeep D13/107
D781,783 S * 3/2017 Inskeep D13/107
2015/0091392 A1 * 4/2015 Hwang H02J 7/0045
307/150

* cited by examiner

Primary Examiner — Rosemary K Tarcza

Assistant Examiner — Alison Ofstun

(57) **CLAIM**

I claim the ornamental design for a power station, as shown and described.

DESCRIPTION

FIG. 1 is a top perspective view of the power station showing my new design.

FIG. 2 is a bottom perspective view thereof.

FIG. 3 is a back perspective view thereof, shown in a position of use;

FIG. 4 is a bottom view thereof, shown in a second position of use;

FIG. 5 is a top perspective view thereof, shown in a third position of use;

FIG. 6 is a top view thereof.

FIG. 7 is a bottom view thereof.

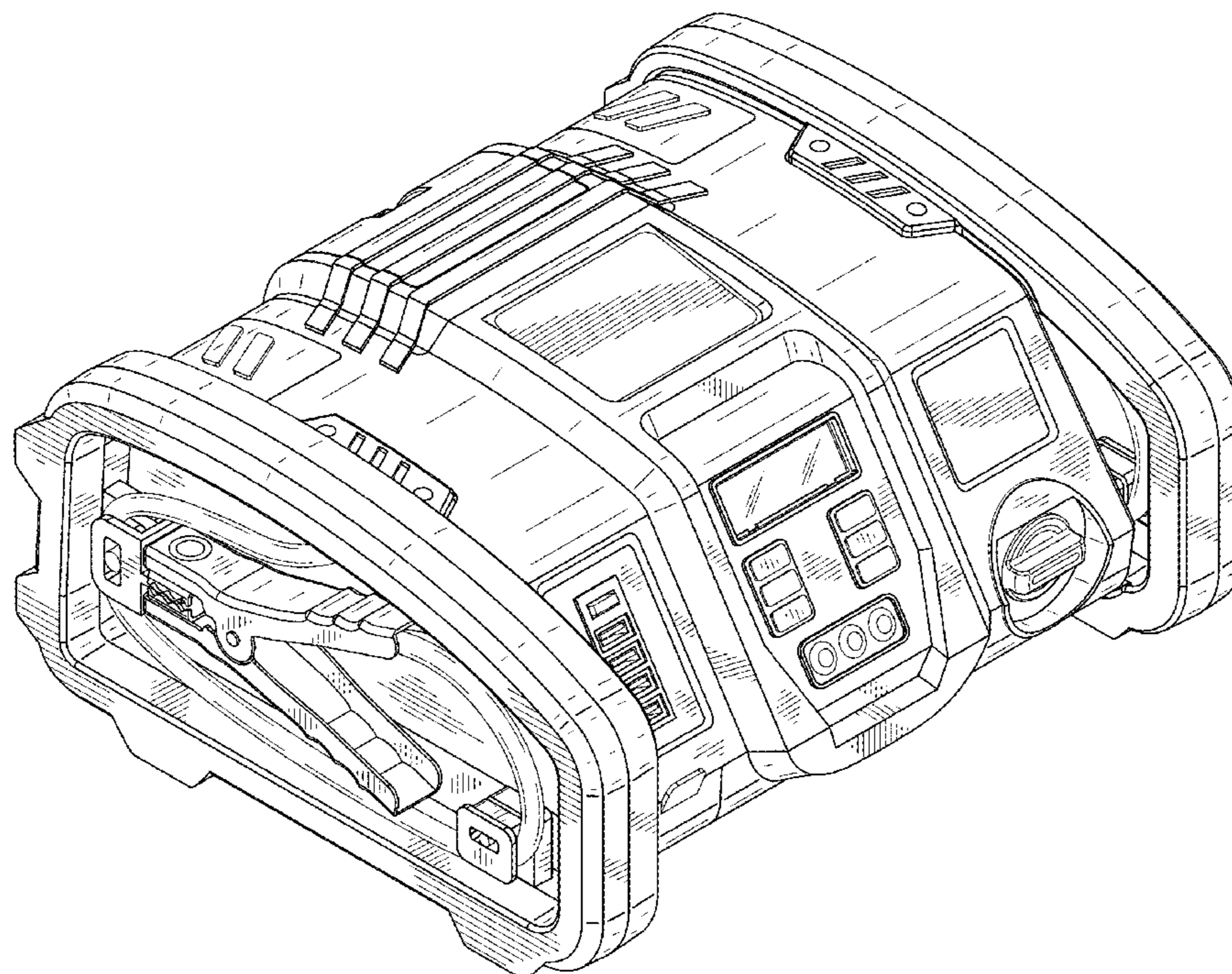
FIG. 8 is a left side view thereof, shown in a fourth position of use;

FIG. 9 is a right side view thereof.

FIG. 10 is a front view thereof; and,

FIG. 11 is a back view thereof.

1 Claim, 11 Drawing Sheets



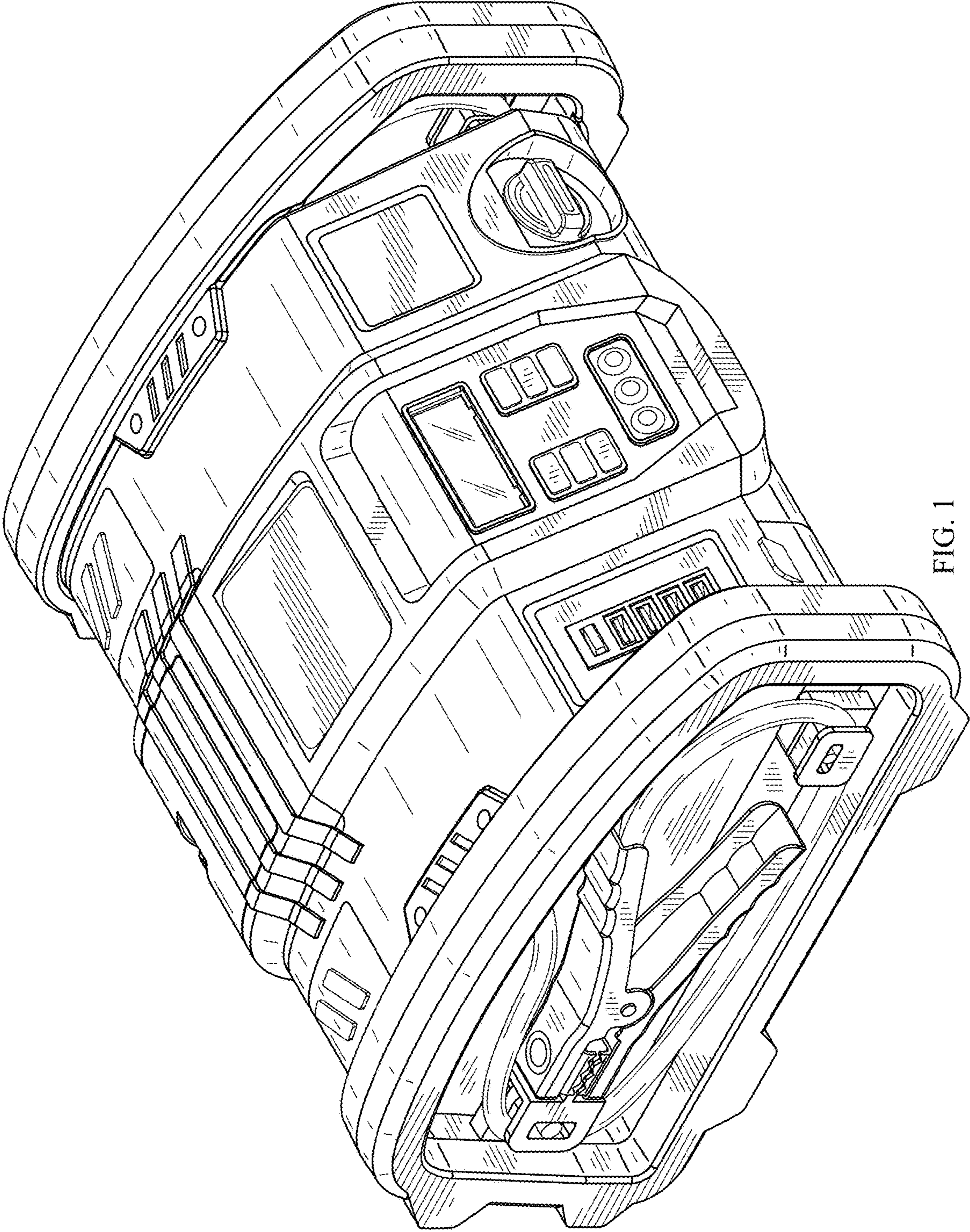


FIG. 1

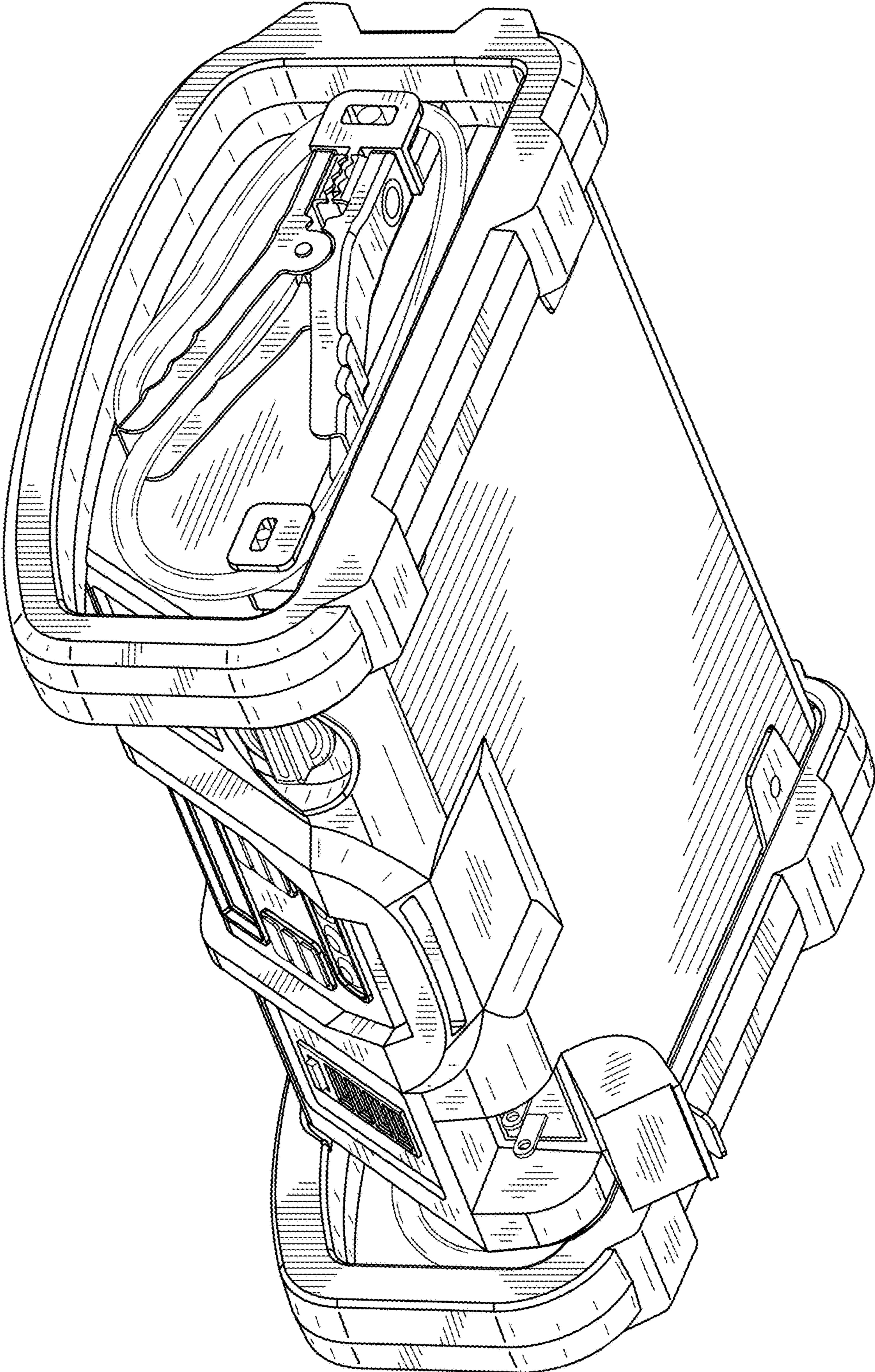


FIG. 2

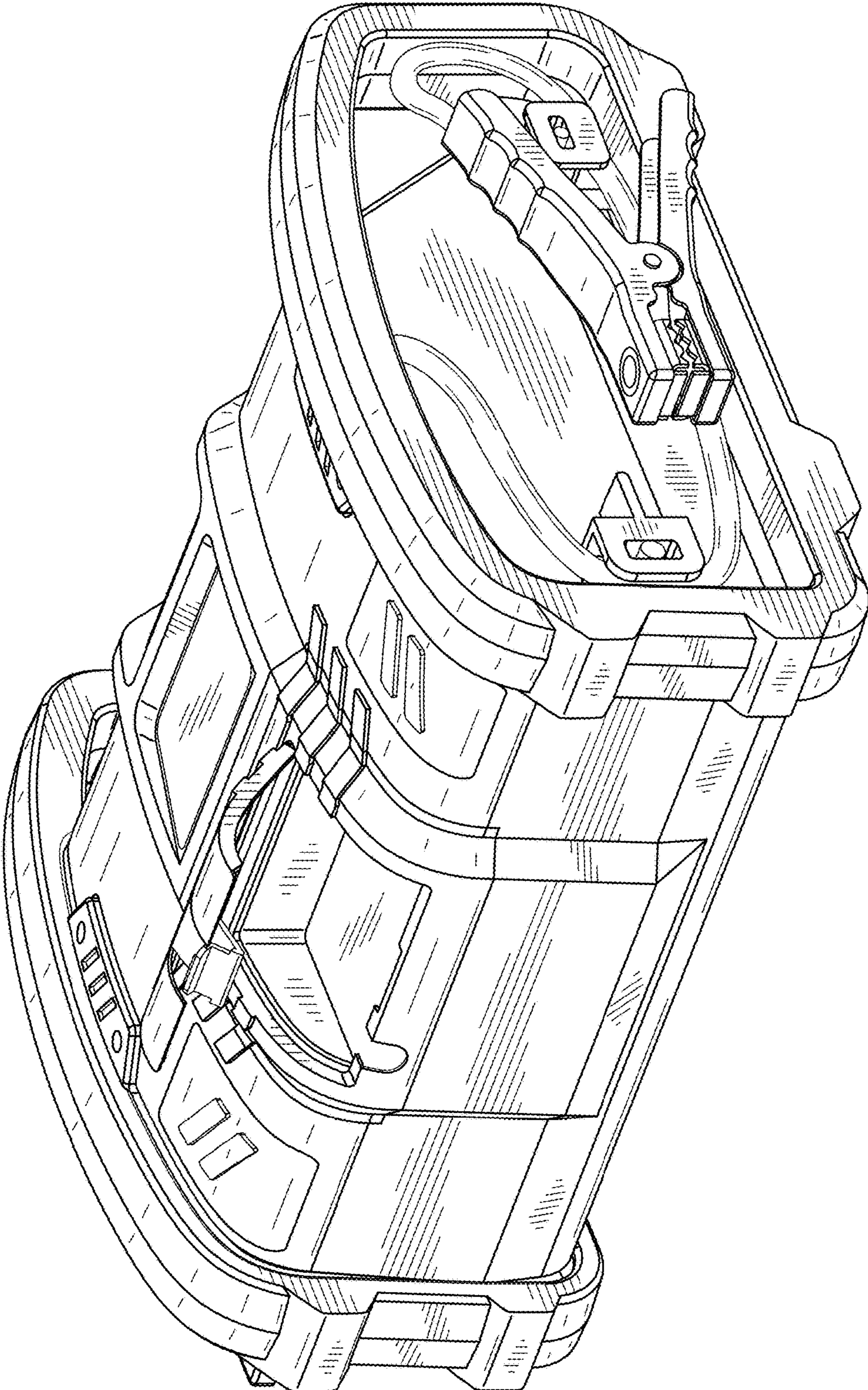


FIG. 3

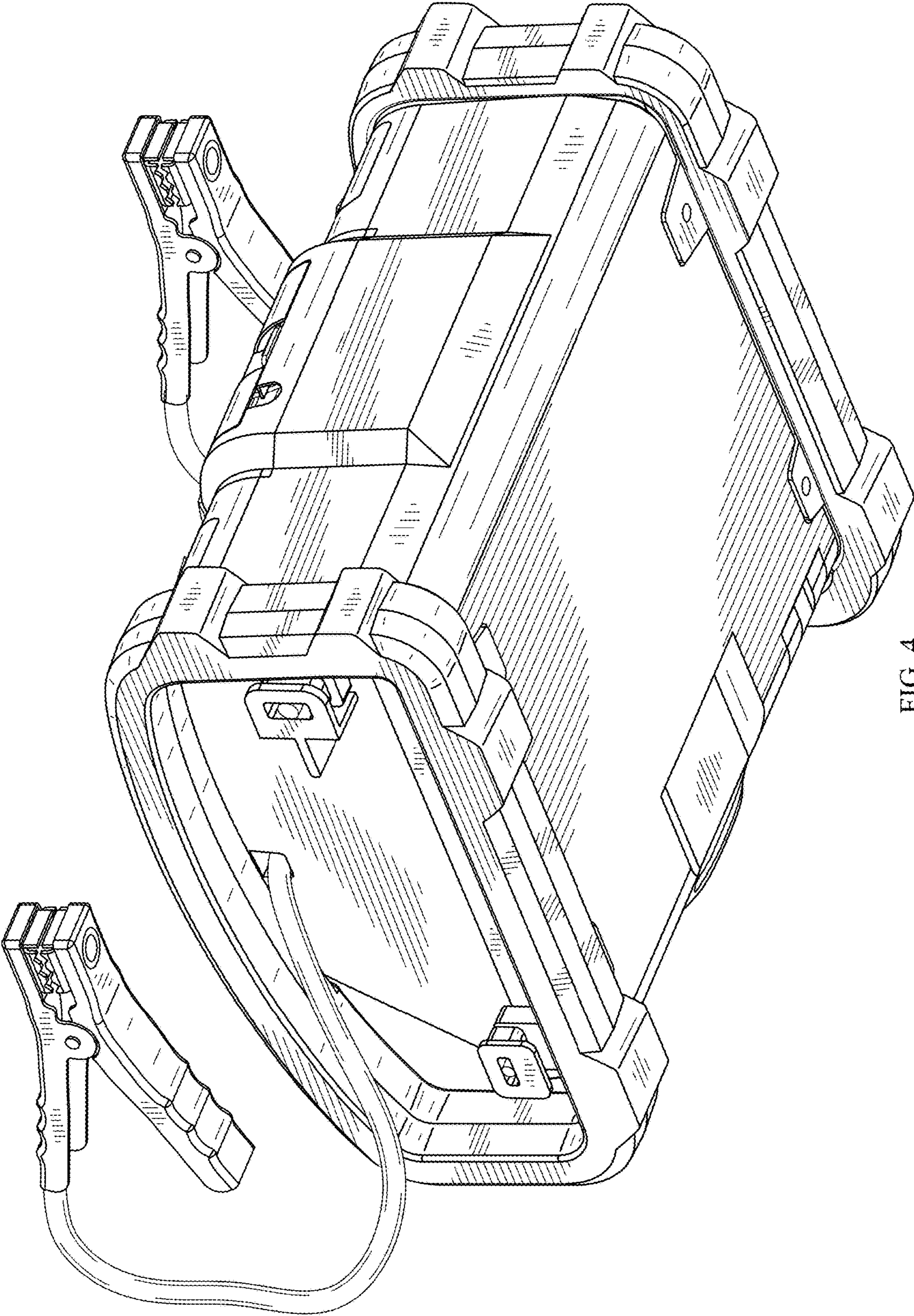


FIG. 4

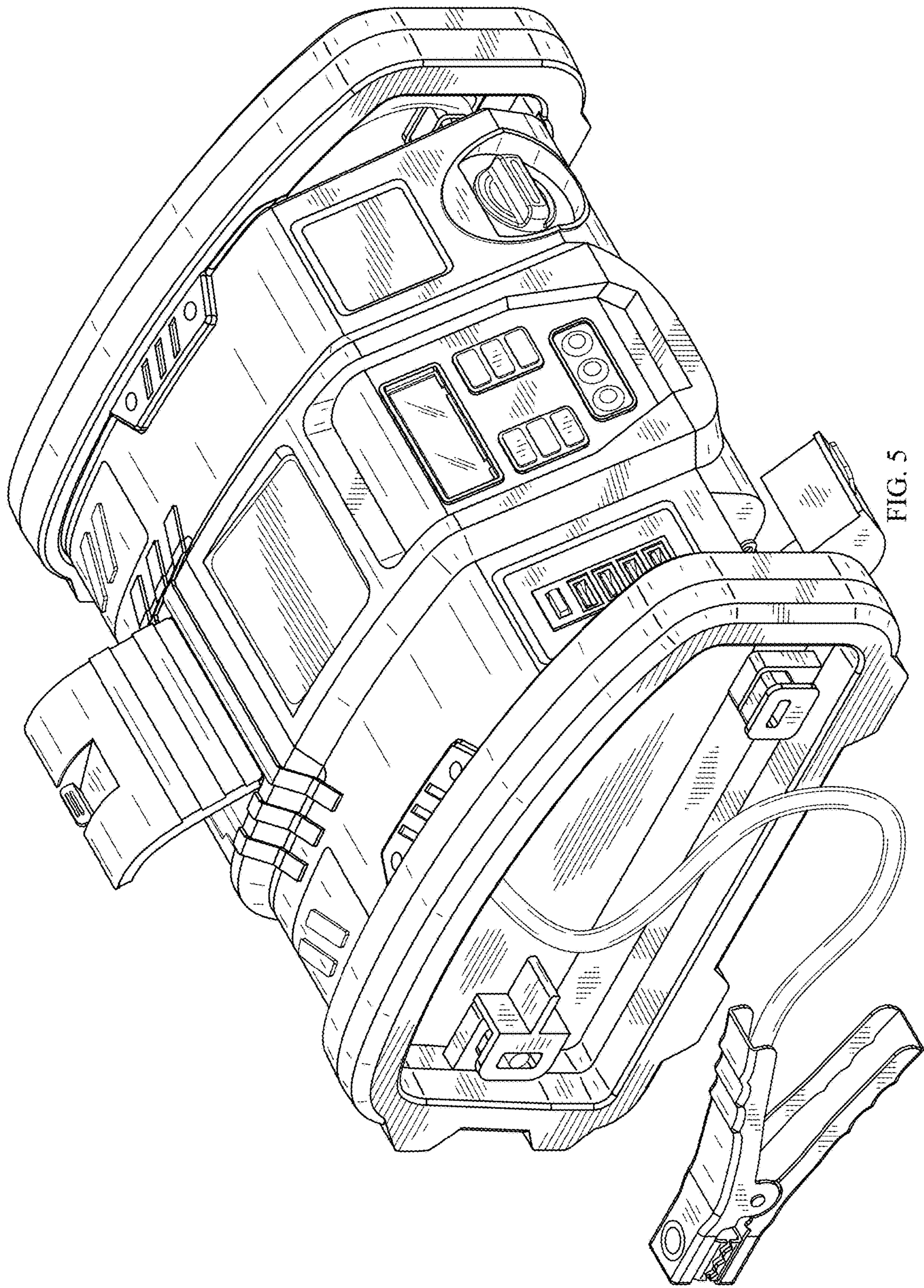


FIG. 5

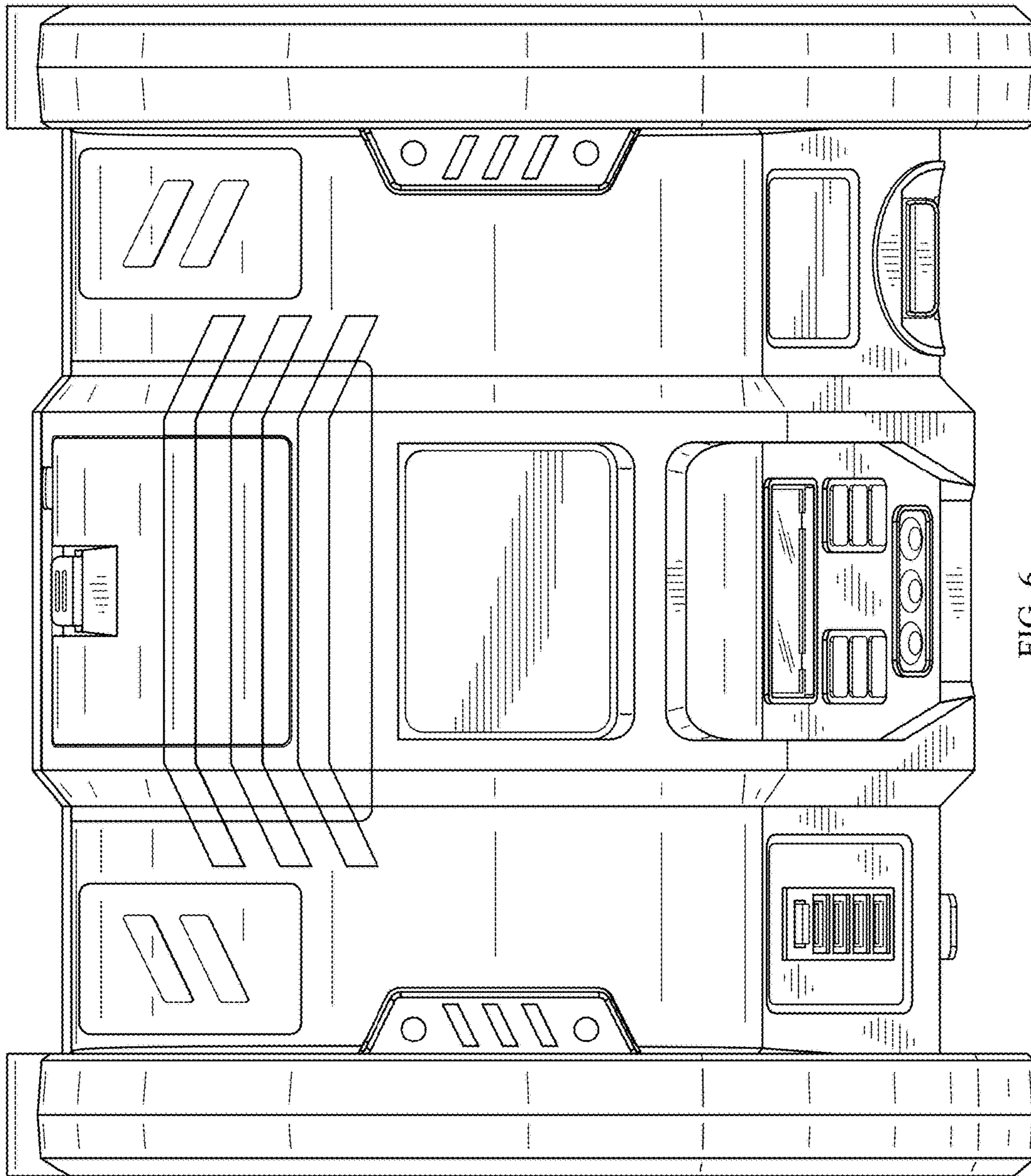
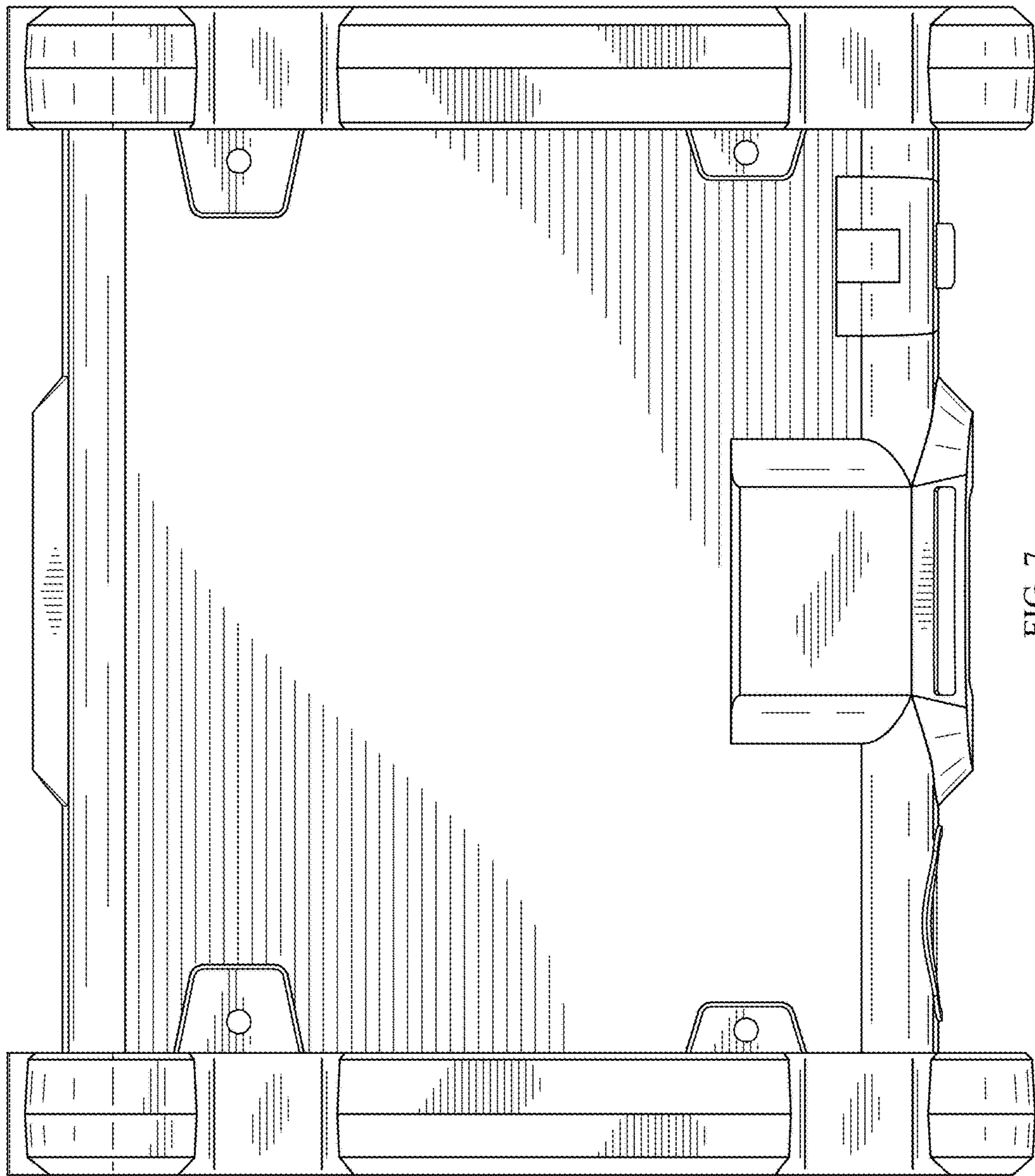


FIG. 6



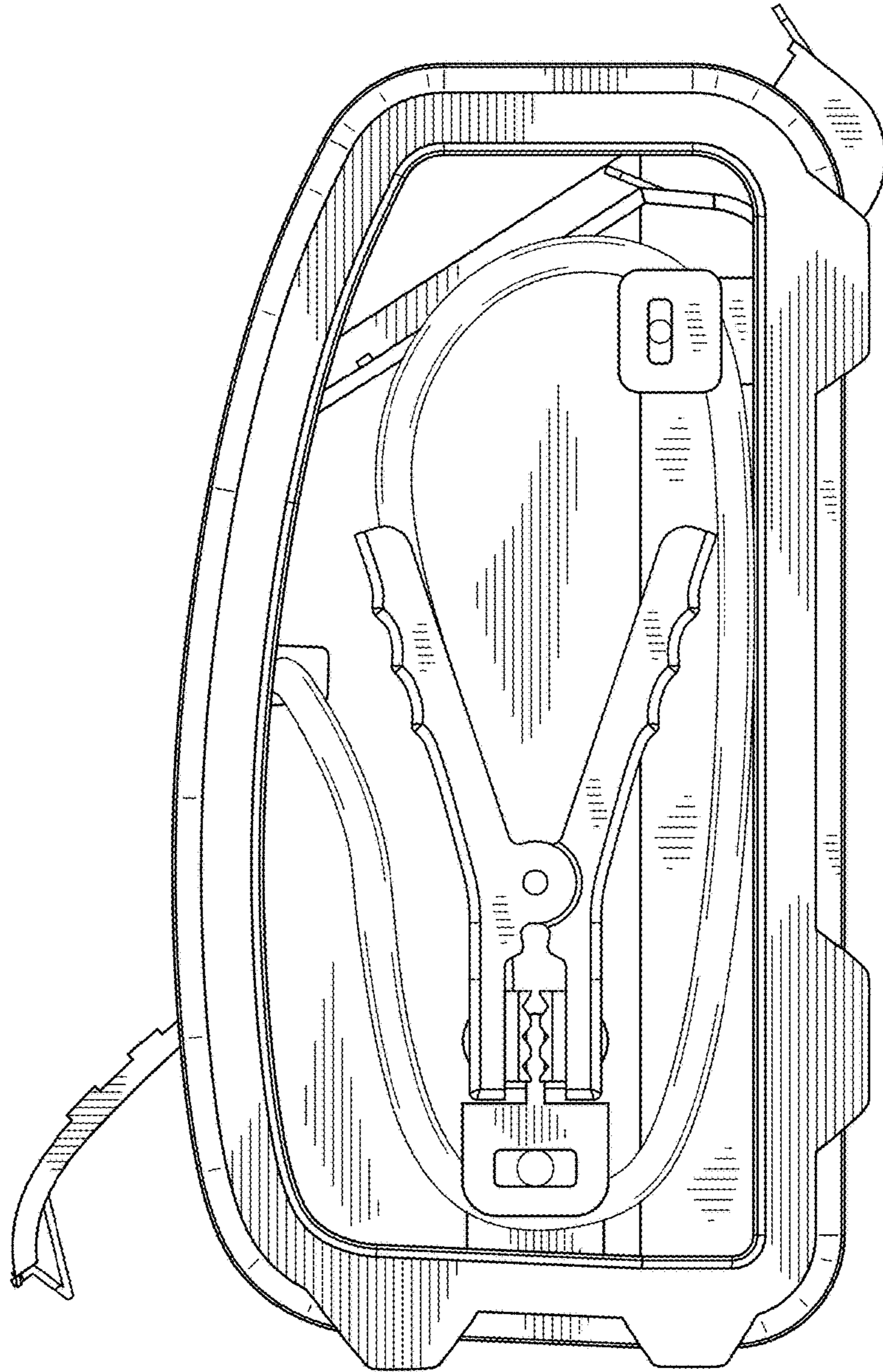


FIG. 8

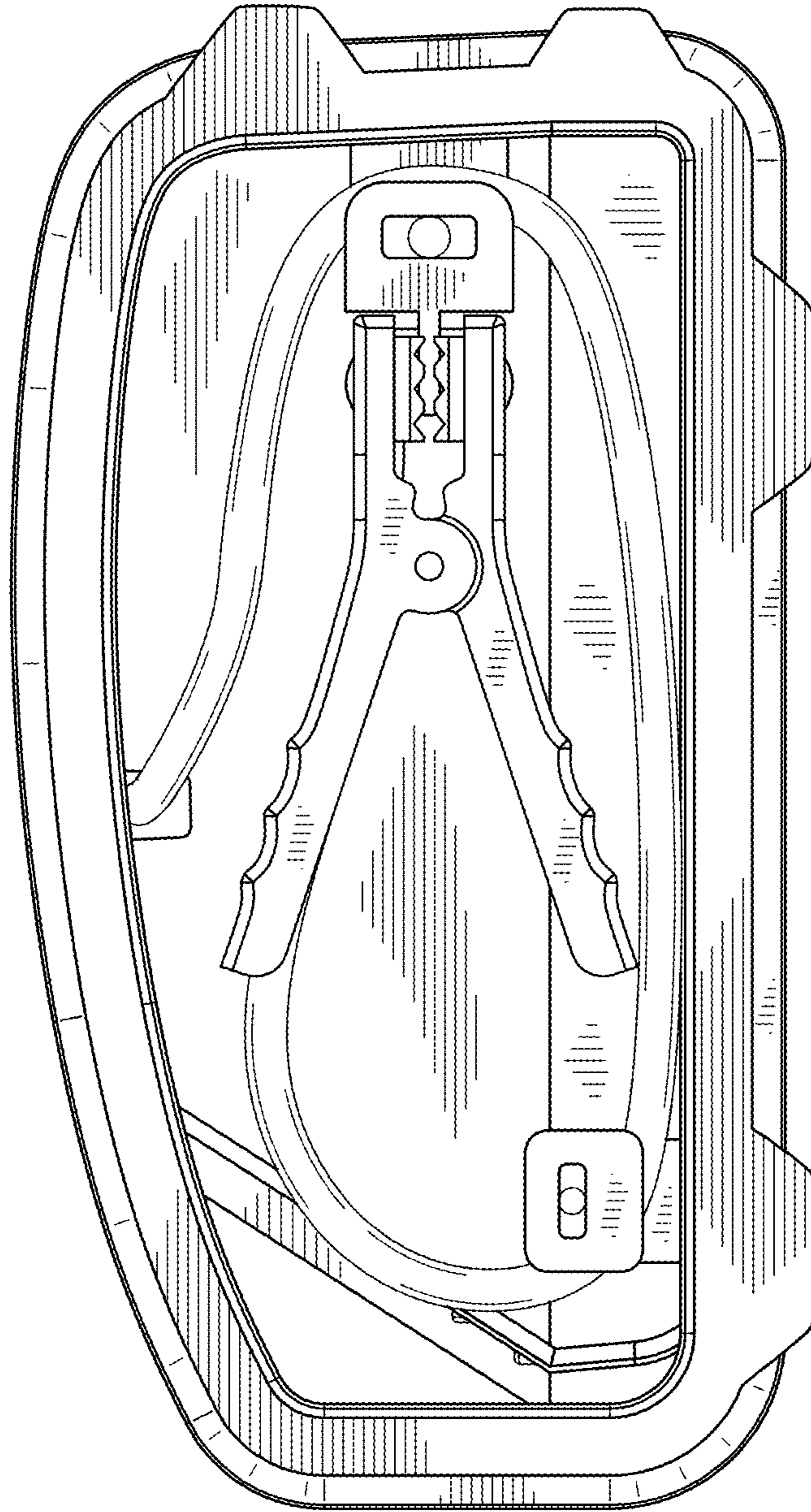


FIG. 9

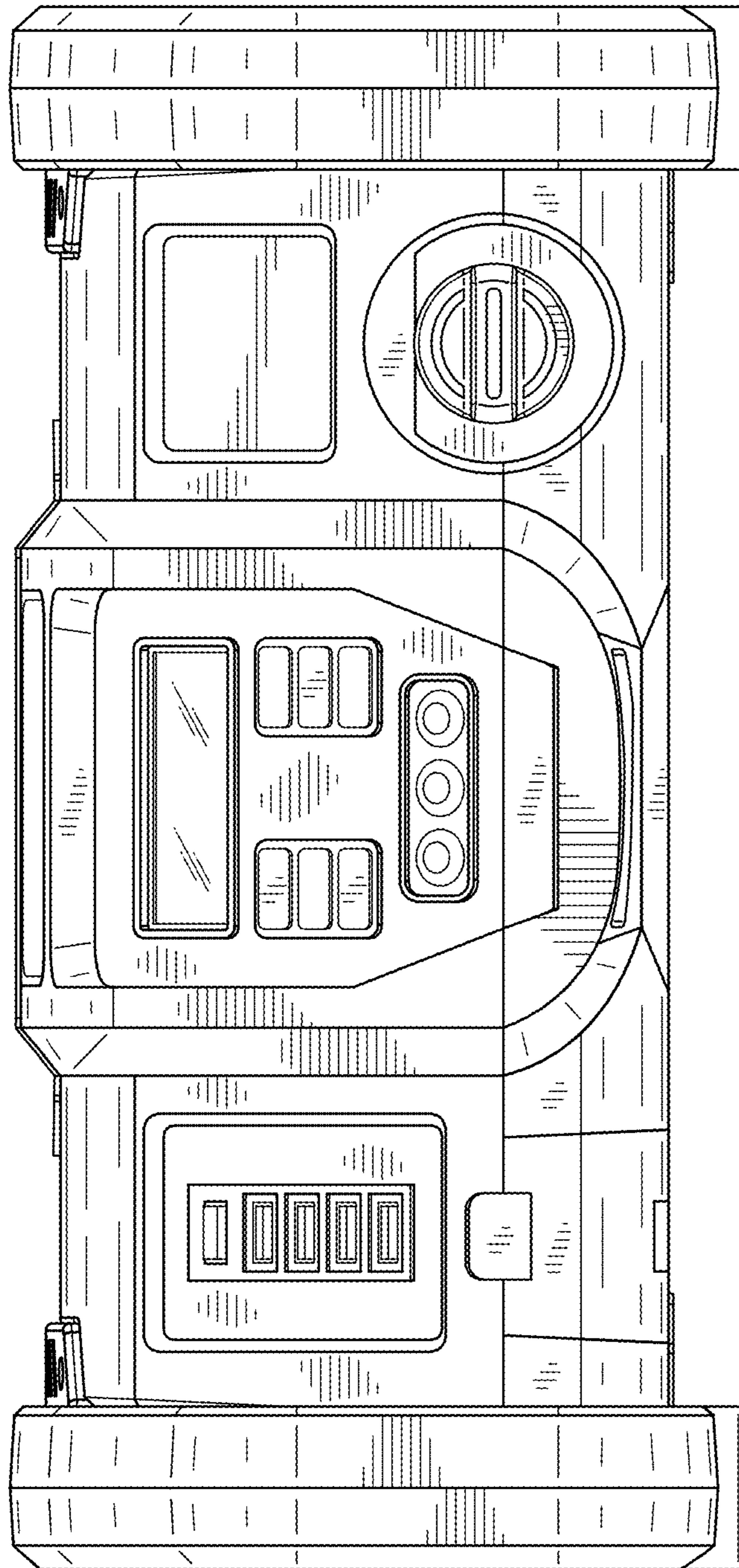


FIG. 10

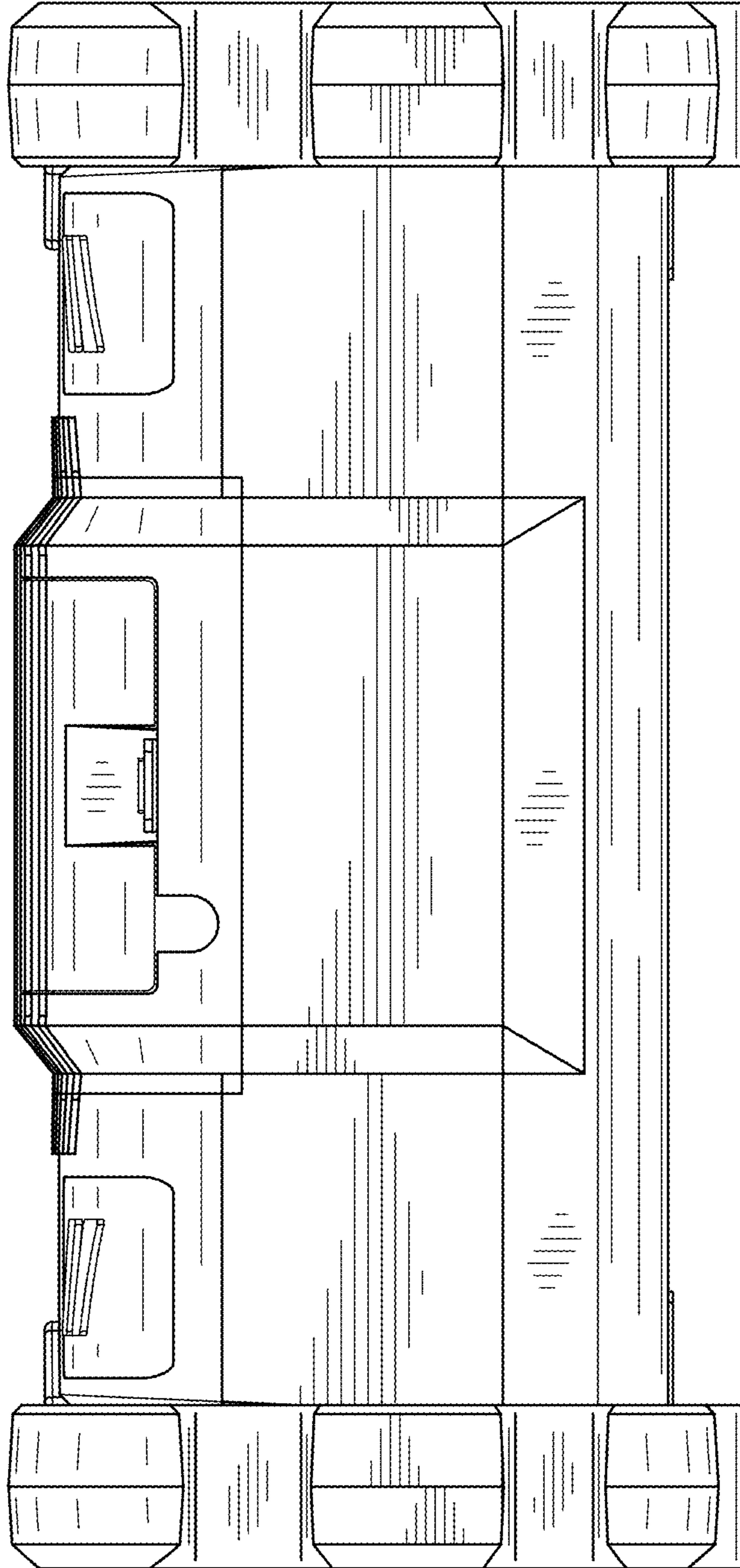


FIG. 11