



US00D793335S

(12) **United States Design Patent**  
**Ebrahimi Afrouzi et al.**

(10) **Patent No.:** **US D793,335 S**  
(45) **Date of Patent:** **\*\* Aug. 1, 2017**

(54) **CHARGING APPARATUS WITH  
EXTENDABLE CHARGING CABLE FOR A  
MOBILE ROBOTIC DEVICE**

(71) Applicants: **Ali Ebrahimi Afrouzi**, San Jose, CA  
(US); **Shahin Fathi Djalali**, San  
Francisco, CA (US)

(72) Inventors: **Ali Ebrahimi Afrouzi**, San Jose, CA  
(US); **Shahin Fathi Djalali**, San  
Francisco, CA (US)

(73) Assignee: **AI INCORPORATED**, Toronto, ON  
(CA)

(\*\*) Term: **15 Years**

(21) Appl. No.: **29/559,072**

(22) Filed: **Mar. 24, 2016**

(51) **LOC (10) Cl.** ..... **13-02**

(52) **U.S. Cl.**  
USPC ..... **D13/107**

(58) **Field of Classification Search**  
USPC ..... D13/107-110, 118-119, 184; D14/251,  
D14/253, 432, 434, 447; D32/31, 21  
CPC ..... Y02E 60/12; Y02T 90/14; Y02T 90/122;  
Y02T 90/128; Y02T 90/163; H02J 7/025;  
H02J 7/0042; H02J 7/0044; H02J 7/0045;  
H02J 7/0003; H01F 38/14; H01R  
13/6675; H01M 2/1022; H01M 2/1055;  
H01M 10/44; H01M 10/46; H01M  
10/425; B60L 11/182  
See application file for complete search history.

(56) **References Cited**

U.S. PATENT DOCUMENTS

D673,110 S \* 12/2012 Sasada ..... D13/108  
D687,772 S \* 8/2013 Chikos ..... D13/108  
D718,236 S \* 11/2014 Murray ..... D13/108

D725,034 S \* 3/2015 Chen ..... D13/108  
D735,131 S \* 7/2015 Akana ..... D13/108  
D737,760 S \* 9/2015 Kyriakoulis ..... D13/108  
D747,267 S \* 1/2016 Aumiller ..... D13/108  
D774,455 S \* 12/2016 Kim ..... D13/108  
2012/0104999 A1\* 5/2012 Teggatz ..... H01F 38/14  
320/108

\* cited by examiner

*Primary Examiner* — Rosemary K Tarcza  
*Assistant Examiner* — Christy Nemeth

(57) **CLAIM**

The ornamental design for a charging apparatus with extendable charging cable for a mobile robotic device, as shown and described.

**DESCRIPTION**

FIG. 1 is a front elevation view of a charging apparatus with extendable charging cable for a mobile robotic device, with the charging cable shown in the extended position;  
FIG. 2 is a right side elevation view thereof, with the charging cable in the extended position, the left side being a mirror image;  
FIG. 3 is a perspective view thereof, with the charging cable in the extended position;  
FIG. 4 is a rear elevation view thereof, with the charging cable in the extended position;  
FIG. 5 is a front elevation view thereof, with the charging cable in a retracted position;  
FIG. 6 is a rear elevation view thereof, with the charging cable in a retracted position;  
FIG. 7 is a perspective view thereof, with the charging cable in a retracted position;  
FIG. 8 is a right side elevation view thereof, with the charging cable in a retracted position, the left side being a mirror image;  
FIG. 9 is a top plan view thereof; and,  
FIG. 10 is a bottom plan view thereof.

**1 Claim, 10 Drawing Sheets**

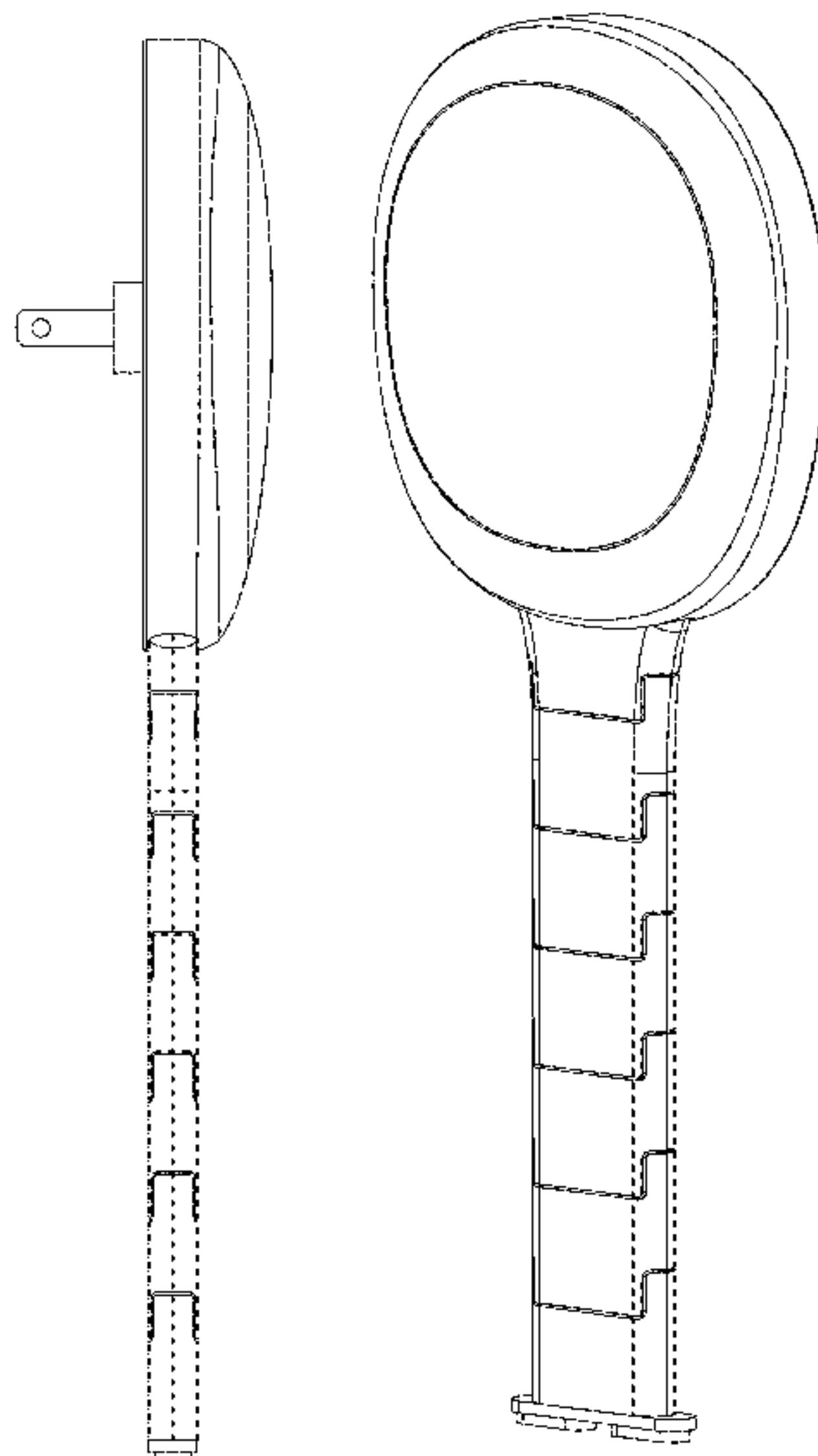


FIG. 1

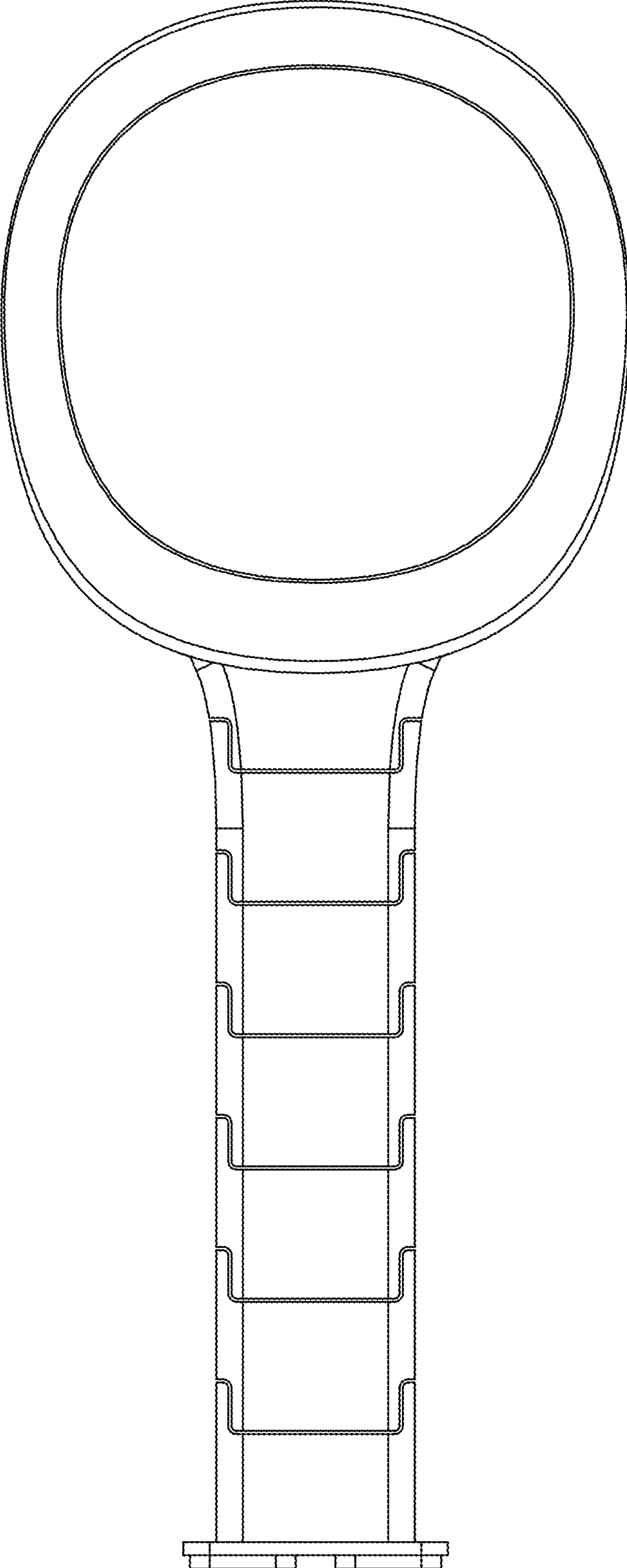


FIG. 2

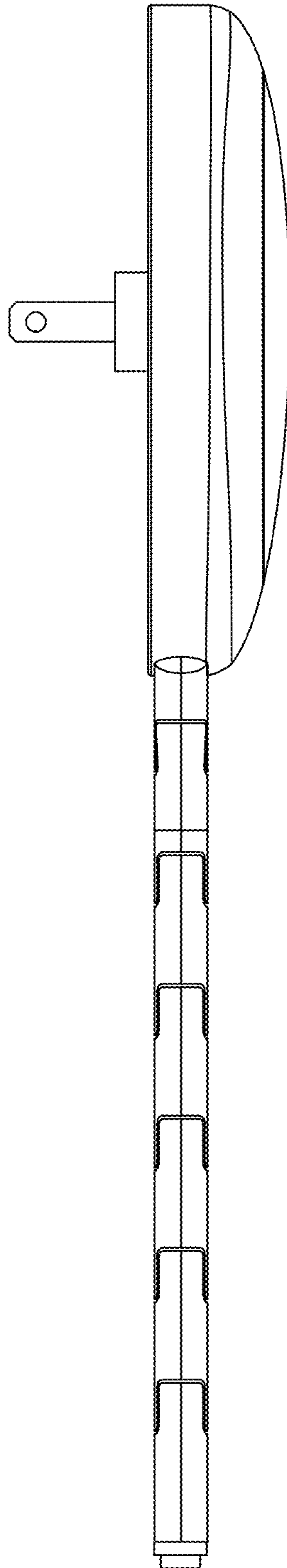


FIG. 3

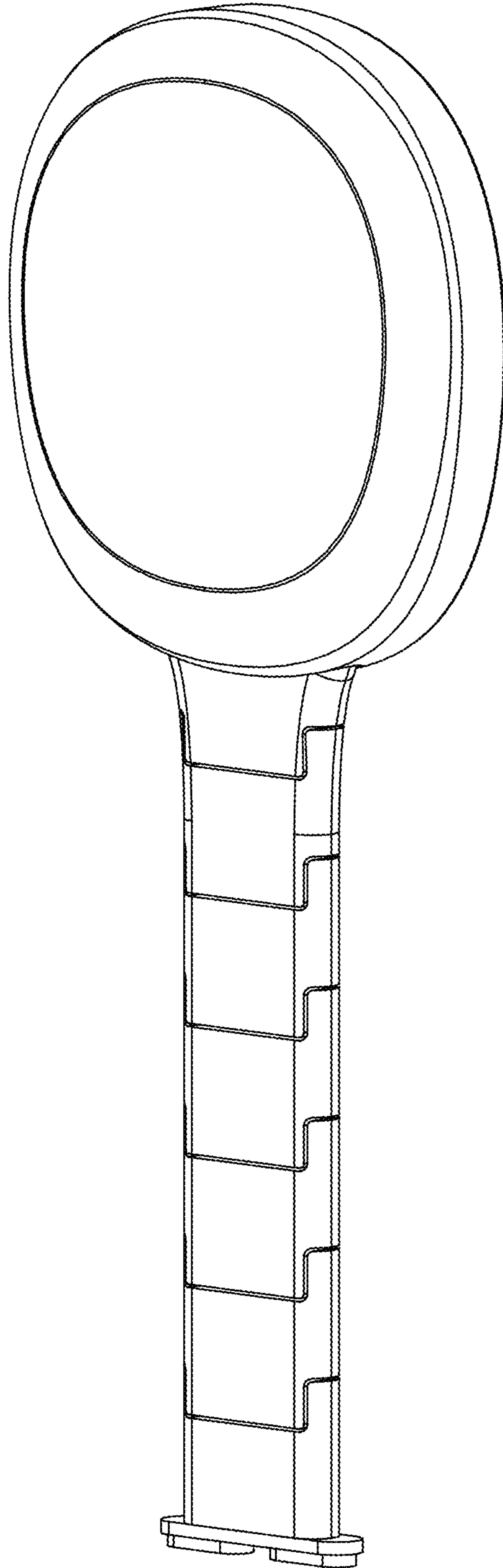


FIG. 4

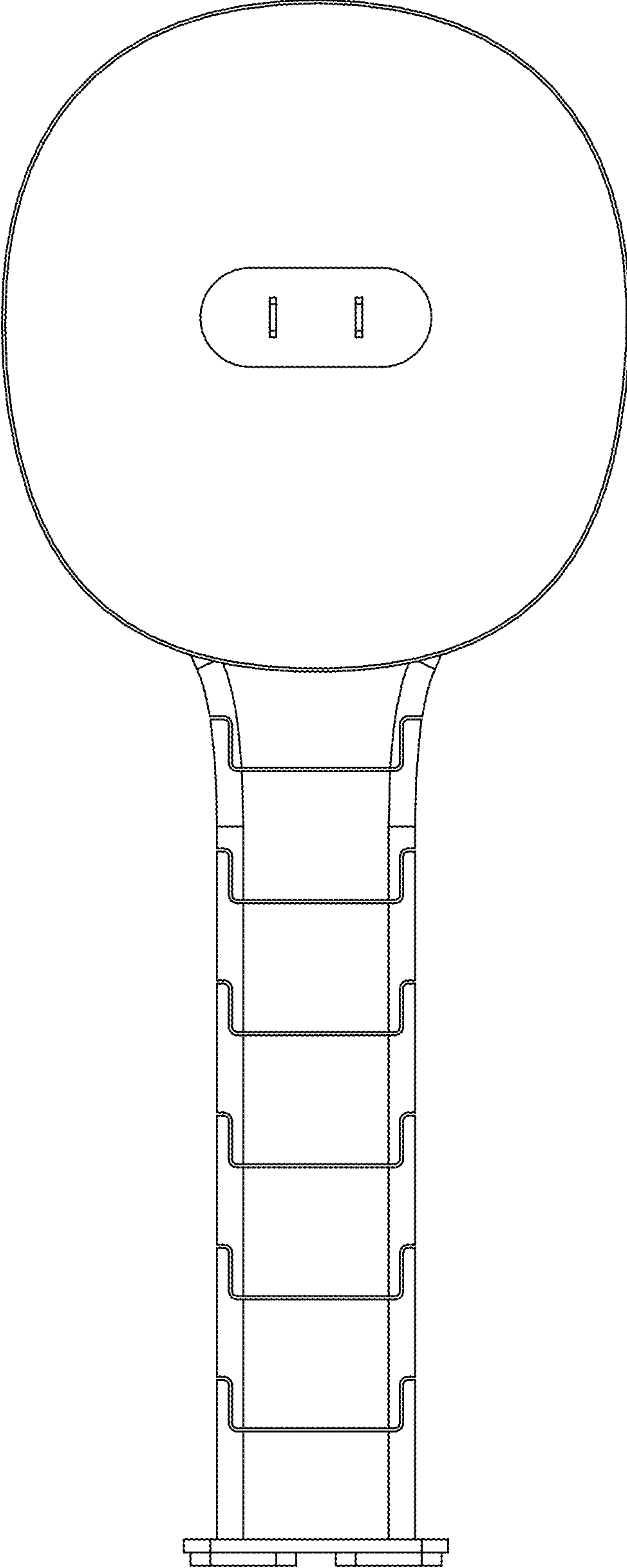


FIG. 5

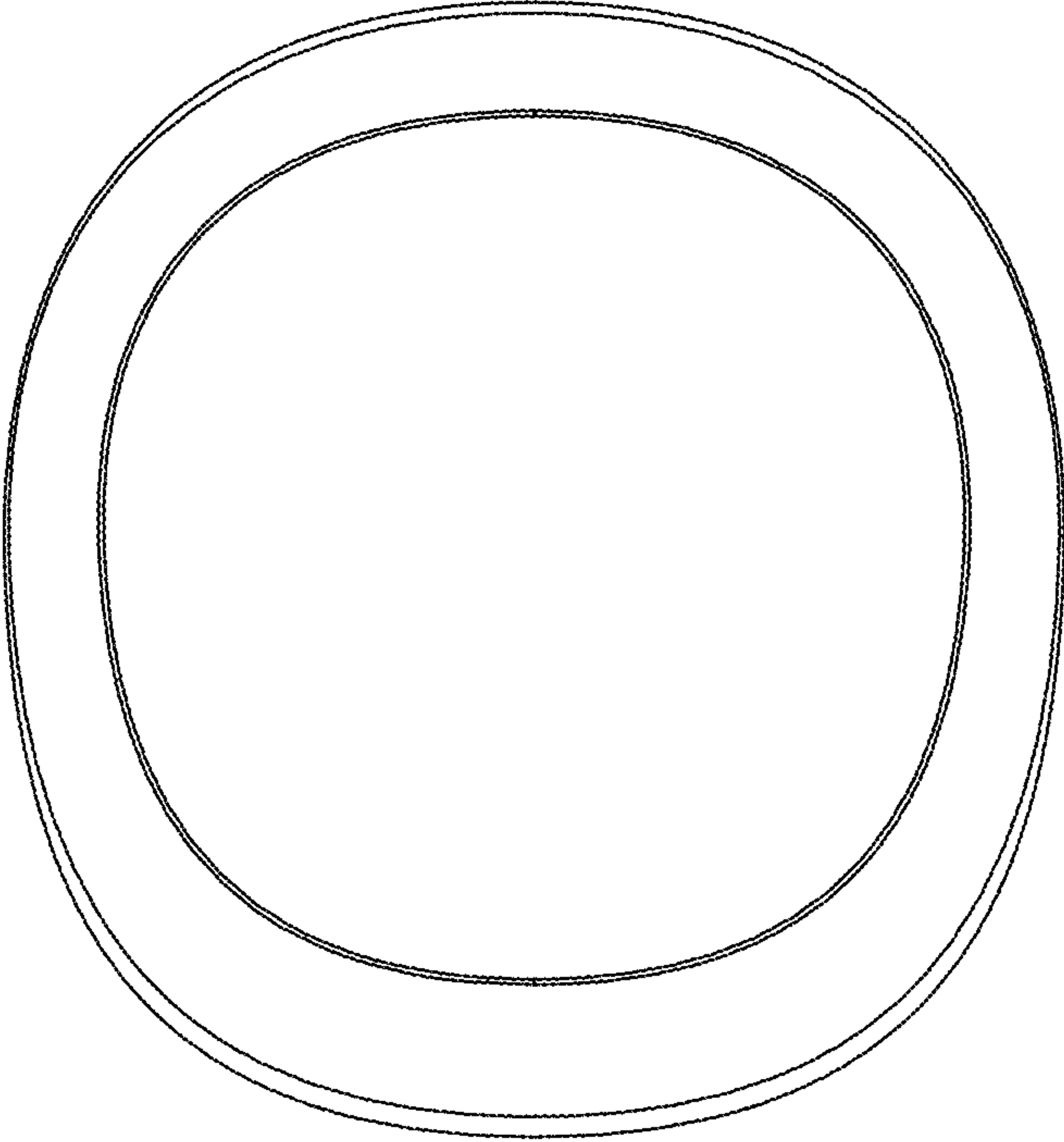


FIG. 6

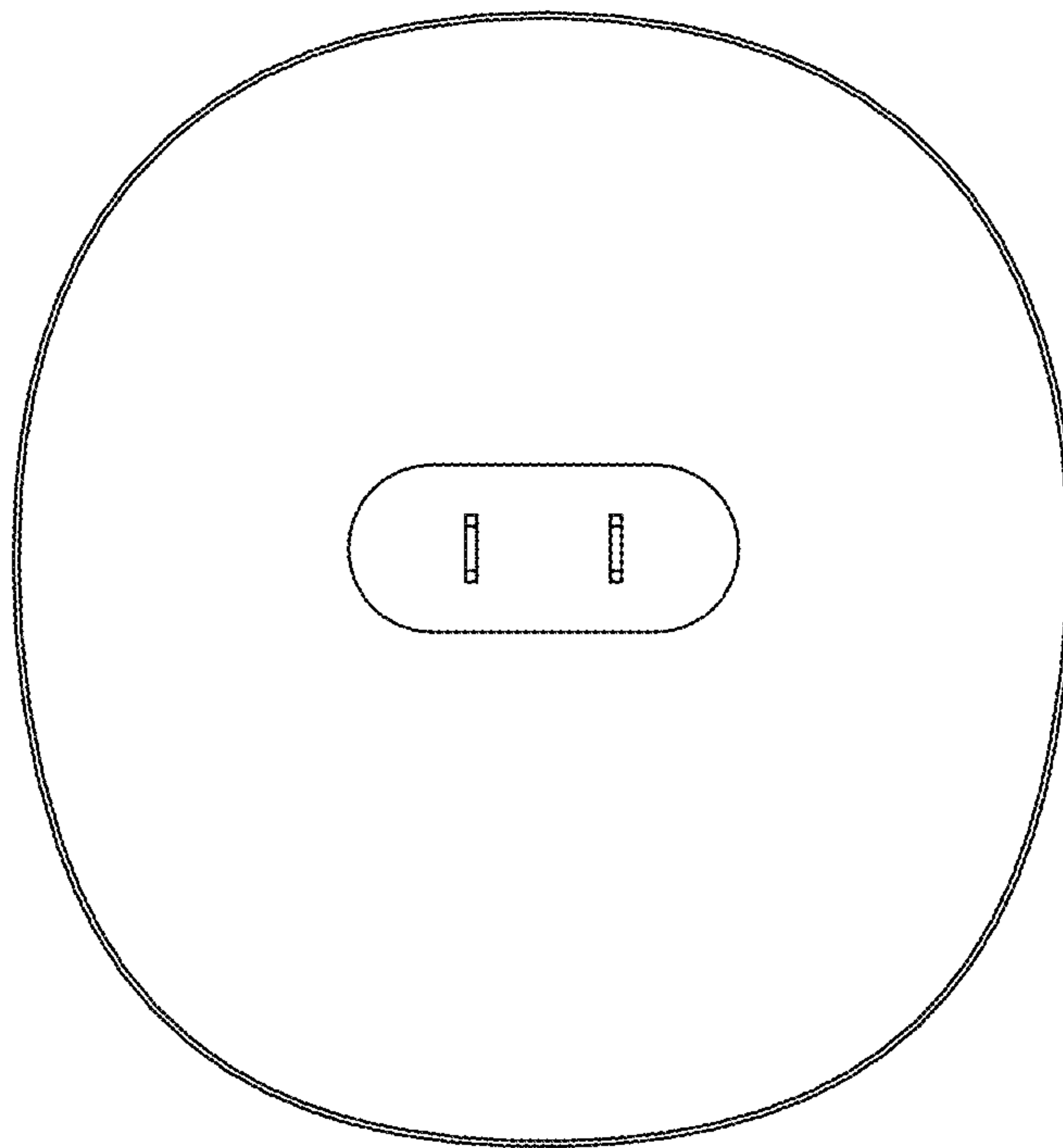




FIG. 7

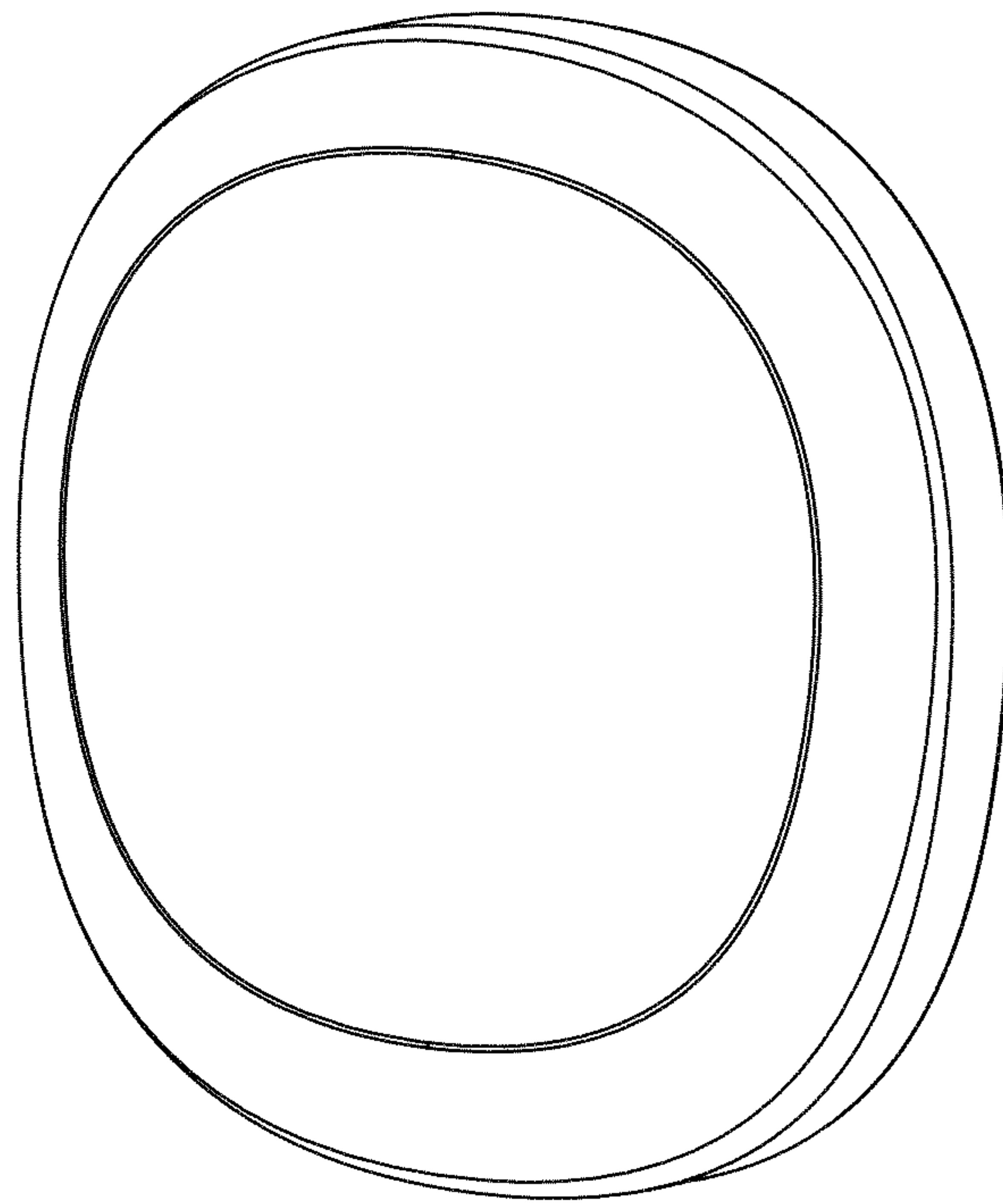




FIG. 8

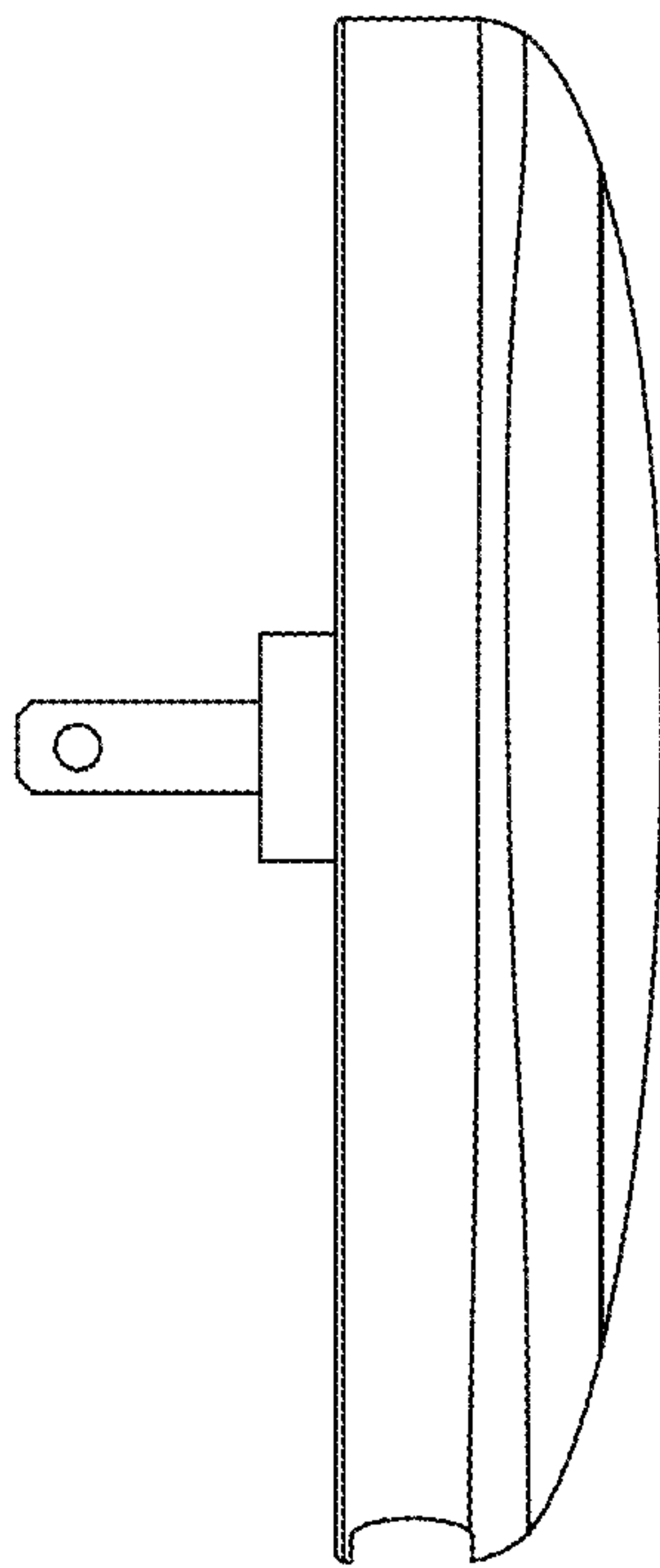


FIG. 9

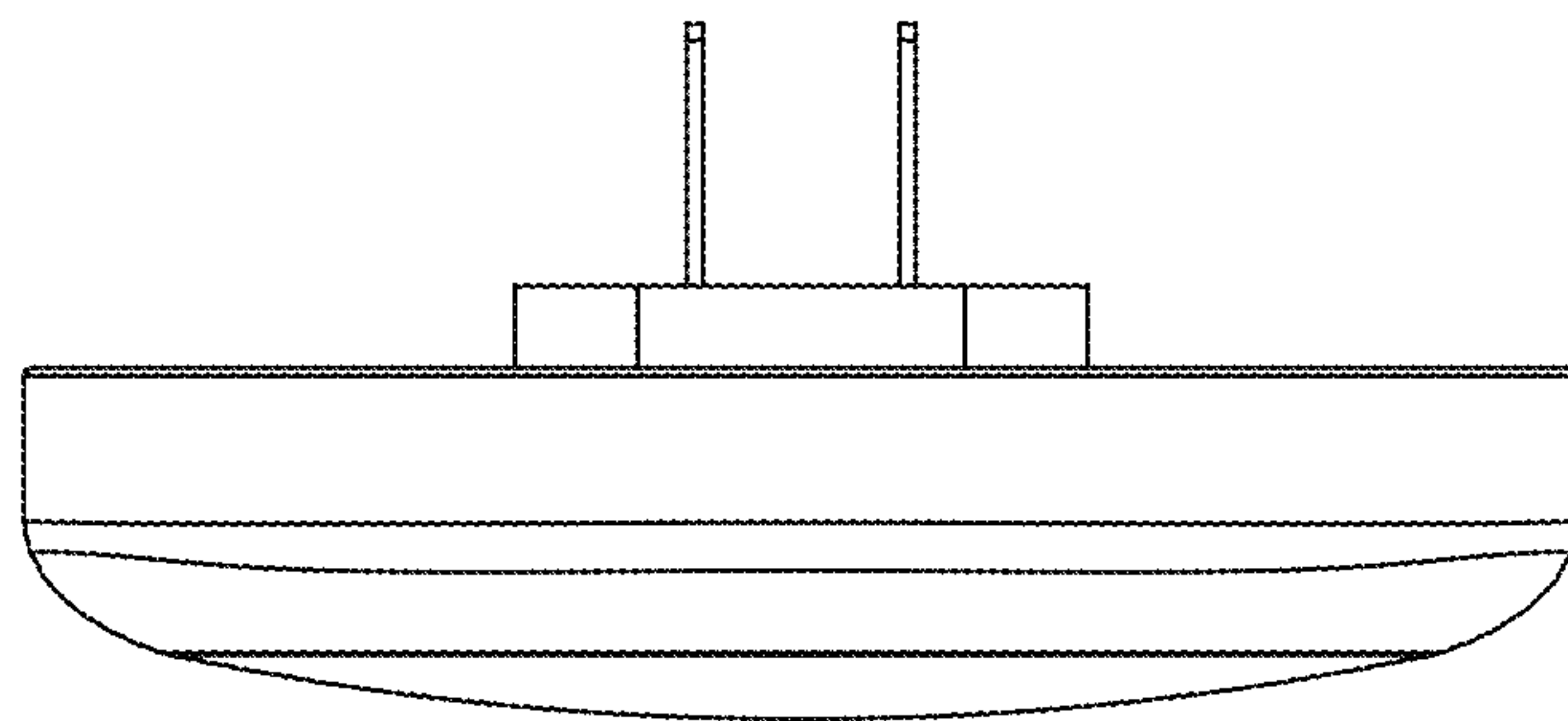


FIG. 10

