



US00D793334S

(12) **United States Design Patent** (10) **Patent No.:** **US D793,334 S**  
**Estes** (45) **Date of Patent:** **\*\* Aug. 1, 2017**

- (54) **INTEGRATED SOLAR PANEL**
- (71) Applicant: **Christopher A. Estes**, Mountain View, CA (US)
- (72) Inventor: **Christopher A. Estes**, Mountain View, CA (US)
- (73) Assignee: **Solpad, Inc.**, Mountain View, CA (US)
- (\*\*) Term: **14 Years**
- (21) Appl. No.: **29/498,088**
- (22) Filed: **Jul. 31, 2014**
- (51) **LOC (10) Cl.** ..... **13-02**
- (52) **U.S. Cl.**  
USPC ..... **D13/102**
- (58) **Field of Classification Search**  
USPC ..... D13/102, 101, 103, 107, 108, 199;  
126/569, 624, 704, 710, 711;  
136/243-265; 320/101, 116, 120  
CPC .... H01L 31/00; H01L 31/042; H01L 31/045;  
H01L 31/048; H01L 31/052; H01L  
31/0475; H01L 31/0485; H01M 10/052;  
H01M 10/465; H02S 30/10; H02S 30/20;  
Y02E 10/50; Y02E 10/52; Y10S 136/291;  
Y10S 136/293; H02J 7/355  
See application file for complete search history.

- (56) **References Cited**  
U.S. PATENT DOCUMENTS  
4,786,851 A \* 11/1988 Fuji ..... H02J 7/355  
136/258  
5,522,943 A \* 6/1996 Spencer ..... H01L 31/042  
136/245  
D391,921 S \* 3/1998 Zimmer ..... D13/102  
5,898,932 A \* 4/1999 Zurlo ..... H02J 7/355  
320/101

(Continued)

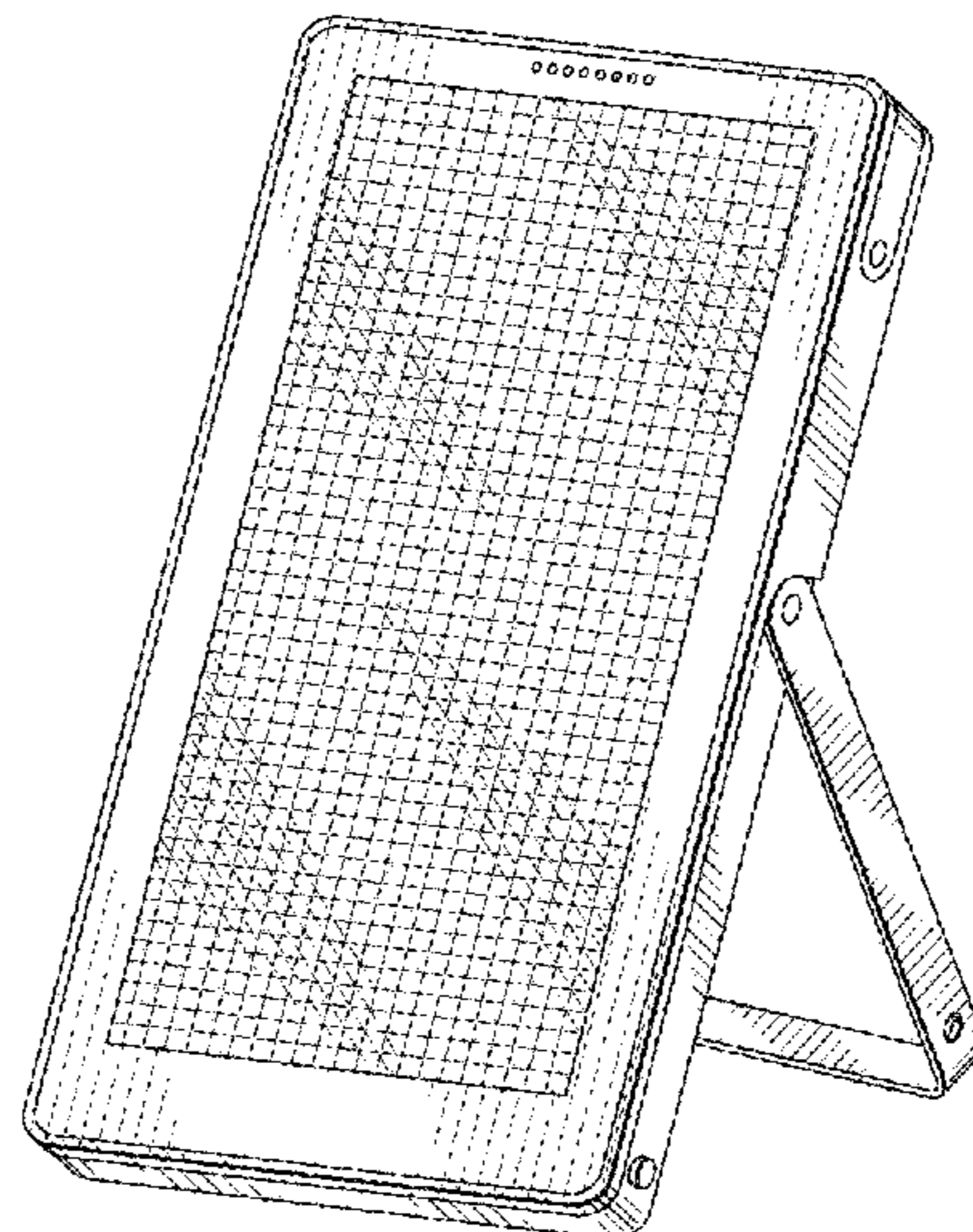
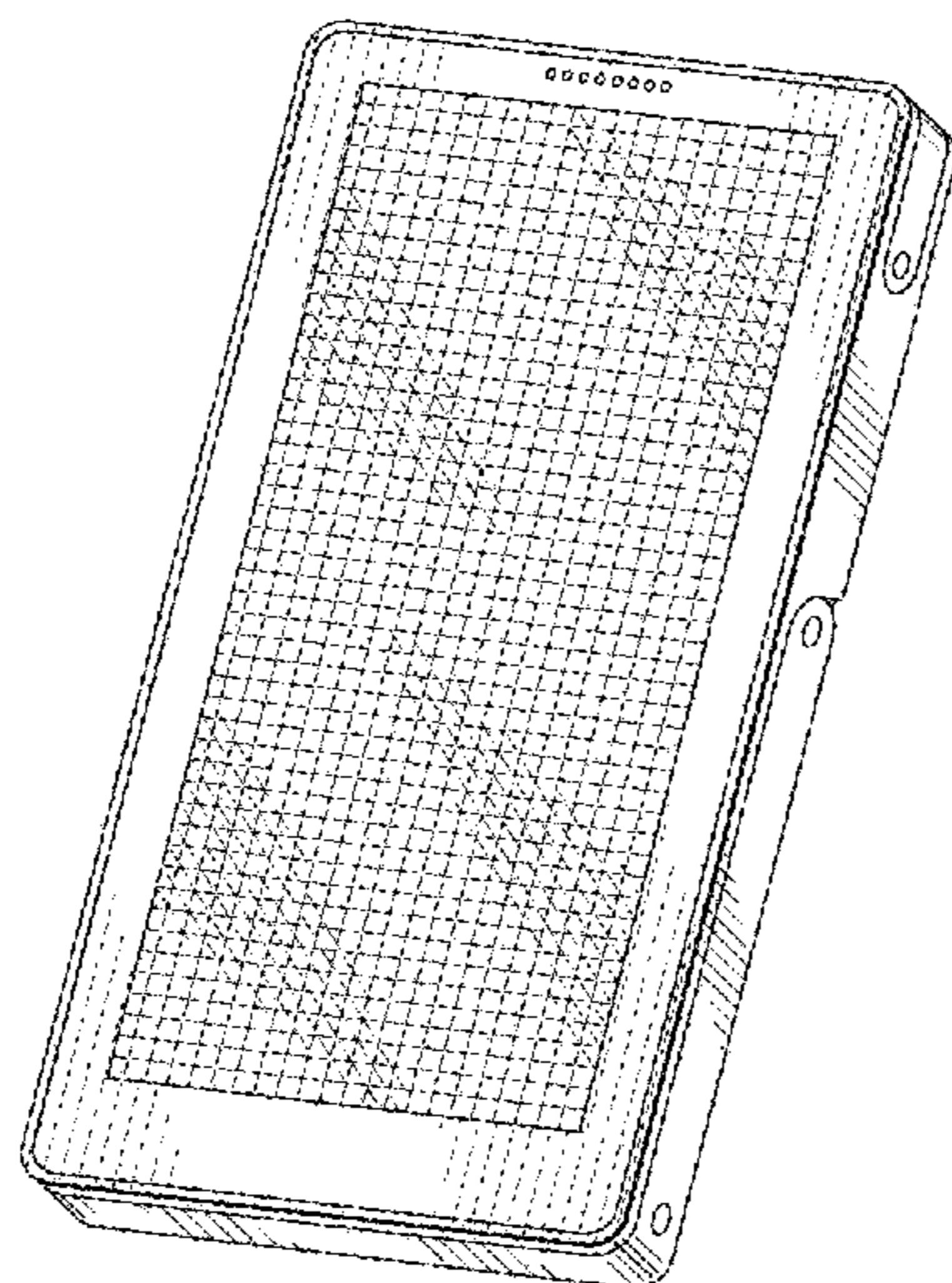
*Primary Examiner* — Derrick Holland  
(74) *Attorney, Agent, or Firm* — Wood Herron & Evans LLP

(57) **CLAIM**  
The ornamental design for an integrated solar panel, as shown and described.

**DESCRIPTION**

FIG. 1 is a perspective view of a first embodiment of an integrated solar panel showing my new design;  
 FIG. 2 is a front view thereof;  
 FIG. 3 is a rear view thereof;  
 FIG. 4 is a top view thereof;  
 FIG. 5 is a right side view thereof;  
 FIG. 6 is a left side view thereof;  
 FIG. 7 is a bottom view thereof;  
 FIG. 8 is a perspective view thereof, with the stand deployed;  
 FIG. 9 is a front view thereof;  
 FIG. 10 is a rear view thereof;  
 FIG. 11 is a top plan view thereof;  
 FIG. 12 is a right side view thereof;  
 FIG. 13 is a left side view thereof;  
 FIG. 14 is a bottom view thereof;  
 FIG. 15 is a perspective view thereof, with the handle in an extended position;  
 FIG. 16 is a front view thereof;  
 FIG. 17 is a rear view thereof;  
 FIG. 18 is a top view thereof;  
 FIG. 19 is a right side view thereof;  
 FIG. 20 is a left side view thereof;  
 FIG. 21 is a bottom view thereof;  
 FIG. 22 is a perspective view of a second embodiment of an integrated solar panel showing my new design;  
 FIG. 23 is a front view thereof;  
 FIG. 24 is a rear view thereof;  
 FIG. 25 is a perspective view of a third embodiment of an integrated solar panel showing my new design;  
 FIG. 26 is a front view thereof; and,  
 FIG. 27 is a rear view thereof.

**1 Claim, 19 Drawing Sheets**



(56)

**References Cited**

U.S. PATENT DOCUMENTS

D489,680	S	*	5/2004	Stobart	.....	D13/102
D535,613	S	*	1/2007	Varalo	.....	D13/108
D586,736	S	*	2/2009	Fowler	.....	D13/102
D628,148	S	*	11/2010	English	.....	D13/102
D630,162	S	*	1/2011	Bullen	.....	D13/102
D686,979	S	*	7/2013	Chilton	.....	D13/102
2010/0109599	A1	*	5/2010	Lin	.....	H02J 7/355 320/101

\* cited by examiner

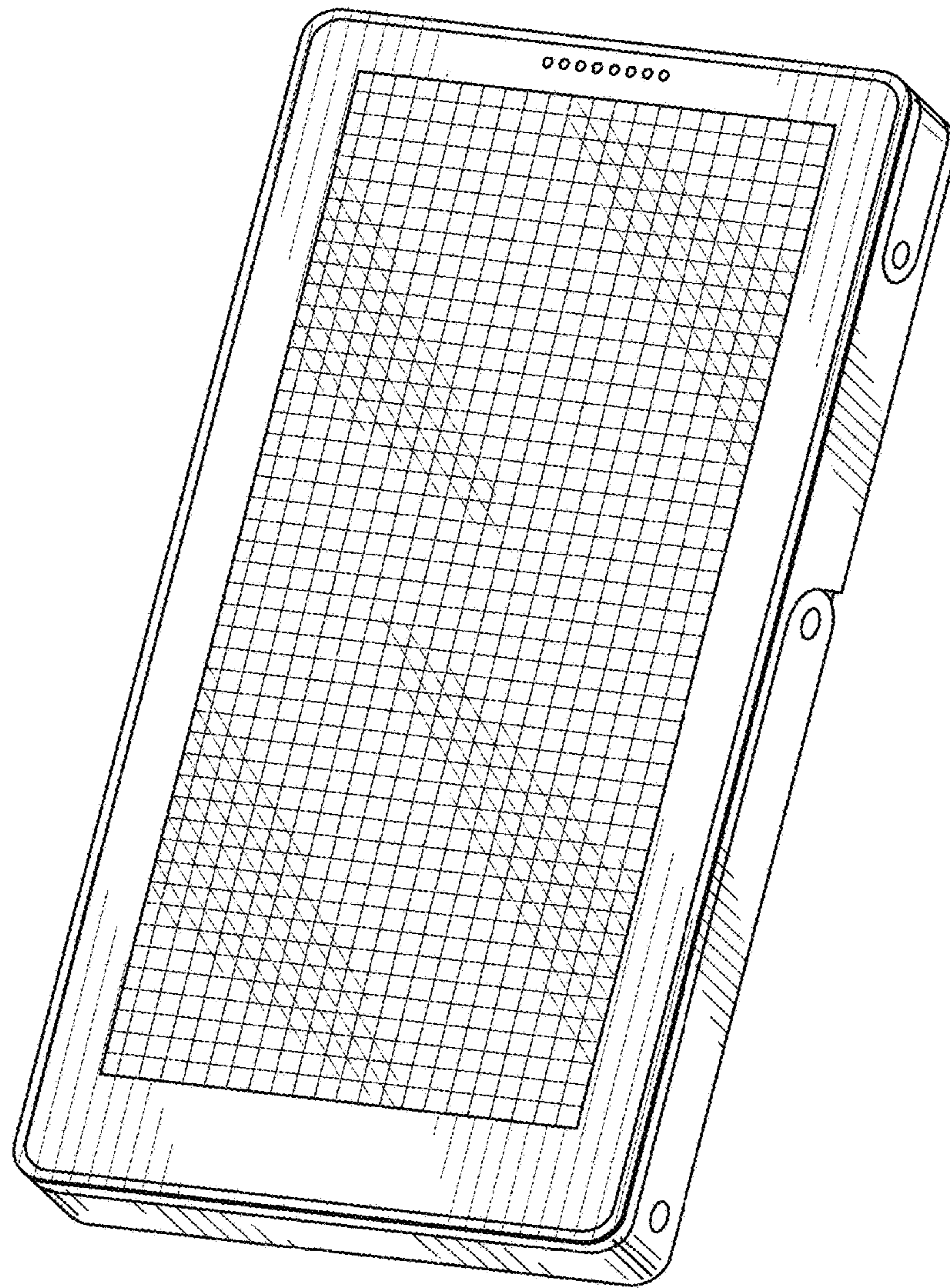


FIG. 1

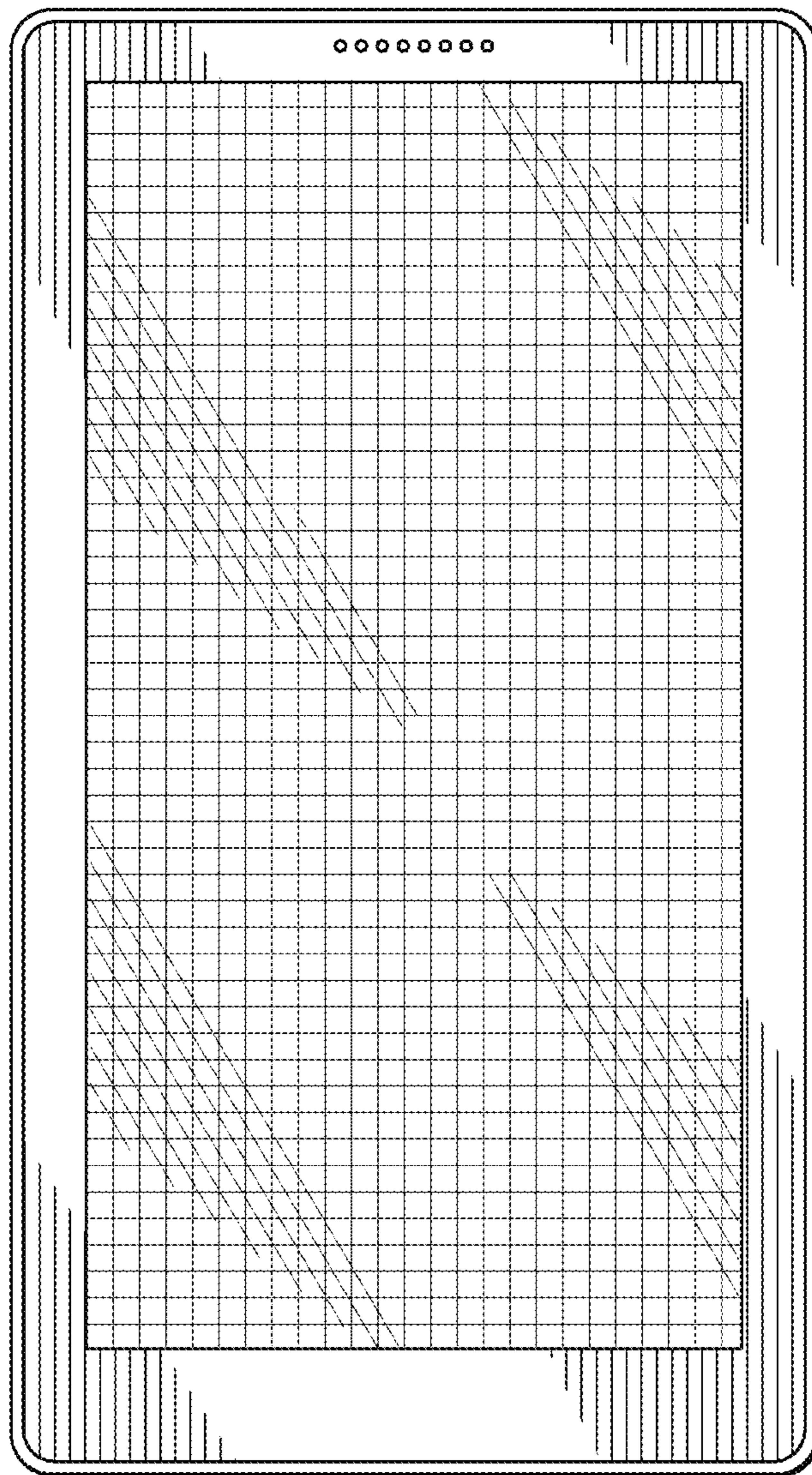


FIG. 2

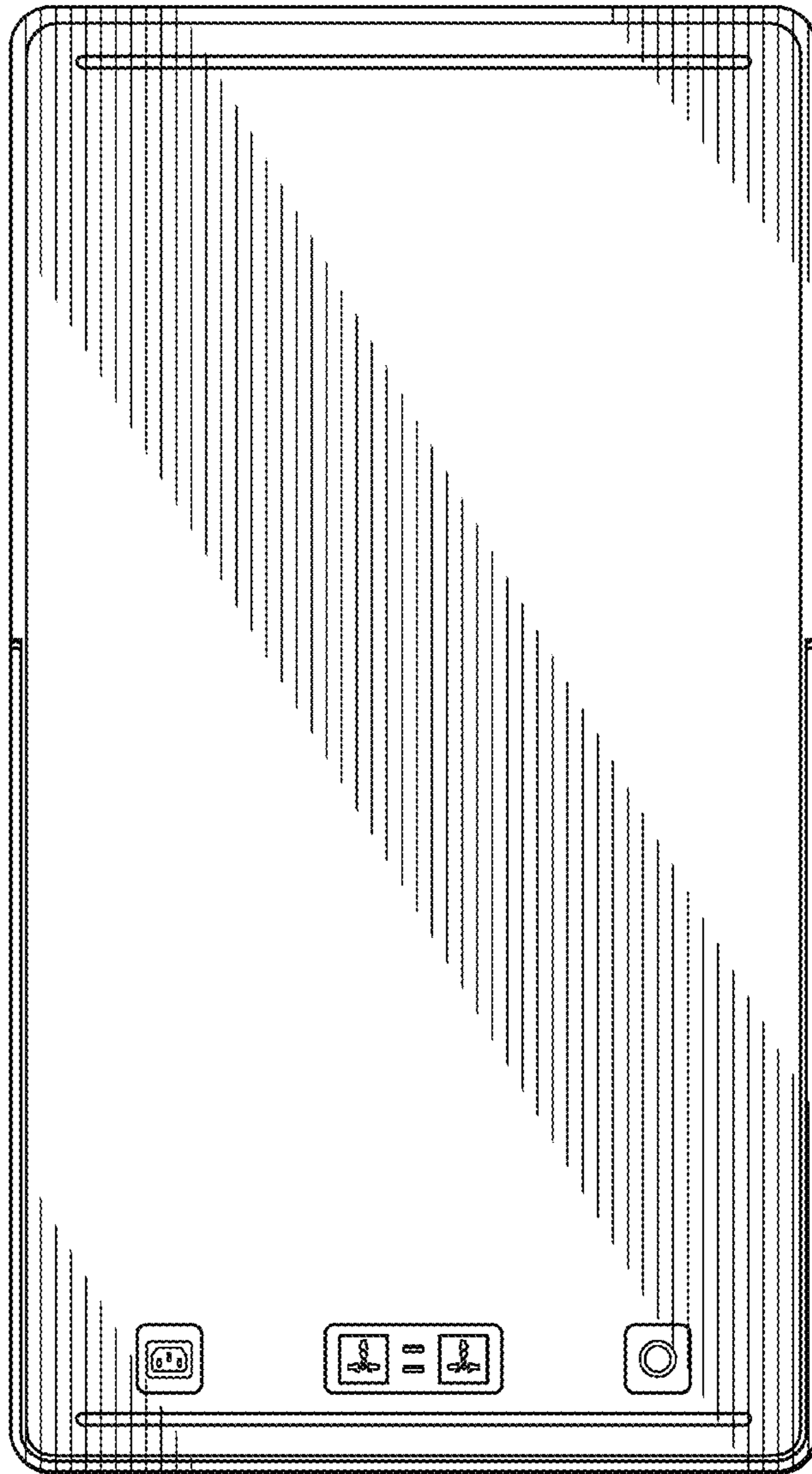


FIG. 3



FIG. 4



FIG. 5



FIG. 6



FIG. 7

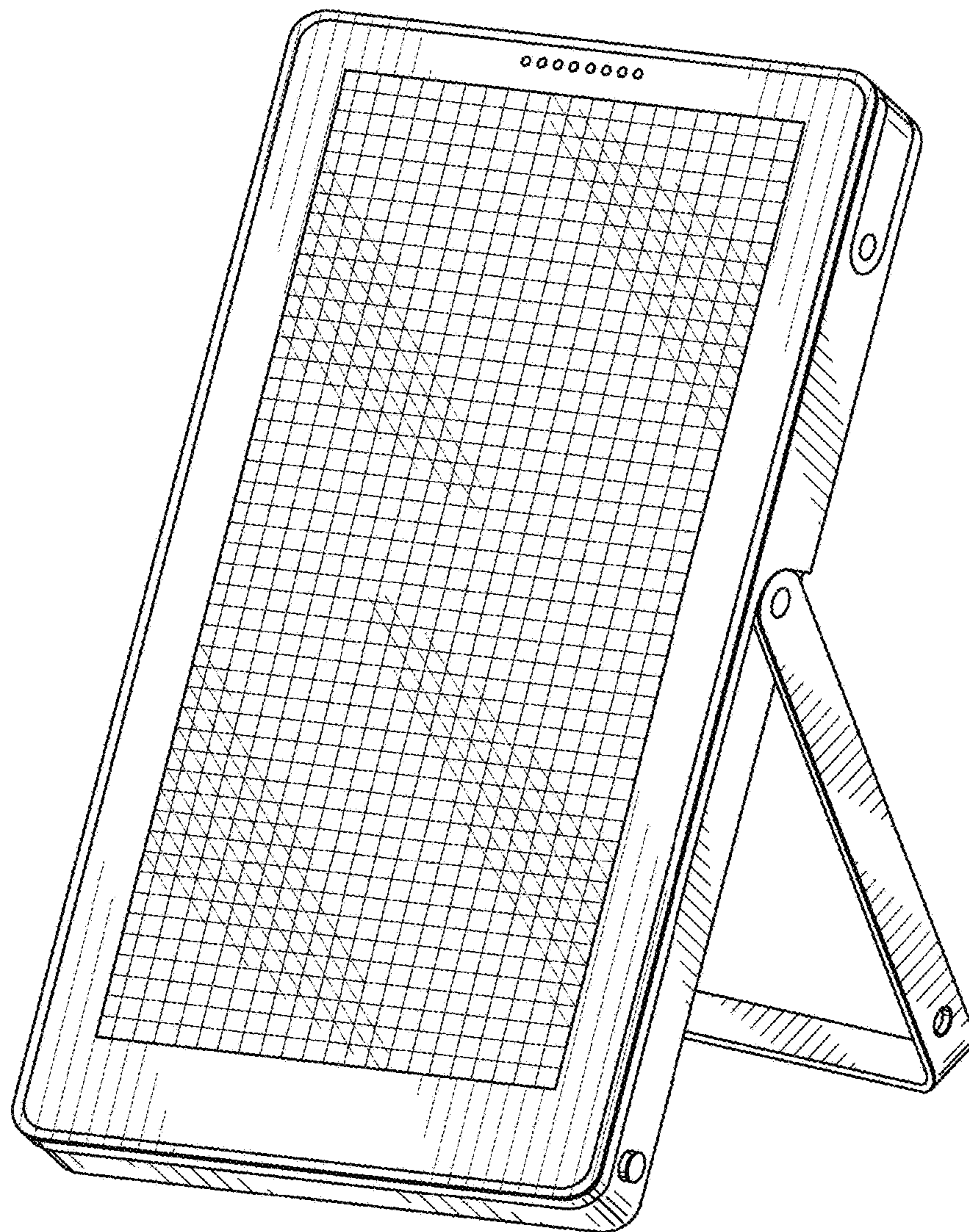


FIG. 8

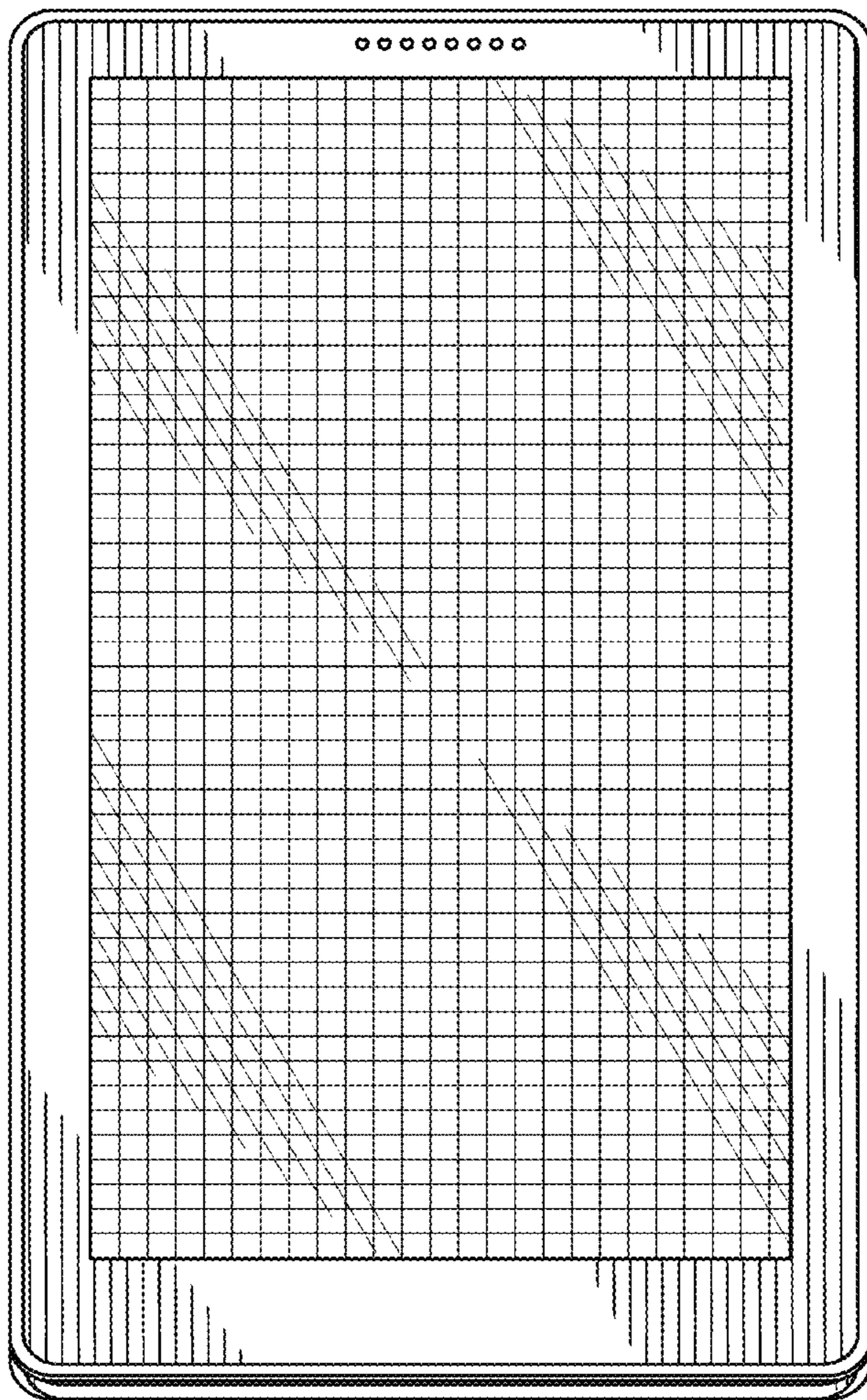


FIG. 9



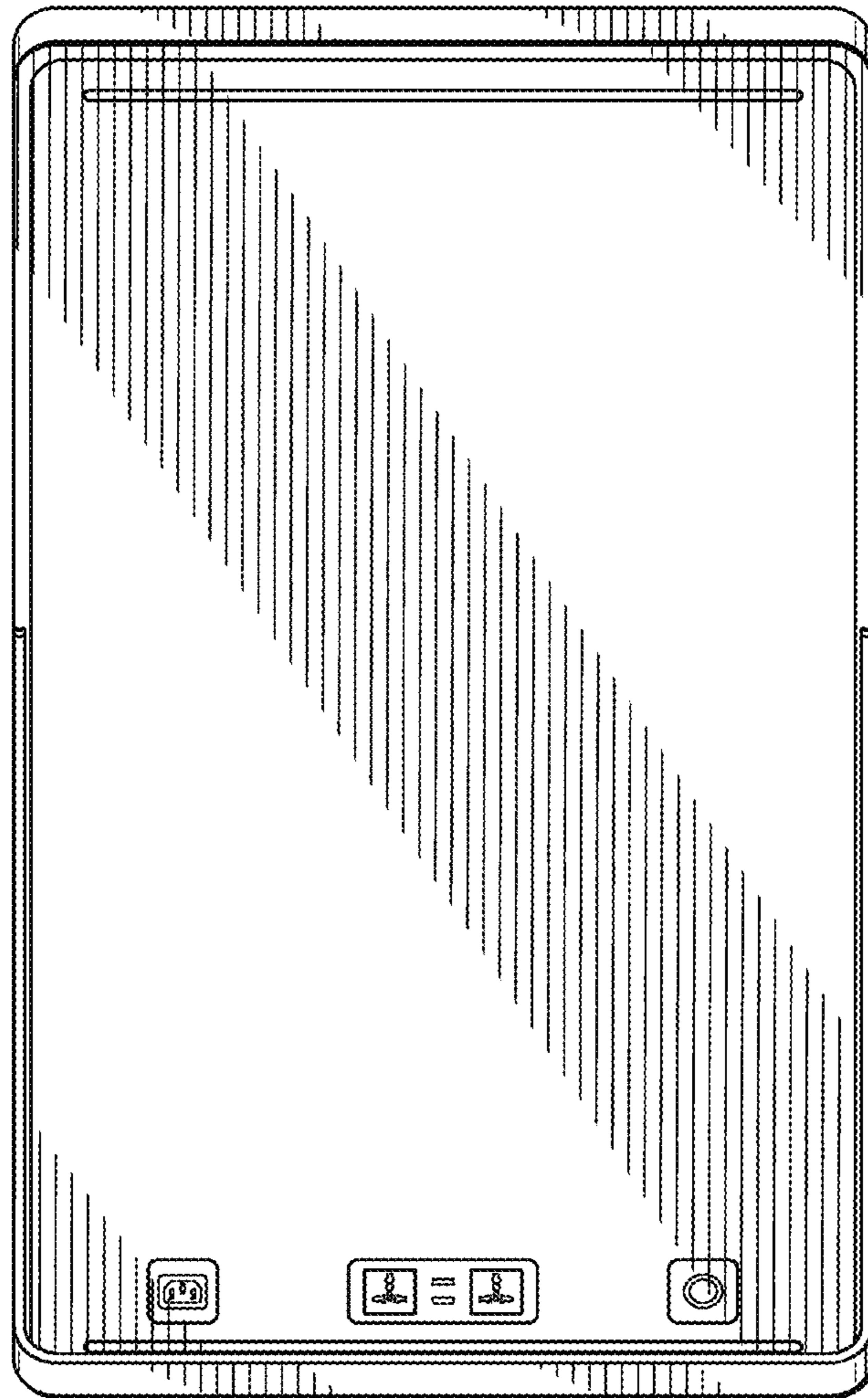


FIG. 10

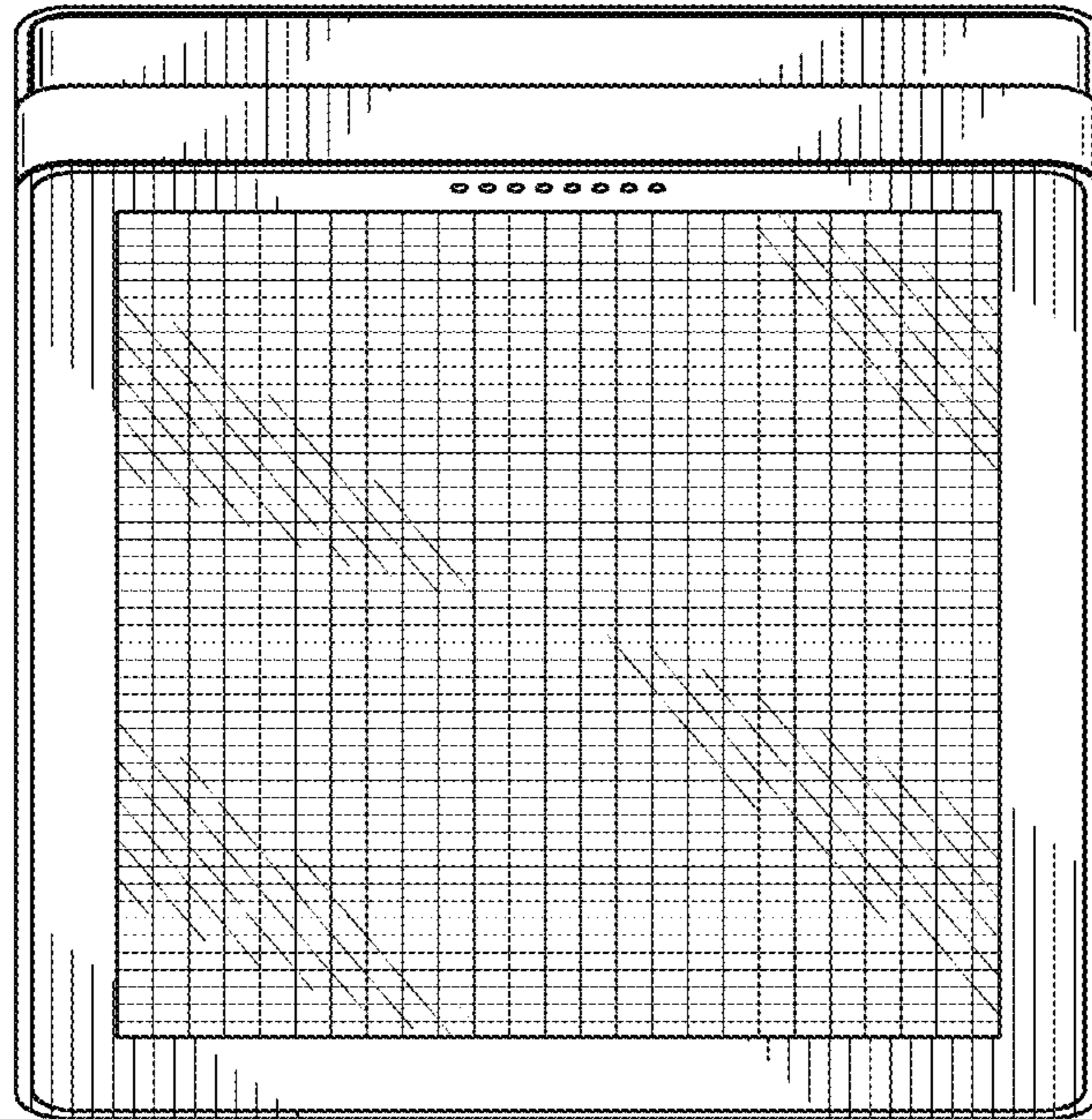


FIG. 11

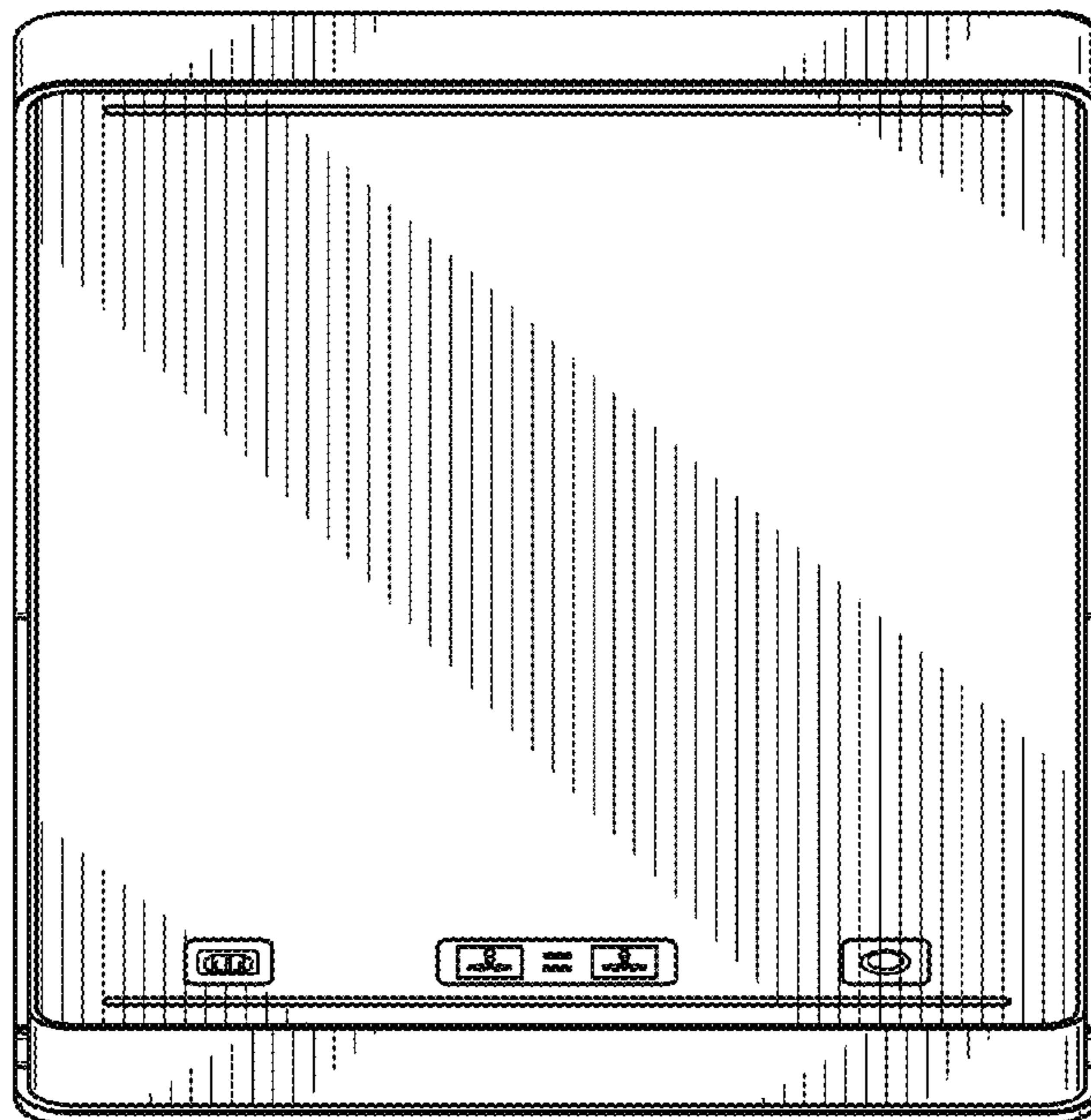


FIG. 14

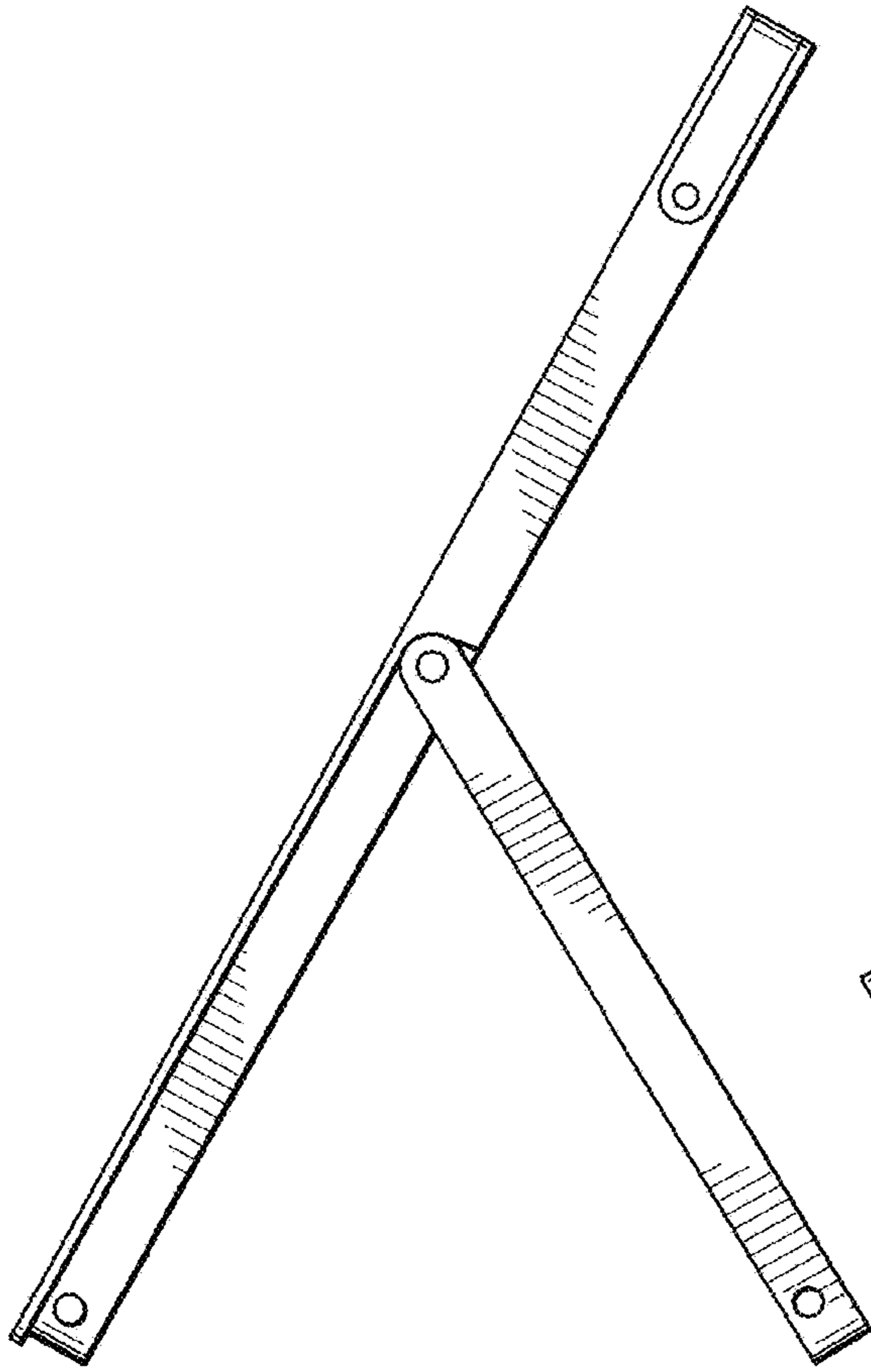


FIG. 12

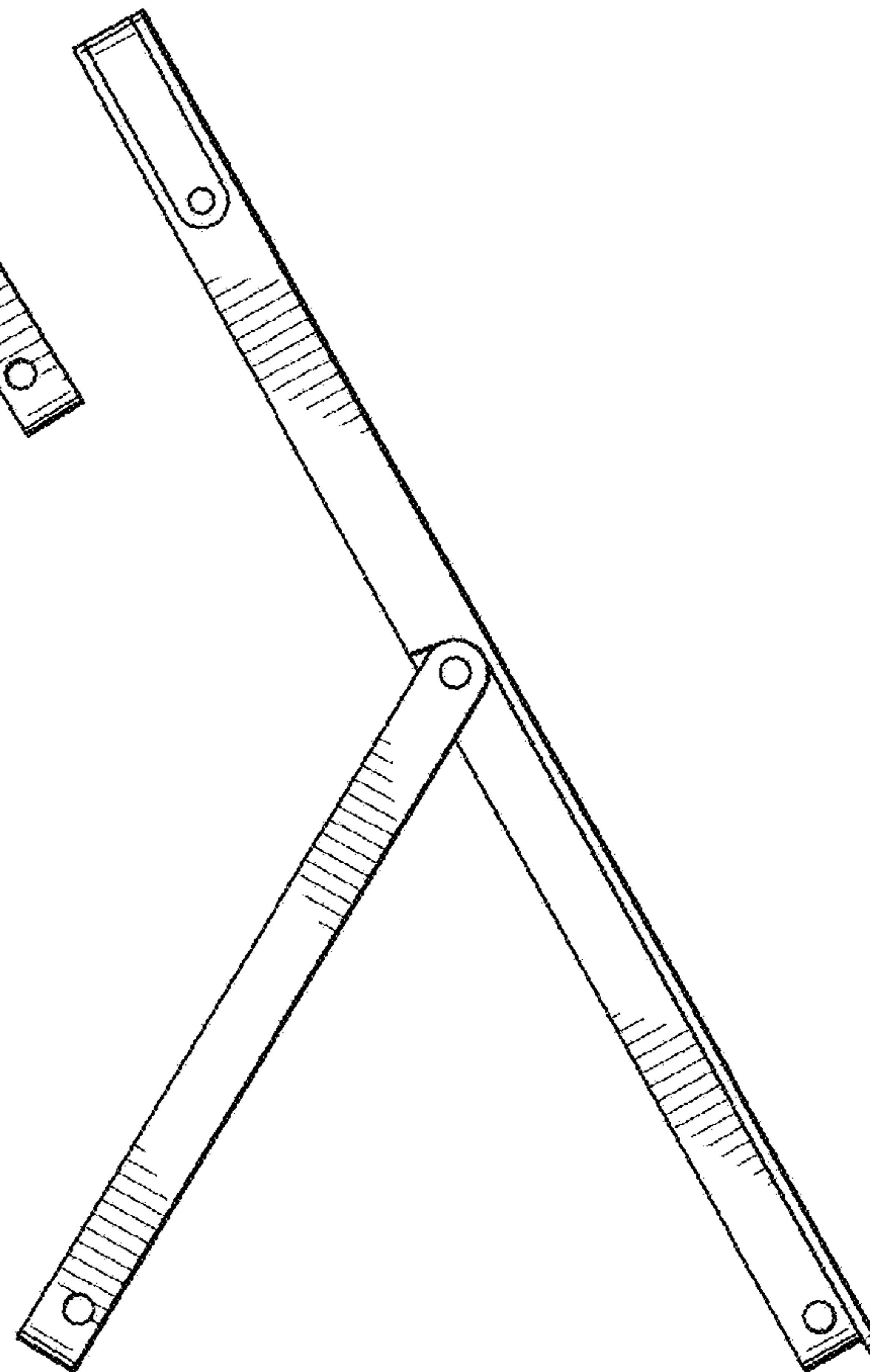


FIG. 13

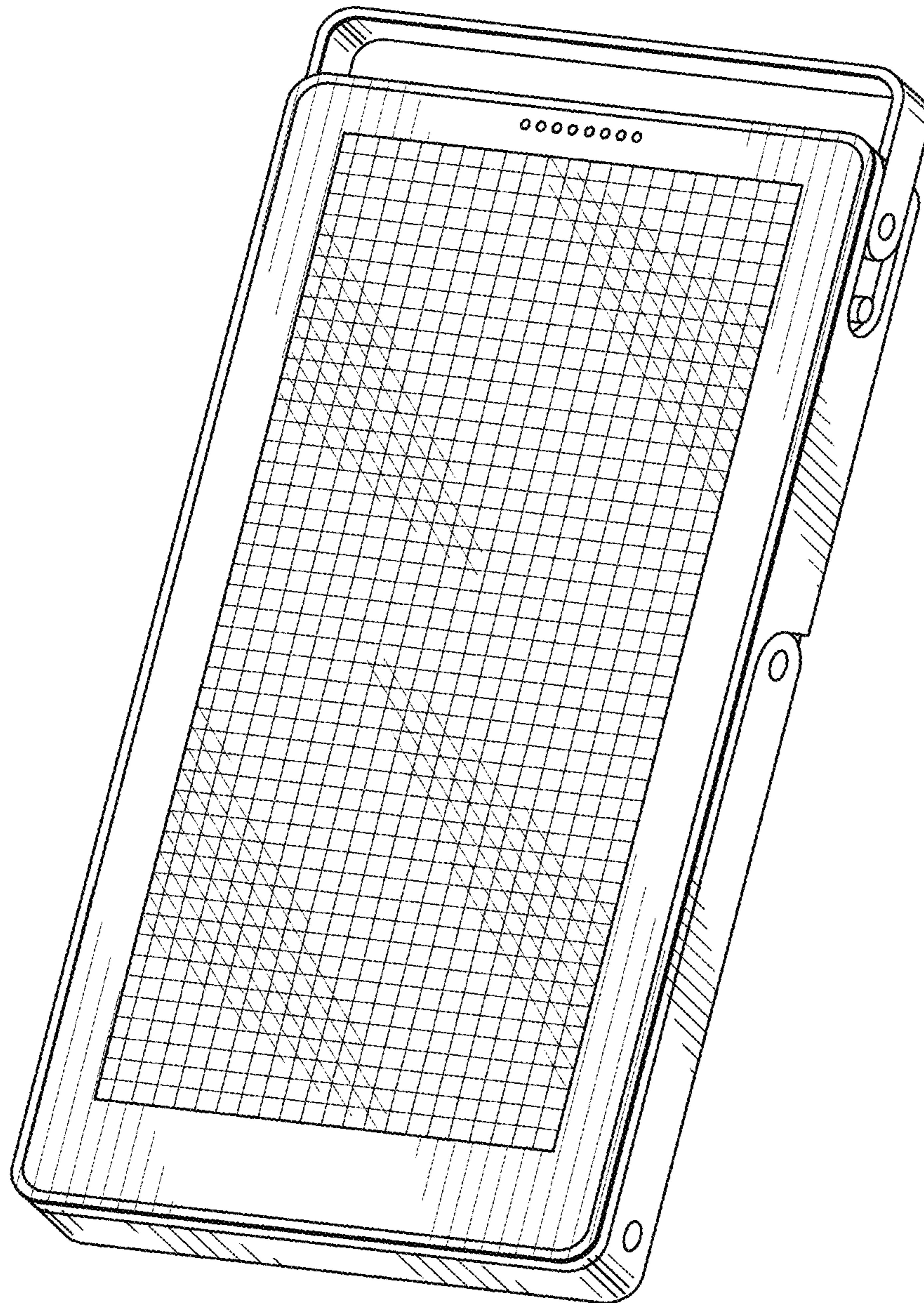


FIG. 15

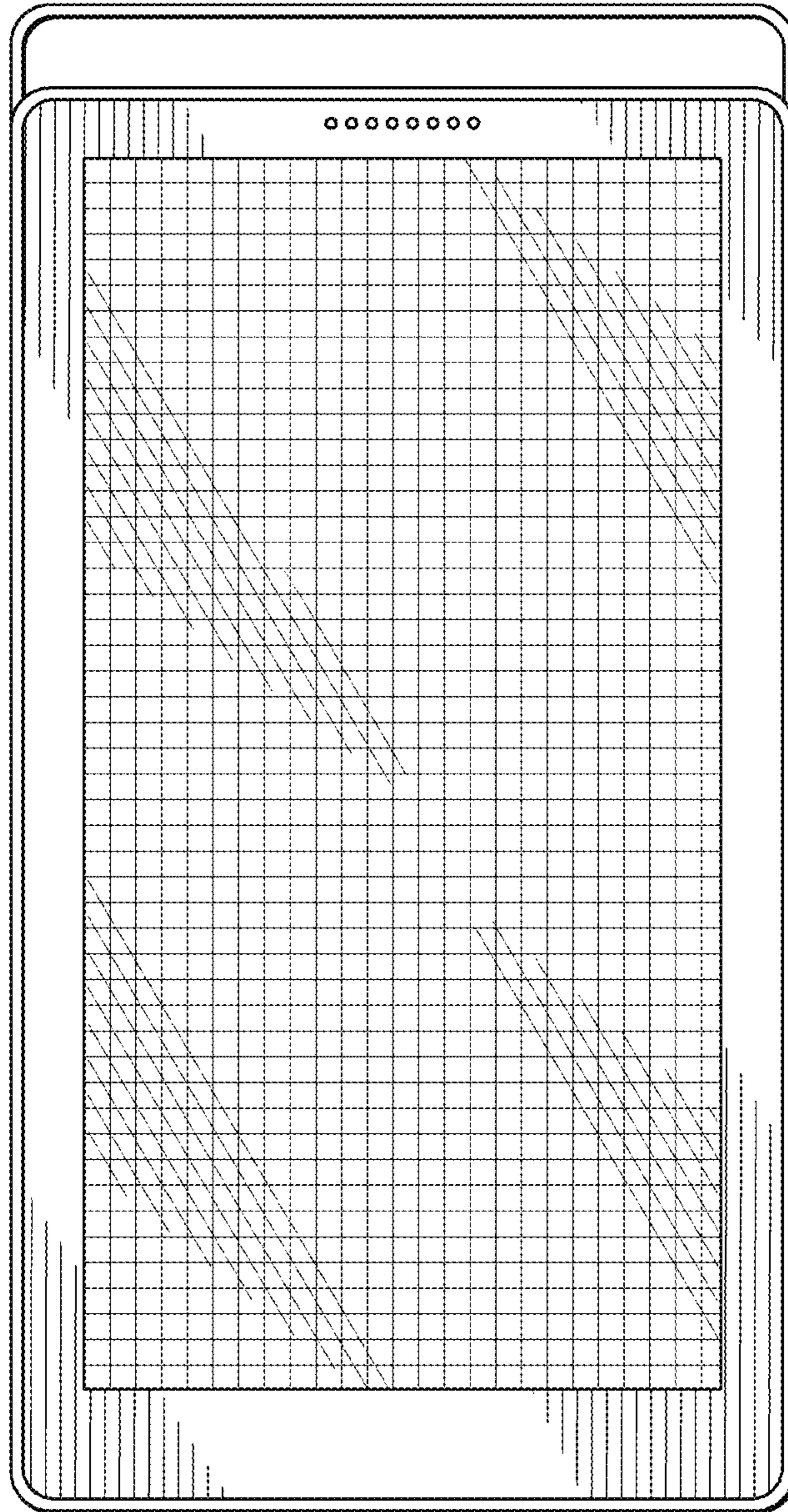


FIG. 16

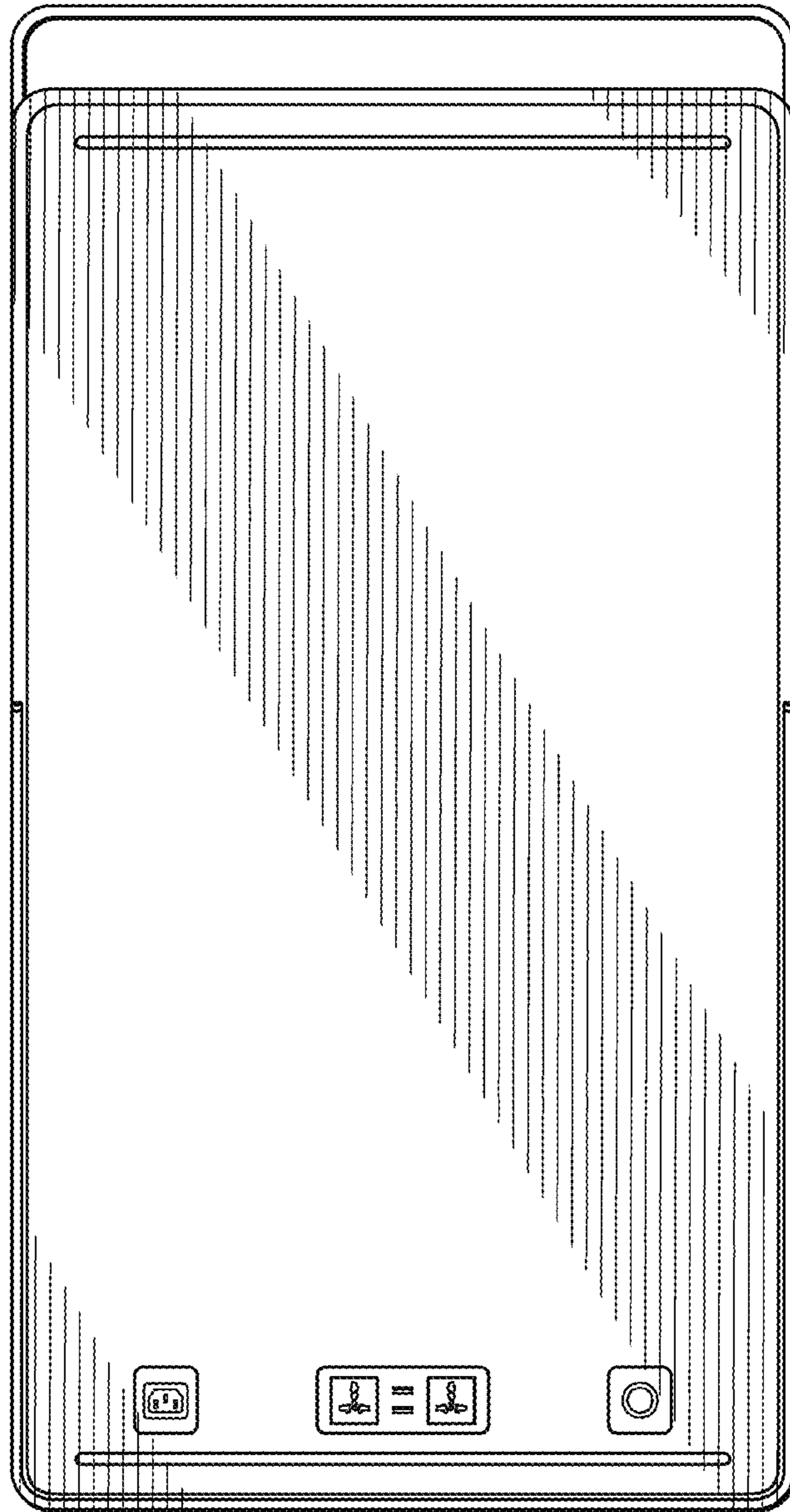


FIG. 17



FIG. 18



FIG. 19



FIG. 20

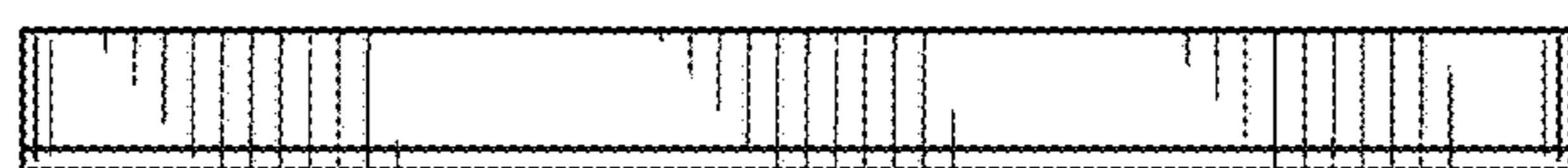


FIG. 21

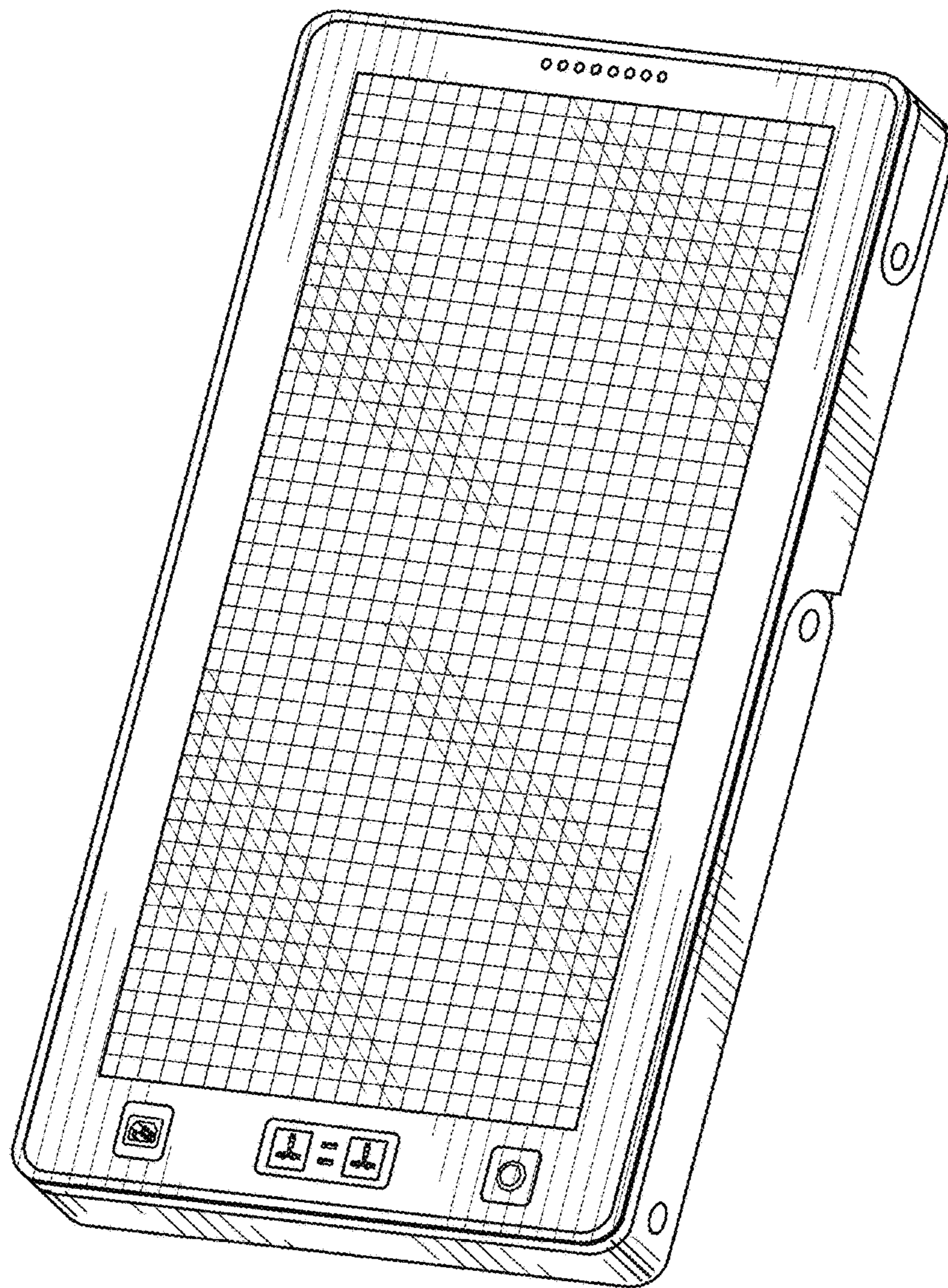


FIG. 22



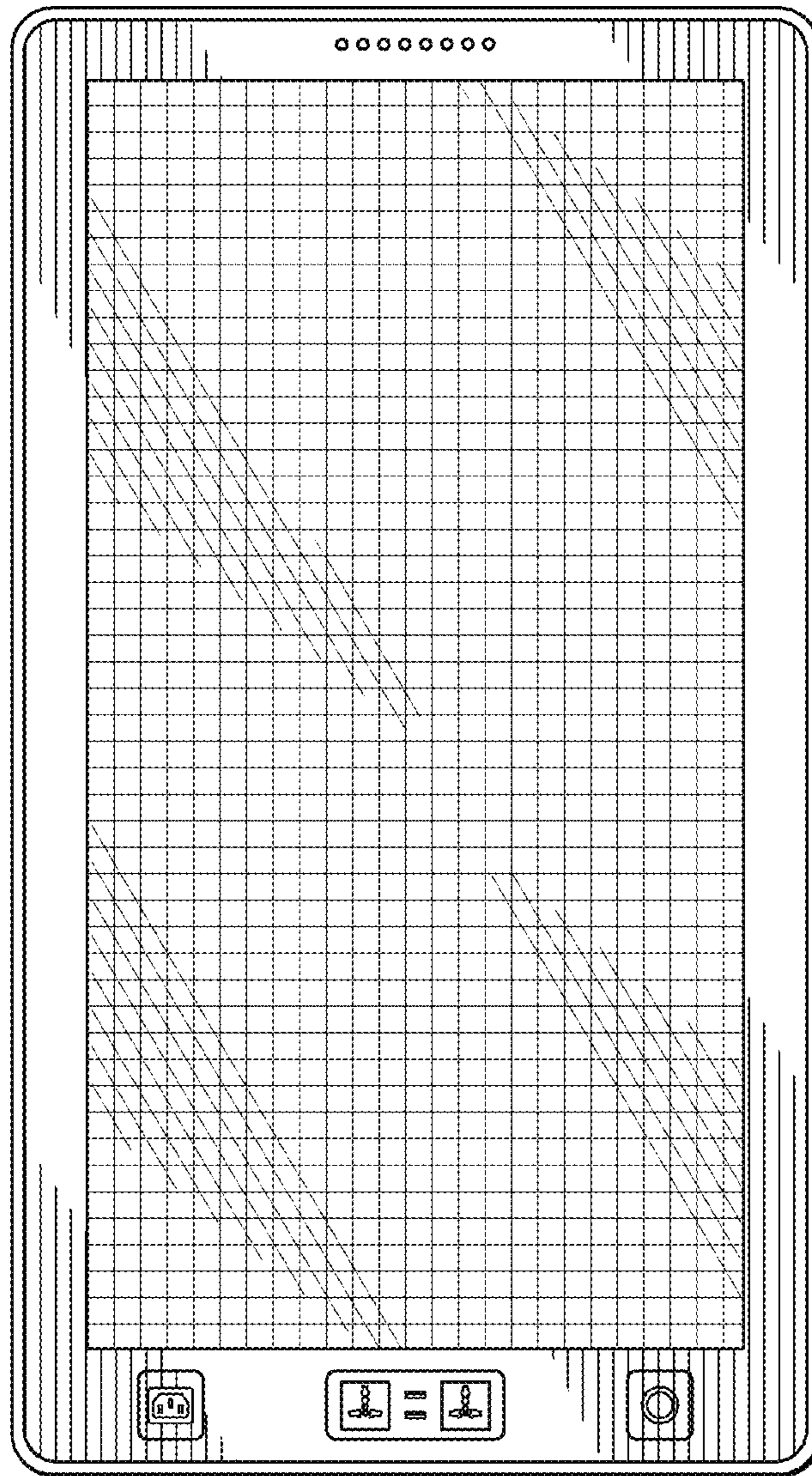


FIG. 23

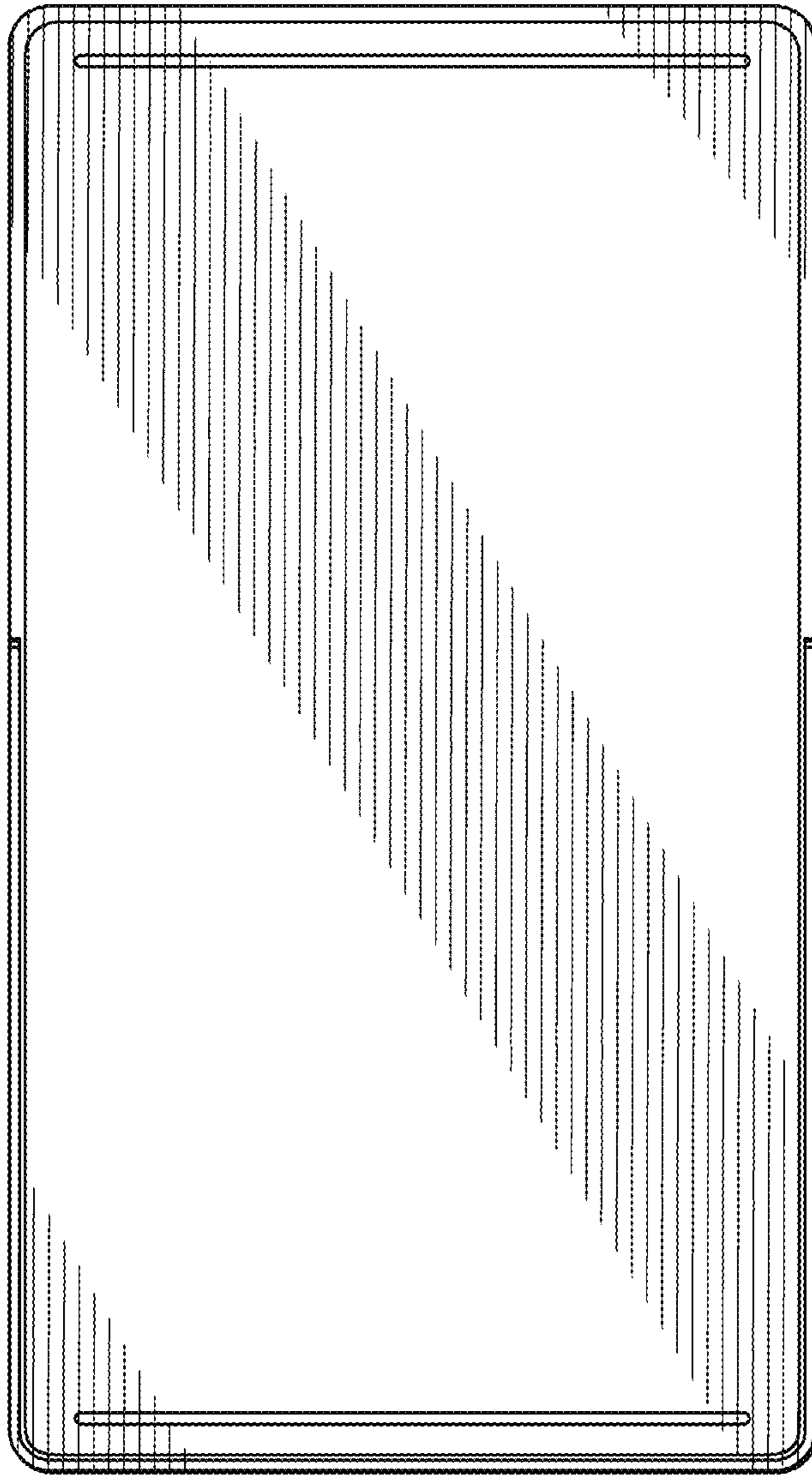


FIG. 24

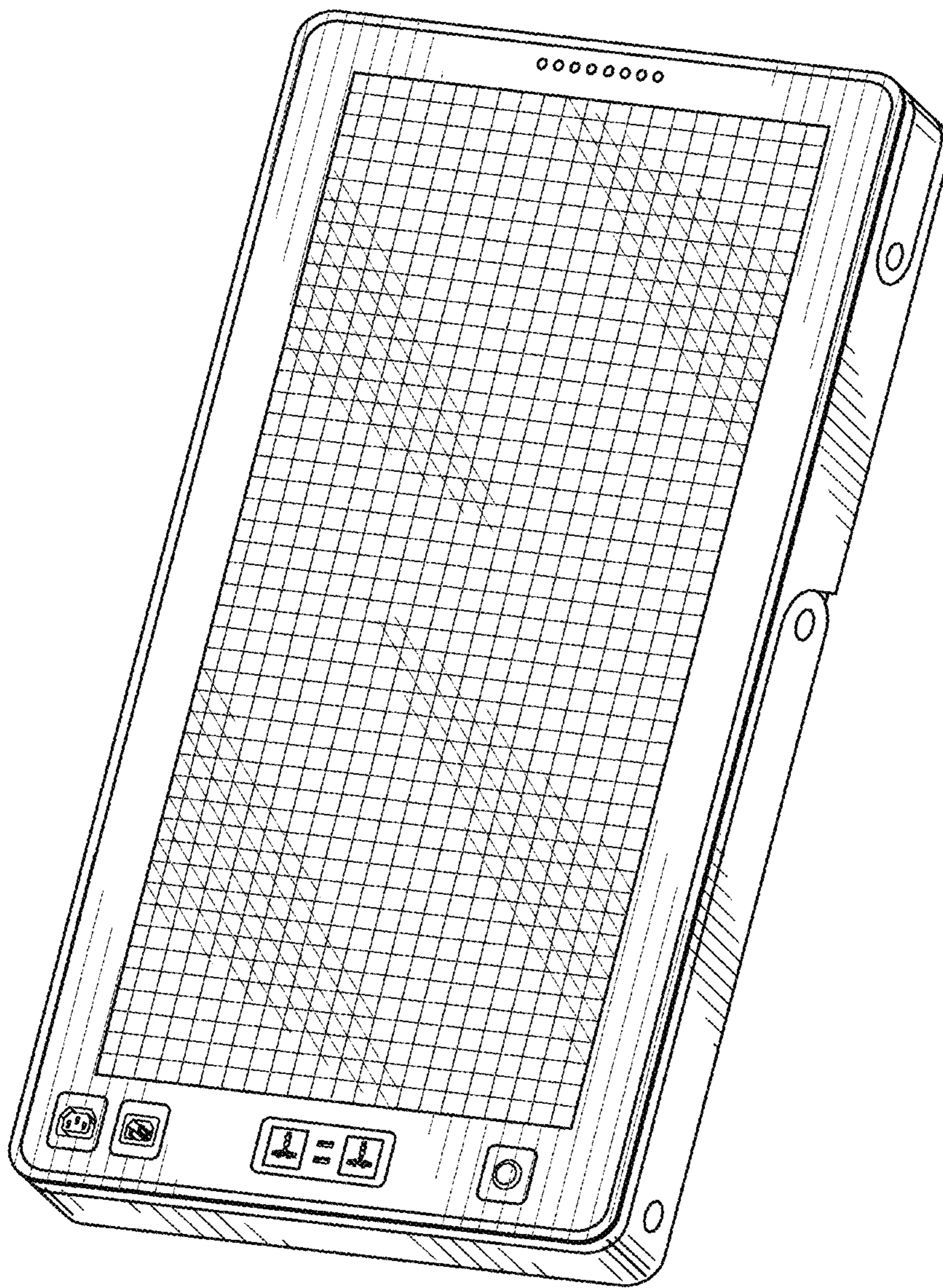


FIG. 25

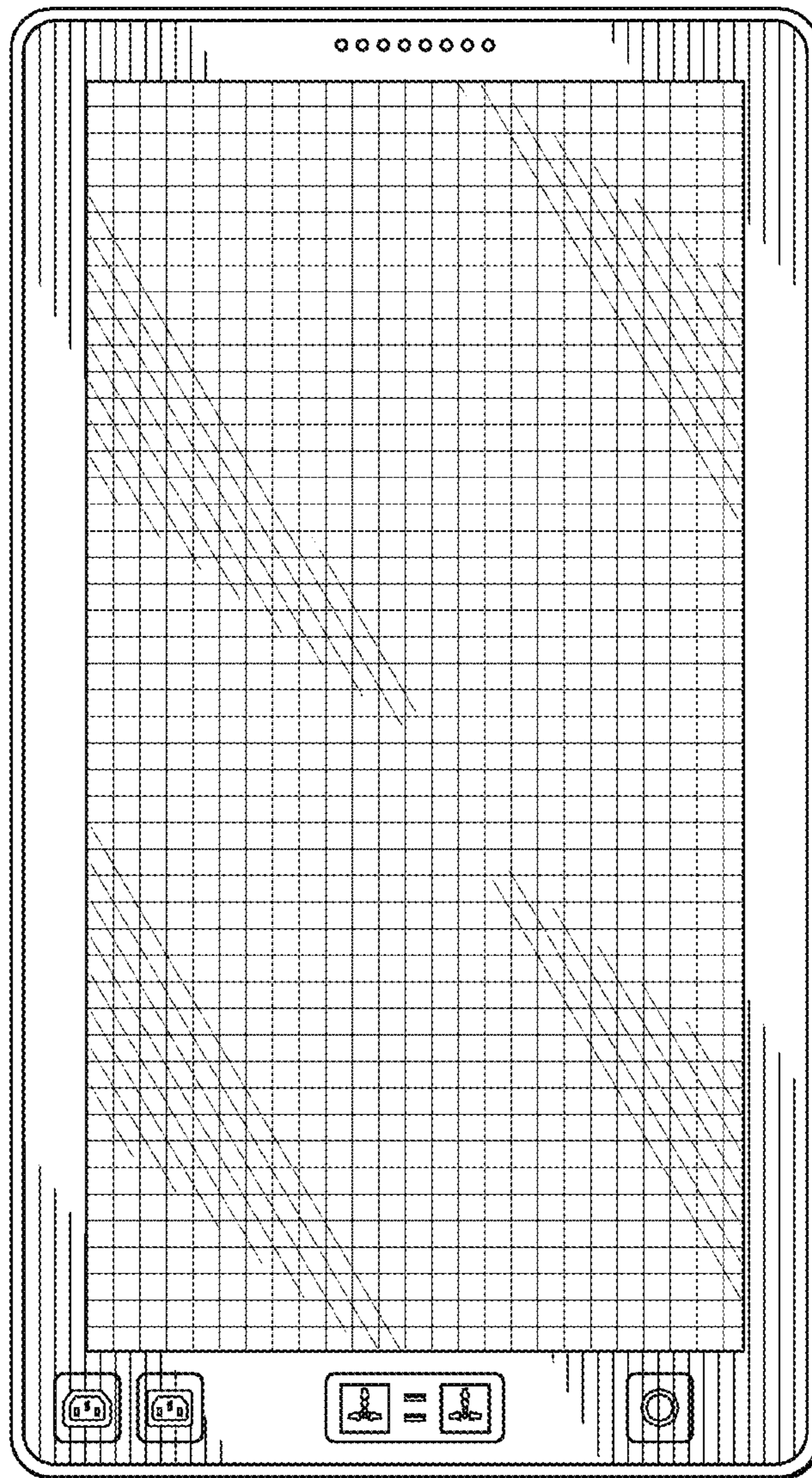


FIG. 26

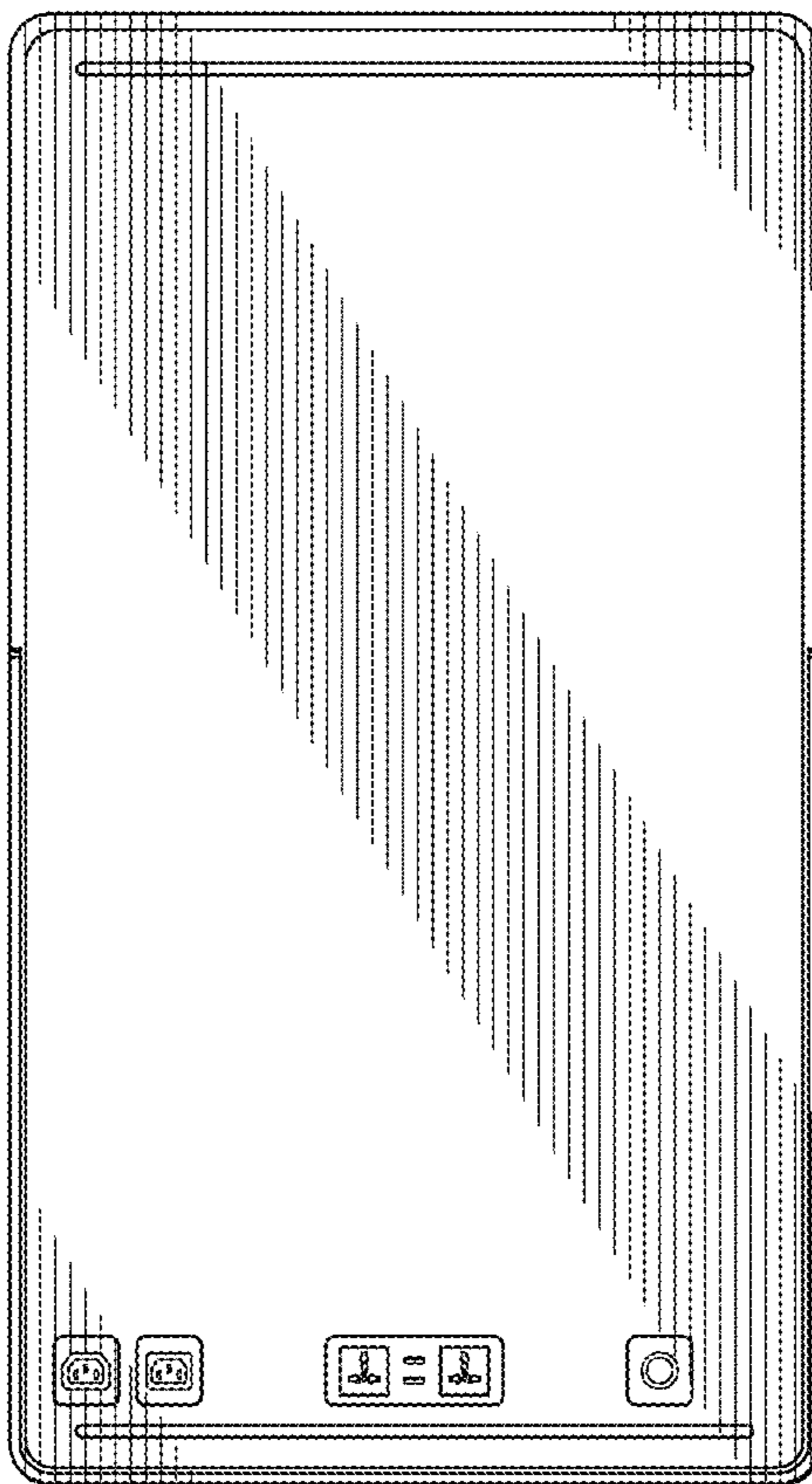


FIG. 27