



US00D793332S

(12) **United States Design Patent** (10) **Patent No.:** **US D793,332 S**
Mendez (45) **Date of Patent:** **** Aug. 1, 2017**

(54) **VEHICLE ID HOLDER**

(71) Applicant: **Winston G. Mendez**, Hollywood, FL (US)

(72) Inventor: **Winston G. Mendez**, Hollywood, FL (US)

(**) Term: **15 Years**

(21) Appl. No.: **29/583,394**

(22) Filed: **Nov. 4, 2016**

(51) **LOC (10) Cl.** **12-16**

(52) **U.S. Cl.**
USPC **D12/415**

(58) **Field of Classification Search**
USPC D12/415, 416-420, 400, 191, 106, 195, D12/192, 345, 96, 99
CPC B60R 7/06; B60R 11/02; B60R 2011/0005
See application file for complete search history.

(56) **References Cited**

U.S. PATENT DOCUMENTS

D628,531 S	*	12/2010	Benedetti	D12/415
D676,371 S	*	2/2013	Son	D12/415
D715,284 S	*	10/2014	Iwamoto	D12/415
D716,215 S	*	10/2014	Dunn	D12/415
D735,112 S	*	7/2015	Deng	D12/415
9,132,779 B2	*	9/2015	Azadi	B60R 11/04
9,283,900 B2	*	3/2016	DeLine	B60Q 3/023
D765,016 S	*	8/2016	Azadi	D12/415
D767,556 S	*	9/2016	Lee	D12/415
9,473,607 B2	*	10/2016	An	H04M 1/11
9,505,355 B1	*	11/2016	Cho	B60R 11/0241
D778,713 S	*	2/2017	McSweyn	D12/415

* cited by examiner

Primary Examiner — Katrina A Betton

(74) *Attorney, Agent, or Firm* — Nancy J. Flint, Esq.; Nancy J. Flint, Attorney At Law, P.A.

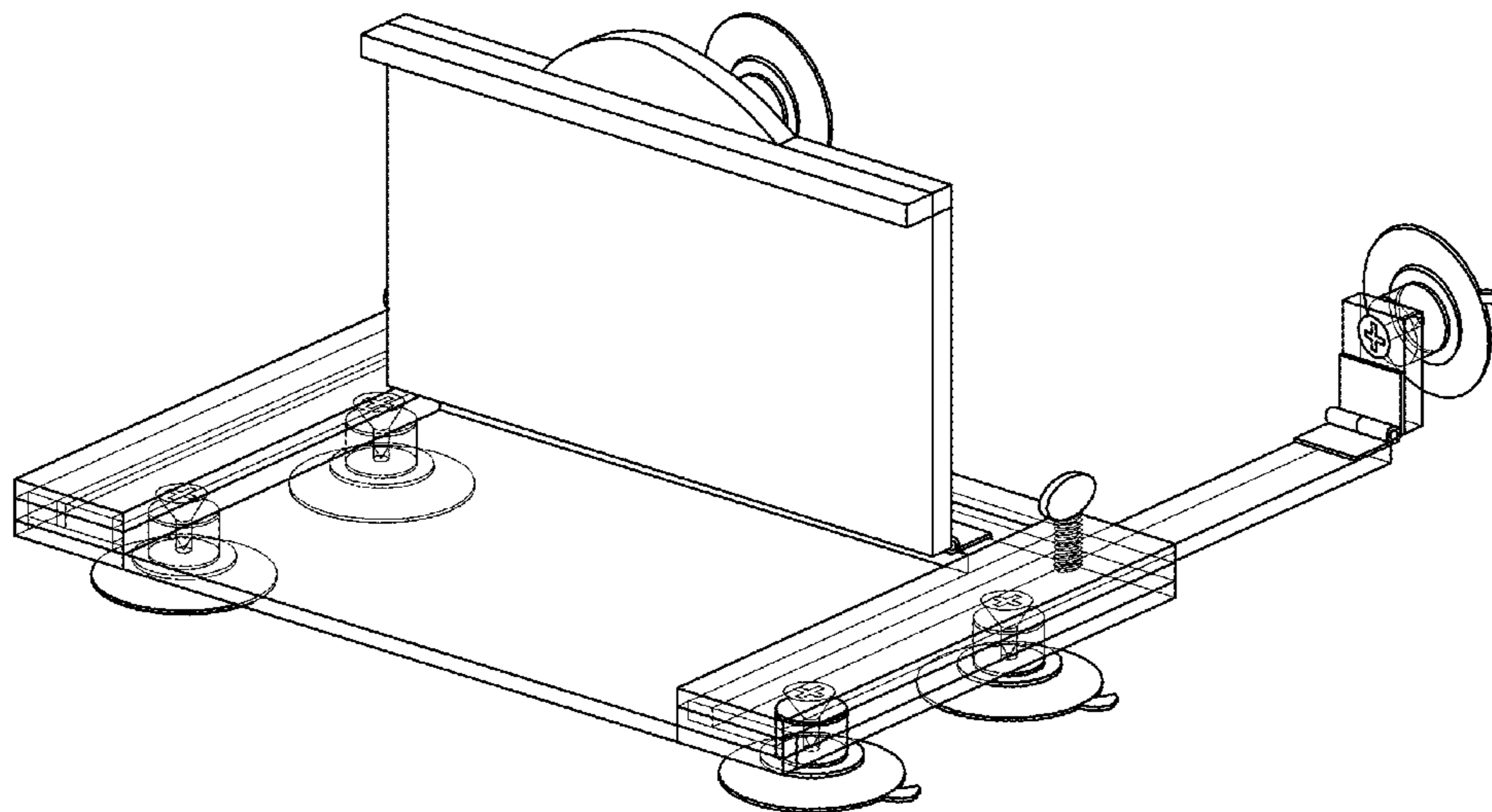
(57) **CLAIM**

The ornamental design for a vehicle ID holder, as shown and described.

DESCRIPTION

FIG. 1 is a top perspective view of a vehicle ID holder in its closed position showing my new design;
 FIG. 2 is a top view of the vehicle ID holder in its closed position;
 FIG. 3 is a bottom view of the vehicle ID holder in its closed position;
 FIG. 4 is a front view of the vehicle ID holder in its closed position;
 FIG. 5 is a rear view of the vehicle ID holder in its closed position;
 FIG. 6 is a right side view of the vehicle ID holder in its closed position;
 FIG. 7 is a top perspective view of the vehicle ID holder in its closed position as attached to the dashboard of a vehicle;
 FIG. 8 is a top perspective view of the vehicle ID holder in its open position;
 FIG. 9 is a top view of the vehicle ID holder in its open position;
 FIG. 10 is a bottom view of the vehicle ID holder in its open position;
 FIG. 11 is a front view of the vehicle ID holder in its open position;
 FIG. 12 is a rear view of the vehicle ID holder in its open position;
 FIG. 13 is a right side view of the vehicle ID holder in its open position; and,
 FIG. 14 is a top perspective view of the vehicle ID holder in its open position and holding ID papers as attached to the dashboard of a vehicle.
 Left side views not shown are mirror images of right side views. Any broken lines illustrative of environmental structure in the drawings are not part of the design sought to be patented.

1 Claim, 12 Drawing Sheets



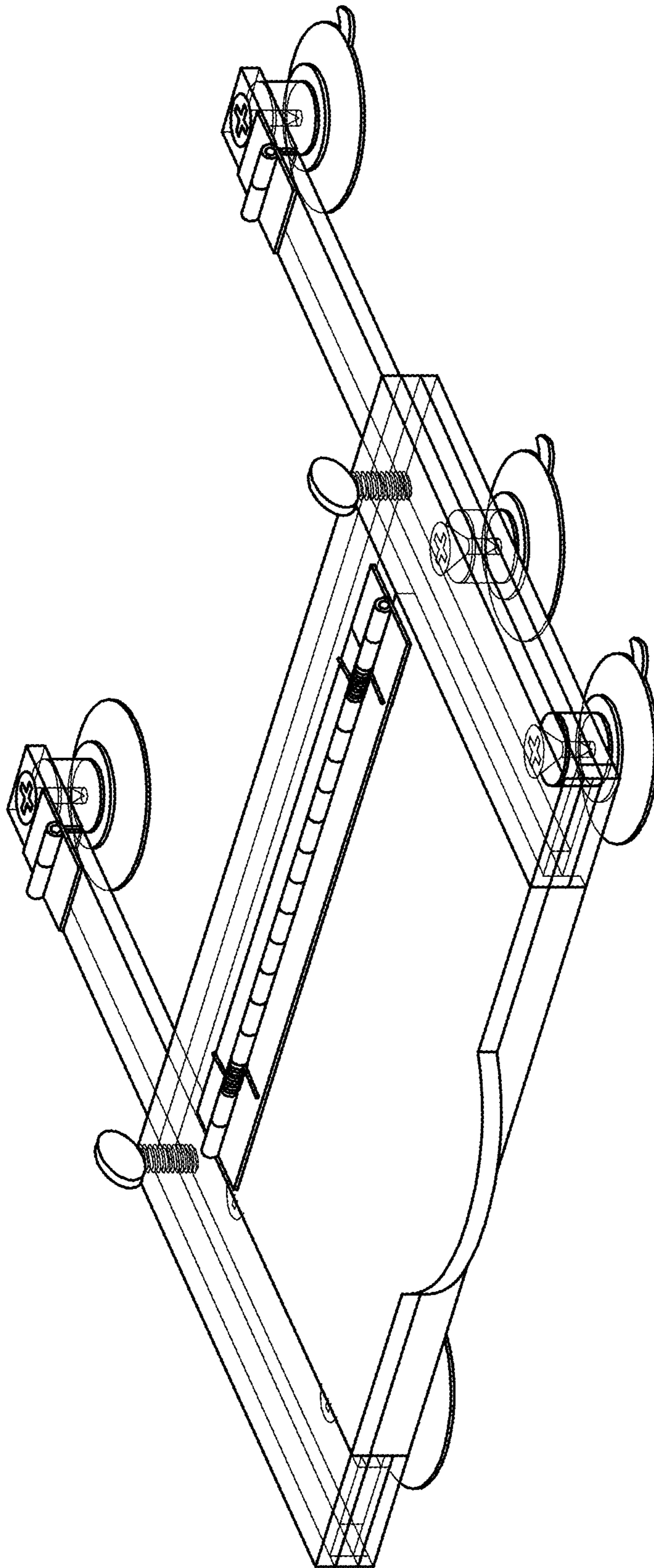


Fig. 1

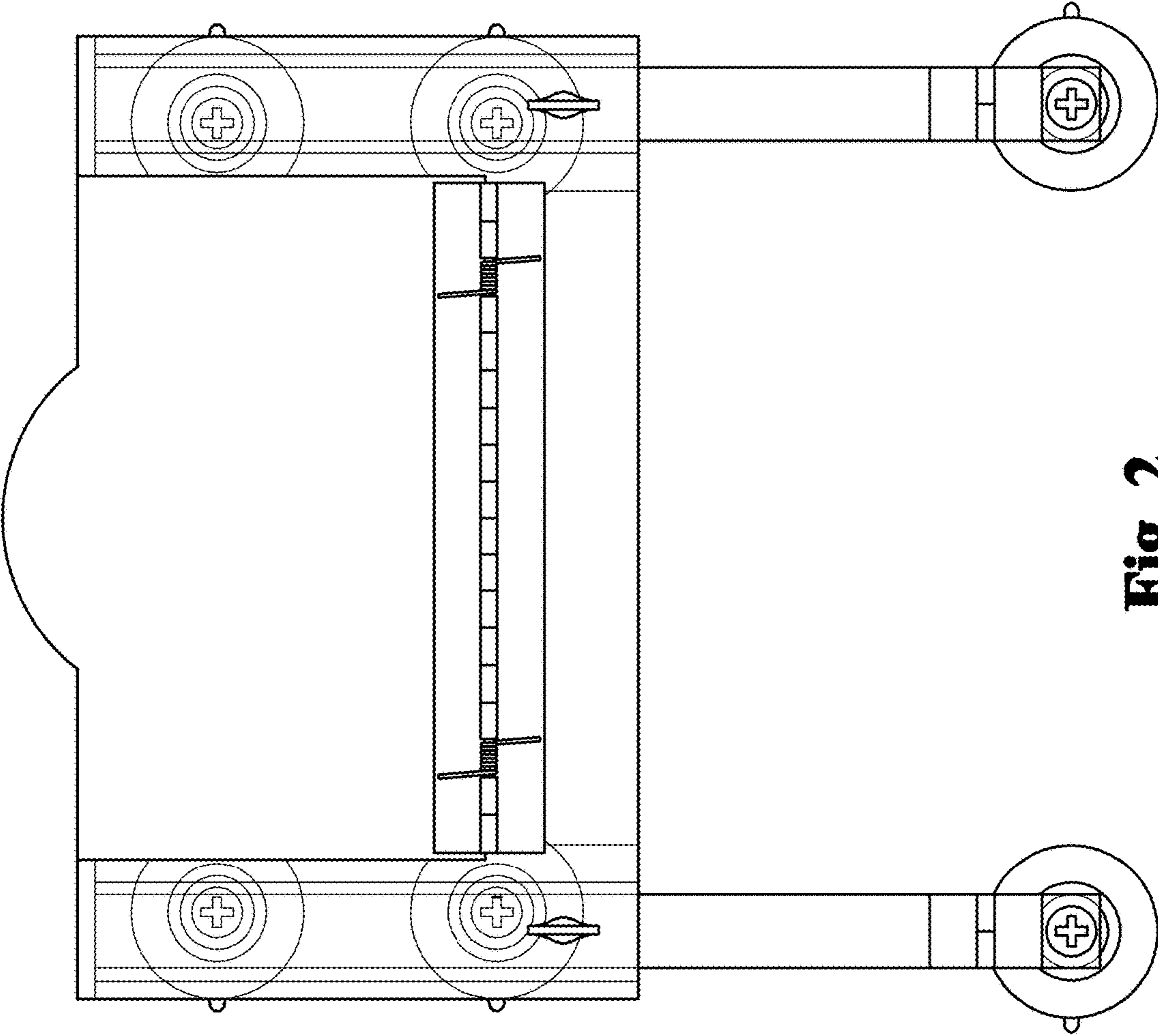


Fig. 2

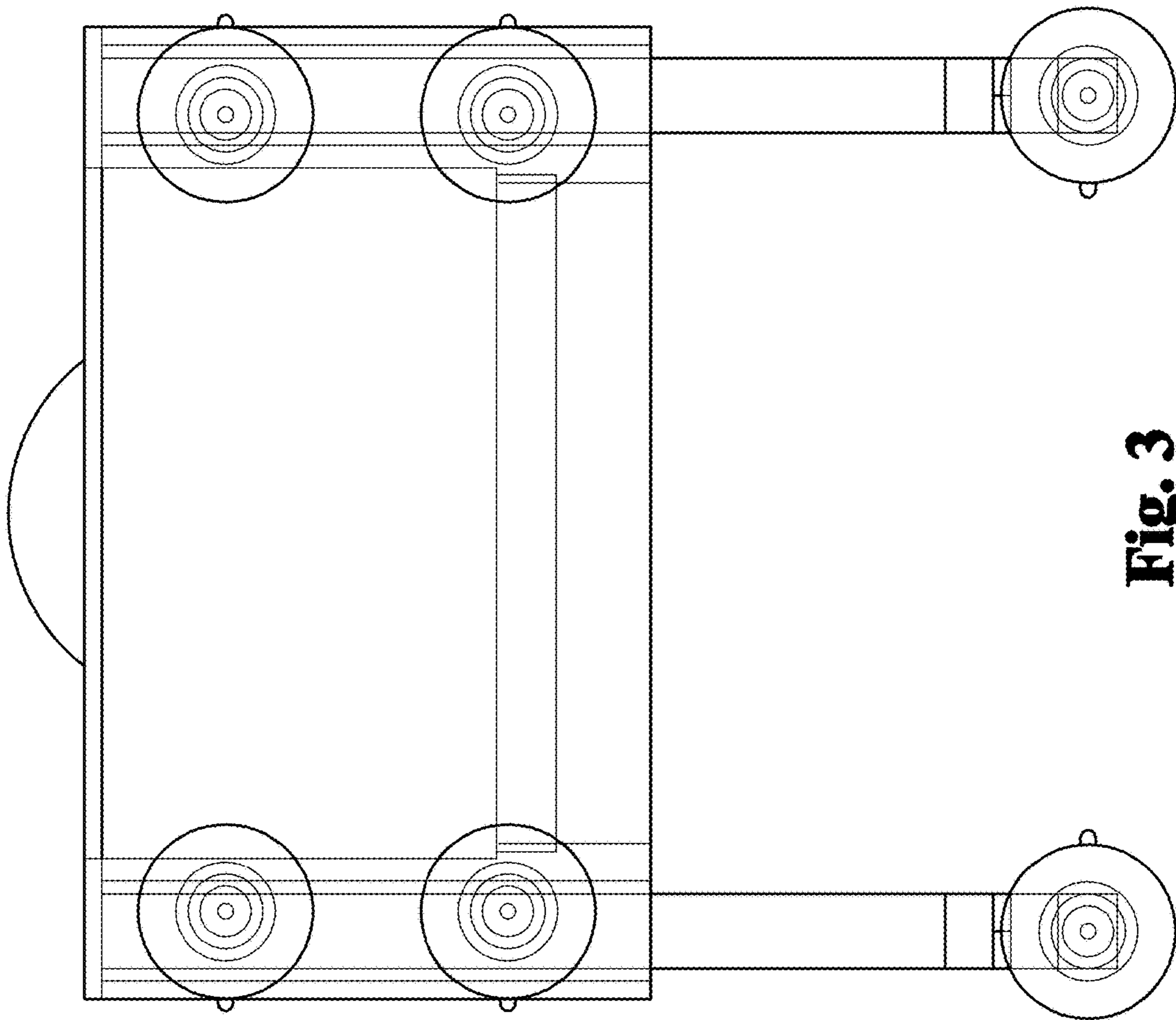


Fig. 3

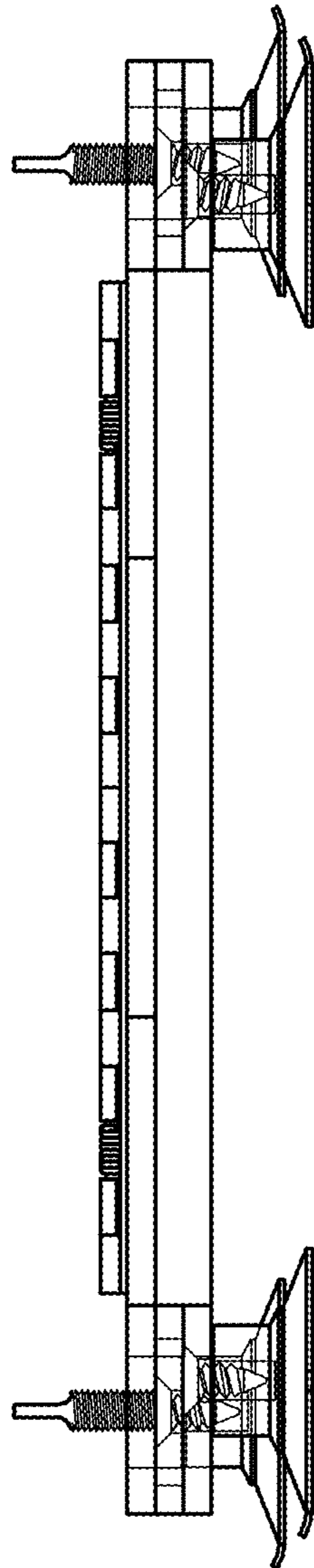


Fig. 4

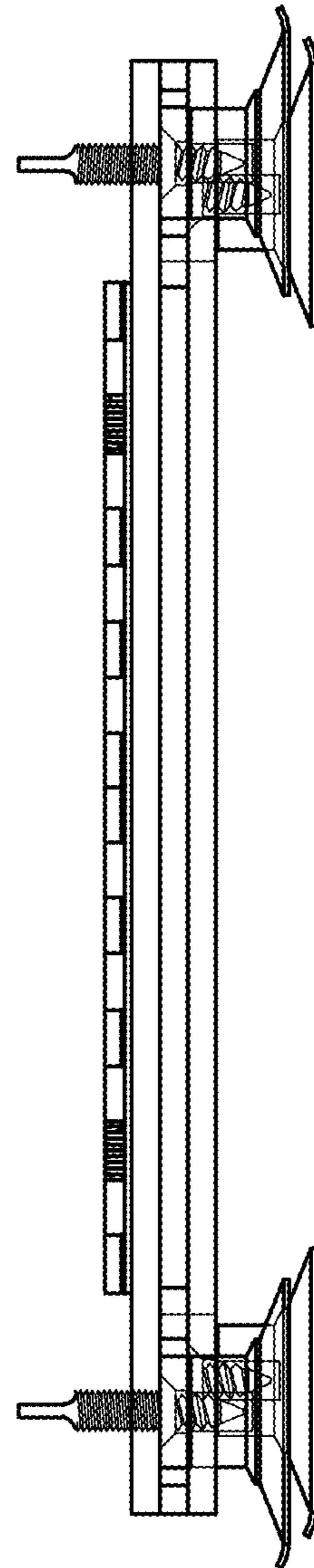


Fig. 5

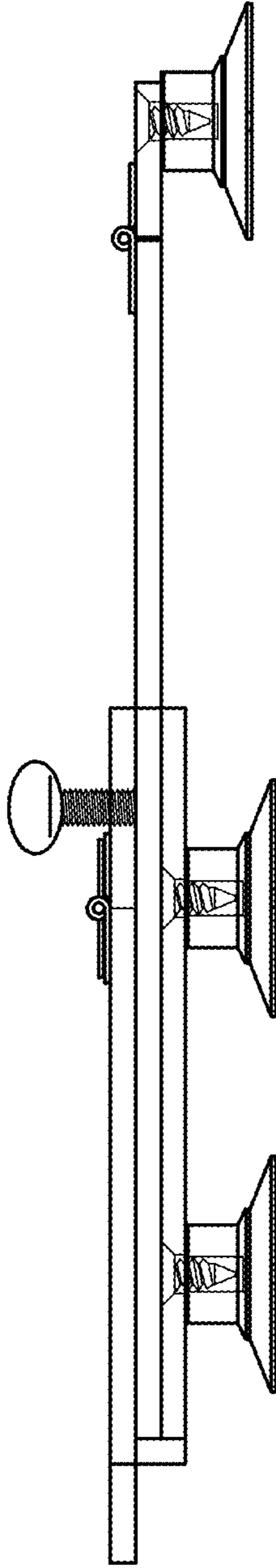


Fig. 6

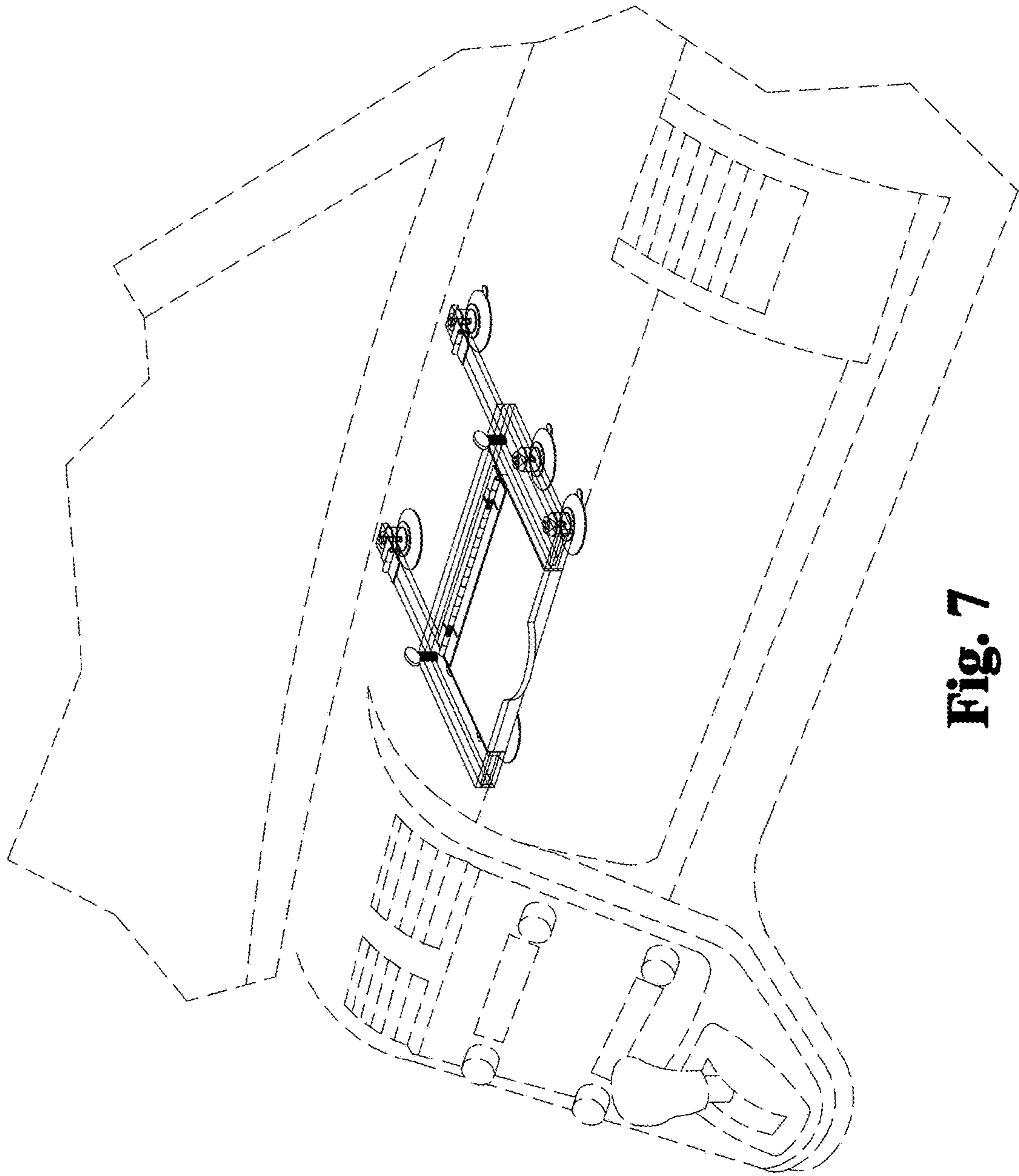


Fig. 7

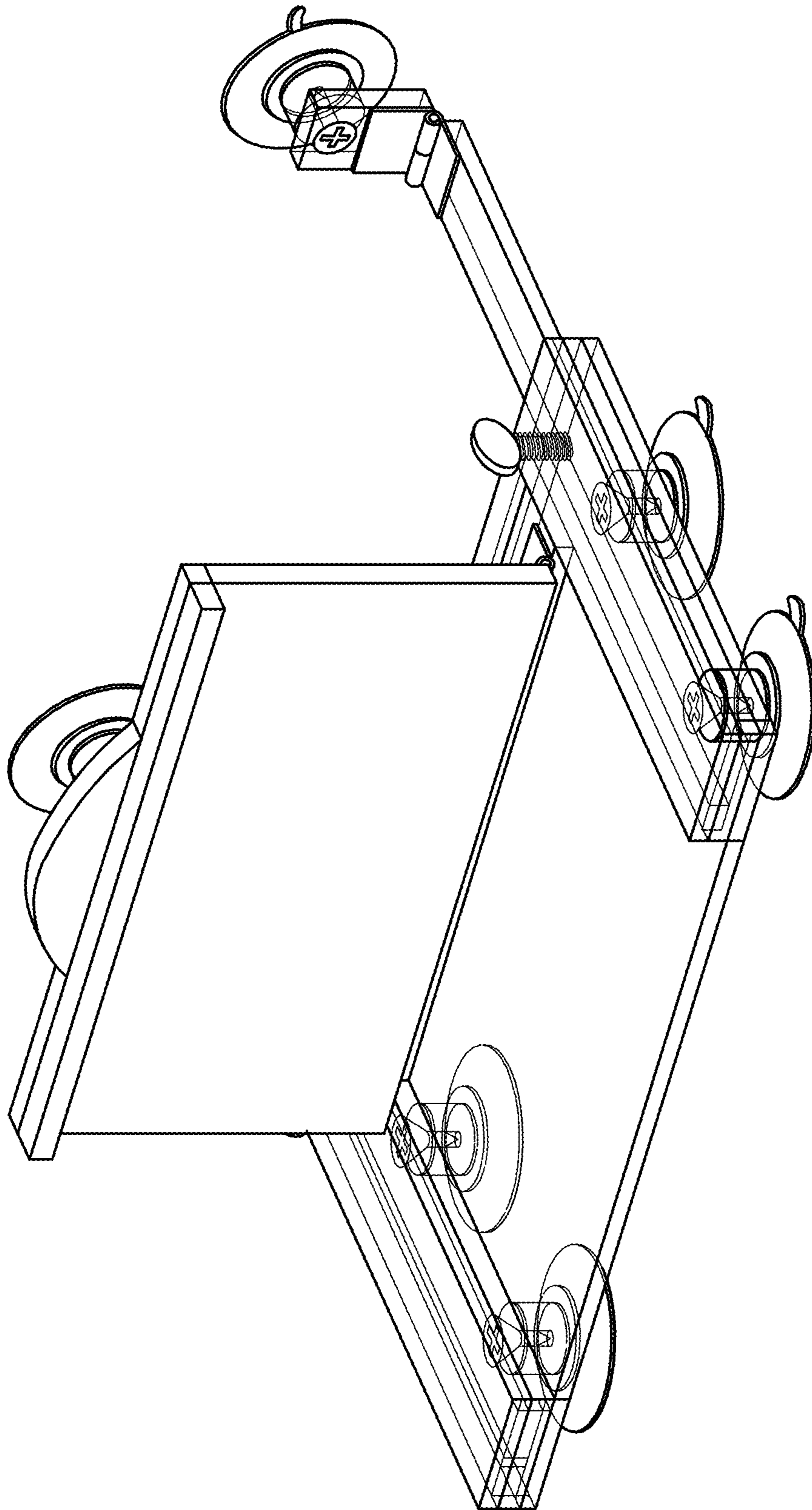


Fig. 8

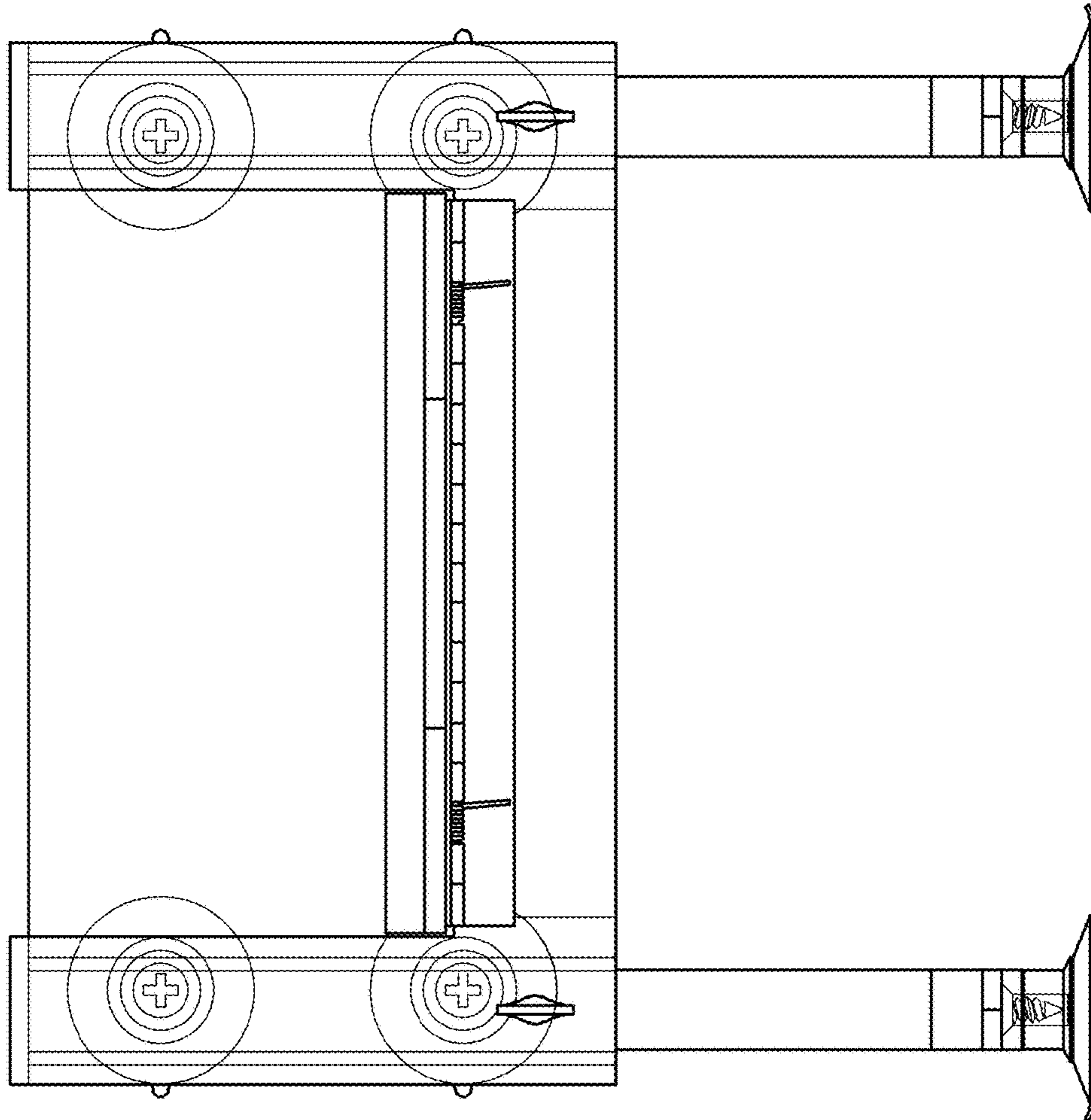


Fig. 9

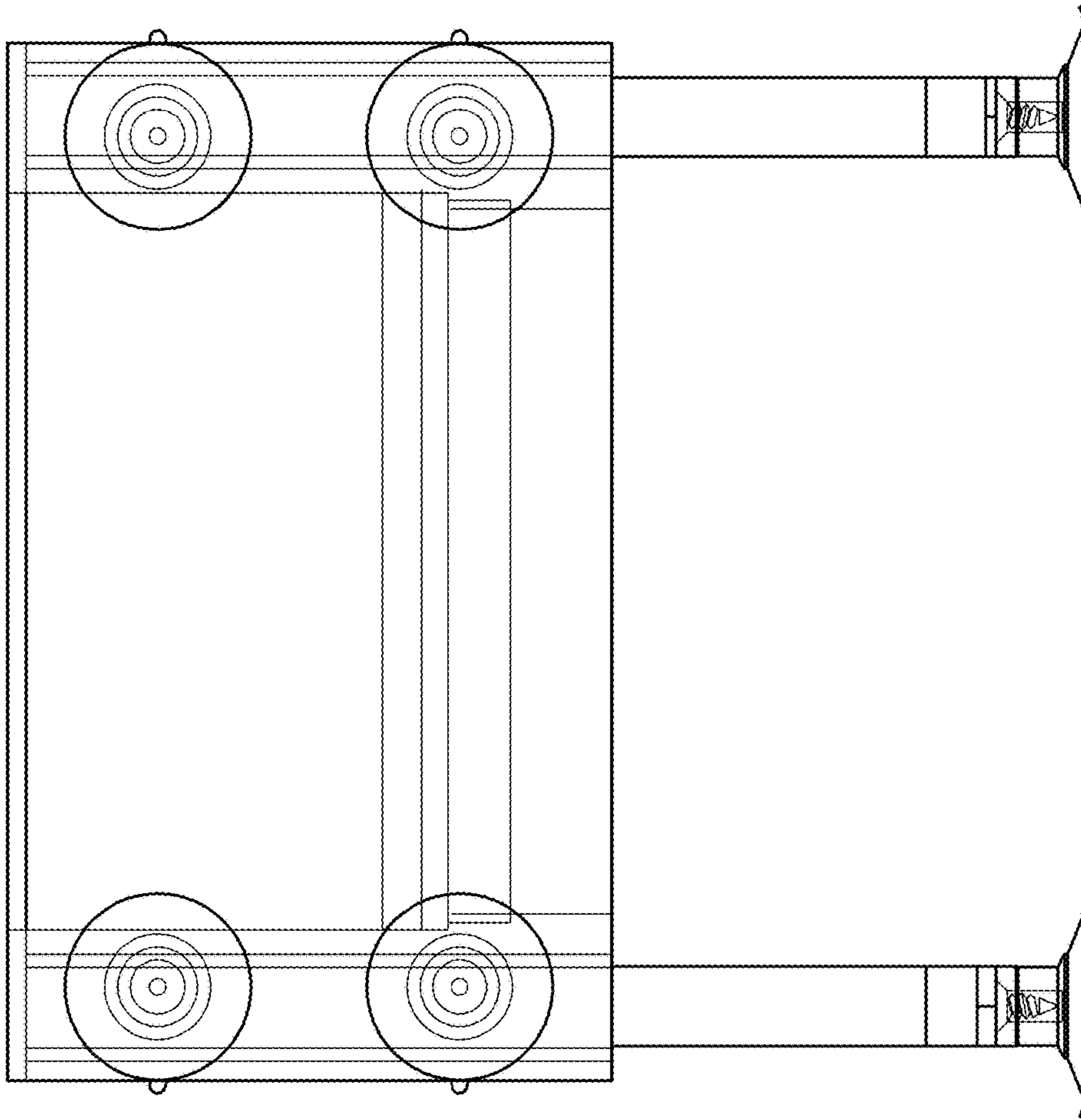


Fig. 10

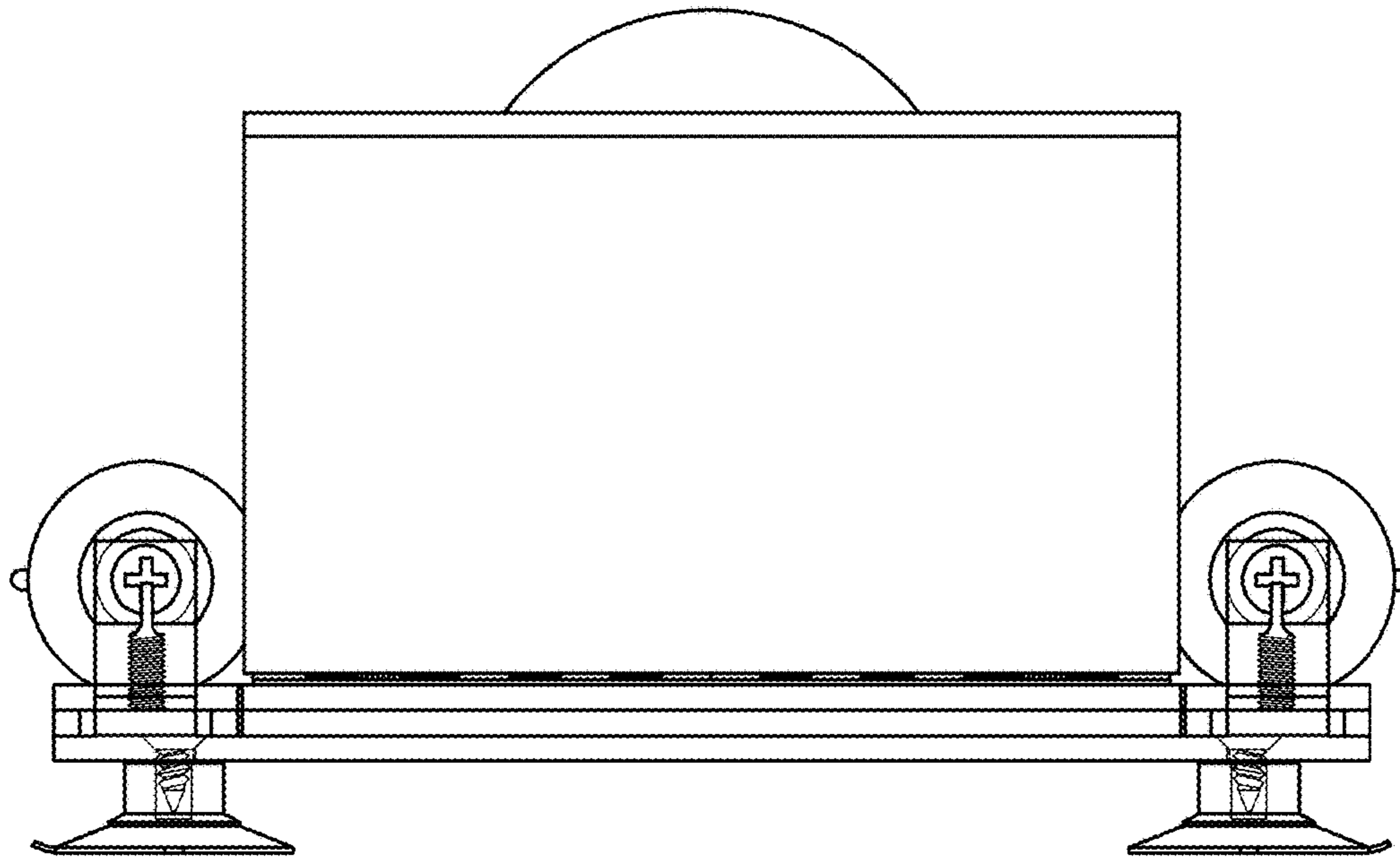


Fig. 11

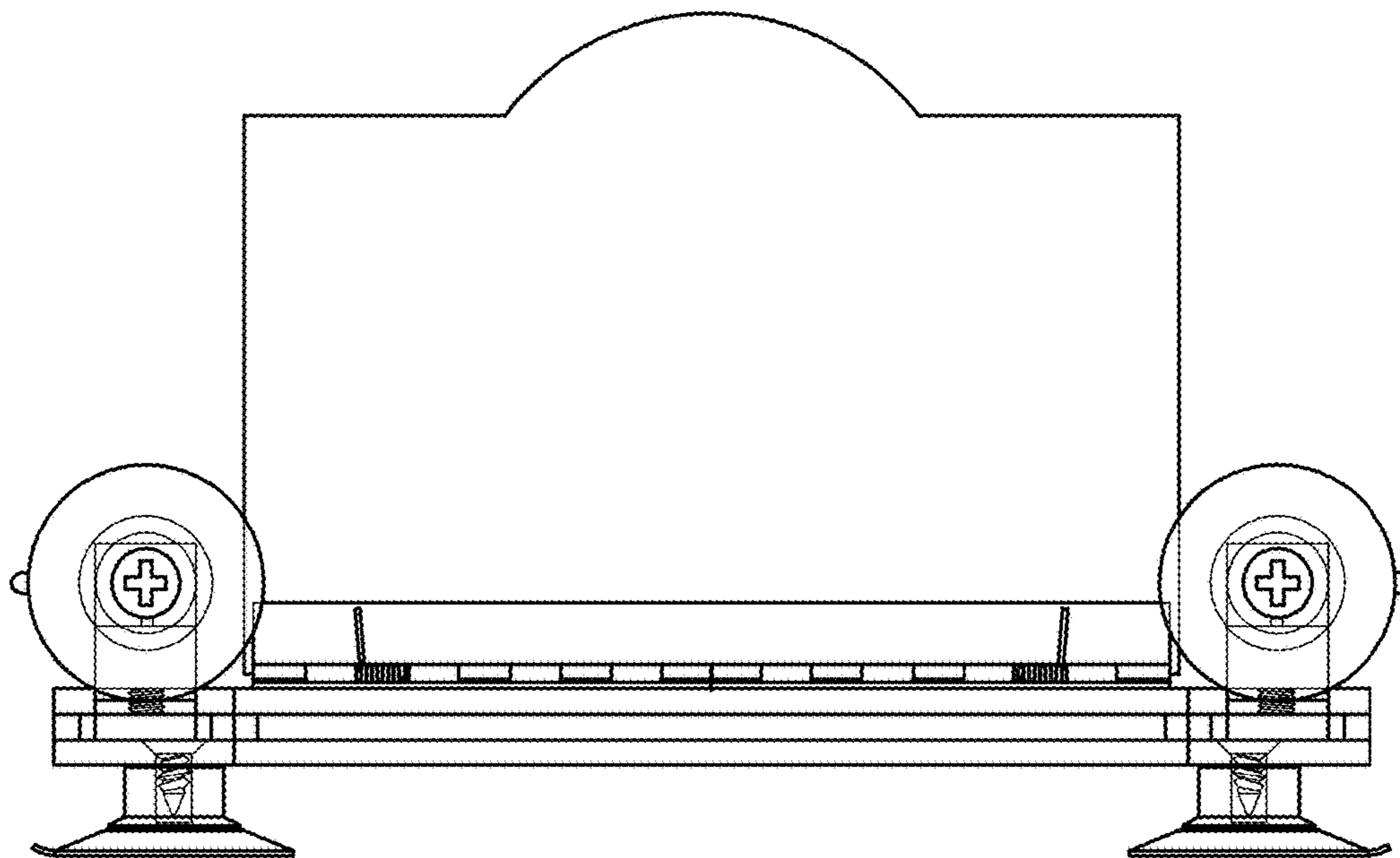


Fig. 12

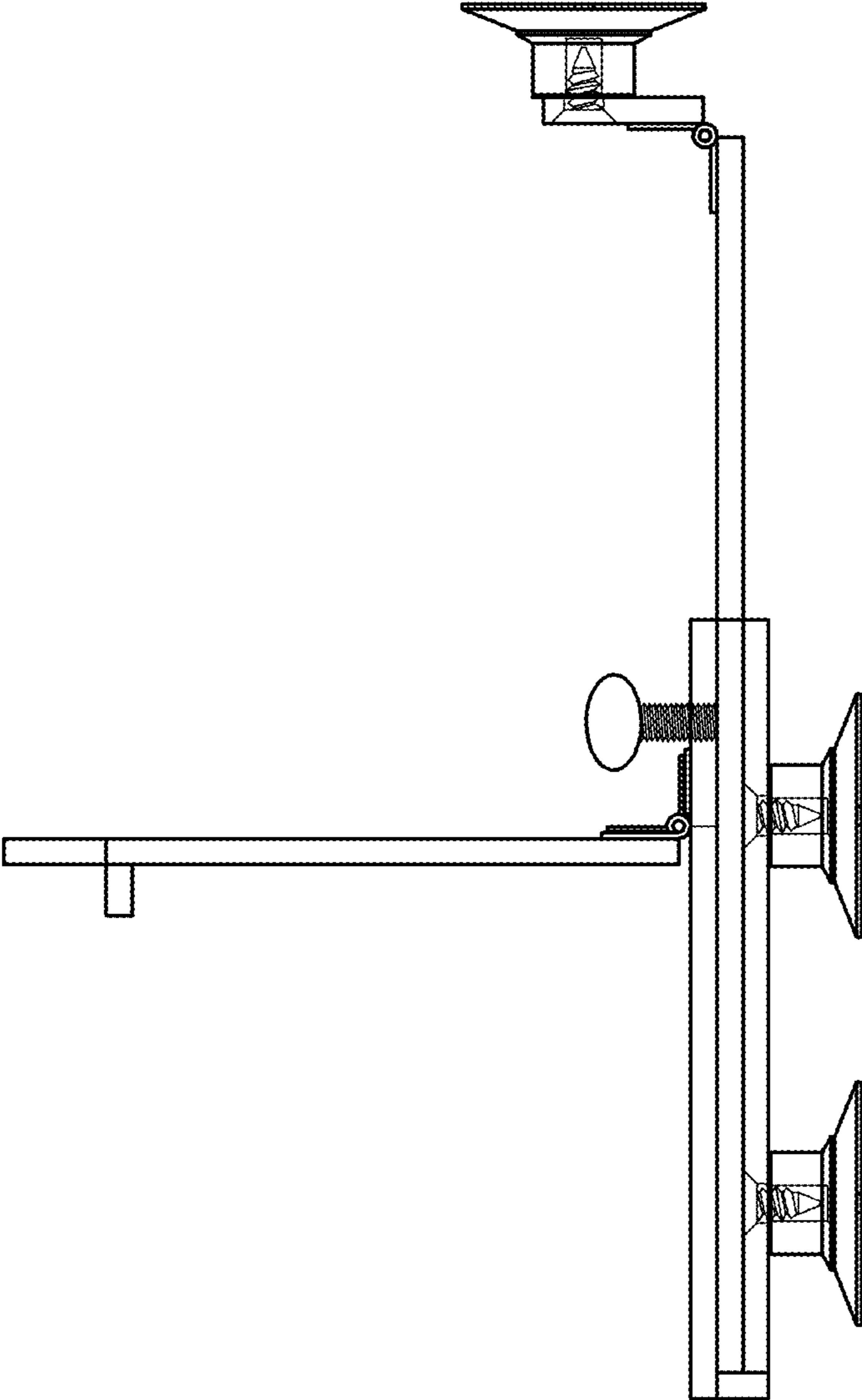


Fig. 13

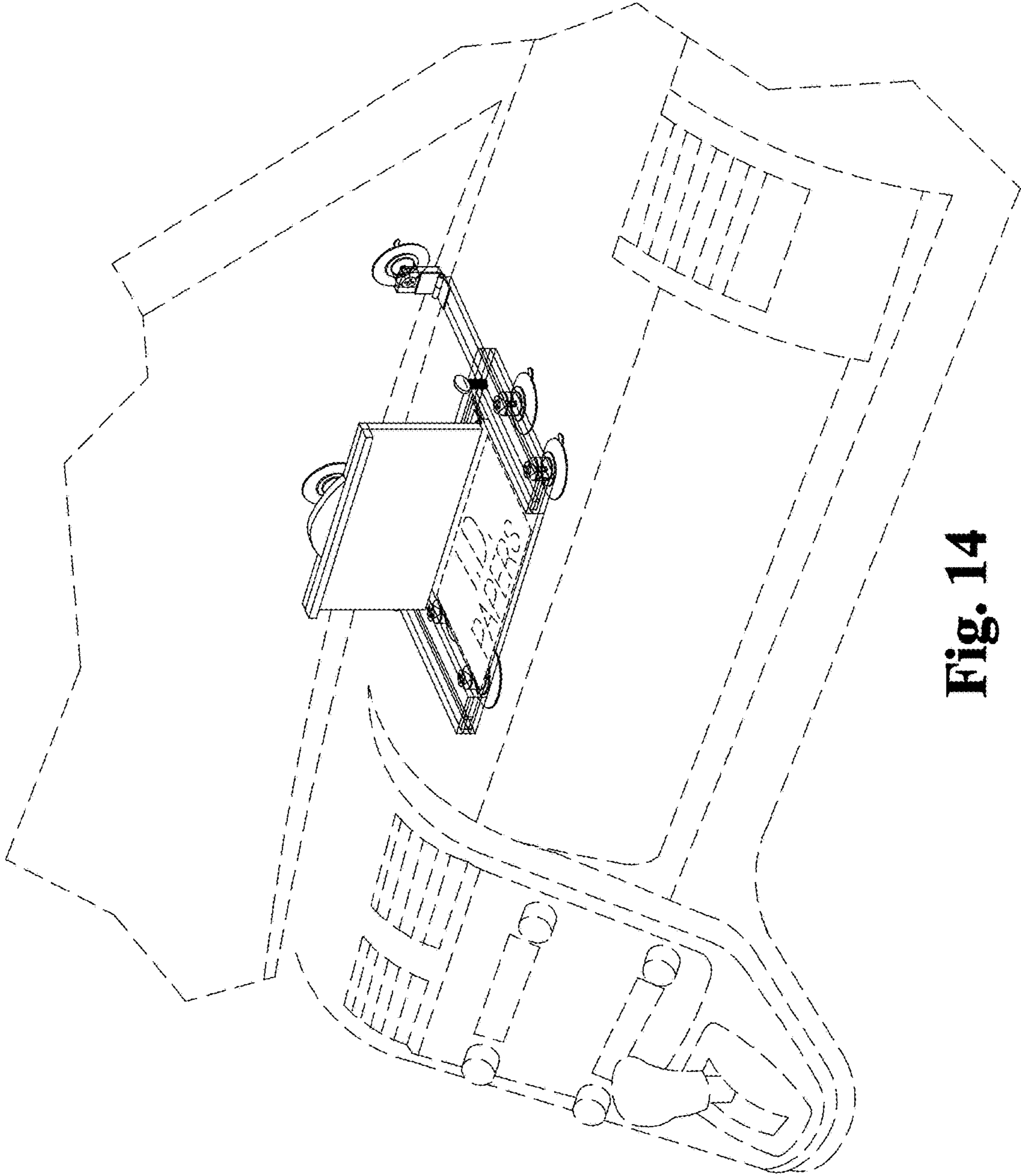


Fig. 14