



US00D793329S

(12) **United States Design Patent** (10) **Patent No.:** **US D793,329 S**  
**Mathis** (45) **Date of Patent:** **\*\* Aug. 1, 2017**

(54) **PROTECTIVE CAR GUARD**

(71) Applicant: **Kyle Edwin Mathis**, Marina del Rey, CA (US)

(72) Inventor: **Kyle Edwin Mathis**, Marina del Rey, CA (US)

(\*\*) Term: **15 Years**

(21) Appl. No.: **29/528,679**

(22) Filed: **May 29, 2015**

(51) **LOC (10) Cl.** ..... **12-16**

(52) **U.S. Cl.**  
USPC ..... **D12/400**

(58) **Field of Classification Search**  
USPC ..... D12/107, 110, 114, 115, 117, 126, 400, D12/401, 404, 415, 423; D25/48.1, 48.3; D4/138; D7/682; D8/14, 45, 46, 47, 90, D8/98, 101, 105; D32/42, 46, 49  
CPC . B60R 1/025; B60R 1/08; B62H 5/001; B62J 9/006; B65D 43/16; B65D 43/22; B65D 55/02; F21S 48/00; G01S 13/931; B05C 17/0205; B25B 13/48; B25G 1/04; B25G 3/26; A45B 9/02

See application file for complete search history.

(56) **References Cited**

U.S. PATENT DOCUMENTS

2,796,805	A *	6/1957	Morgan	.....	B60R 1/08 359/606
D303,644	S *	9/1989	Upton	.....	D12/114
D374,854	S *	10/1996	Little	.....	D12/196
D386,458	S *	11/1997	Smith	.....	D12/167
D392,246	S *	3/1998	Anderson	.....	D12/400
D404,920	S *	2/1999	Long	.....	D12/423
D419,505	S *	1/2000	Deerman	.....	D12/162
D424,485	S *	5/2000	Parker	.....	D12/162
D431,221	S *	9/2000	Smith	.....	D12/196
D437,810	S *	2/2001	Runfola	.....	D12/167
6,339,392	B1 *	1/2002	Ashihara	.....	G01S 13/931 342/1

(Continued)

OTHER PUBLICATIONS

No Dings Car Door Protector, image post date Feb. 16, 2016, site visited Feb. 8, 2017, (online), <<https://www.desertcart.ae/products/25342756-no-dings-car-door-protector-door-protector-ding-guard>>.\*

(Continued)

*Primary Examiner* — Kevin Rudzinski

*Assistant Examiner* — Sean D Lough

(74) *Attorney, Agent, or Firm* — Keeley DeAngelo LLP

(57) **CLAIM**

The ornamental design for a protective car guard, as shown and described.

**DESCRIPTION**

FIG. 1 is a front right perspective view of a protective car guard in situ with an automobile in dashed lines;

FIG. 2 is a rear right perspective view of a protective car guard;

FIG. 3 is a front plan view in elevation of the a protective car guard of FIGS. 1 and 2;

FIG. 4 is a side view in elevation of the a protective car guard of FIGS. 1 and 2 as seen from the right-hand side thereof;

FIG. 5 is a rear view in elevation of the a protective car guard of FIGS. 1 and 2;

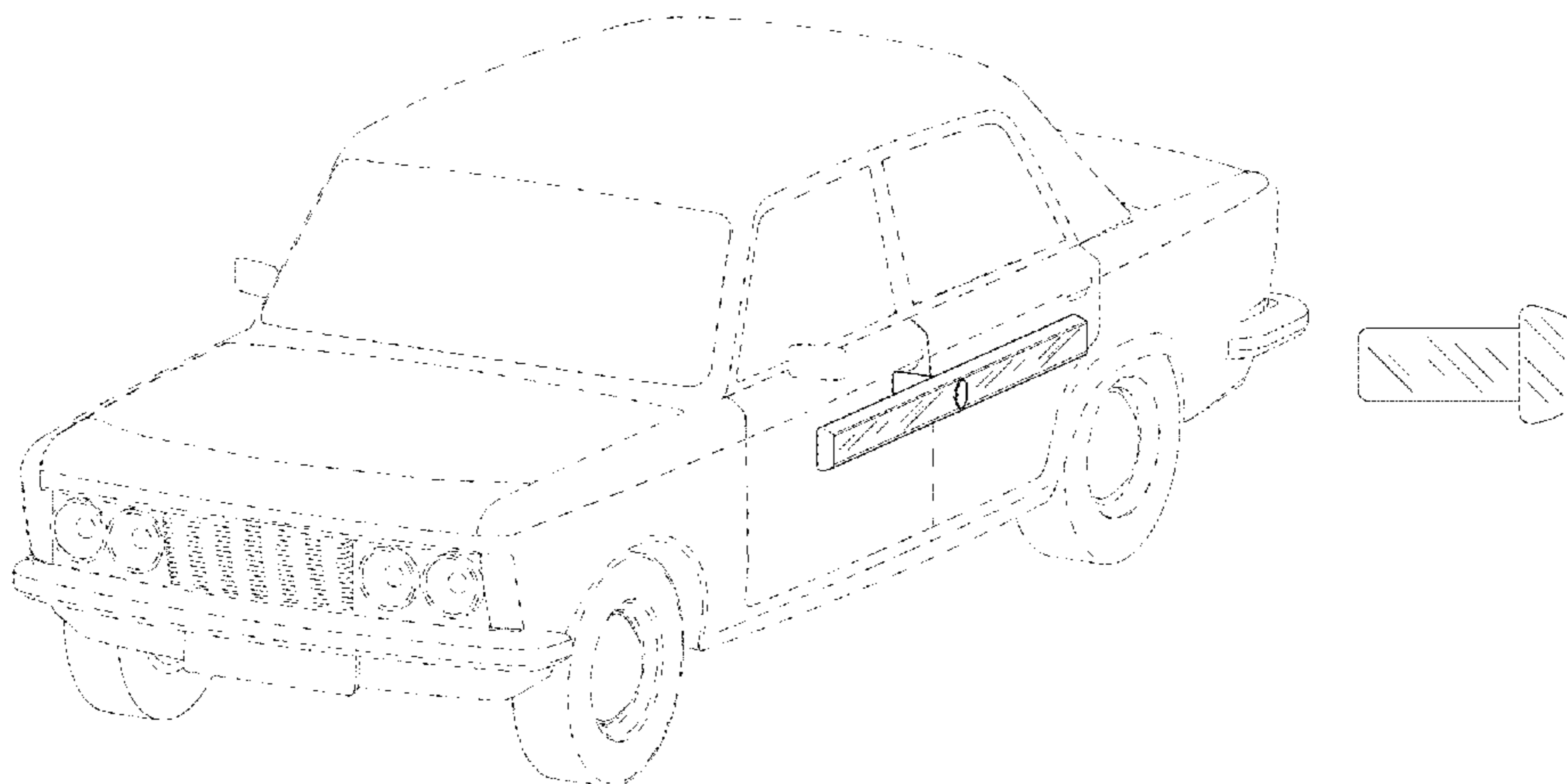
FIG. 6 is a side view in elevation of the a protective car guard of FIGS. 1 and 2 as seen from the left-hand side thereof;

FIG. 7 is a top plan view of the a protective car guard of FIGS. 1 and 2; and,

FIG. 8 is a bottom plan view of the a protective car guard of FIGS. 1 and 2.

The broken lines present in FIG. 1 illustrate environment of the protective car guard that form no part of the claimed design.

**1 Claim, 5 Drawing Sheets**



(56)

References Cited

U.S. PATENT DOCUMENTS

D458,195 S \* 6/2002 Beauvais ..... D12/162  
 D459,284 S \* 6/2002 Canady ..... D12/197  
 D477,805 S \* 7/2003 LaBelle ..... D12/223  
 D484,080 S \* 12/2003 Yamamoto ..... D12/190  
 D484,161 S \* 12/2003 Mendoza ..... D16/208  
 D484,736 S \* 1/2004 Sarnoff ..... D7/323  
 D485,516 S \* 1/2004 McCoy ..... D12/162  
 D495,283 S \* 8/2004 Ashley ..... D12/203  
 D506,720 S \* 6/2005 Nishimura ..... D12/213  
 D511,731 S \* 11/2005 Lariviere ..... D12/196  
 D522,416 S \* 6/2006 Kozak ..... D12/162  
 D526,604 S \* 8/2006 Kozak ..... D12/162  
 D526,940 S \* 8/2006 DePetrillo ..... D12/162  
 D528,949 S \* 9/2006 Tirey ..... D12/162  
 D530,131 S \* 10/2006 Chatham ..... D6/580  
 D535,235 S \* 1/2007 Saigal ..... D12/196  
 D536,651 S \* 2/2007 Polka ..... D12/203  
 D537,771 S \* 3/2007 Pflieger ..... D12/406  
 D544,424 S \* 6/2007 Bauer ..... D12/197  
 7,255,513 B2 \* 8/2007 Lampley ..... E04F 21/245  
 404/112  
 D555,572 S \* 11/2007 Harrell ..... D12/401  
 D568,222 S \* 5/2008 Storer ..... D12/203  
 D584,868 S \* 1/2009 Higareda ..... D32/35  
 D599,264 S \* 9/2009 Akasawa ..... D12/181  
 D604,234 S \* 11/2009 Scott ..... D12/604  
 D611,480 S \* 3/2010 Hau ..... D14/452  
 D613,220 S \* 4/2010 Ikeda ..... D12/190  
 D617,255 S \* 6/2010 Tezak ..... D12/400  
 D618,598 S \* 6/2010 Edwards ..... D12/162  
 D620,406 S \* 7/2010 Kahan ..... D12/180  
 D623,654 S \* 9/2010 Hau ..... D14/452  
 D638,687 S \* 5/2011 Minkley ..... D8/349  
 D644,223 S \* 8/2011 Maupin ..... D14/371  
 D647,023 S \* 10/2011 Warner ..... D12/213  
 D658,110 S \* 4/2012 Wohlberg ..... D12/400  
 D666,125 S \* 8/2012 Dunn ..... D11/184  
 D689,425 S \* 9/2013 Olson ..... B60R 13/06  
 D12/196  
 D689,427 S \* 9/2013 Frey ..... D12/415  
 D693,732 S \* 11/2013 Dunn ..... D11/184  
 D697,947 S \* 1/2014 Healey ..... D15/32  
 D700,814 S \* 3/2014 Imamura ..... D8/14  
 8,690,365 B1 \* 4/2014 Williams ..... B60R 1/06  
 359/850  
 D704,606 S \* 5/2014 Kirtland ..... D12/172  
 D716,360 S \* 10/2014 Schechter ..... D16/208  
 D723,358 S \* 3/2015 Morris ..... D8/380

D730,146 S \* 5/2015 Stewart ..... D8/303  
 D731,661 S \* 6/2015 Cox ..... D24/185  
 D734,804 S \* 7/2015 Chung ..... D12/193  
 D735,555 S \* 8/2015 Tajdus ..... D8/354  
 D737,750 S \* 9/2015 Garrett ..... D12/426.1  
 D741,757 S \* 10/2015 Roberts ..... D12/167  
 D742,301 S \* 11/2015 Kasparian ..... D12/421  
 D743,410 S \* 11/2015 Unterlechner ..... D14/447  
 D744,919 S \* 12/2015 Marcus ..... D12/188  
 D746,215 S \* 12/2015 Leavitt ..... D12/401  
 D746,761 S \* 1/2016 Cagampang ..... D12/414  
 D747,386 S \* 1/2016 Li ..... D16/208  
 D750,093 S \* 2/2016 Jung ..... D14/451  
 D756,592 S \* 5/2016 Bucks ..... D1/125  
 D759,024 S \* 6/2016 Woo ..... D14/451  
 D760,070 S \* 6/2016 Sarnowski ..... D8/382  
 D761,592 S \* 7/2016 Freese ..... D6/580  
 D762,150 S \* 7/2016 Ernstsson ..... D12/174  
 D764,246 S \* 8/2016 Amarant ..... D8/20  
 D767,976 S \* 10/2016 Marocco ..... D8/363  
 D768,640 S \* 10/2016 Jensen ..... D14/451  
 D769,249 S \* 10/2016 King ..... D14/451  
 D772,235 S \* 11/2016 McGrath ..... D14/447  
 D772,884 S \* 11/2016 Oberpriller ..... G06K 7/1095  
 D14/253  
 D773,380 S \* 12/2016 Meissner ..... D12/415  
 D773,688 S \* 12/2016 Lindstedt ..... D25/48.2  
 D776,027 S \* 1/2017 Pennington ..... D12/181  
 D776,585 S \* 1/2017 Eriksson ..... D12/181  
 D777,167 S \* 1/2017 Wengreen ..... D14/447  
 2002/0057195 A1 \* 5/2002 Yamamura ..... B60K 31/0008  
 340/435  
 2003/0098786 A1 \* 5/2003 Bishop ..... B60Q 1/22  
 340/435  
 2006/0132942 A1 \* 6/2006 Matney ..... B60R 1/04  
 359/864  
 2013/0276597 A1 \* 10/2013 Ivinson ..... B25B 13/46  
 81/467  
 2014/0368375 A1 \* 12/2014 Baftiu ..... H01Q 17/00  
 342/70  
 2016/0347266 A1 \* 12/2016 Mathis ..... B60R 19/42

OTHER PUBLICATIONS

Door Shox, image post date Feb. 22, 2012, site visited Feb. 8, 2017, (online), <[https://www.tineye.com/search/8a1189f55a26772b9e56445d9f272c593d8e4f1f/?extension\\_ver=>](https://www.tineye.com/search/8a1189f55a26772b9e56445d9f272c593d8e4f1f/?extension_ver=>)>.\*

\* cited by examiner

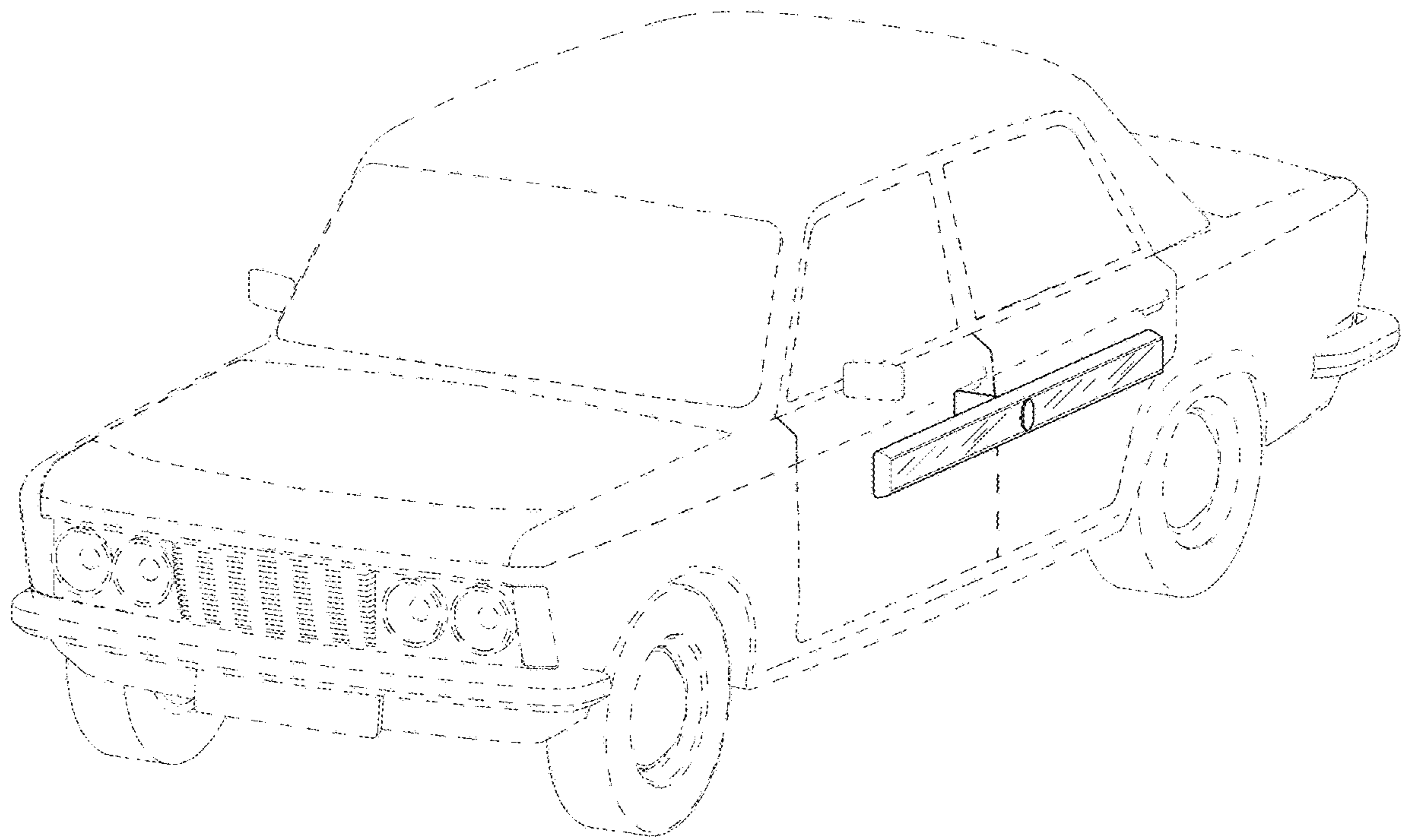


Figure 1



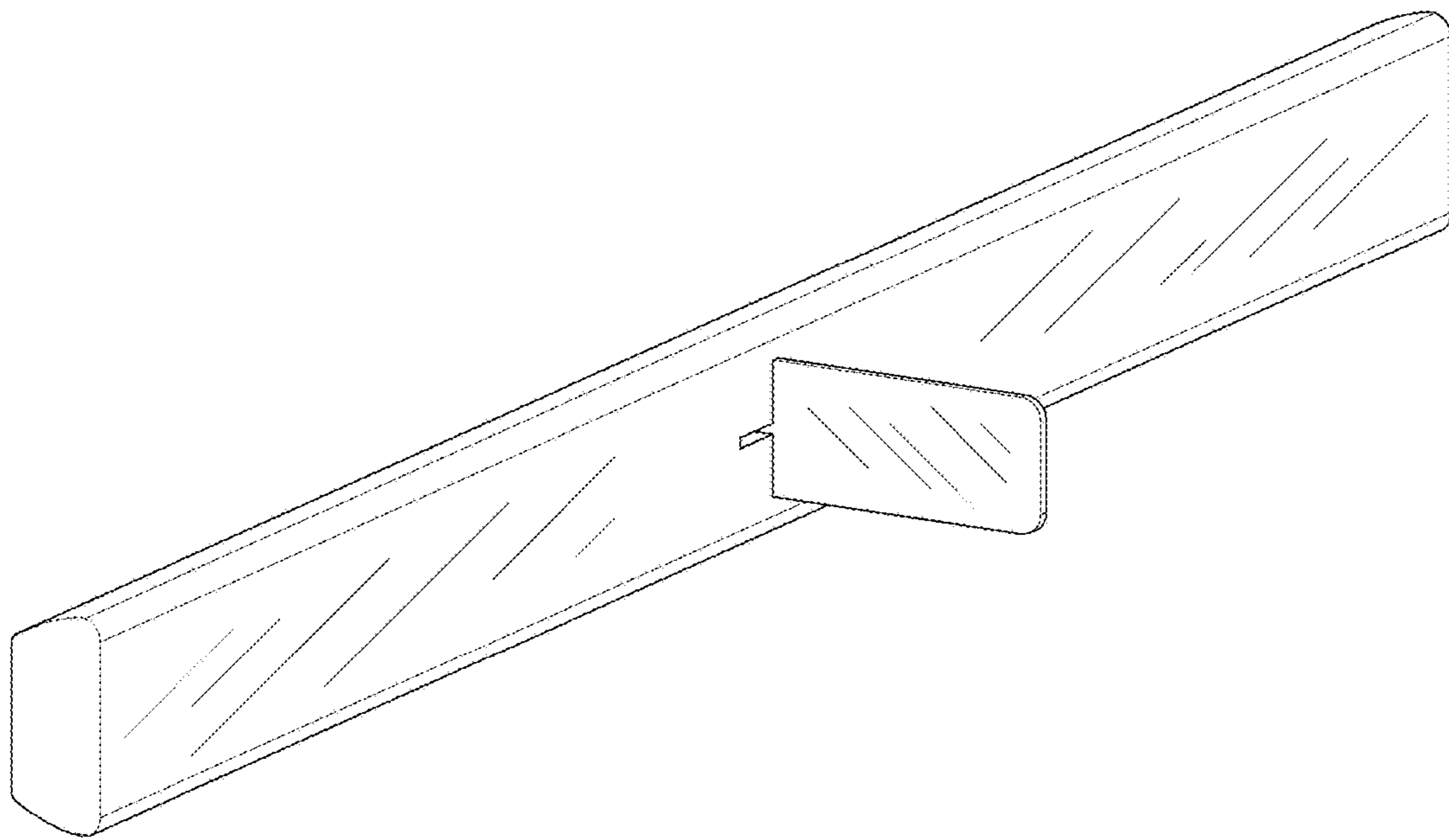


Figure 2

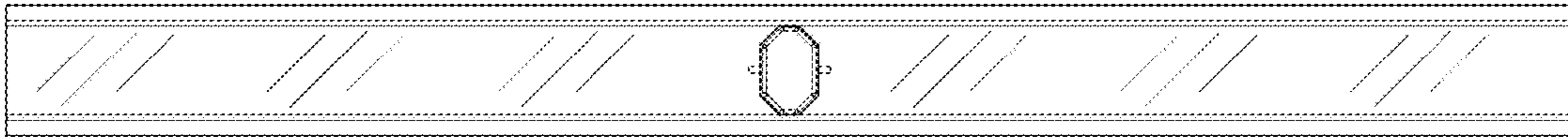


Figure 3

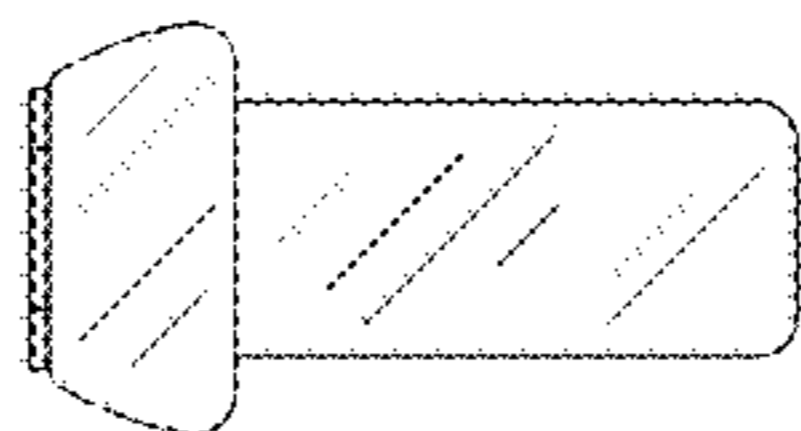


Figure 4

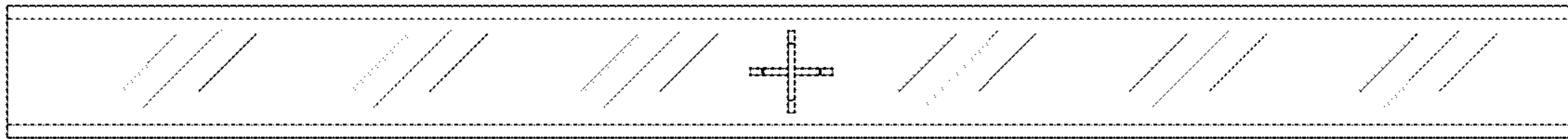


Figure 5

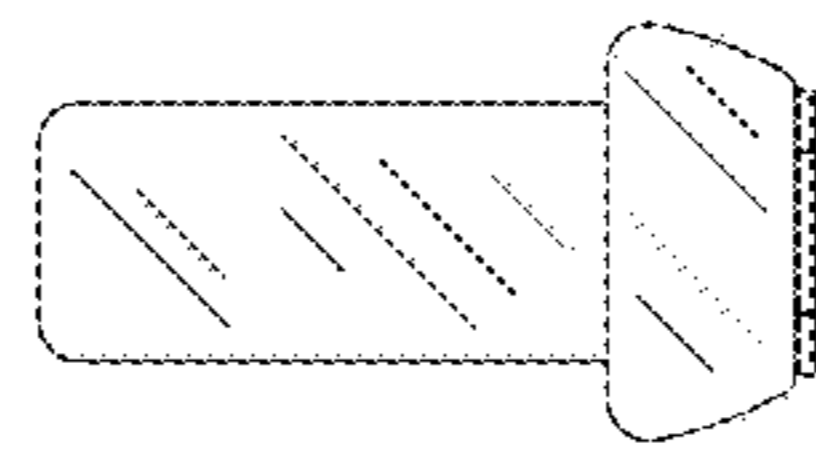


Figure 6

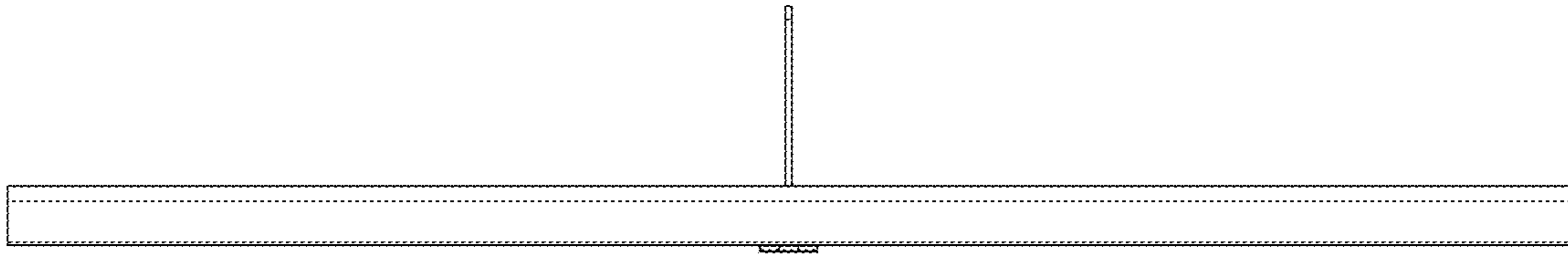


Figure 7

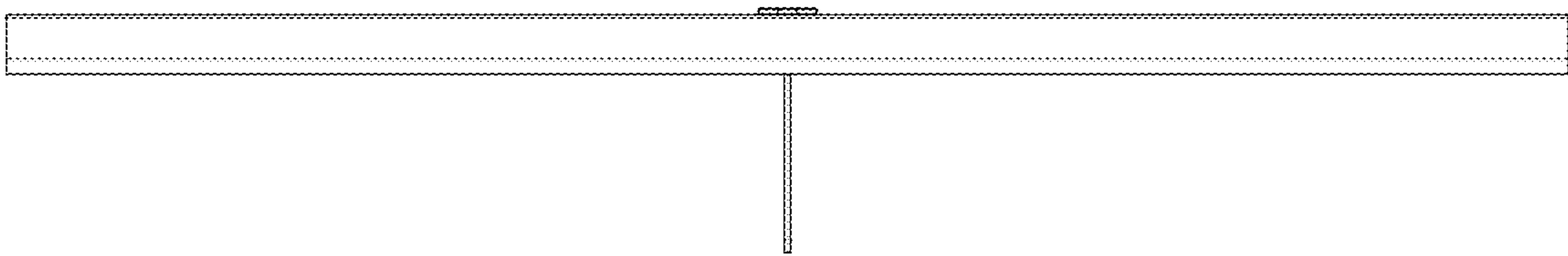


Figure 8