



US00D793326S

(12) **United States Design Patent**  
**Mimoso**

(10) **Patent No.:** **US D793,326 S**

(45) **Date of Patent:** **\*\* Aug. 1, 2017**

(54) **WINDSHIELD WIPER PROTECTOR**

(71) Applicant: **Mark Q. Mimoso**, Kingman, AZ (US)

(72) Inventor: **Mark Q. Mimoso**, Kingman, AZ (US)

(\*\*) Term: **15 Years**

(21) Appl. No.: **29/505,253**

(22) Filed: **Aug. 10, 2015**

(51) **LOC (10) Cl.** ..... **12-06**

(52) **U.S. Cl.**  
USPC ..... **D12/220**

(58) **Field of Classification Search**  
USPC ..... D12/219, 220  
CPC ..... B60S 2001/3815; B60S 1/4003; B60S  
1/3801

See application file for complete search history.

(56) **References Cited**

**U.S. PATENT DOCUMENTS**

D323,637 S *	2/1992	Dipple .....	D12/220
D350,723 S *	9/1994	Longazel .....	D12/220
D386,464 S *	11/1997	Simmons .....	D12/220
6,070,287 A	6/2000	Kornegay	
D471,505 S *	3/2003	Wang .....	D12/220
D577,324 S	9/2008	McCray	
D586,716 S	2/2009	Radfar	
8,383,213 B1	2/2013	Clark	
D702,175 S *	4/2014	Kim .....	D12/219
D704,618 S *	5/2014	Ehde .....	D12/219
D712,337 S *	9/2014	An .....	D12/219
D714,709 S *	10/2014	Bussard .....	D12/220

D716,714 S *	11/2014	Kim .....	D12/219
9,145,111 B2 *	9/2015	Lee .....	B60S 1/3801
D740,737 S *	10/2015	Hyun .....	D12/219
D765,501 S *	9/2016	Peers .....	D9/415
2011/0192511 A1	8/2011	Marrone	

\* cited by examiner

*Primary Examiner* — Katrina A Betton

(74) *Attorney, Agent, or Firm* — Suzanne Kikel

(57) **CLAIM**

The ornamental design for a windshield wiper protector, as shown and described.

**DESCRIPTION**

FIG. 1 is a perspective view of a windshield wiper protector installed on a windshield wiper.

FIG. 2 is a perspective view of the windshield wiper protector of FIG. 1 with the end cap removed.

FIG. 3 is a top plan view thereof.

FIG. 4 is a bottom plan view thereof.

FIG. 5 is a right side view thereof.

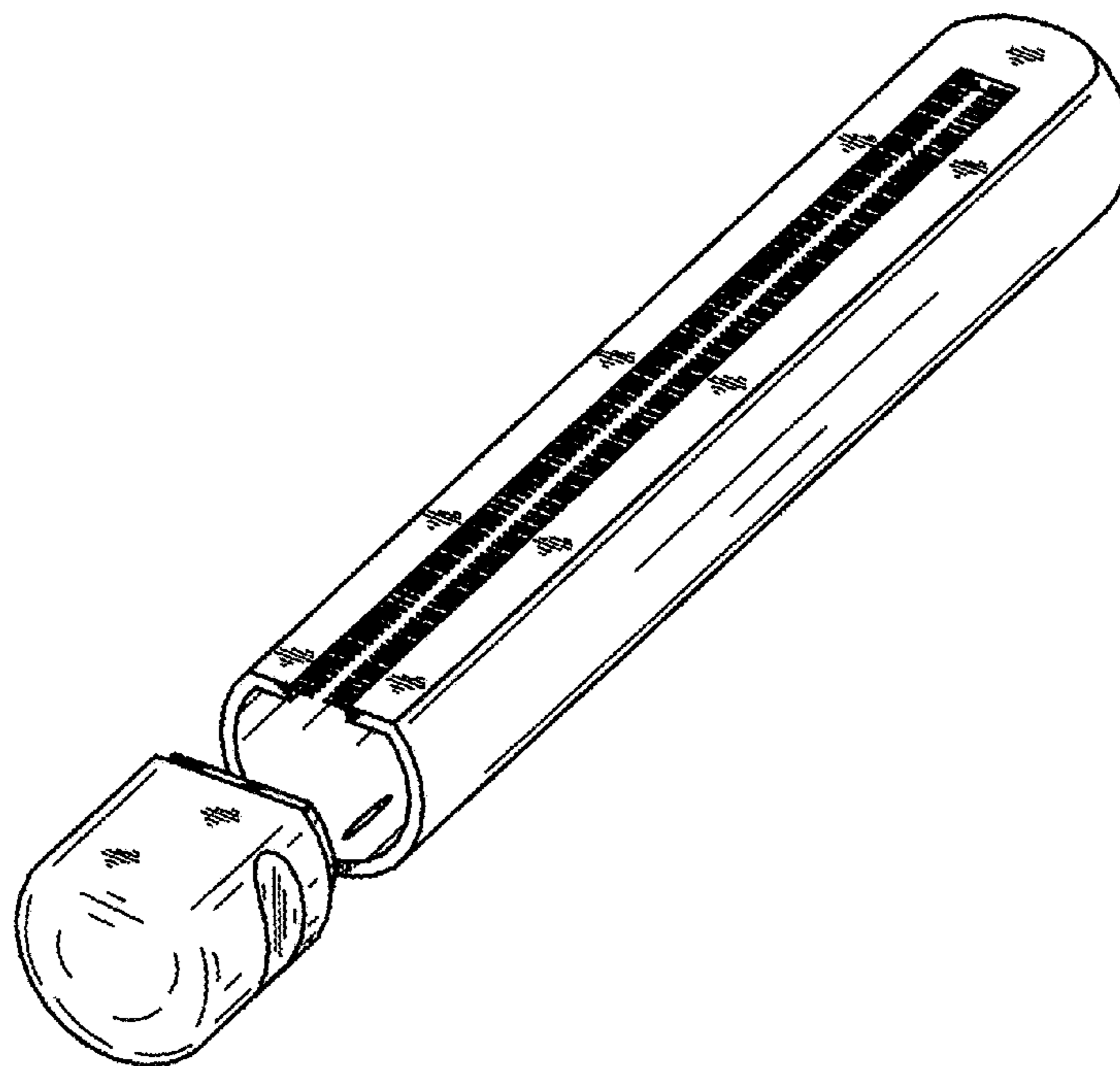
FIG. 6 is a left side view thereof.

FIG. 7 is a front view thereof; and,

FIG. 8 is a rear view thereof.

The broken lines showing a windshield wiper in FIG. 1 are included for the purpose of illustrating the environment of the article and form no part of the claimed design.

**1 Claim, 5 Drawing Sheets**



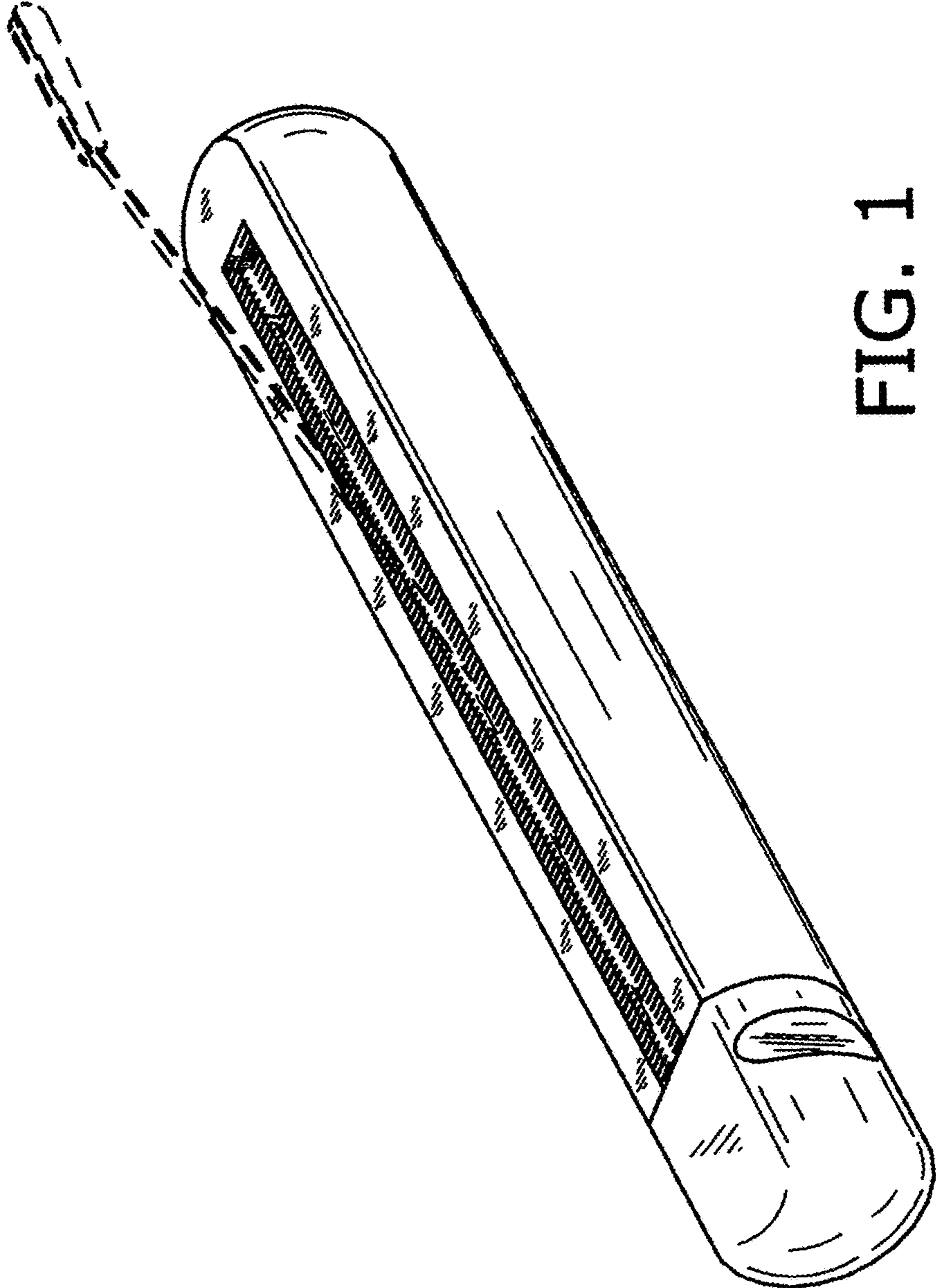


FIG. 1

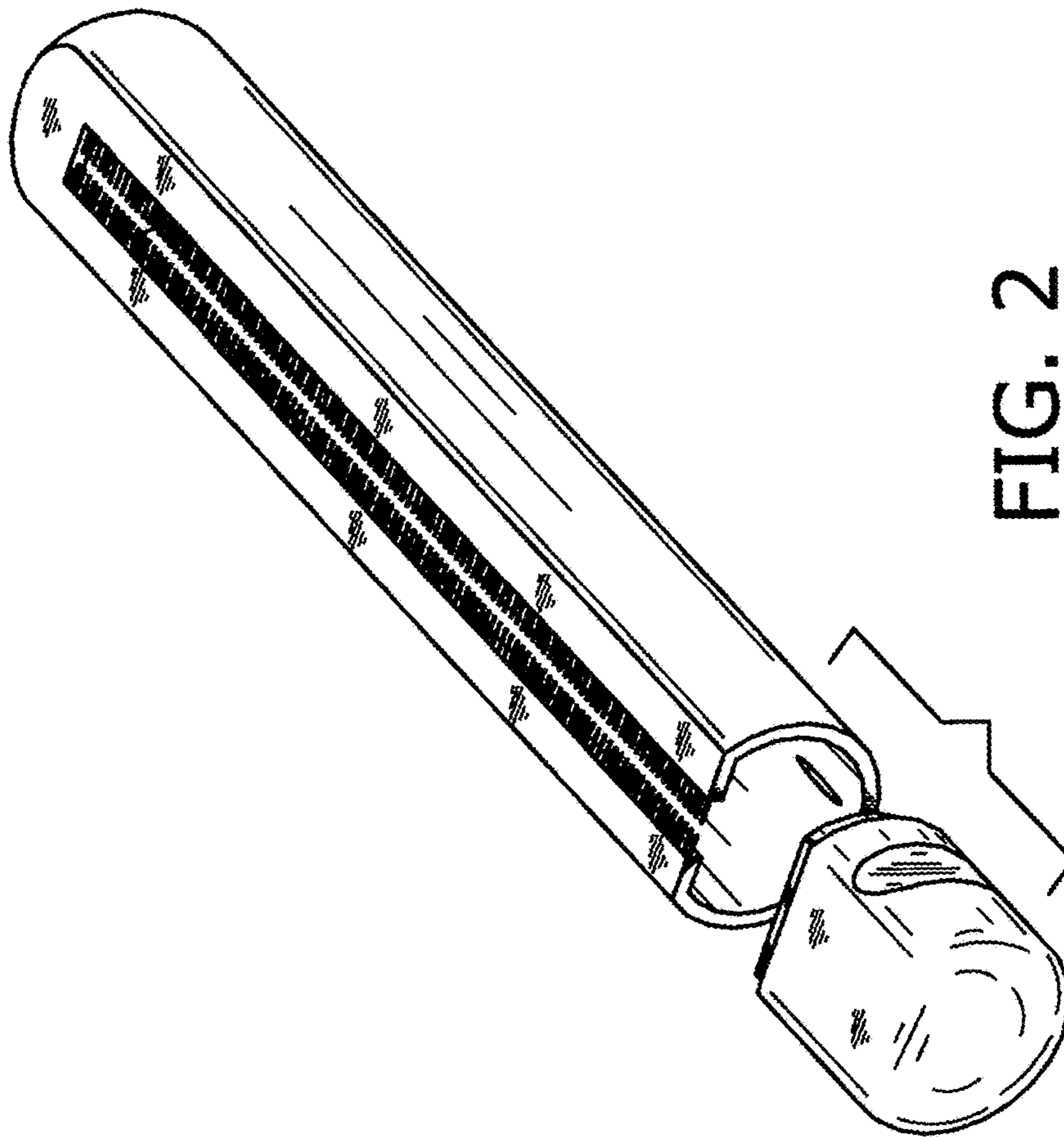


FIG. 2

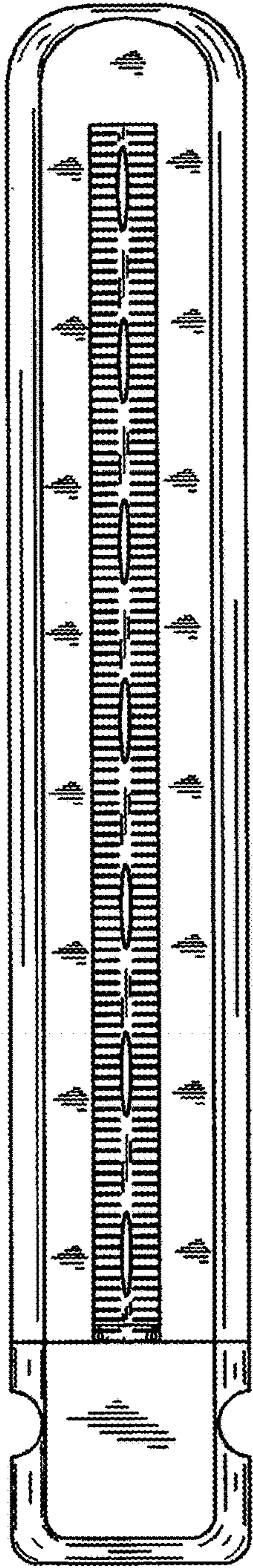


FIG. 3

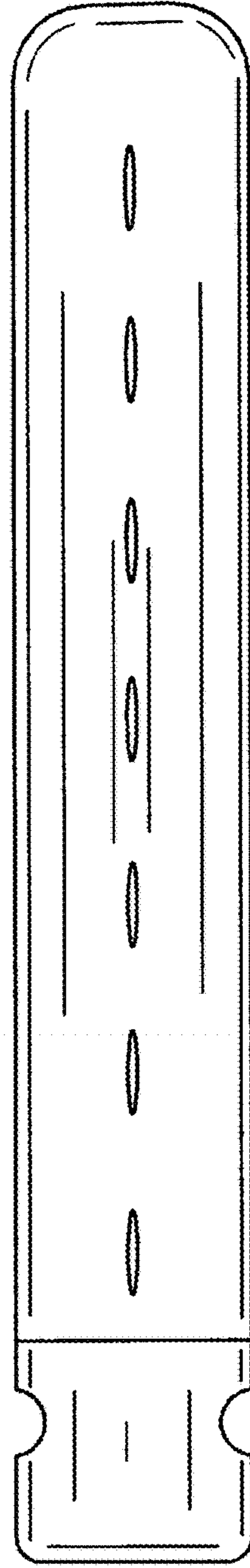


FIG. 4



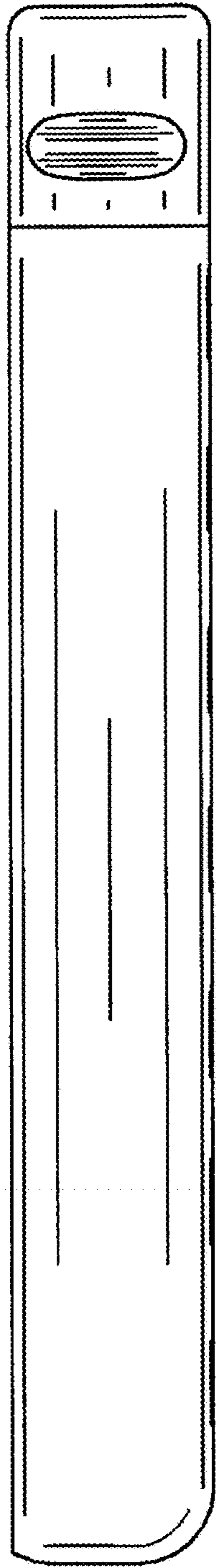


FIG. 5

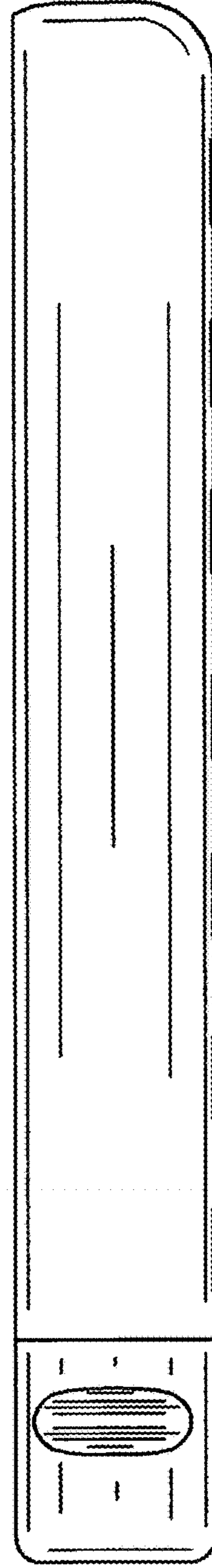


FIG. 6

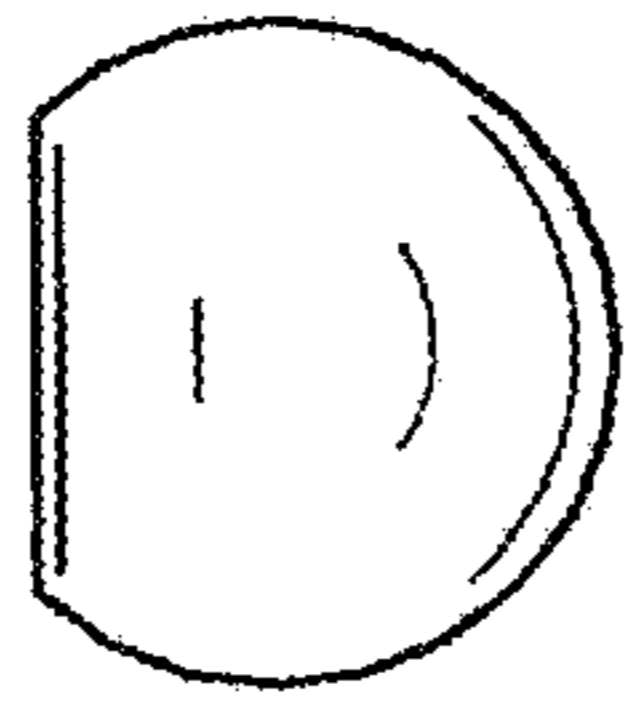


FIG. 7

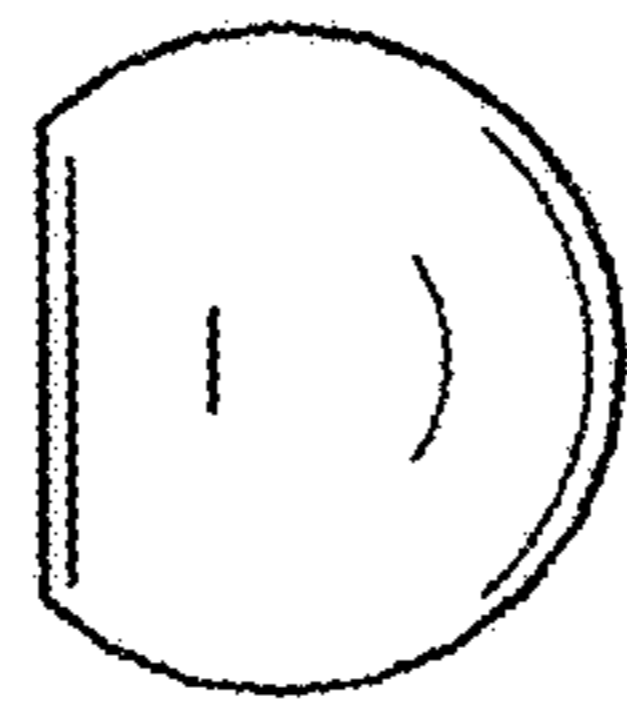


FIG. 8