



US00D793319S

(12) **United States Design Patent**
Namba et al.

(10) **Patent No.:** **US D793,319 S**

(45) **Date of Patent:** **** Aug. 1, 2017**

(54) **WHEEL**

(71) Applicant: **HONDA ACCESS CORP.**, Niiza-shi,
Saitama (JP)

(72) Inventors: **Daisuke Namba**, Niiza (JP); **Masaru Umehara**, Niiza (JP)

(73) Assignee: **HONDA ACCESS CORP.**, Niiza-shi
(JP)

(**) Term: **15 Years**

(21) Appl. No.: **29/573,855**

(22) Filed: **Aug. 10, 2016**

(51) **LOC (10) Cl.** **12-16**

(52) **U.S. Cl.**

USPC **D12/209**

(58) **Field of Classification Search**

USPC D12/204–213

CPC B60B 7/00; B60B 7/02; B60B 7/04; B60B
7/01; B60B 7/06; B60B 3/02; B60B 3/04;
B60B 3/06; B60B 3/10; B60B 1/00;
B60B 1/08; B60B 1/10; B60B 1/12

See application file for complete search history.

(56) **References Cited**

U.S. PATENT DOCUMENTS

D258,503 S *	3/1981	Seiple	D12/211
D392,611 S *	3/1998	Echazabal	D12/211
D407,056 S *	3/1999	Hodges	D12/211
D409,552 S *	5/1999	Chung	D12/211
D447,993 S *	9/2001	Neeper	D12/211
D451,463 S *	12/2001	Murkett	D12/209
D456,333 S *	4/2002	Pollmann	D12/211
D459,688 S	7/2002	Wiesinger	
D478,539 S	8/2003	Brown et al.	
D494,917 S *	8/2004	Pollmann	D12/211

D495,289 S	8/2004	Kataoka	
D499,371 S *	12/2004	Koch	D12/211
D506,719 S *	6/2005	Chen	D12/211
D535,241 S	1/2007	Kim	
D541,726 S *	5/2007	Musser	D12/211
D546,265 S *	7/2007	Young	D12/211
D593,019 S *	5/2009	Tirado	D12/209
D618,607 S *	6/2010	Hilpert	D12/211
D638,768 S *	5/2011	Nissl	D12/211
D655,659 S	3/2012	Schweizer	
D658,107 S *	4/2012	Pollmann	D12/211
D663,249 S	7/2012	Zhang	
D671,472 S	11/2012	Pollmann	
D697,859 S *	1/2014	Borkert	D12/211
D710,779 S *	8/2014	Zhang	D12/209
D720,677 S	1/2015	Diephuis et al.	
D720,679 S	1/2015	Garbas	
D727,823 S *	4/2015	Rueckheim	D12/209
D730,800 S	6/2015	Behmer et al.	
D734,237 S	7/2015	Juergens et al.	
D751,015 S *	3/2016	Mahoney	D12/209

* cited by examiner

Primary Examiner — Stacia Cadmus

(74) *Attorney, Agent, or Firm* — Westerman, Hattori,
Daniels & Adrian, LLP

(57) **CLAIM**

The ornamental design for a wheel, as shown and described.

DESCRIPTION

FIG. 1 is a front perspective view of a wheel;
FIG. 2 is a rear perspective view thereof;
FIG. 3 is a front view thereof;
FIG. 4 is a rear view thereof;
FIG. 5 is a top plan view thereof;
FIG. 6 is a bottom plan view thereof;
FIG. 7 is a left side view thereof; and,
FIG. 8 is a right side view thereof.

1 Claim, 4 Drawing Sheets

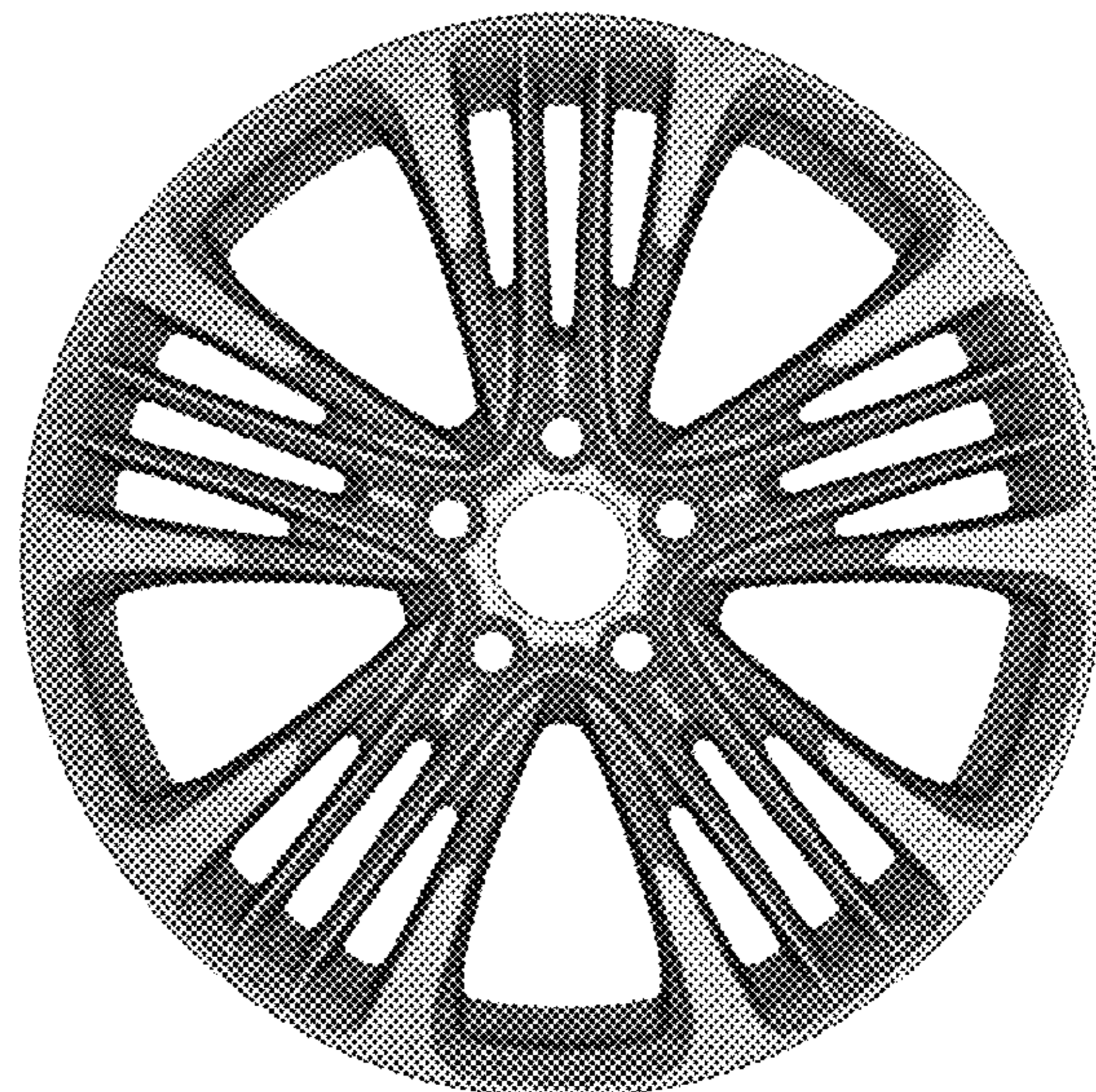
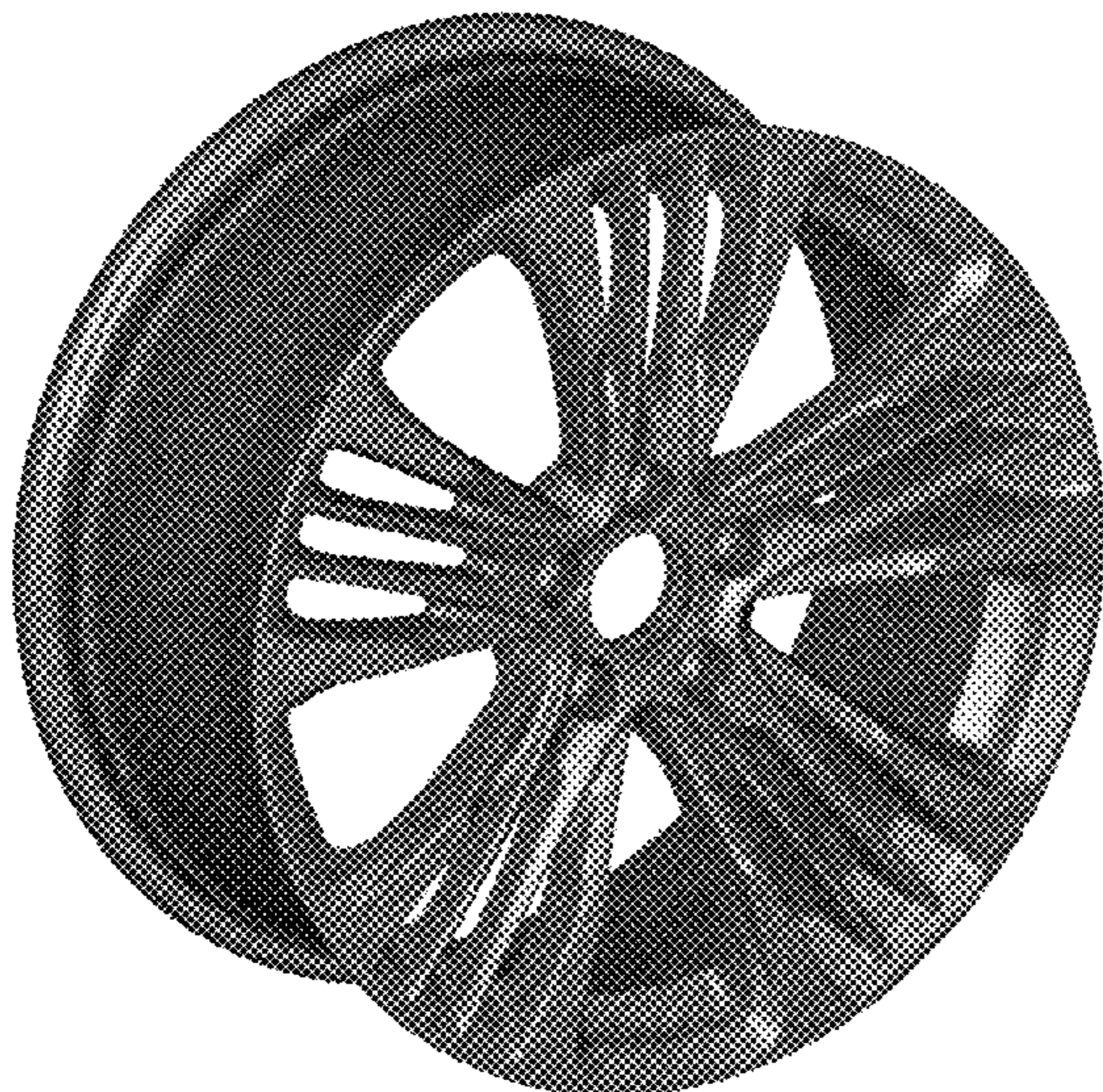




FIG. 1

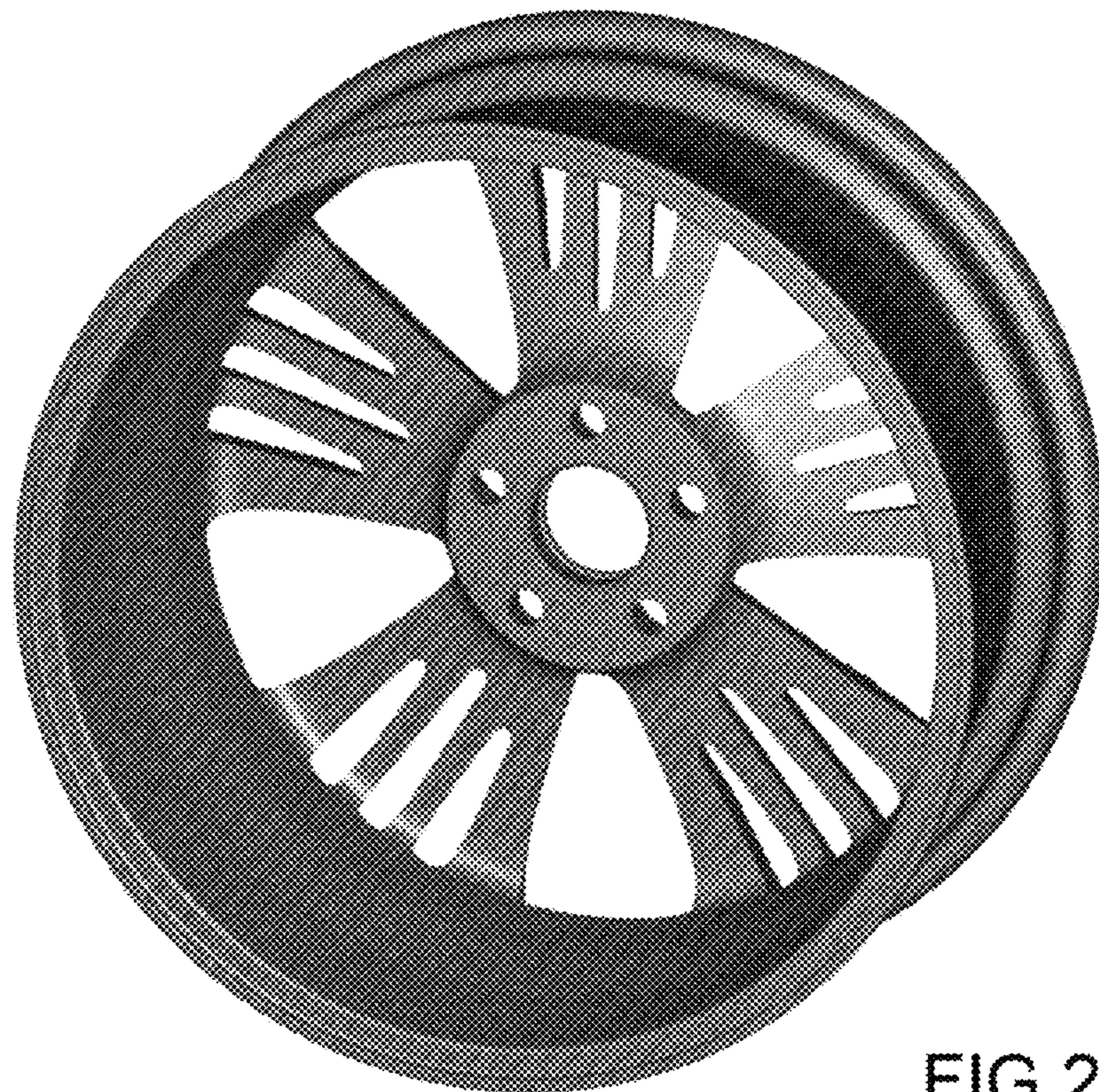


FIG. 2

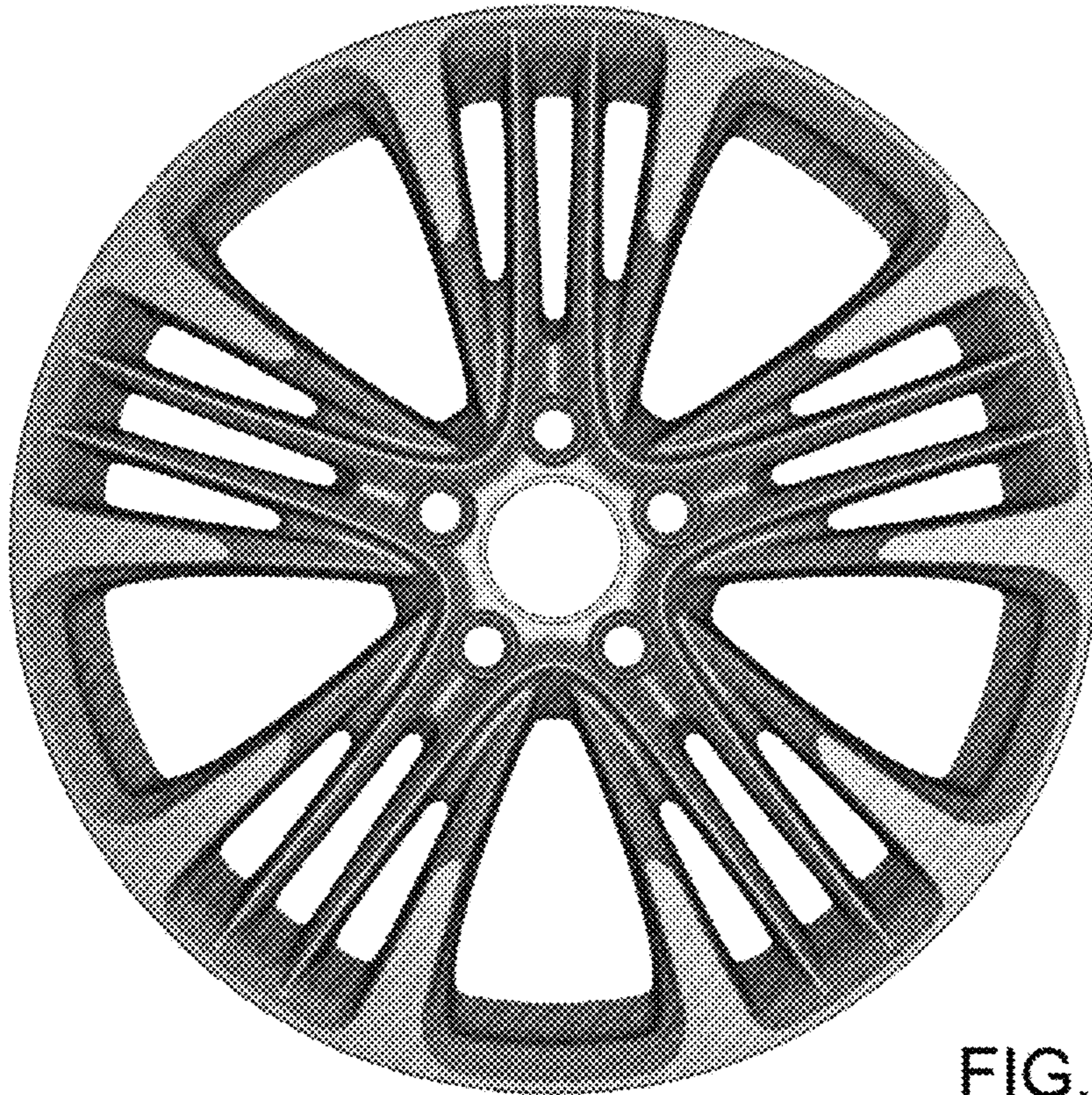


FIG. 3

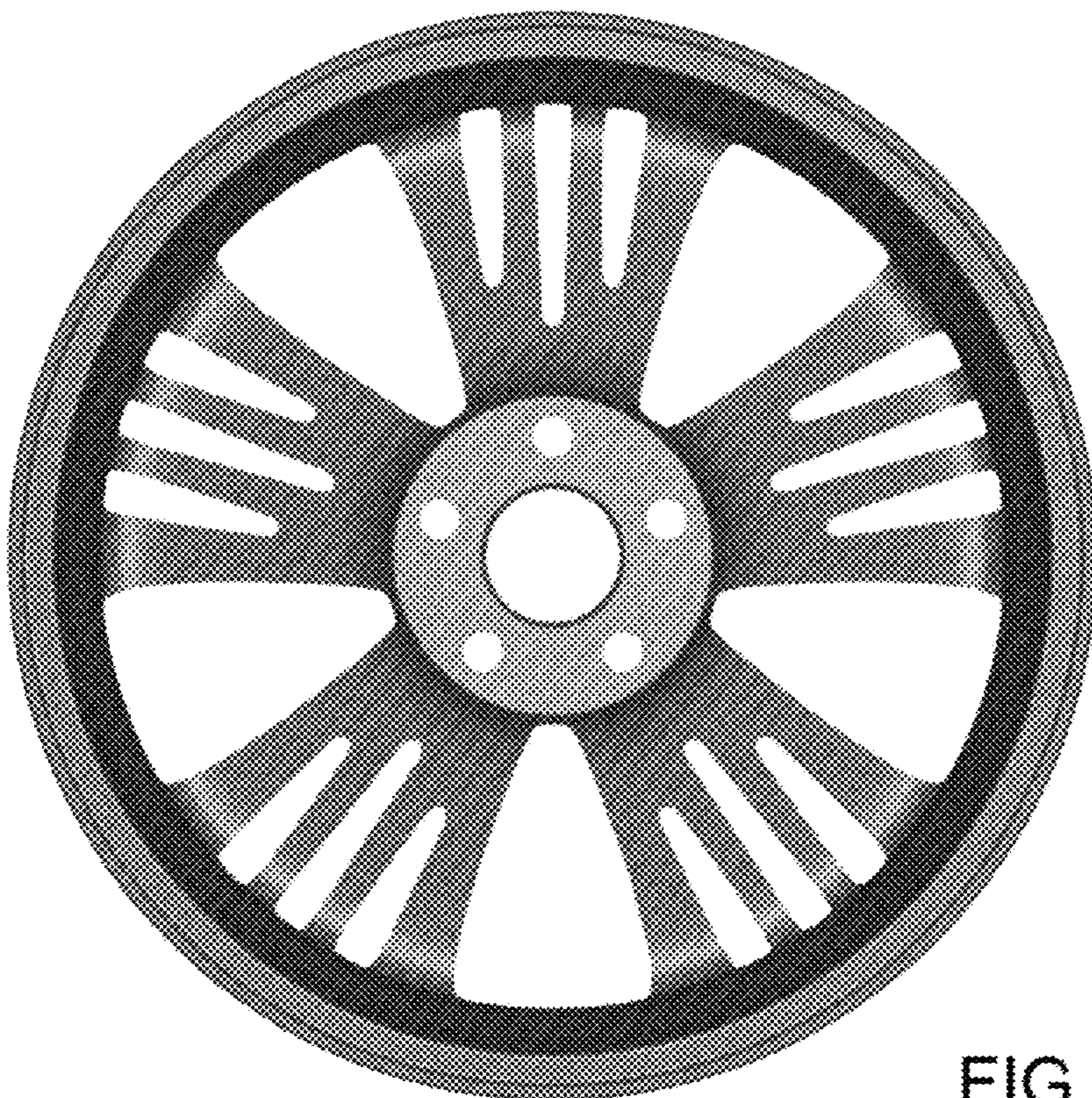


FIG. 4

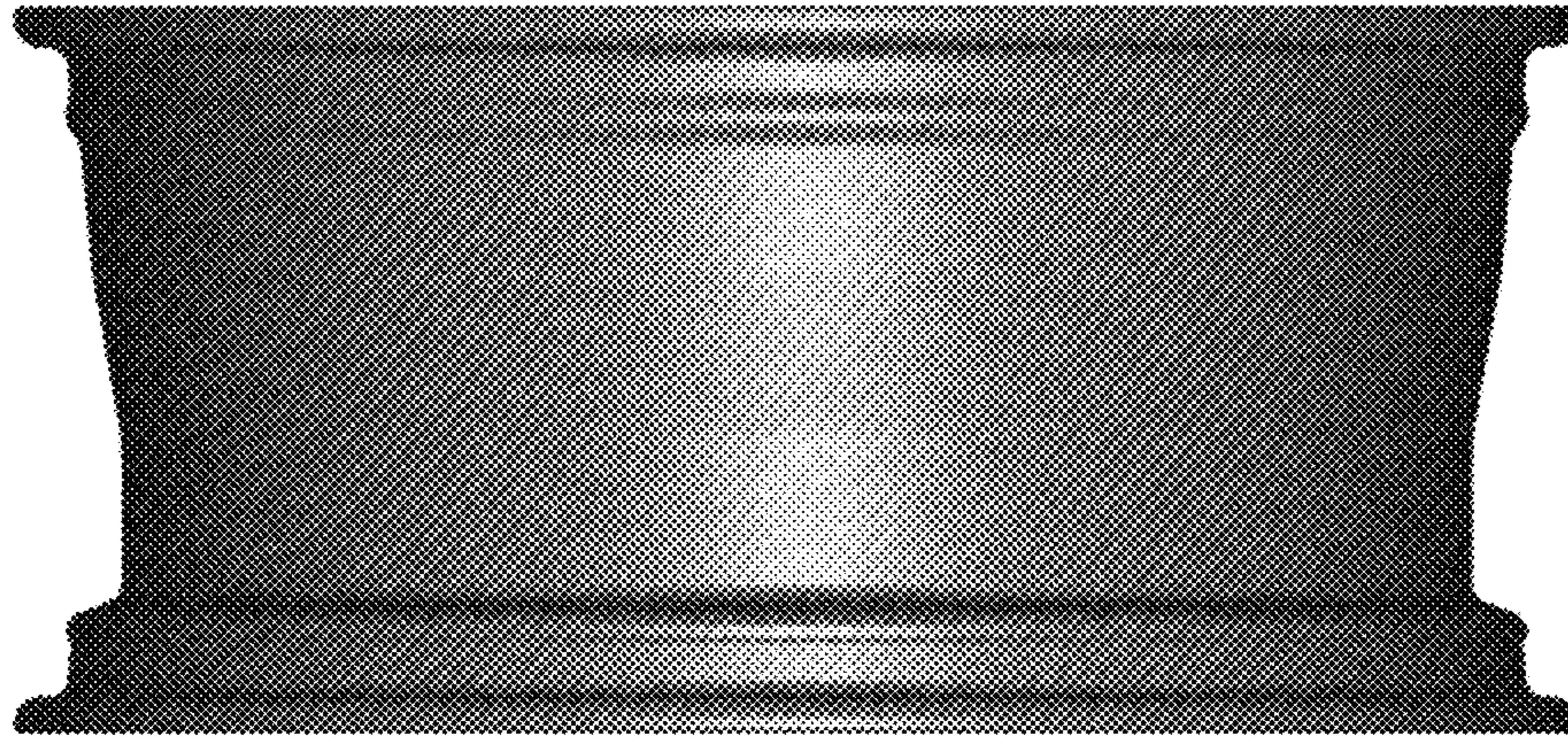


FIG. 5

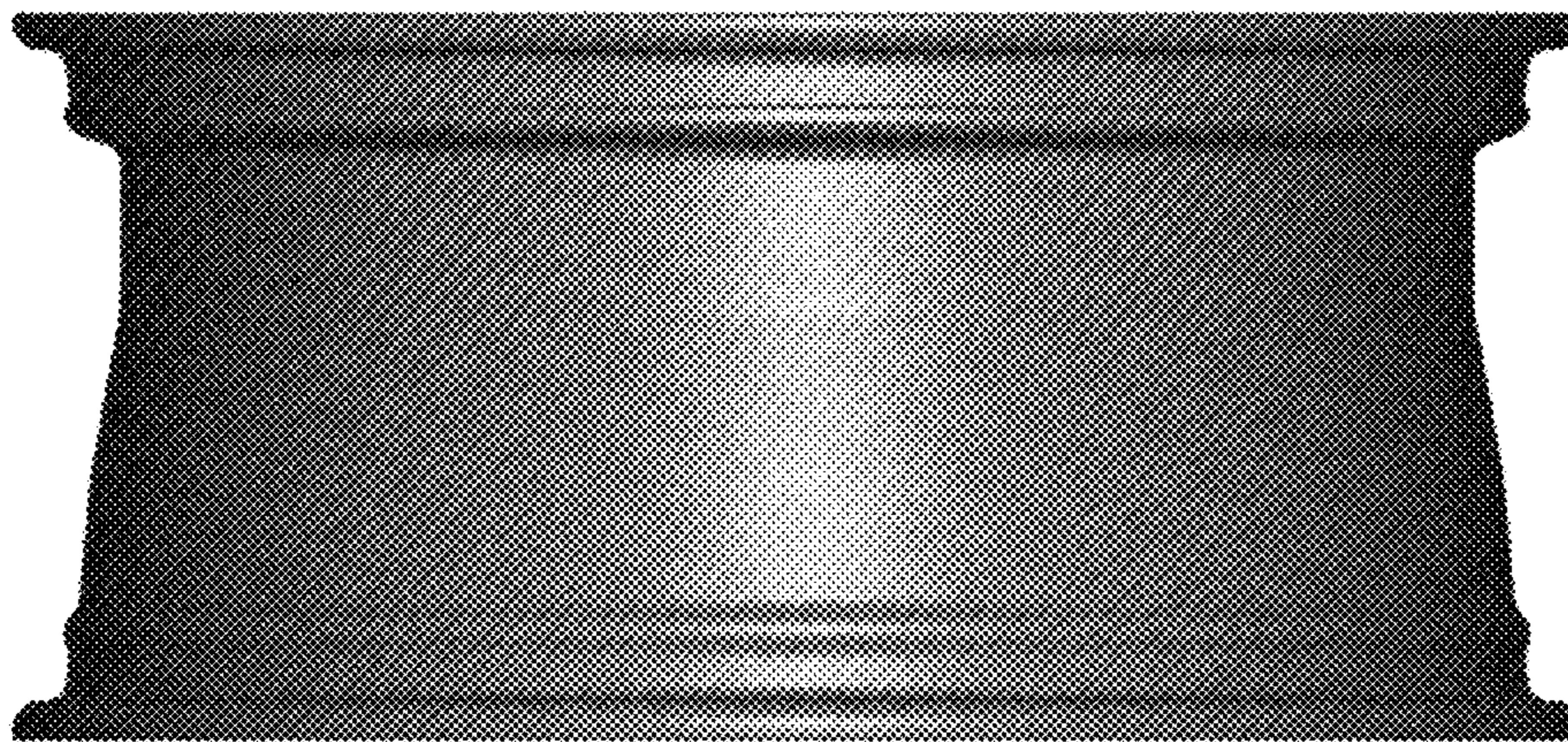


FIG. 6

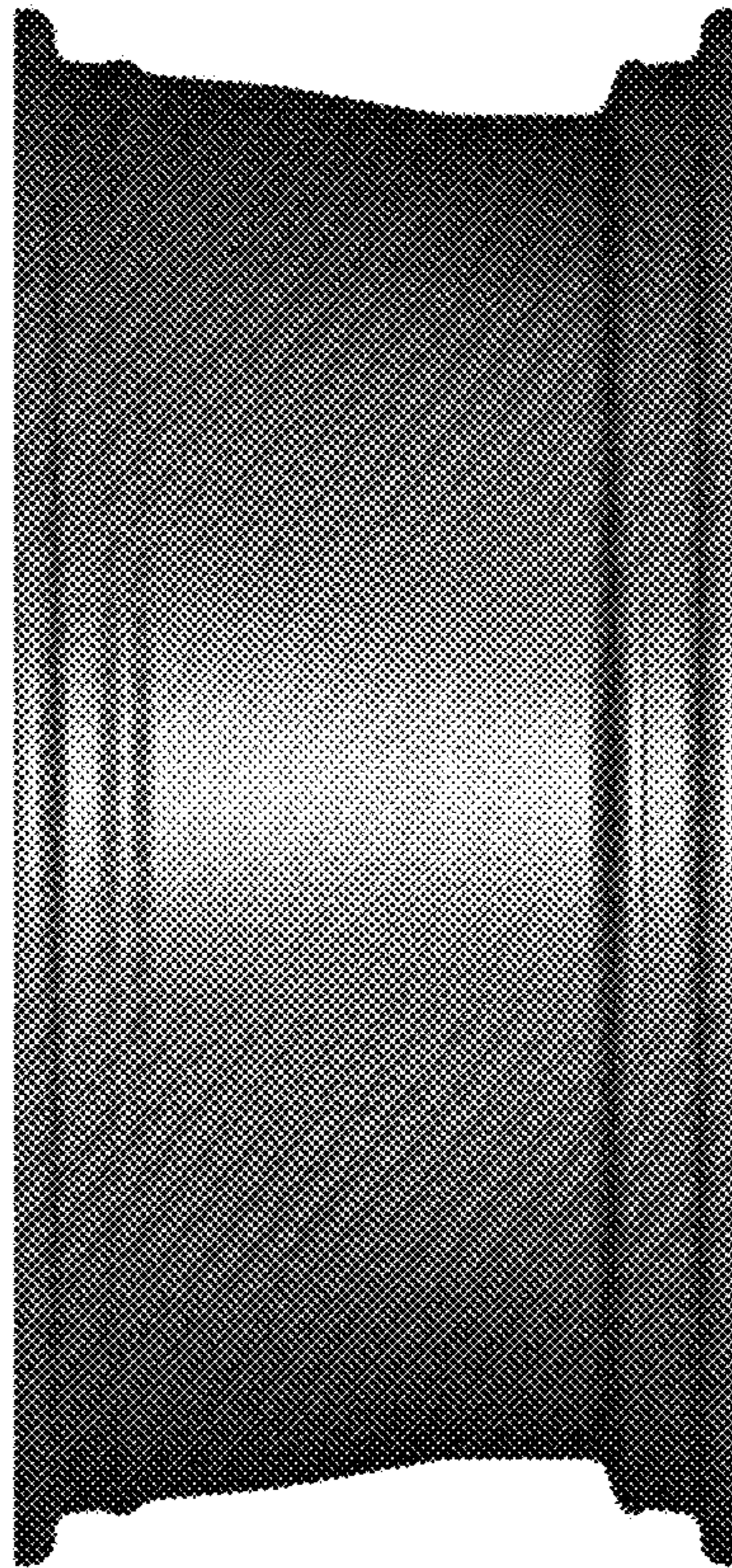


FIG.7

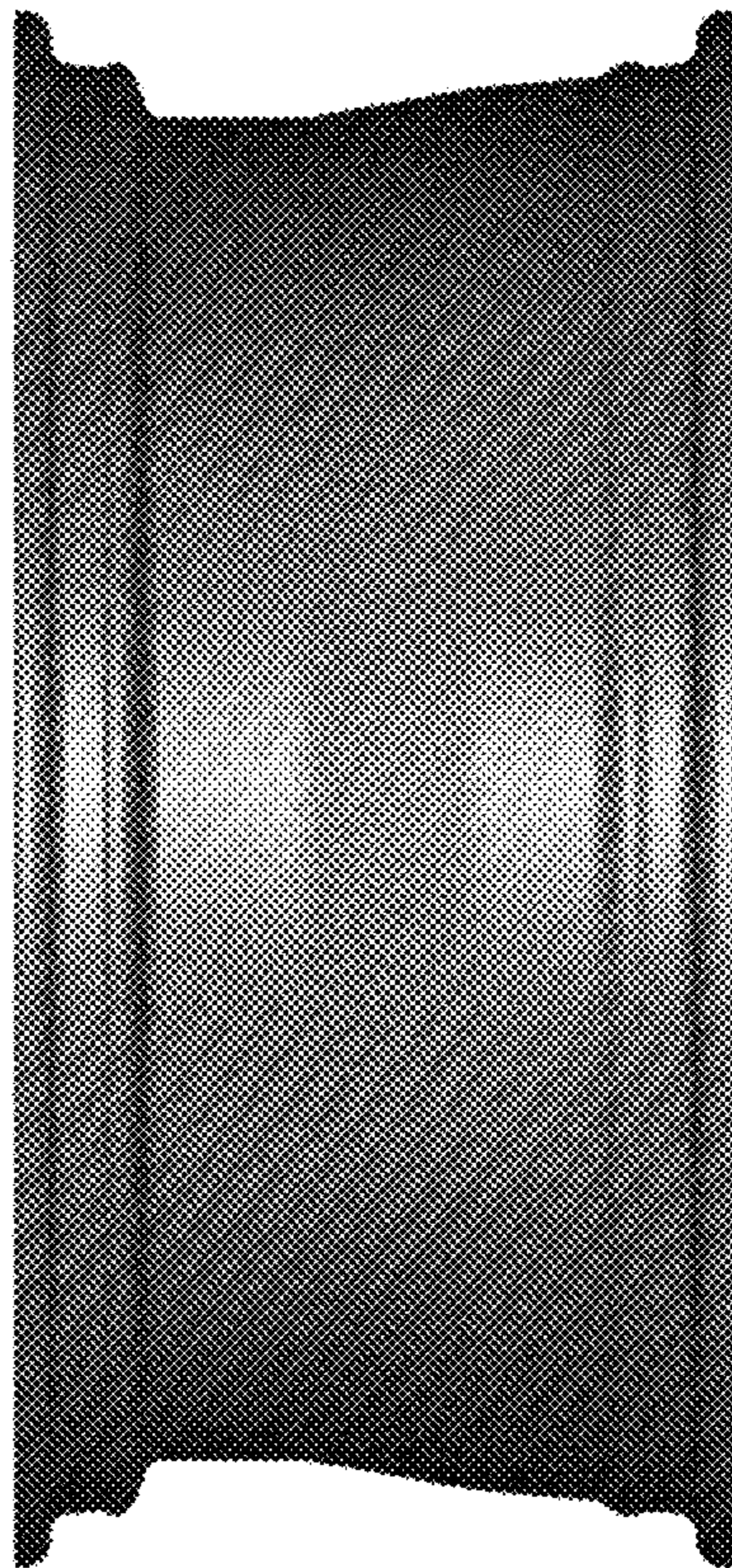


FIG.8