



US00D793315S

(12) **United States Design Patent**
Niemiec et al.

(10) **Patent No.:** **US D793,315 S**

(45) **Date of Patent:** **** Aug. 1, 2017**

(54) **VEHICLE INTERIOR**

(71) Applicant: **Ford Global Technologies, LLC,**
Dearborn, MI (US)

(72) Inventors: **Ryan G. Niemiec,** Livonia, MI (US);
David Woodhouse, Troy, MI (US); **Soo Y. Kang-Morales,** Northville, MI (US);
Ryan Blodi, Farmington Hills, MI (US);
Chacko Abraham, Detroit, MI (US);
Christopher Young, Birmingham, MI (US)

(73) Assignee: **Ford Global Technologies, LLC,**
Dearborn, MI (US)

(**) Term: **15 Years**

(21) Appl. No.: **29/558,967**

(22) Filed: **Mar. 23, 2016**

(51) **LOC (10) Cl.** **12-08**

(52) **U.S. Cl.**
USPC **D12/195**

(58) **Field of Classification Search**
USPC D12/195, 193, 414, 190, 196; D15/17,
D15/28; D10/46, 98, 102-103;
D8/302-303
CPC B60R 13/02; B60R 13/0243; B60J 5/04;
B60N 2/466; B60N 2/4693
See application file for complete search history.

(56) **References Cited**

U.S. PATENT DOCUMENTS

D554,033 S * 10/2007 Hill D12/192
D577,644 S * 9/2008 Wyszogrod D12/195

D630,987 S * 1/2011 Edwards D12/195
D632,237 S * 2/2011 Green D12/195
D666,544 S * 9/2012 Tsay D12/195
D693,754 S * 11/2013 Balko D12/195
D718,694 S * 12/2014 Karacabey D12/195
D764,991 S * 8/2016 Woodhouse D12/195
D770,349 S * 11/2016 Ahn D12/195
2002/0158448 A1* 10/2002 Okonkwo B60K 37/00
280/728.2
2006/0154028 A1* 7/2006 Dooley B29C 45/14508
428/138
2010/0078954 A1* 4/2010 Liu B60N 2/4686
296/24.34

* cited by examiner

Primary Examiner — Katrina A Betton

(74) *Attorney, Agent, or Firm* — Damian Porcari

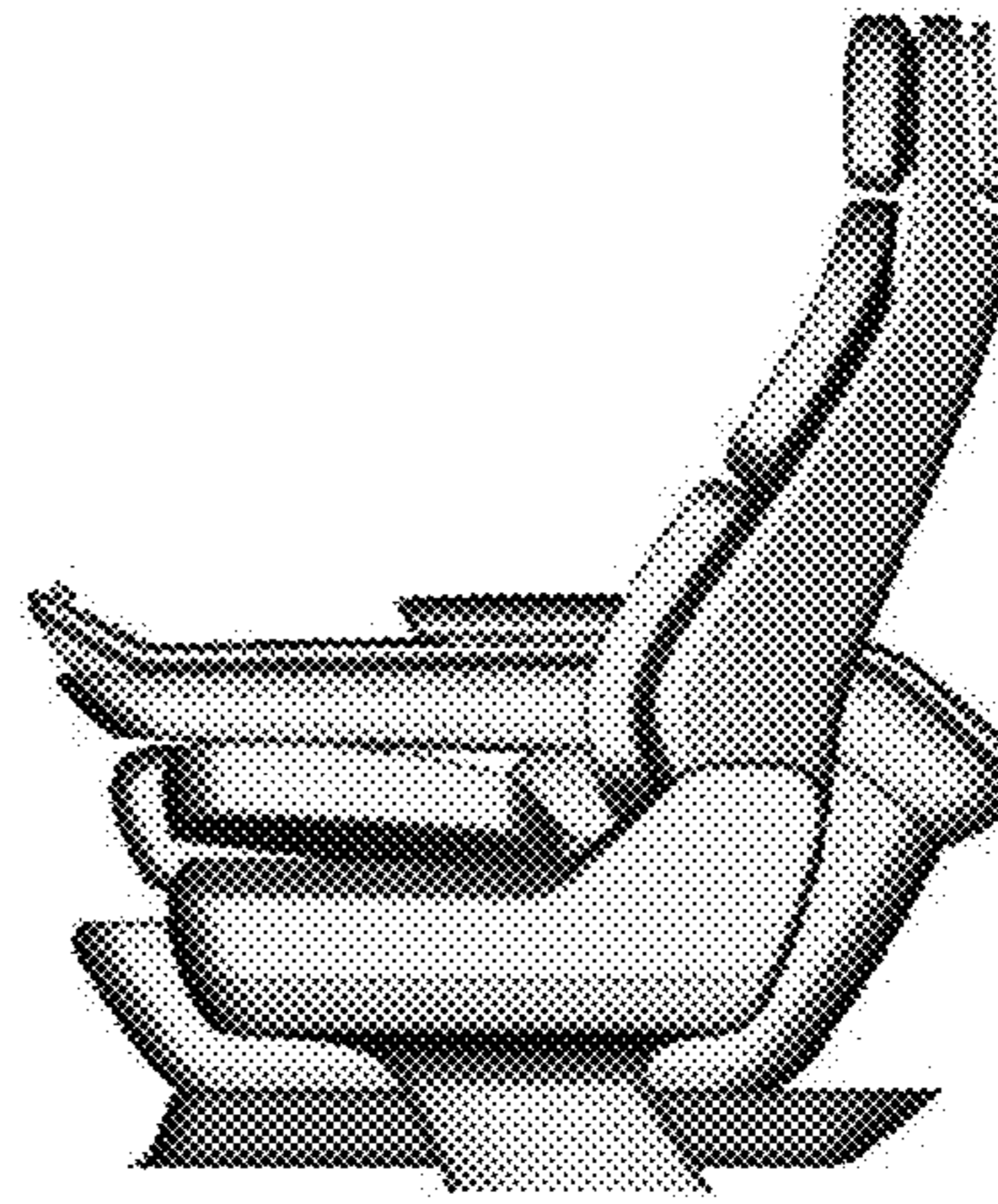
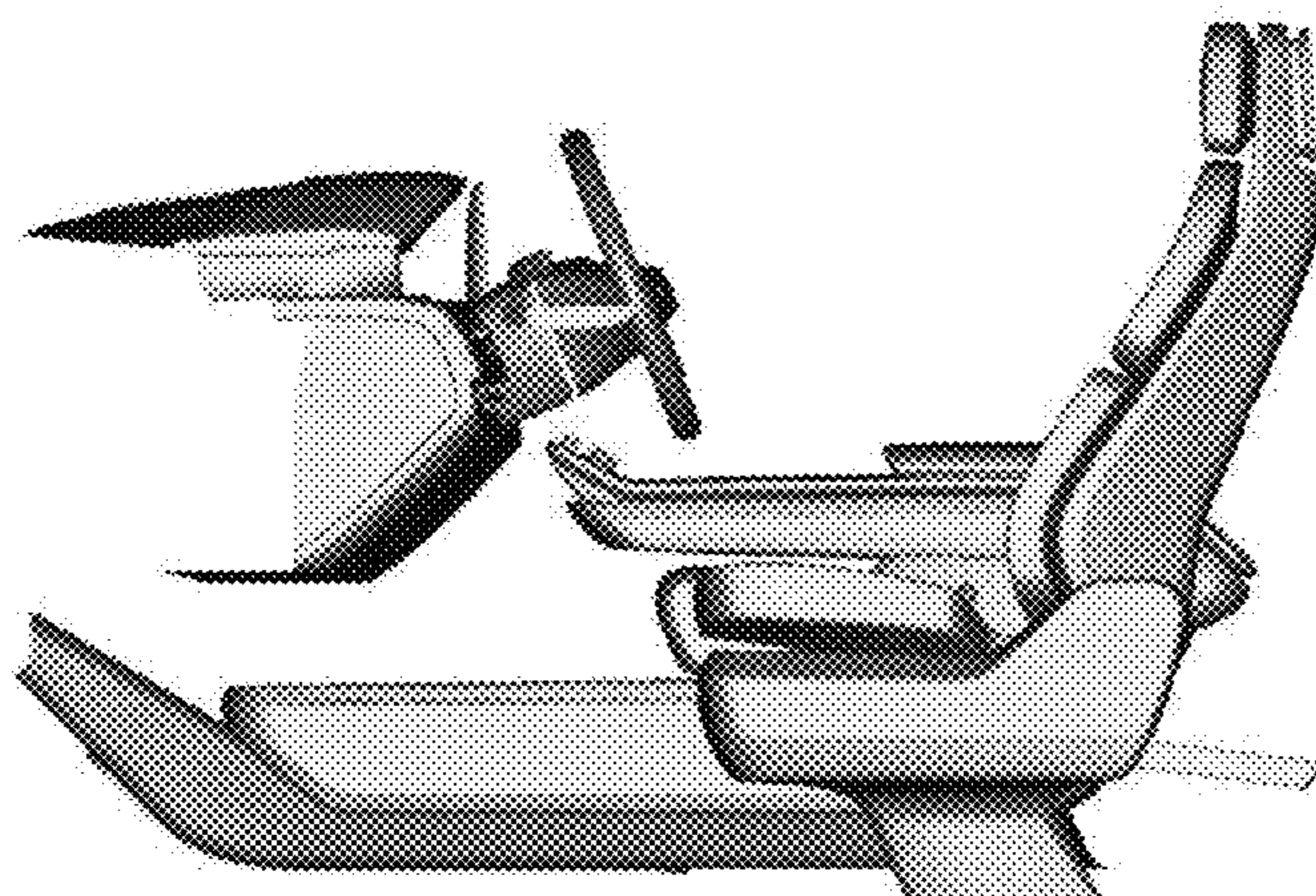
(57) **CLAIM**

The ornamental design for a vehicle interior, as shown and described.

DESCRIPTION

FIG. 1 is a left side view of a vehicle interior;
FIG. 2 is an upper rear perspective view thereof;
FIG. 3 is a rear view thereof;
FIG. 4 is a front view thereof, taken between the console and the first row of seats;
FIG. 5 is a left rear perspective view thereof;
FIG. 6 is a left front perspective view thereof;
FIG. 7 is a top plan view thereof, the instrument panel being removed for clarity;
FIG. 8 is a top left front perspective view thereof, the instrument panel being removed for clarity; and,
FIG. 9 is a right side perspective view thereof, the instrument panel being removed for clarity.

1 Claim, 9 Drawing Sheets



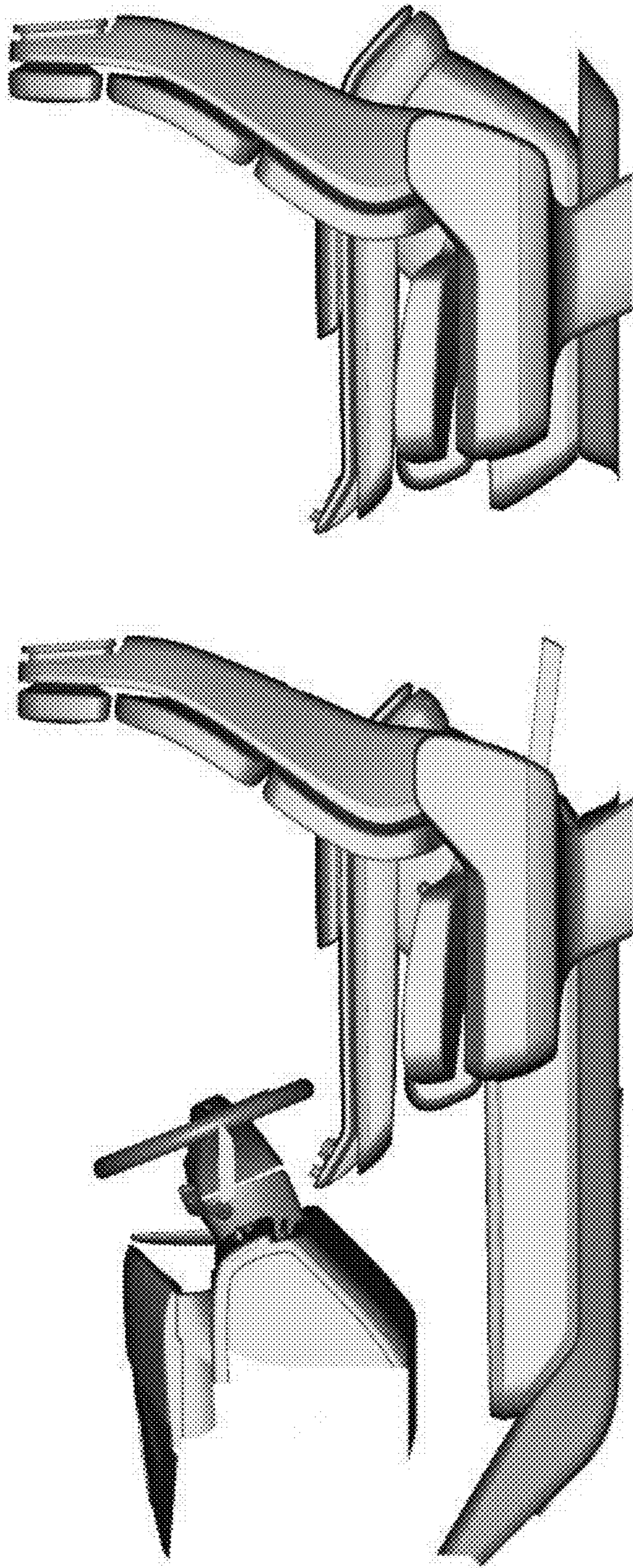


Figure 1

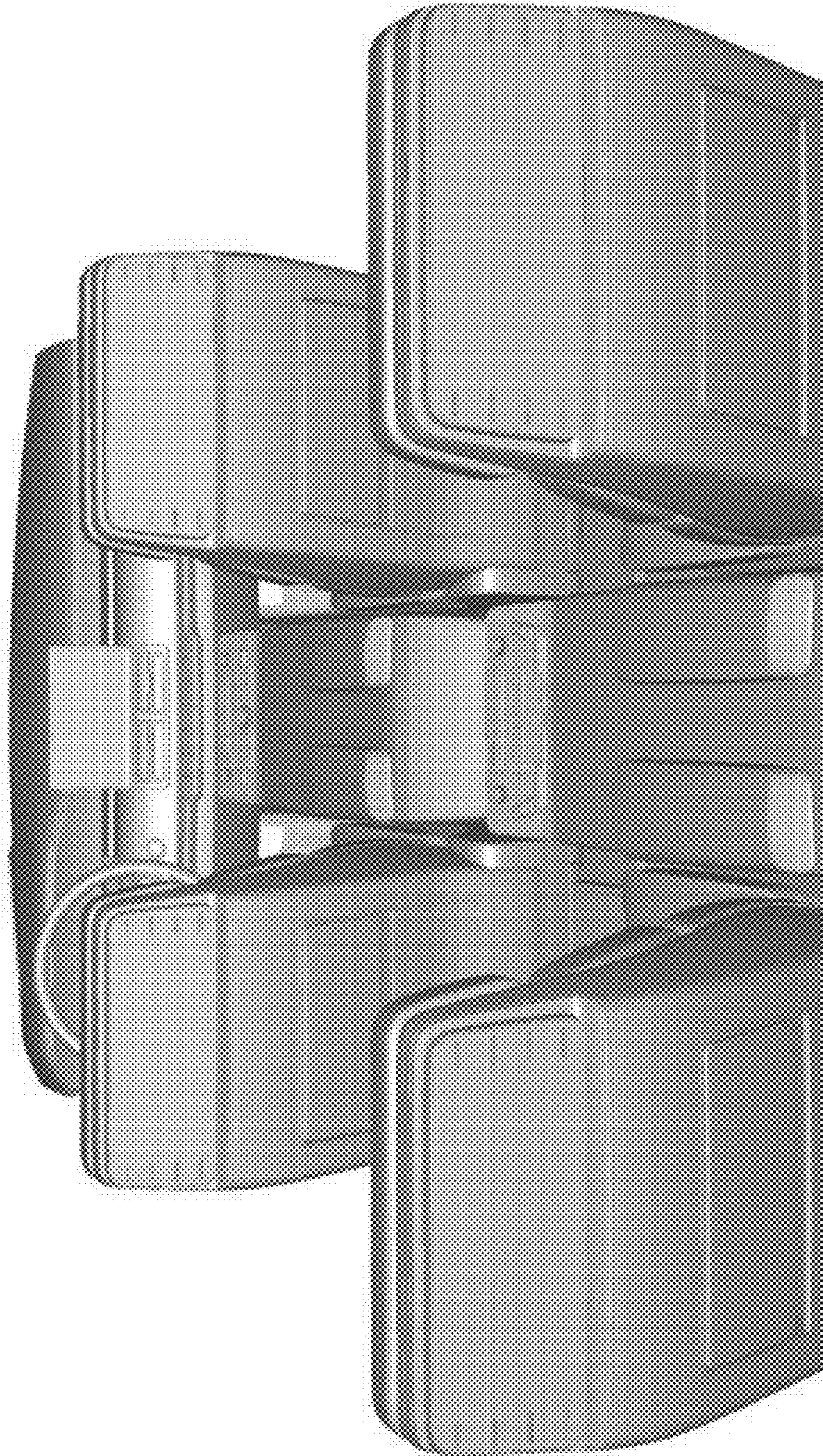


Figure 2

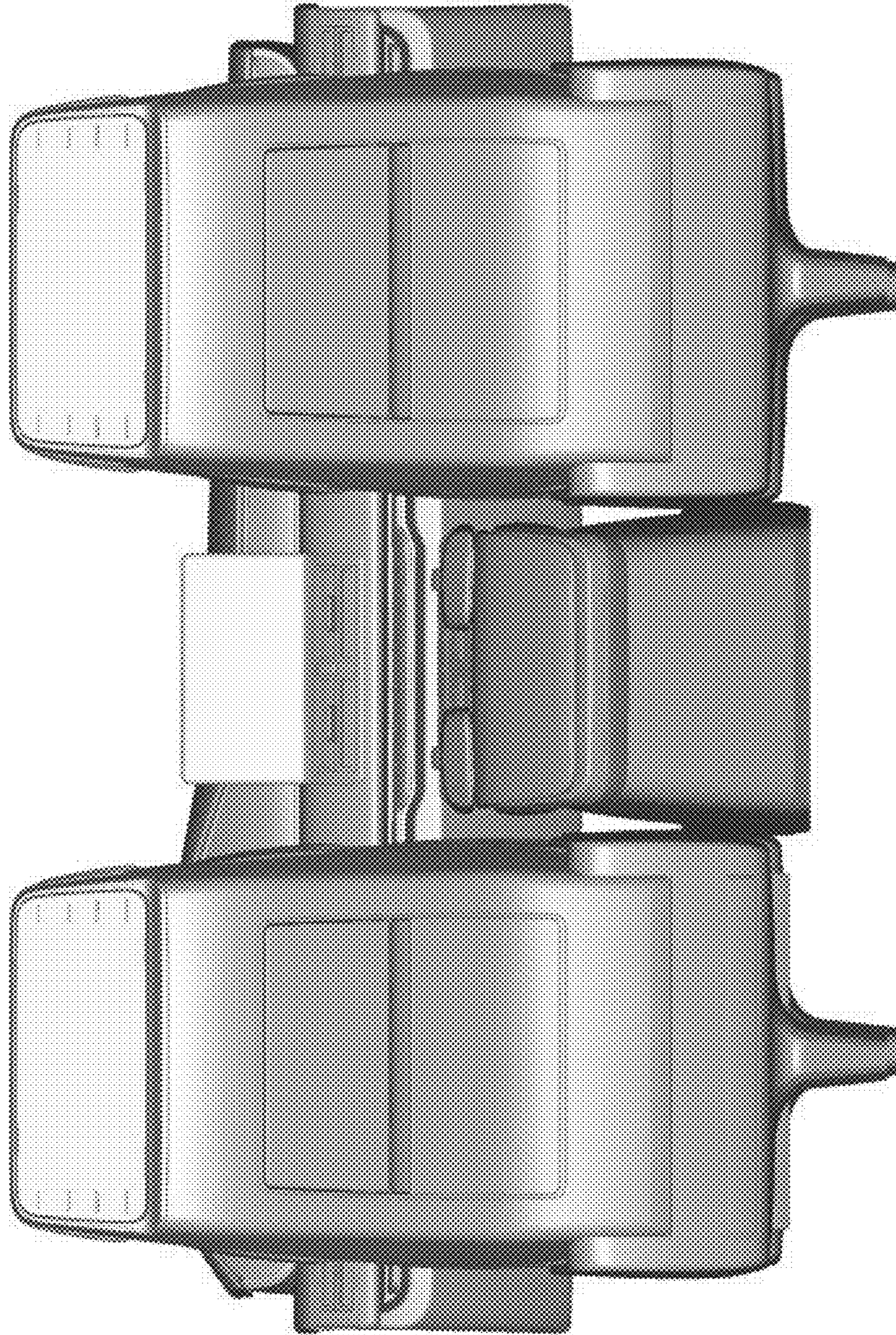


Figure 3

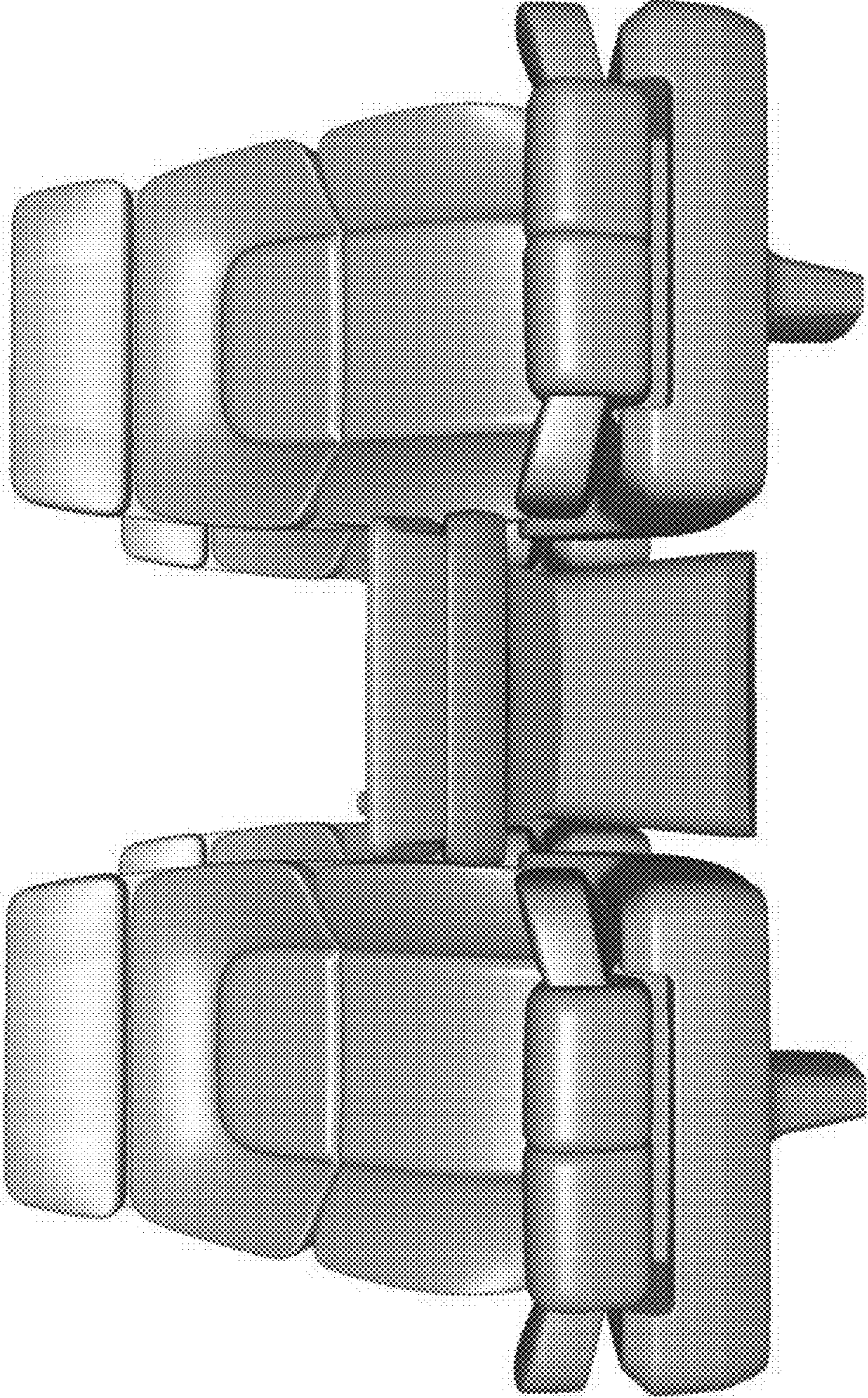


Figure 4

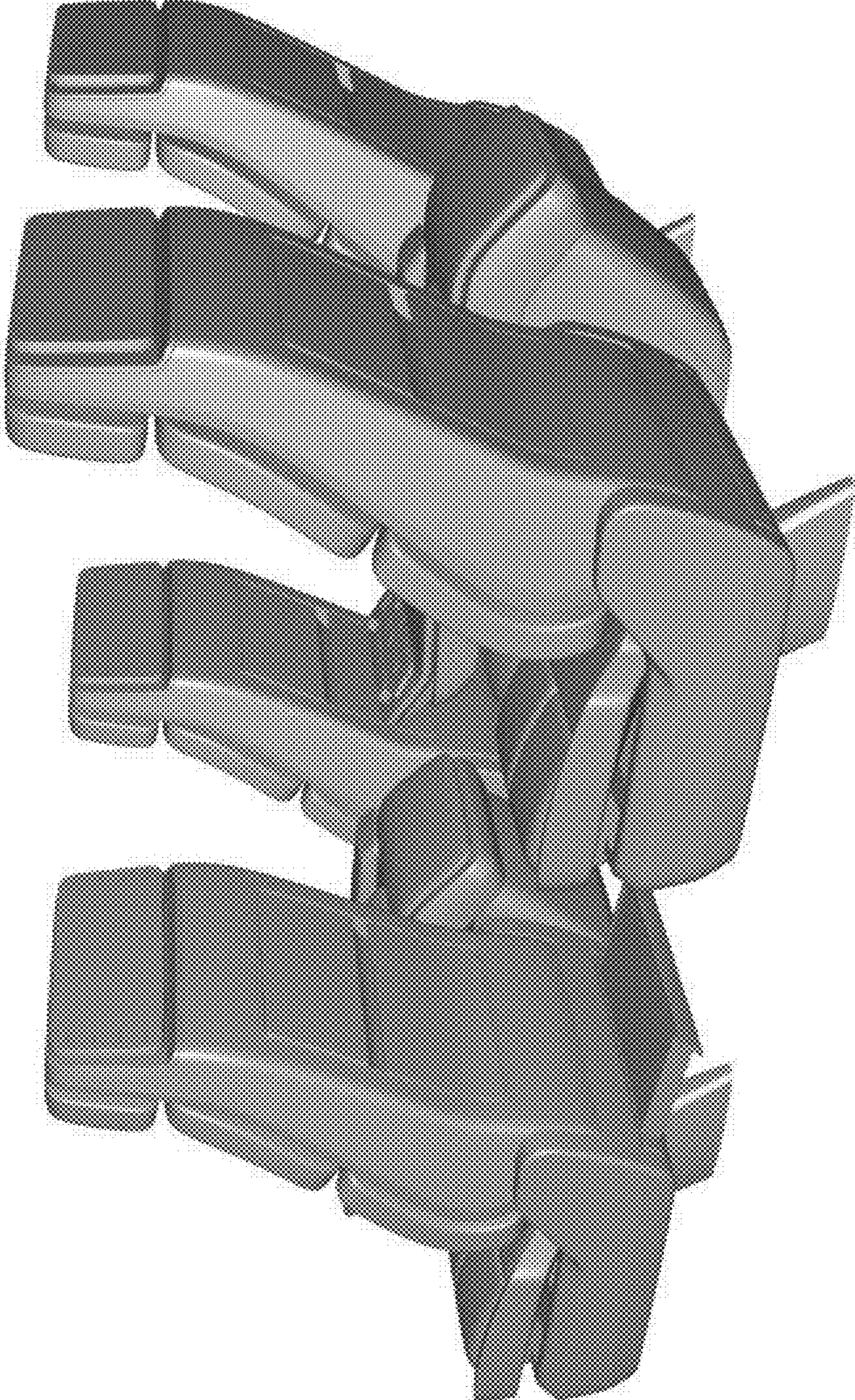


Figure 5

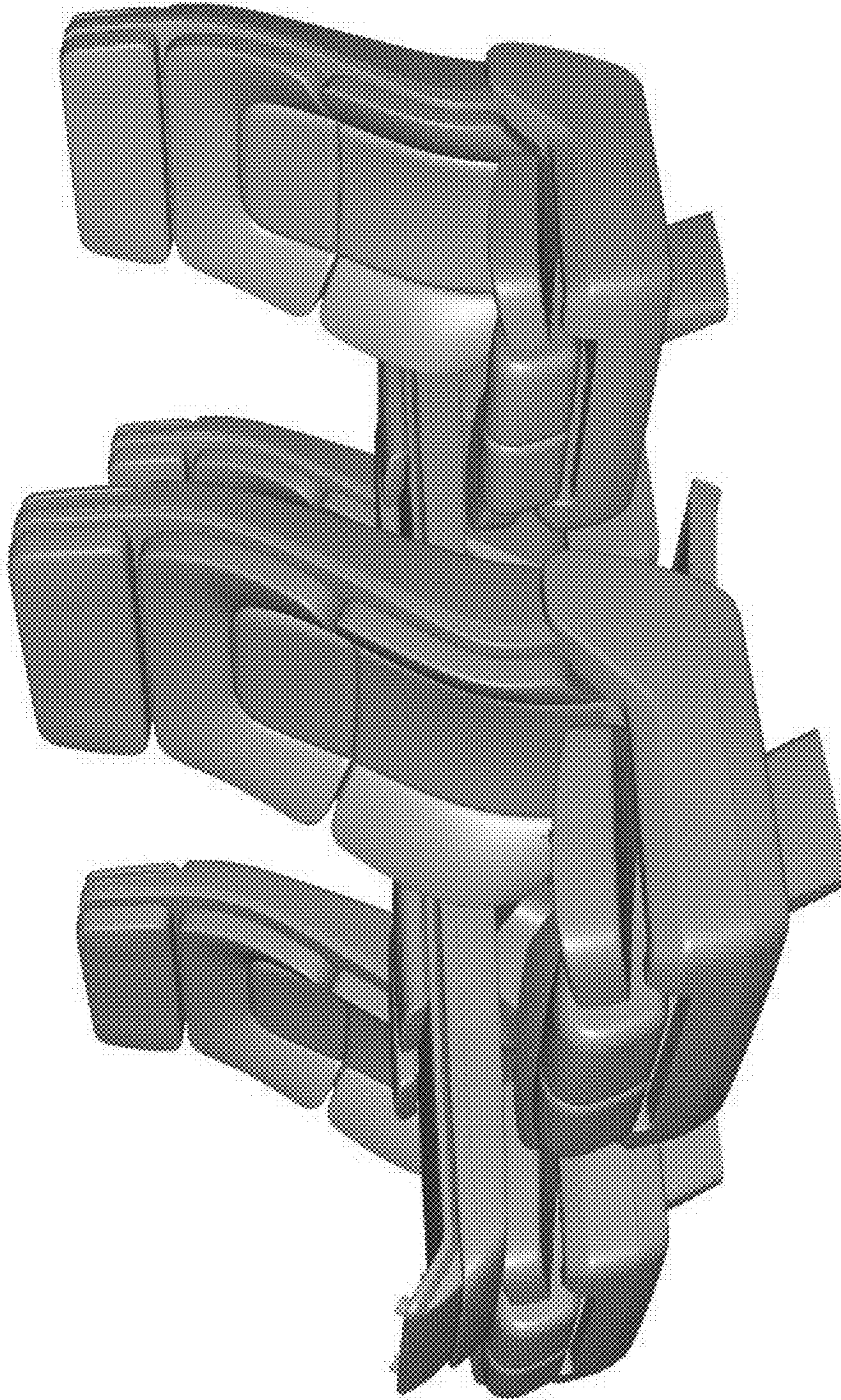


Figure 6

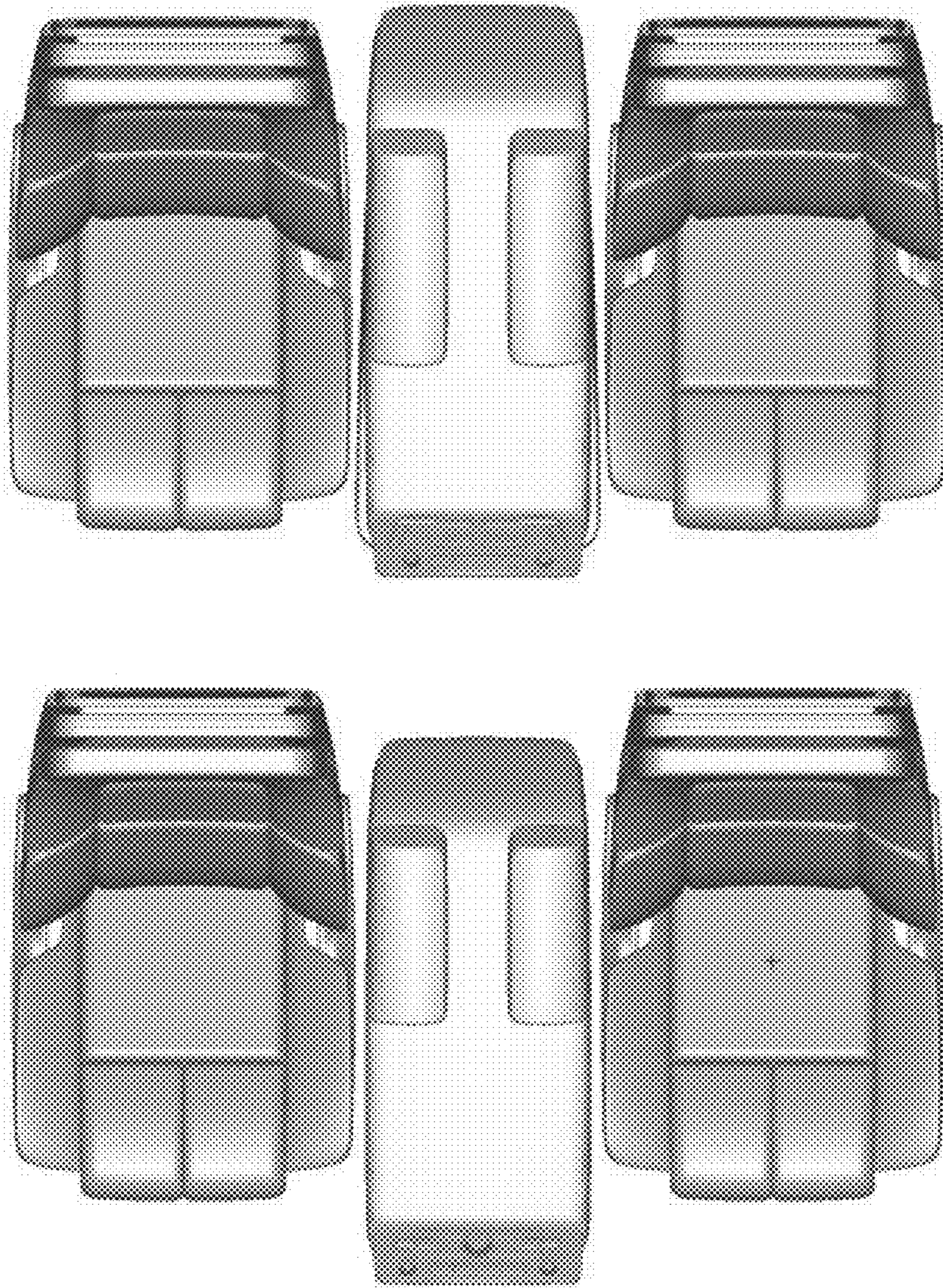


Figure 7

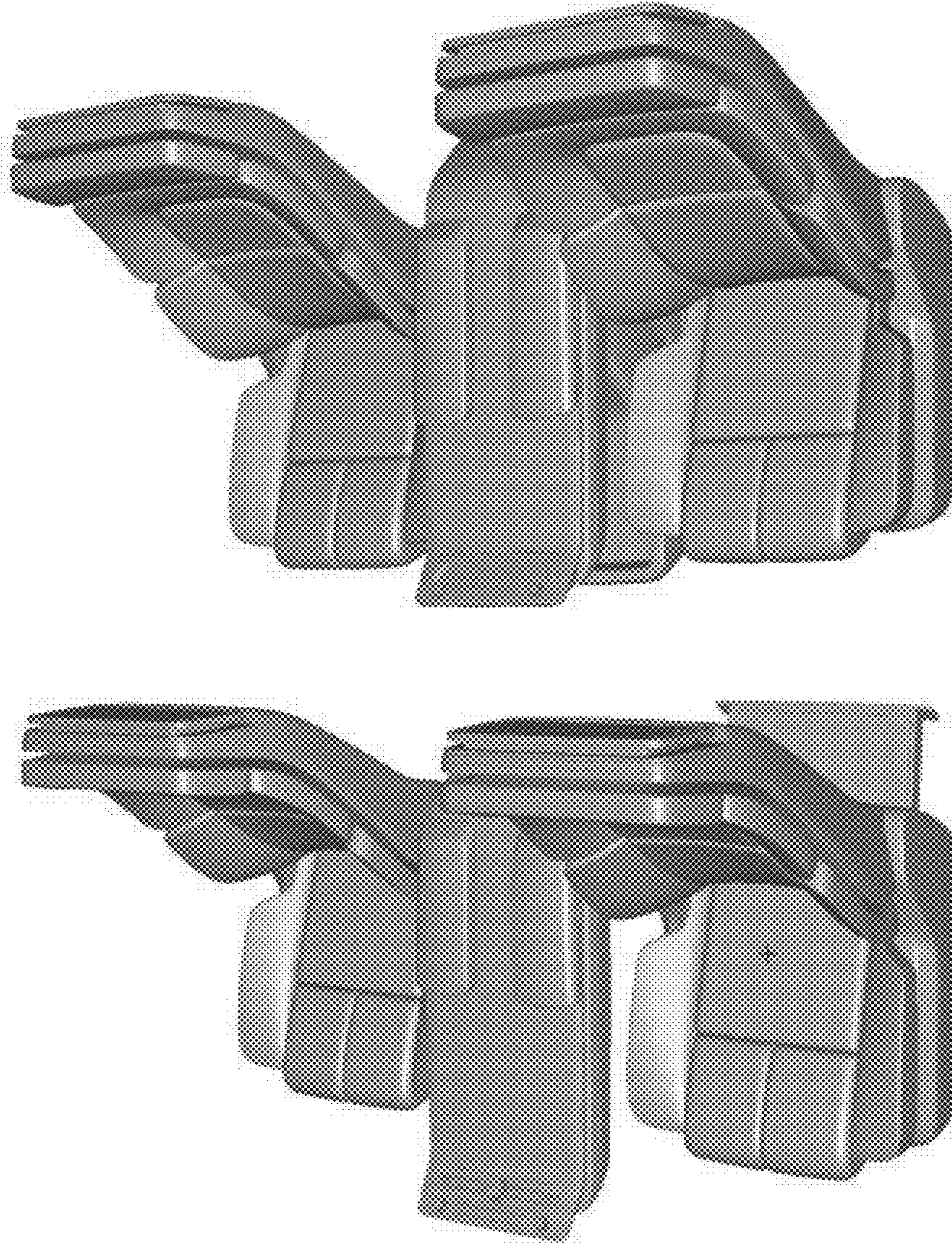


Figure 8

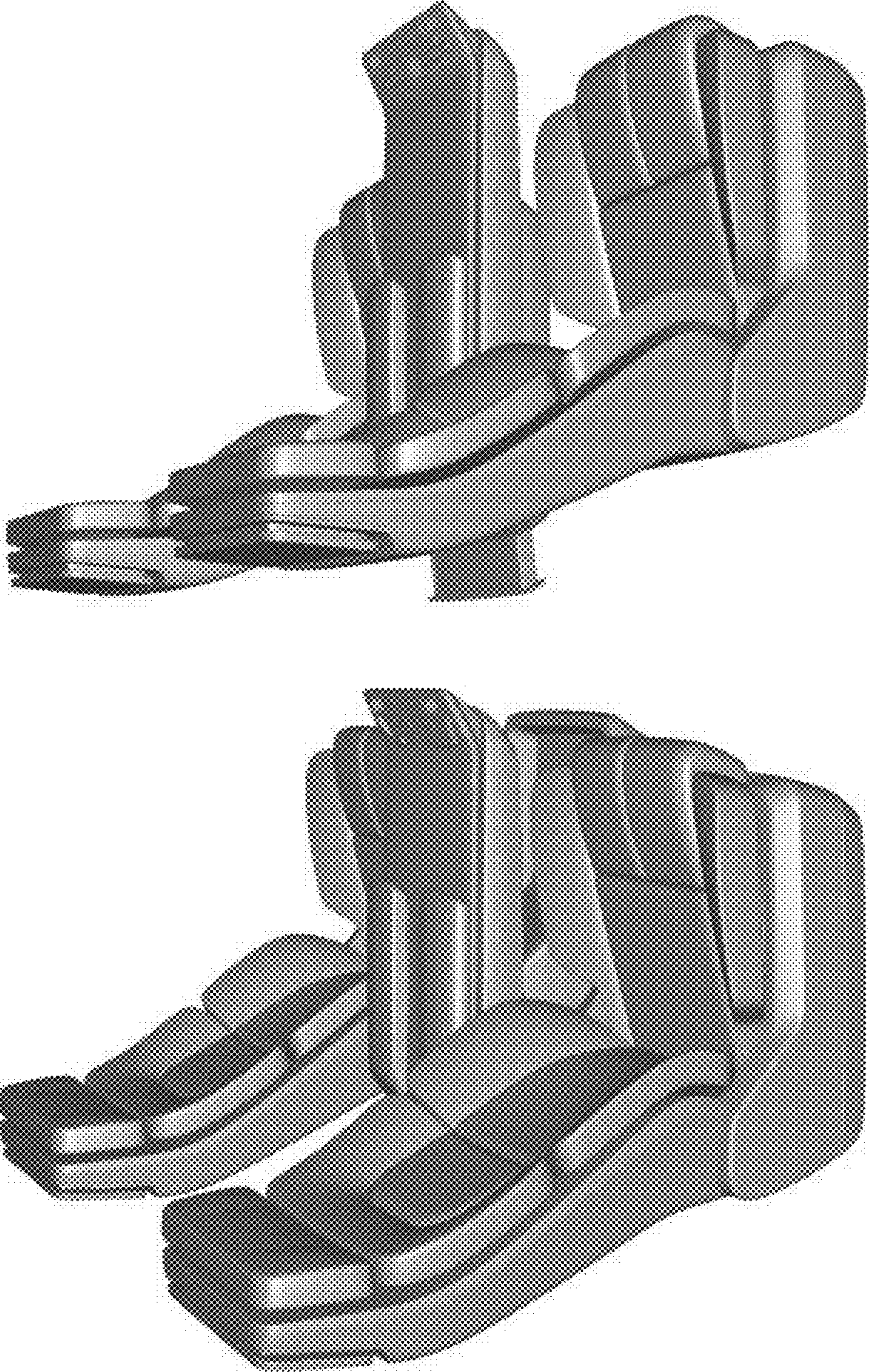


Figure 9