



US00D793314S

(12) **United States Design Patent**
Yoon et al.

(10) **Patent No.:** **US D793,314 S**

(45) **Date of Patent:** **** Aug. 1, 2017**

(54) **DASHBOARD FOR CAR**

(71) Applicant: **Samsung Electronics Co., Ltd.**,
Suwon-si (KR)

(72) Inventors: **Kihyun Yoon**, Seoul (KR); **Jonghyuk Park**, Seoul (KR)

(73) Assignee: **Samsung Electronics Co., Ltd.**,
Suwon-si (KR)

(**) Term: **15 Years**

(21) Appl. No.: **29/566,709**

(22) Filed: **Jun. 2, 2016**

(30) **Foreign Application Priority Data**

Dec. 10, 2015 (KR) 30-2015-0063039

(51) **LOC (10) Cl.** **12-16**

(52) **U.S. Cl.**
USPC **D12/192**

(58) **Field of Classification Search**
USPC D12/192, 415, 110, 114; D15/17, 28;
D10/46, 98, 102-103, 122-127
CPC G08G 1/096883; G01C 21/16; G01C
21/3688; G01C 21/30
See application file for complete search history.

(56) **References Cited**

U.S. PATENT DOCUMENTS

D718,199 S	*	11/2014	Yamanaka	D12/192
D744,920 S	*	12/2015	Weng	D12/192
D761,709 S	*	7/2016	Shimizu	D12/192
D762,152 S	*	7/2016	Inagaki	D12/192
D762,154 S	*	7/2016	Kanki	D12/192
D763,155 S	*	8/2016	Sahs	D12/192

D770,953 S	*	11/2016	Tanaka	D12/192
D771,541 S	*	11/2016	Shouno	D12/192
D772,128 S	*	11/2016	Platt	D12/192
D776,029 S	*	1/2017	Callum	D12/192
D778,796 S	*	2/2017	Gommier	D12/192

FOREIGN PATENT DOCUMENTS

EM	000996731-0001	11/2009
JP	0768850-000 JP	8/1989
JP	0769246-000	6/1992

* cited by examiner

Primary Examiner — Katrina A Betton

(74) *Attorney, Agent, or Firm* — NSIP Law

(57) **CLAIM**

We claim the ornamental design for a dashboard for car, as shown and described.

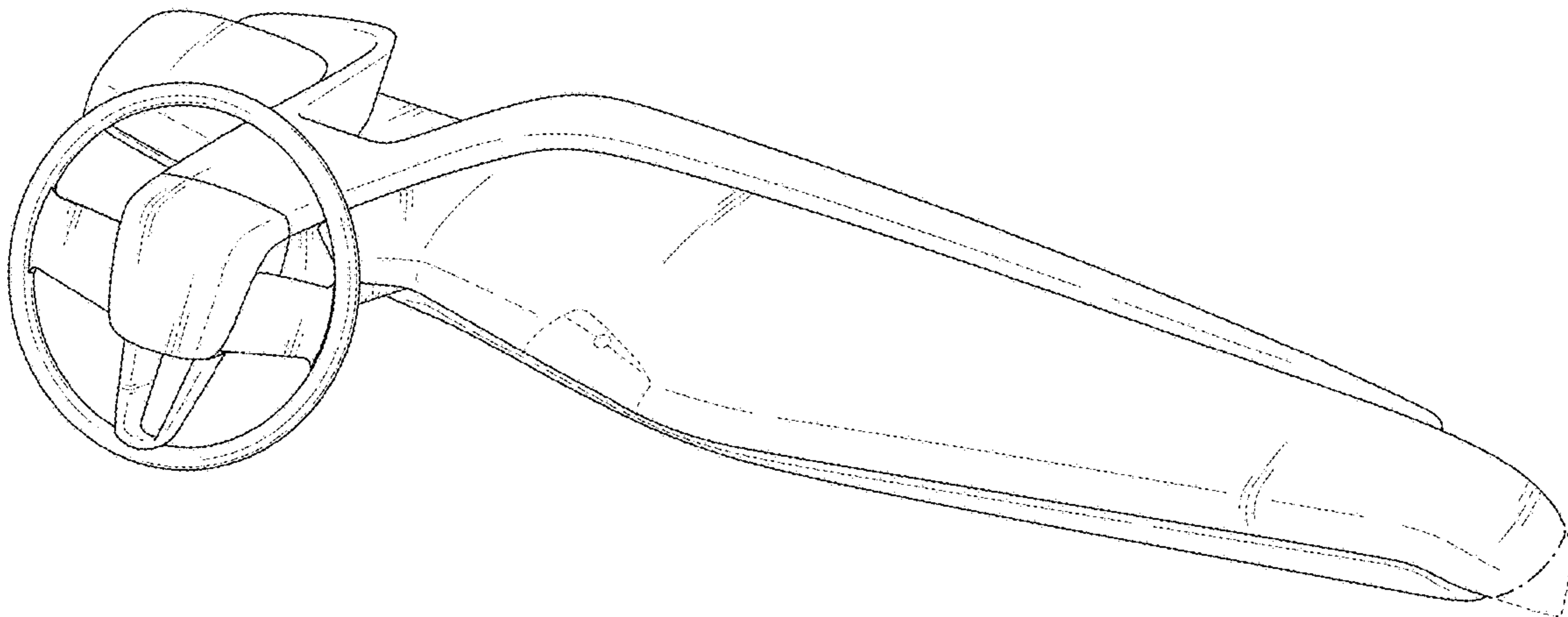
DESCRIPTION

FIG. 1 is a front perspective view of a dashboard for car showing our new design;
FIG. 2 is a front view thereof;
FIG. 3 is a rear view thereof;
FIG. 4 is a left-side view thereof;
FIG. 5 is a right-side view thereof;
FIG. 6 is a top view thereof; and,
FIG. 7 is a bottom view thereof.

The short dash-dash broken lines in the figures show portions of the dashboard for car that form no part of the claimed design.

The dot-dash broken lines in the figures represent a boundary of the claimed design and form no part of the claimed design.

1 Claim, 7 Drawing Sheets



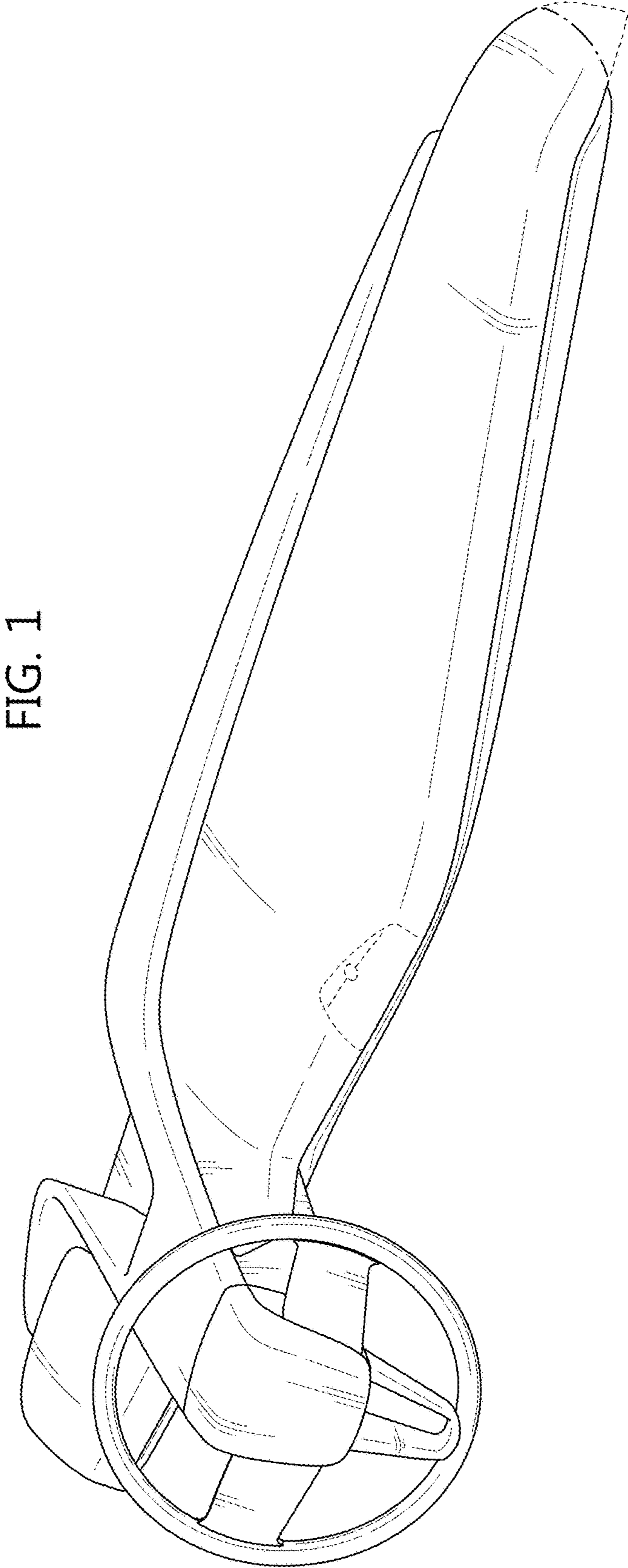


FIG. 1

FIG. 2

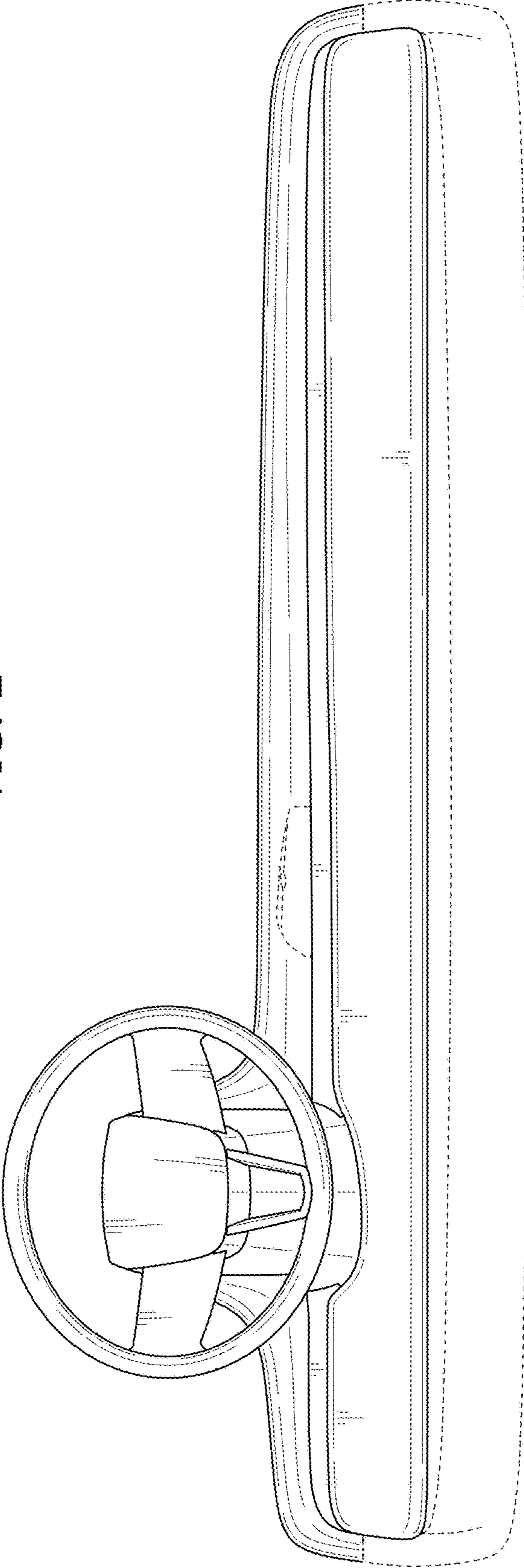
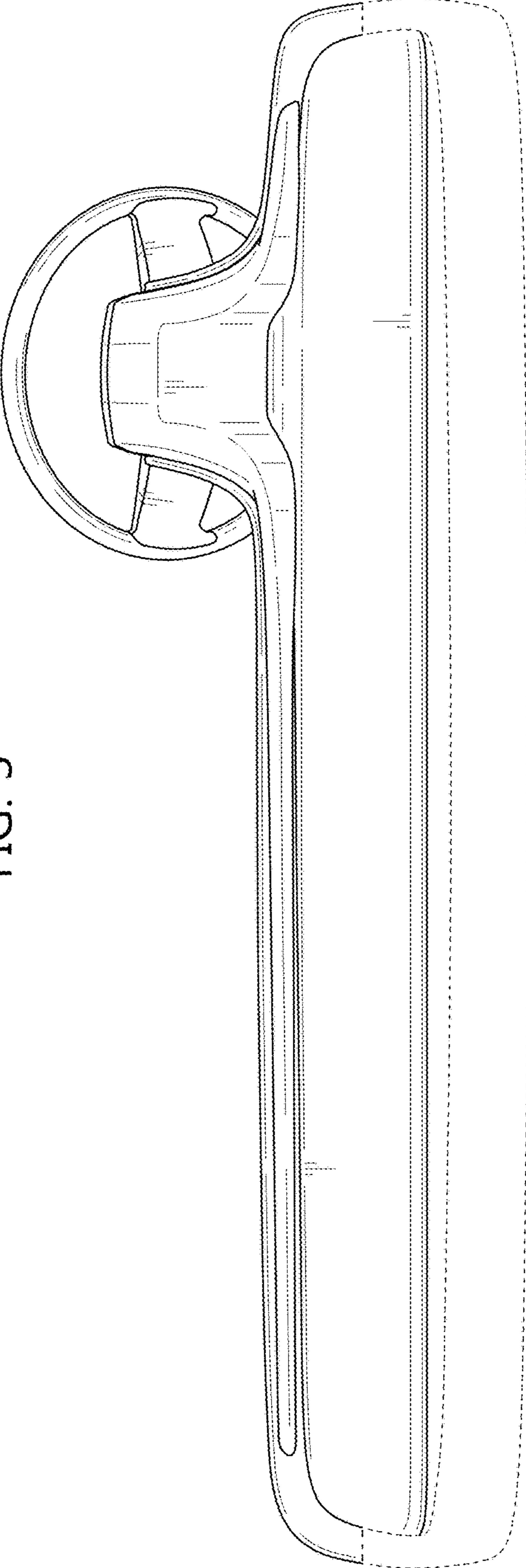


FIG. 3



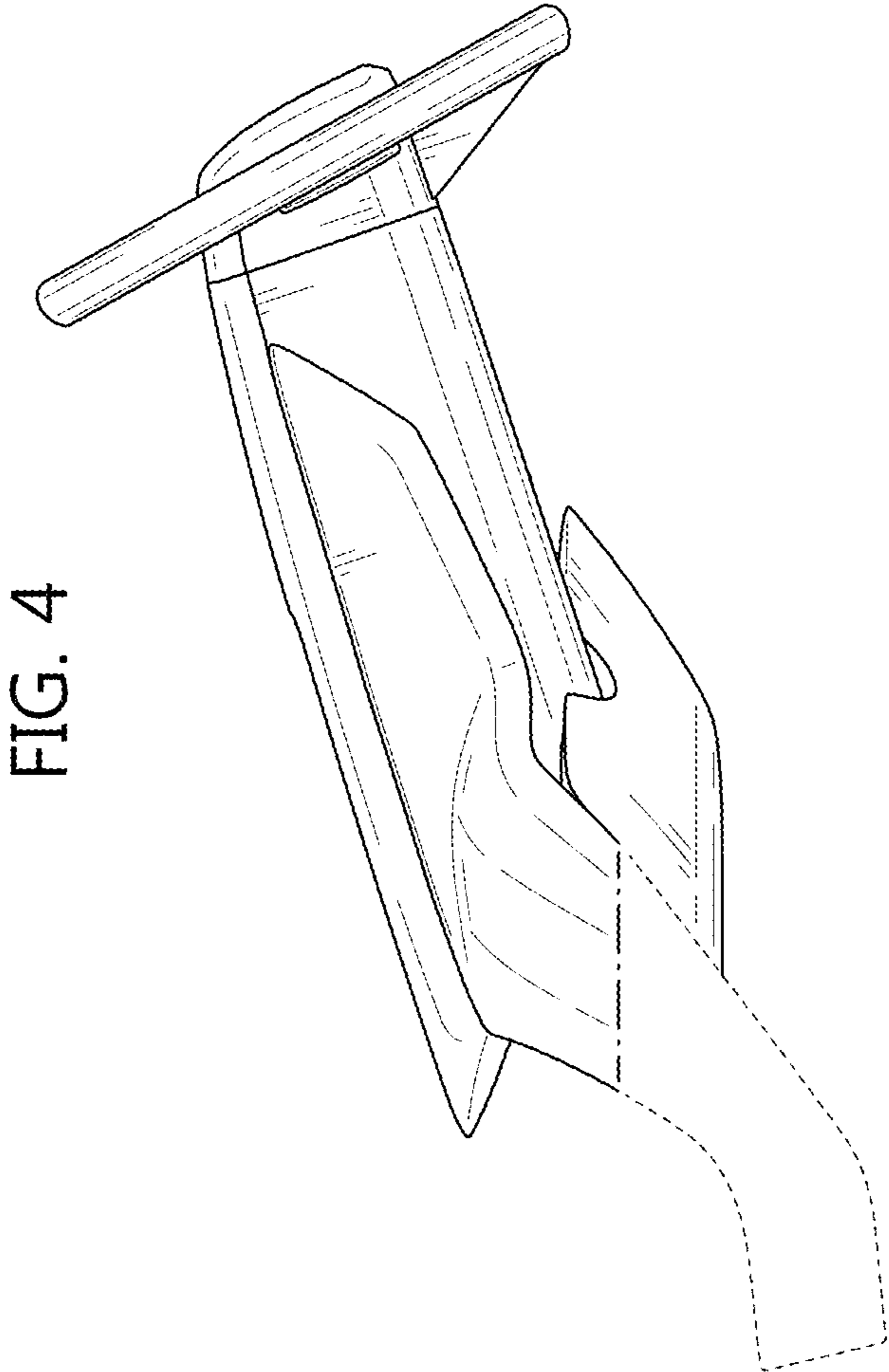


FIG. 4

FIG. 5

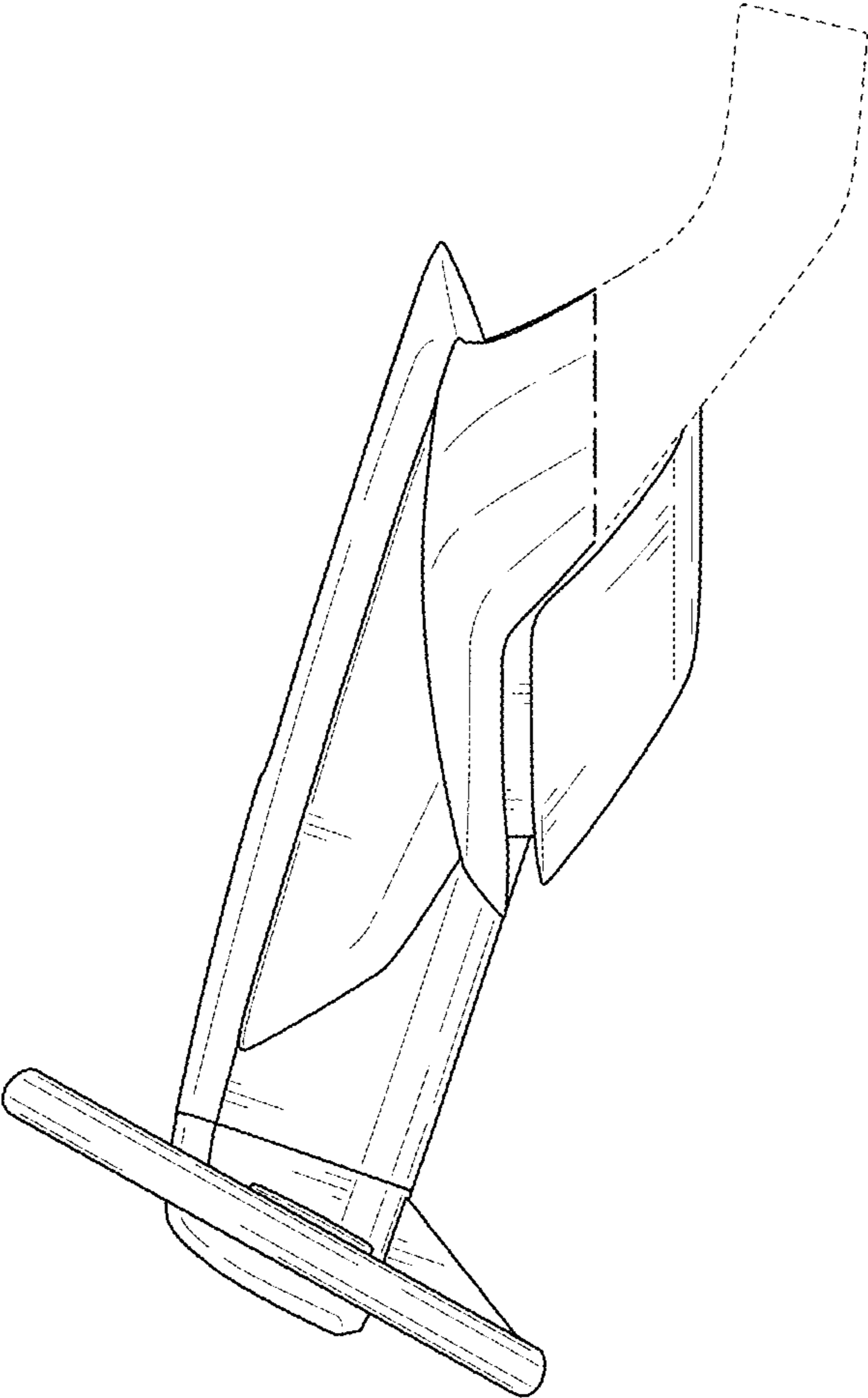
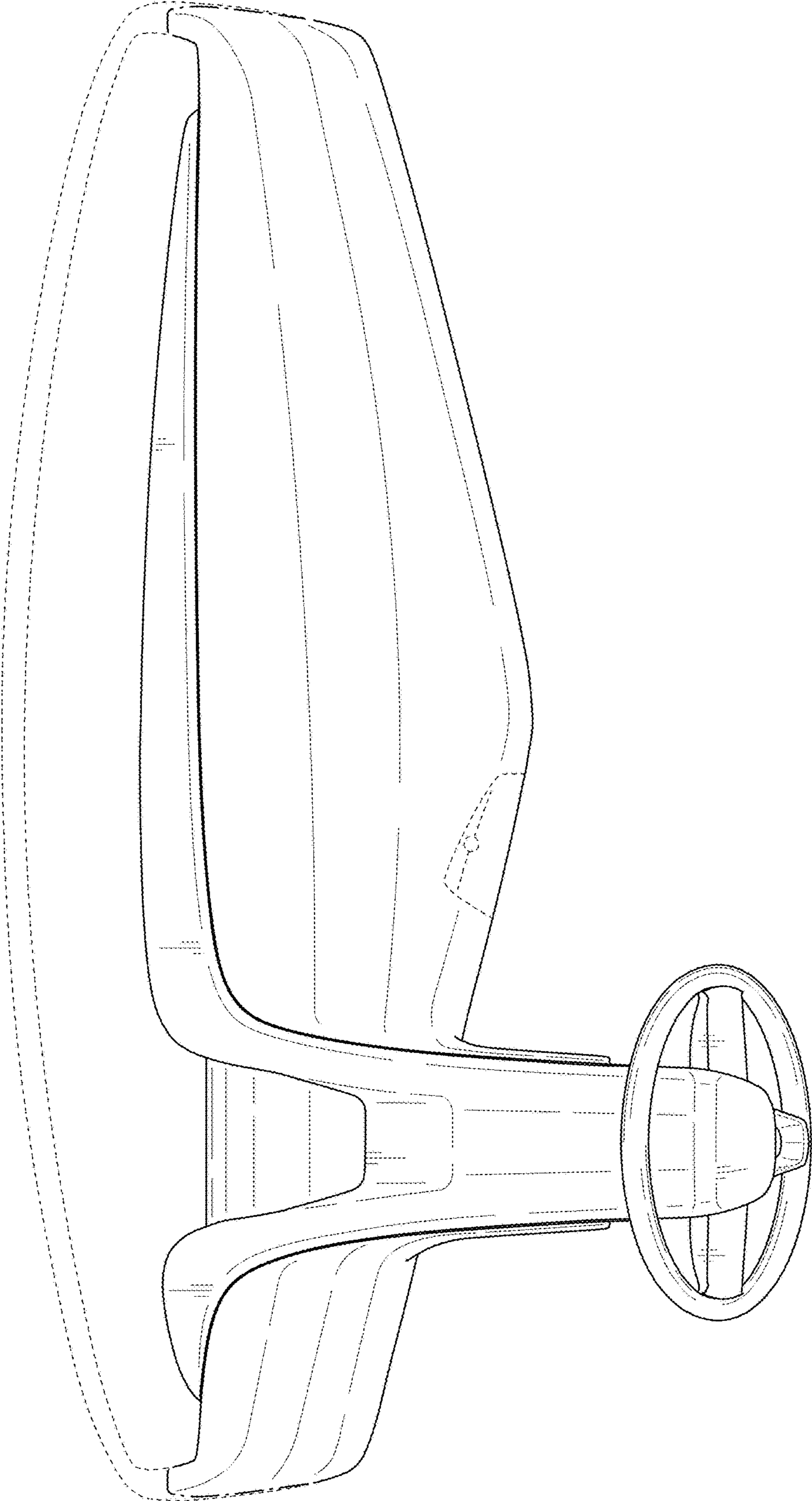


FIG. 6



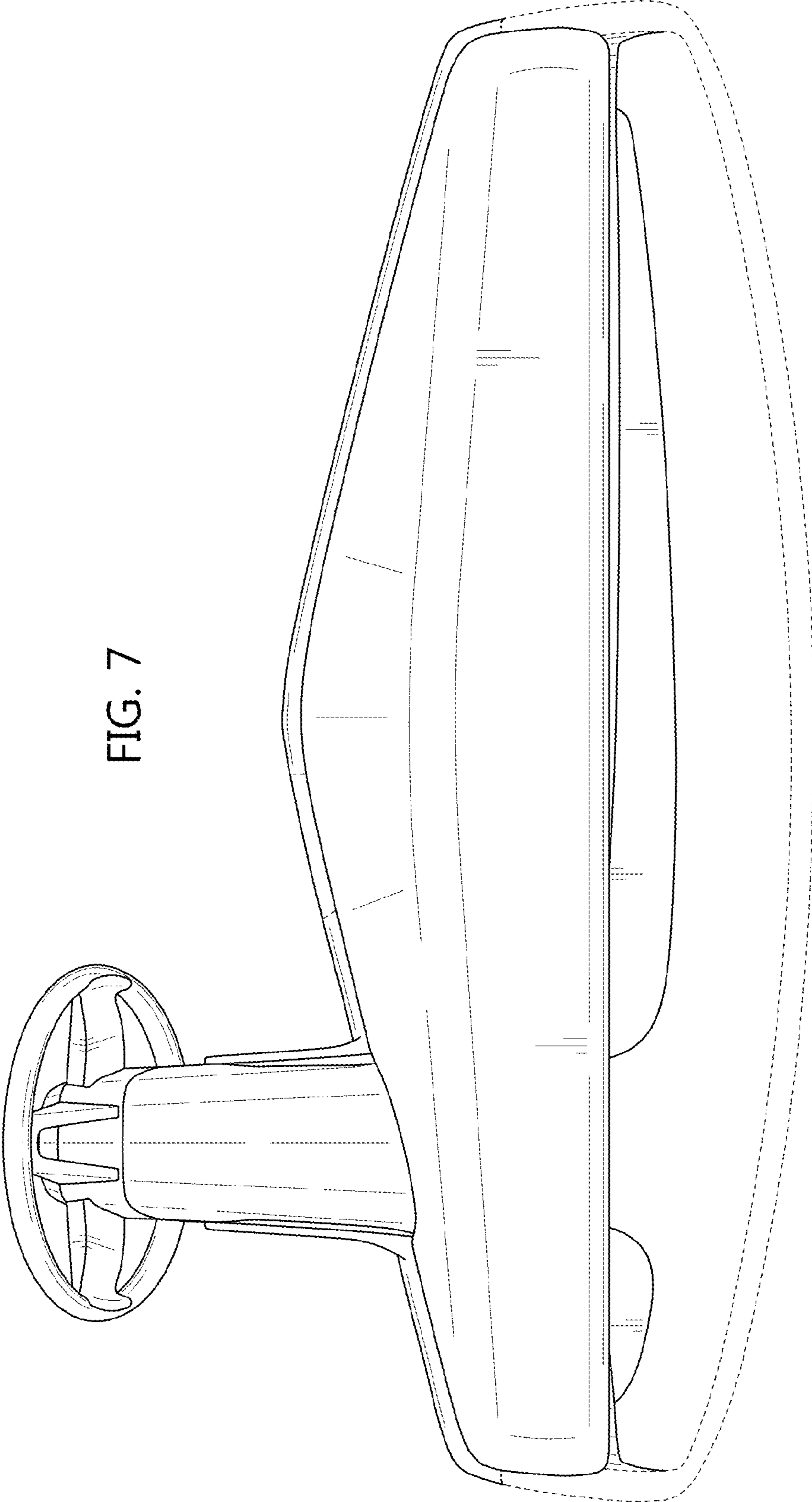


FIG. 7