



US00D793310S

(12) **United States Design Patent**
Hwang

(10) **Patent No.:** **US D793,310 S**

(45) **Date of Patent:** **** Aug. 1, 2017**

(54) **OUTSIDE MIRROR OF CAR**

(71) Applicant: **GM GLOBAL TECHNOLOGY OPERATIONS LLC**, Detroit, MI (US)

(72) Inventor: **Jongho Hwang**, Seoul (KR)

(73) Assignee: **GM GLOBAL TECHNOLOGY OPERATIONS LLC**, Detroit, MI (US)

(**) Term: **15 Years**

(21) Appl. No.: **29/565,145**

(22) Filed: **May 18, 2016**

(30) **Foreign Application Priority Data**

Nov. 20, 2015 (KR) 30-2015-0058664

(51) **LOC (10) Cl.** **12-16**

(52) **U.S. Cl.**
USPC **D12/187**

(58) **Field of Classification Search**
USPC D12/187, 188-189; D6/300, 309
CPC B60R 1/076; G02B 7/182; G02B 5/08;
G02B 7/18
See application file for complete search history.

(56) **References Cited**

U.S. PATENT DOCUMENTS

D727,229 S * 4/2015 Varga D12/187
D731,379 S * 6/2015 Behmer D12/187

D744,918 S * 12/2015 Di Buduo D12/187
D746,196 S * 12/2015 Di Buduo D12/187
D746,197 S * 12/2015 Nissl D12/187
D751,477 S * 3/2016 Ting D12/187
D761,172 S * 7/2016 Kim D12/187
D761,173 S * 7/2016 Faghihzadeh D12/187
D777,068 S * 1/2017 Sterner D12/187

* cited by examiner

Primary Examiner — Katrina A Betton

(74) *Attorney, Agent, or Firm* — Browdy and Neimark, PLLC

(57) **CLAIM**

The ornamental design for an outside mirror of car, as shown and described.

DESCRIPTION

FIG. 1 is a right, front perspective view of new design for an outside mirror of car as shown in the drawings;
FIG. 2 is a front elevation view thereof;
FIG. 3 is a rear elevation view thereof;
FIG. 4 is a left side elevation view thereof;
FIG. 5 is a right side elevation view thereof;
FIG. 6 is a top plan view thereof;
FIG. 7 is a bottom plan view thereof; and,
FIG. 8 is a left, front perspective view thereof.

1 Claim, 6 Drawing Sheets

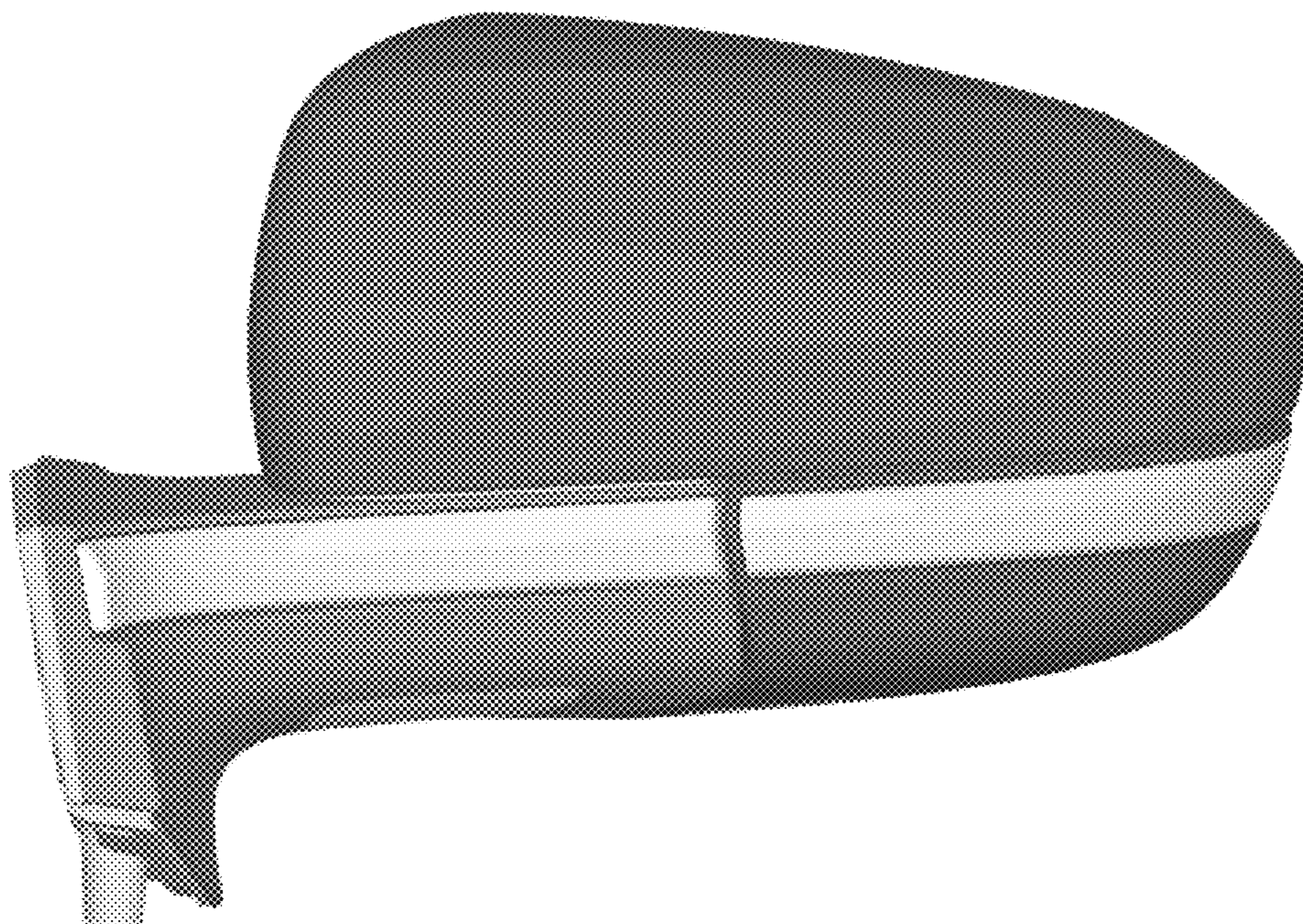


Fig. 1

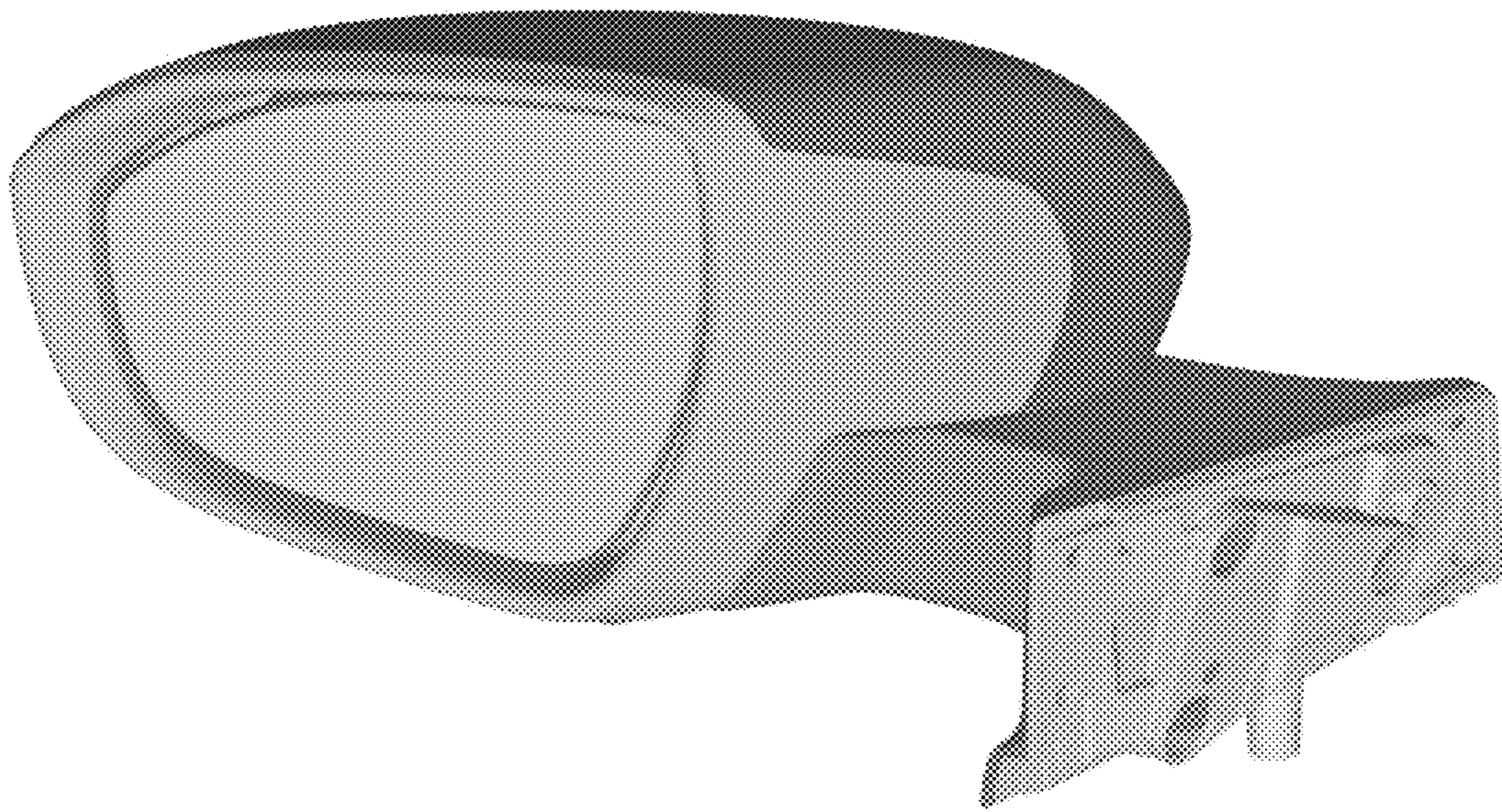


Fig. 2

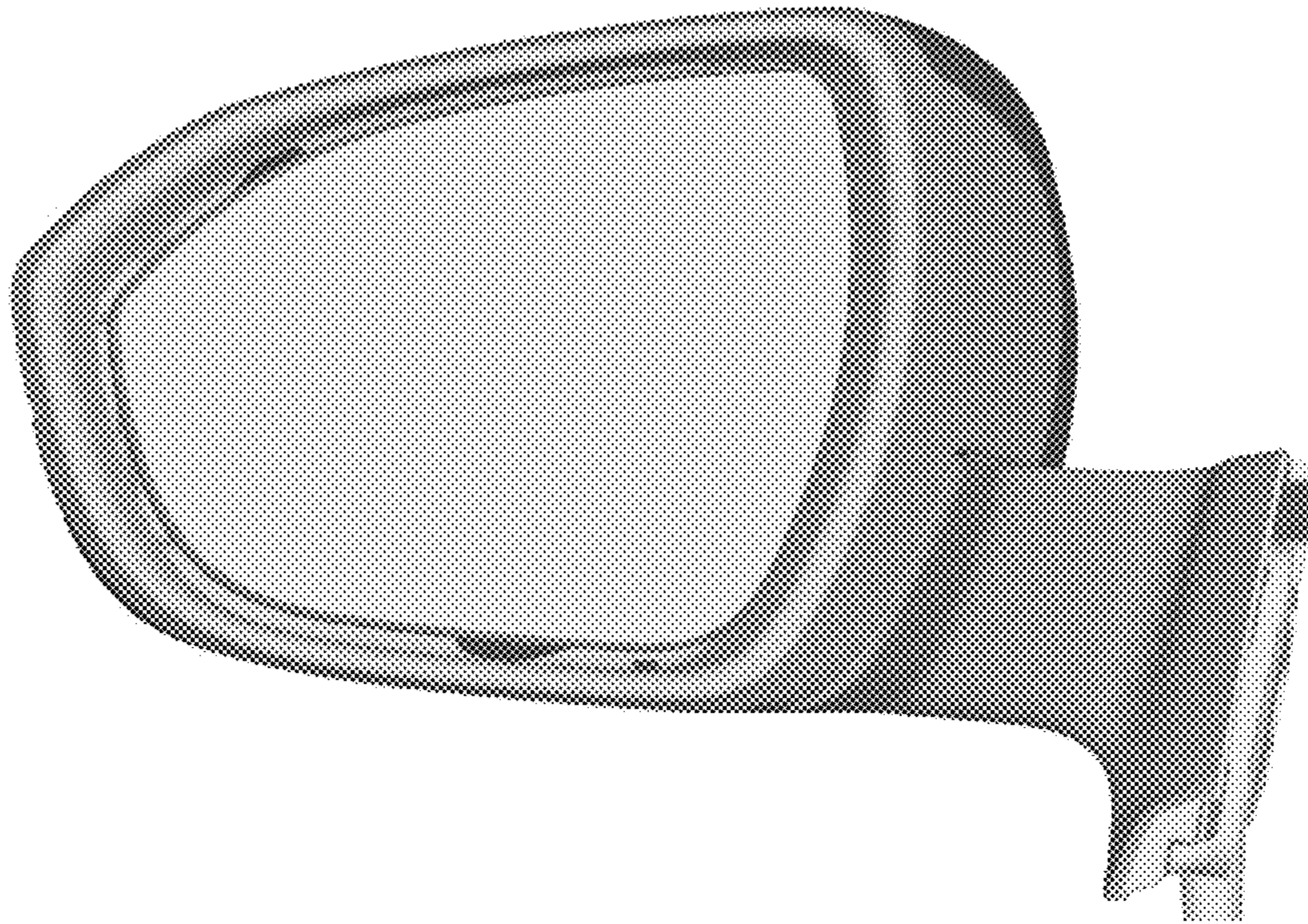


Fig. 3

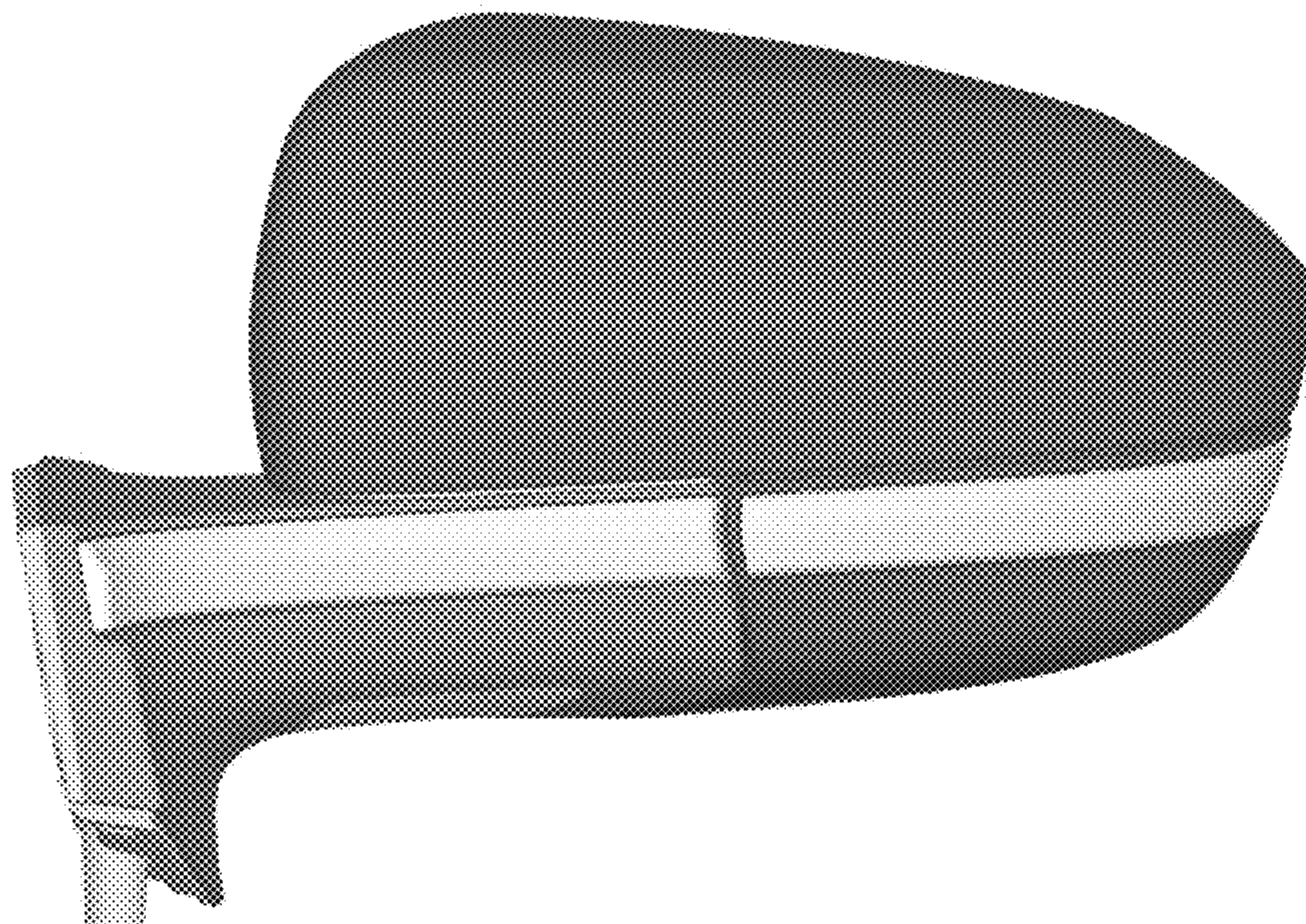


Fig. 4

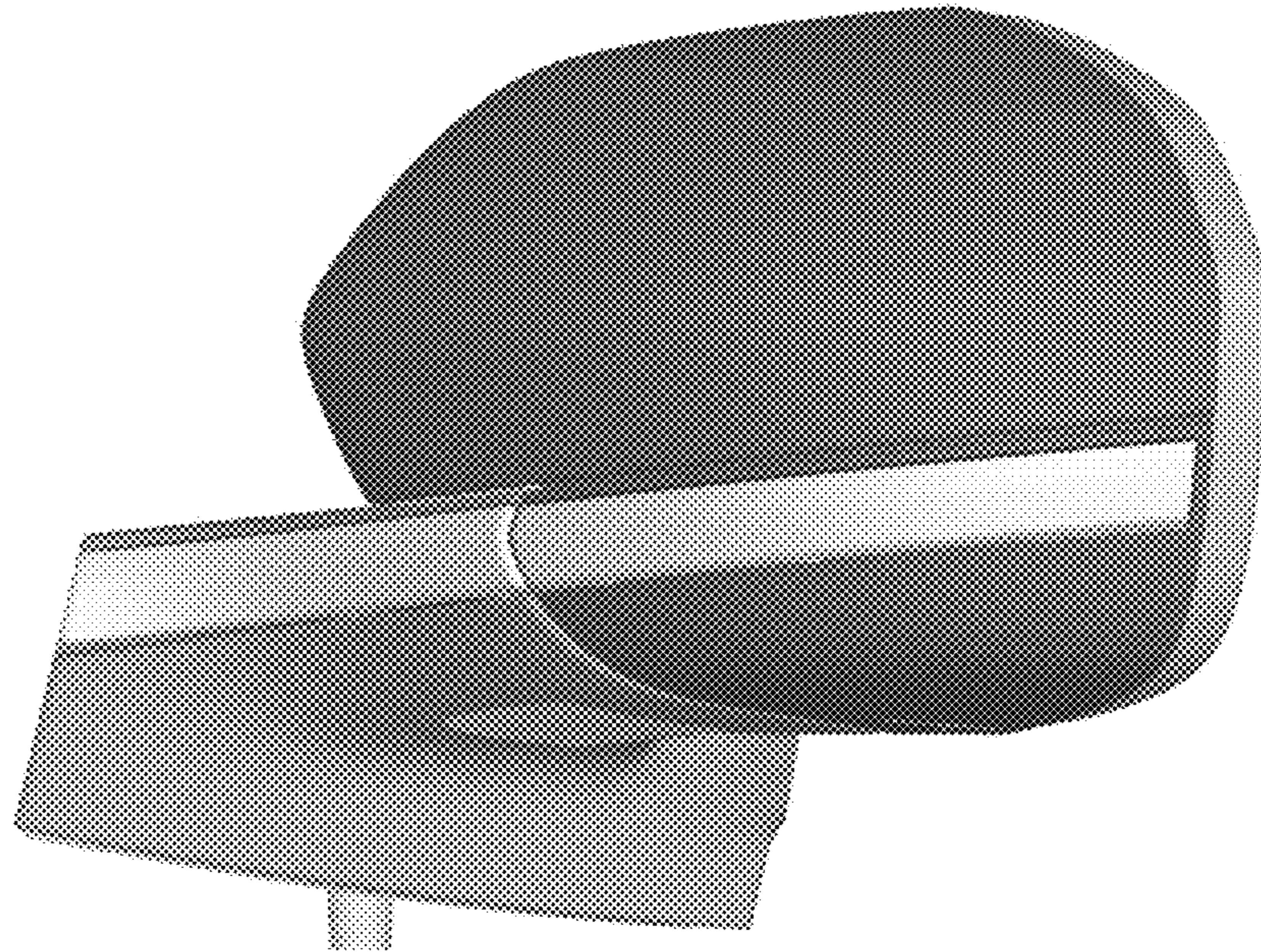


Fig. 5

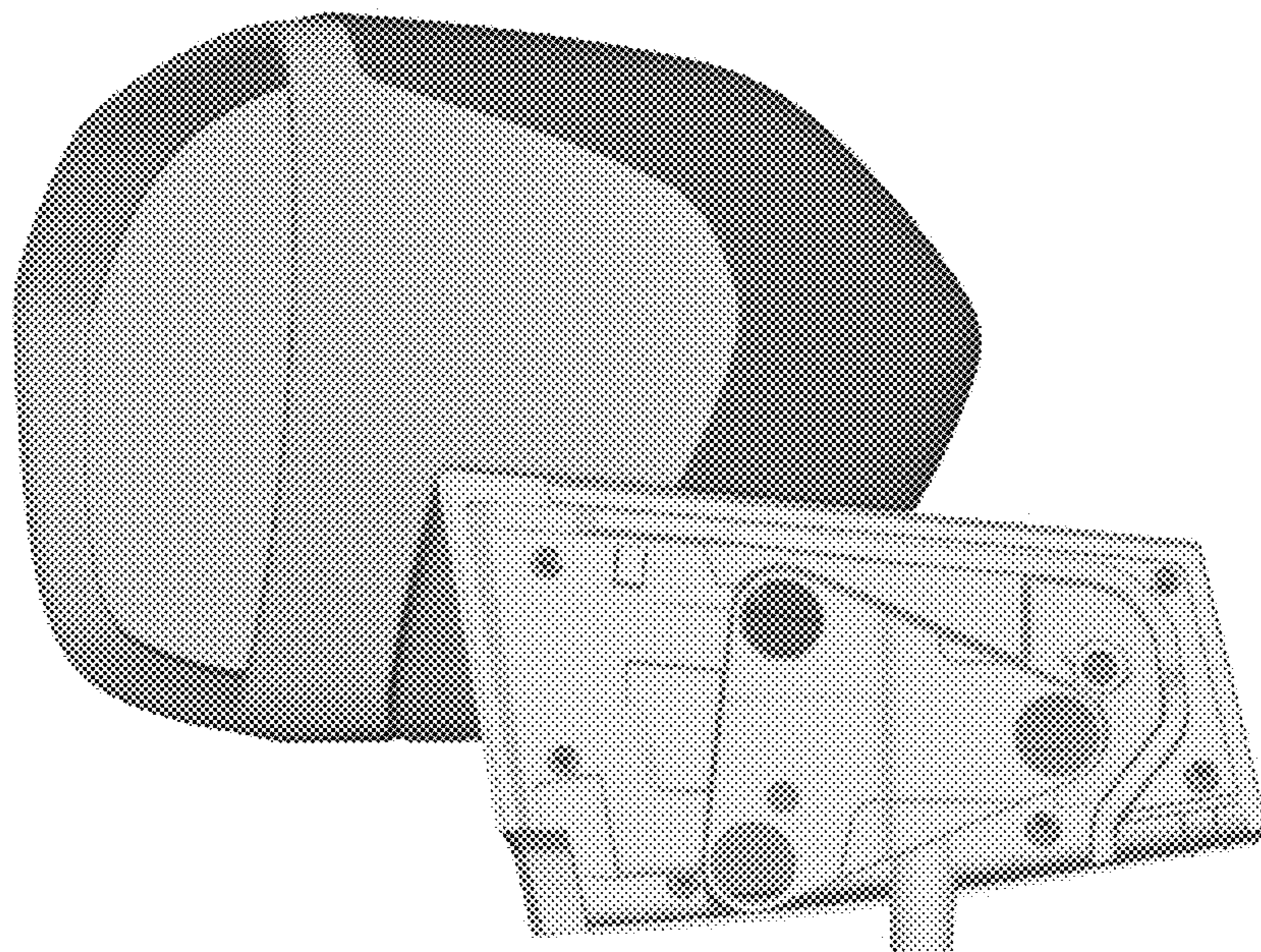


Fig. 6

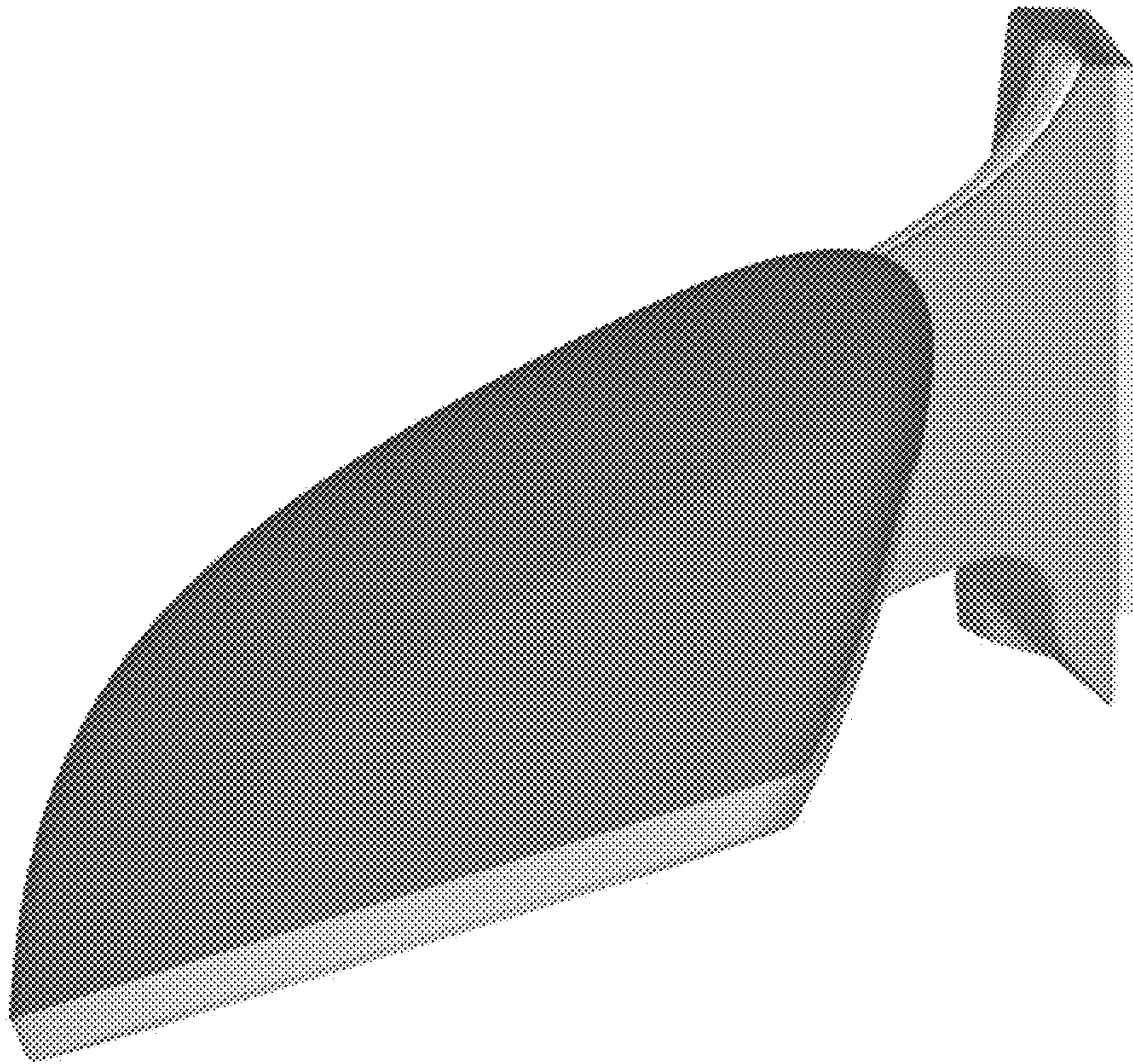


Fig. 7

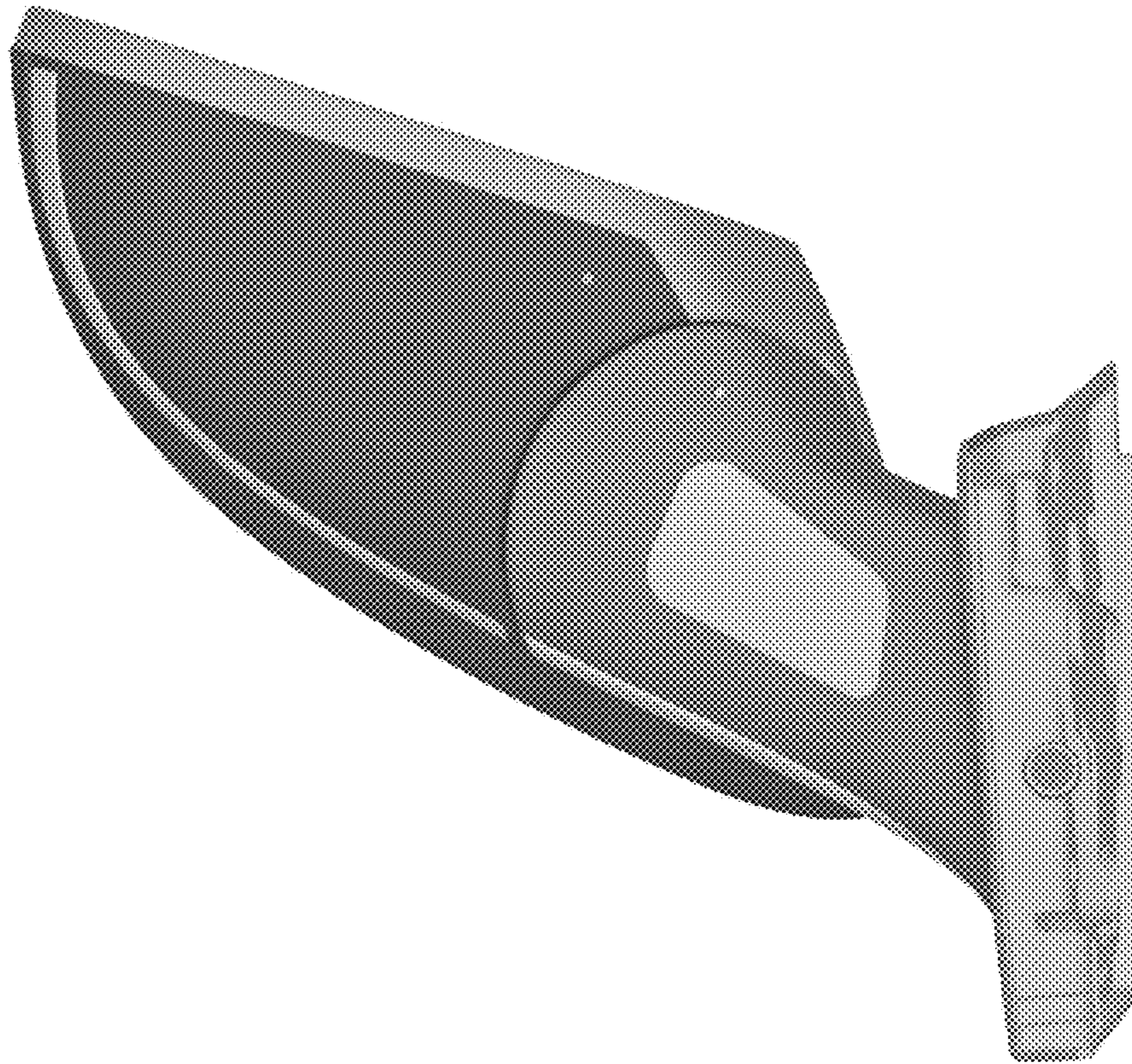


Fig. 8

