



US00D793308S

(12) **United States Design Patent** (10) **Patent No.:** **US D793,308 S**
Lewis (45) **Date of Patent:** **** Aug. 1, 2017**

(54) **VEHICLE TEMPORARY REPLACEMENT WINDOW**

(71) Applicant: **Crystal Lewis**, Victorville, CA (US)

(72) Inventor: **Crystal Lewis**, Victorville, CA (US)

(**) Term: **15 Years**

(21) Appl. No.: **29/562,675**

(22) Filed: **Apr. 27, 2016**

(51) **LOC (10) Cl.** **12-16**

(52) **U.S. Cl.**
USPC **D12/183**

(58) **Field of Classification Search**
USPC D12/183, 191, 180–182, 417, 174,
D12/400–401, 184–185, 106, 311–312
CPC . B60J 1/20; B60J 3/0208; B60J 1/2008; B60J
1/2005; B60J 1/2002; B60J 3/0204
See application file for complete search history.

(56) **References Cited**

U.S. PATENT DOCUMENTS

D554,030 S * 10/2007 Eskandry D12/183
D554,031 S * 10/2007 Eskandry D12/183
D558,108 S * 12/2007 Shelton D12/183

D558,652 S * 1/2008 Davis D12/183
D672,294 S * 12/2012 Thompson D12/183
D695,170 S * 12/2013 Eskandry D12/183
8,708,028 B2 * 4/2014 Oh B60J 1/2025
160/274
8,939,189 B2 * 1/2015 Ojima B60J 1/2022
160/120
D746,192 S * 12/2015 Balfour D12/183
D773,969 S * 12/2016 Akins D12/183
D778,794 S * 2/2017 Bouie D12/183

* cited by examiner

Primary Examiner — Katrina A Betton
(74) *Attorney, Agent, or Firm* — RG Patent Consulting, LLC; Rachel Gilboy

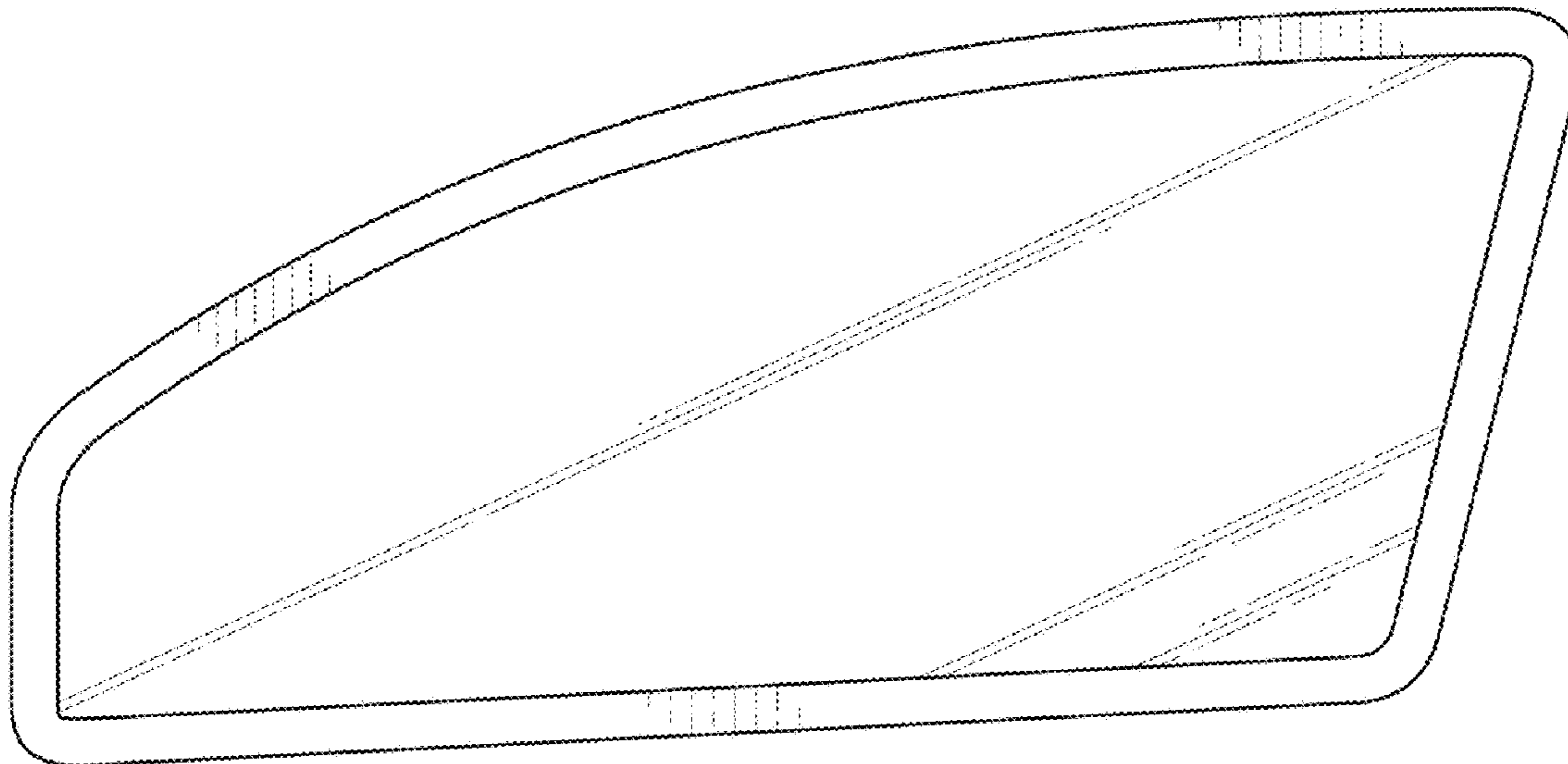
(57) **CLAIM**

The ornamental design for a vehicle temporary replacement window, as shown and described.

DESCRIPTION

FIG. 1 is a rear perspective view of the vehicle temporary replacement window showing my new design; FIG. 2 is a front elevation view thereof; FIG. 3 is a rear elevation view thereof; FIG. 4 is a right side elevation view thereof; FIG. 5 is a left side elevation view thereof; FIG. 6 is a top plan view thereof; and, FIG. 7 is a bottom plan view thereof.

1 Claim, 3 Drawing Sheets



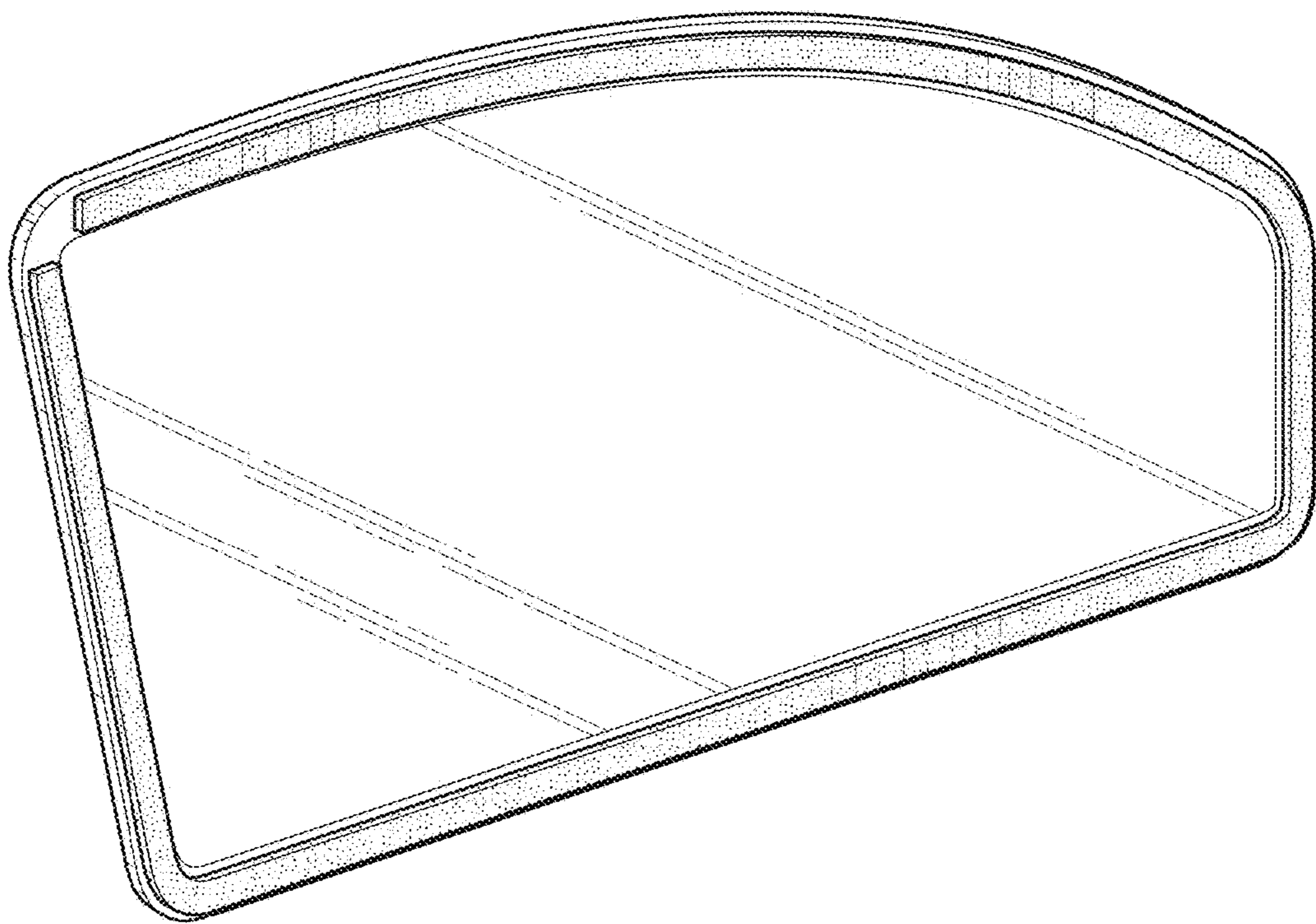


FIG. 1

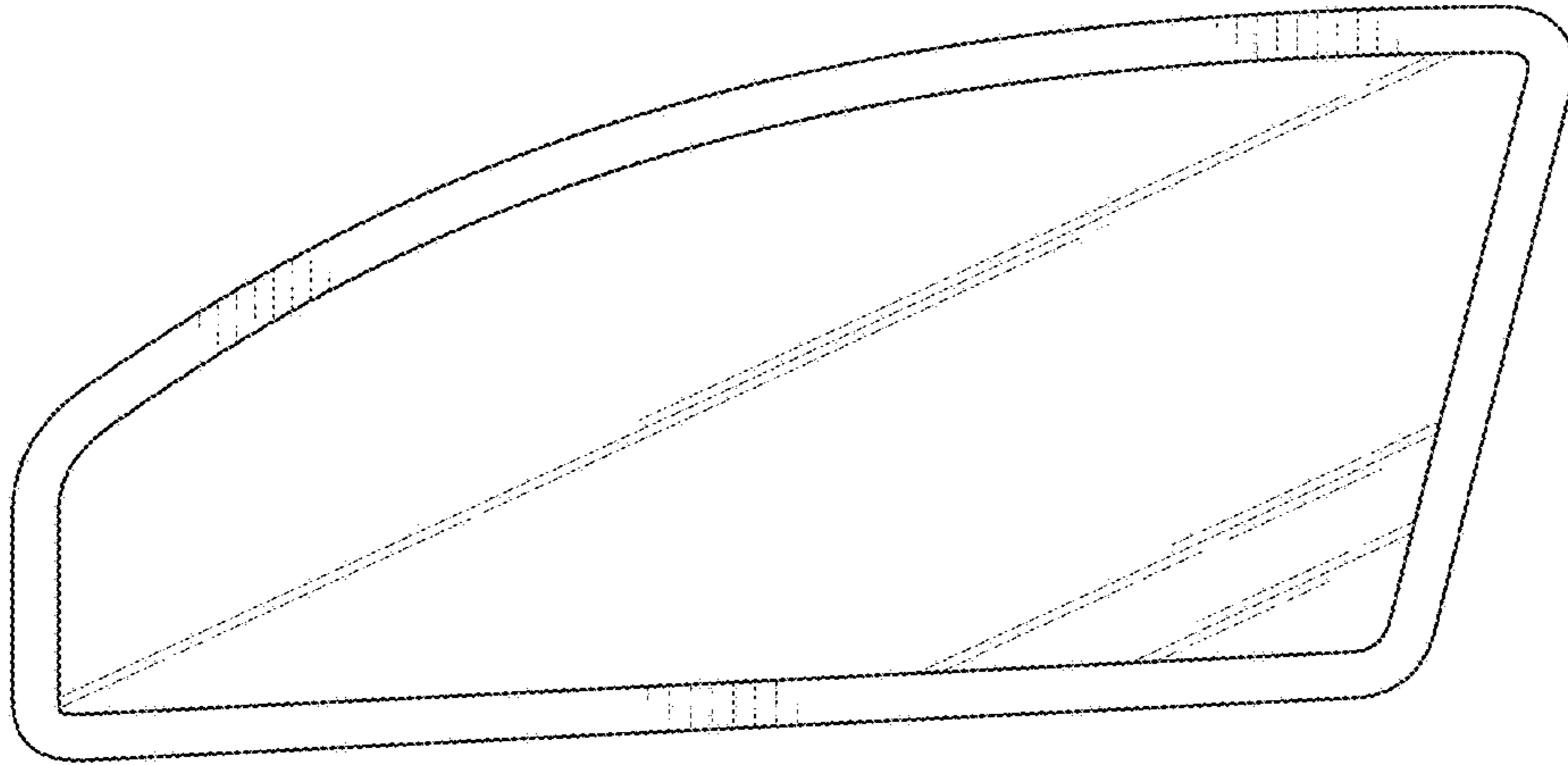


FIG. 2

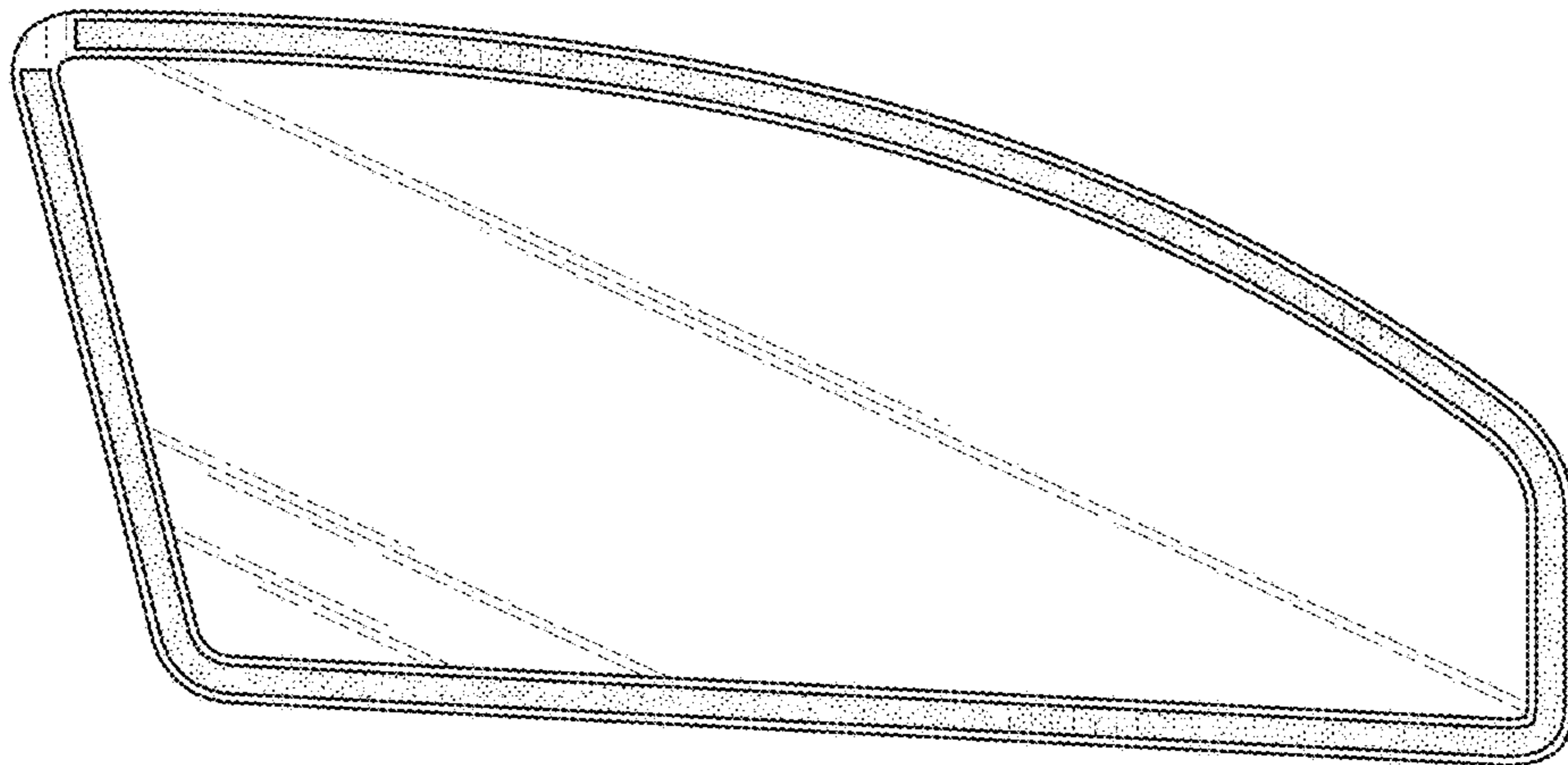


FIG. 3

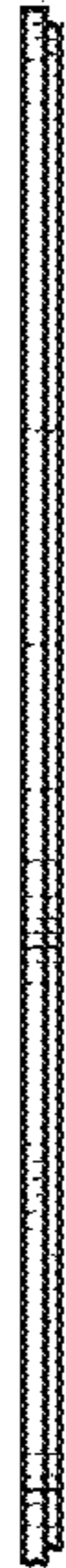


FIG. 4



FIG. 5



FIG. 6



FIG. 7