



US00D793301S

(12) **United States Design Patent**
Kozub

(10) **Patent No.:** **US D793,301 S**

(45) **Date of Patent:** **** Aug. 1, 2017**

(54) **AUTOMOBILE FRONT LOWER FASCIA**

(71) Applicant: **GM GLOBAL TECHNOLOGY OPERATIONS LLC**, Detroit, MI (US)

(72) Inventor: **Timothy P. Kozub**, Troy, MI (US)

(73) Assignee: **GM Global Technology Operations LLC**, Detroit, MI (US)

(**) Term: **15 Years**

(21) Appl. No.: **29/559,807**

(22) Filed: **Mar. 31, 2016**

(51) **LOC (10) Cl.** **12-16**

(52) **U.S. Cl.**
USPC **D12/169**

(58) **Field of Classification Search**
USPC D12/86-92, 163-172
CPC B60R 19/18; B60R 19/24; B60R 19/44;
B60R 19/48; B60R 19/56; B60R
2019/527; B60R 2019/1886; B62D
25/0845
See application file for complete search history.

(56) **References Cited**

U.S. PATENT DOCUMENTS

D534,463 S *	1/2007	Chiang	D12/169
D535,595 S *	1/2007	Matei	D12/169
D538,208 S *	3/2007	Golden	D12/169
D539,197 S *	3/2007	Fujimaki	D12/169
D539,711 S *	4/2007	Fujimaki	D12/169
D541,712 S *	5/2007	Golden	D12/169
D542,196 S *	5/2007	Levy	D12/169
D544,417 S *	6/2007	Kono	D12/169
D560,145 S *	1/2008	Tant	D12/169
D561,662 S *	2/2008	Ellis	D12/169
D570,742 S	6/2008	Takagi et al.		
D580,319 S *	11/2008	Gueler	D12/169
D590,752 S *	4/2009	Williams	D12/169

D590,753 S *	4/2009	Williams	D12/169
D592,105 S	5/2009	Dean et al.		
D592,571 S *	5/2009	Golden	D12/169
D594,391 S *	6/2009	Bhambra	D12/169
D597,447 S	8/2009	Folden		
D600,595 S	9/2009	Nakamura et al.		
D601,063 S *	9/2009	Lamm	D12/169
D601,925 S	10/2009	O'Donnell		
D603,308 S *	11/2009	Schiavone	D12/169
D603,755 S	11/2009	Peters		
D603,764 S *	11/2009	Youn	D12/169
D603,765 S *	11/2009	Youn	D12/169
D604,203 S	11/2009	O'Donnell		
D605,082 S	12/2009	Munson		
D605,083 S	12/2009	Manoogian, II et al.		
D605,977 S	12/2009	Zipfel et al.		
D605,978 S	12/2009	Wolff et al.		
D607,790 S *	1/2010	Golden	D12/169
D607,791 S *	1/2010	Golden	D12/169
D608,249 S	1/2010	Peters		
D608,690 S	1/2010	Folden et al.		

(Continued)

Primary Examiner — Darlington Ly

(74) *Attorney, Agent, or Firm* — Reising Ethington P.C.

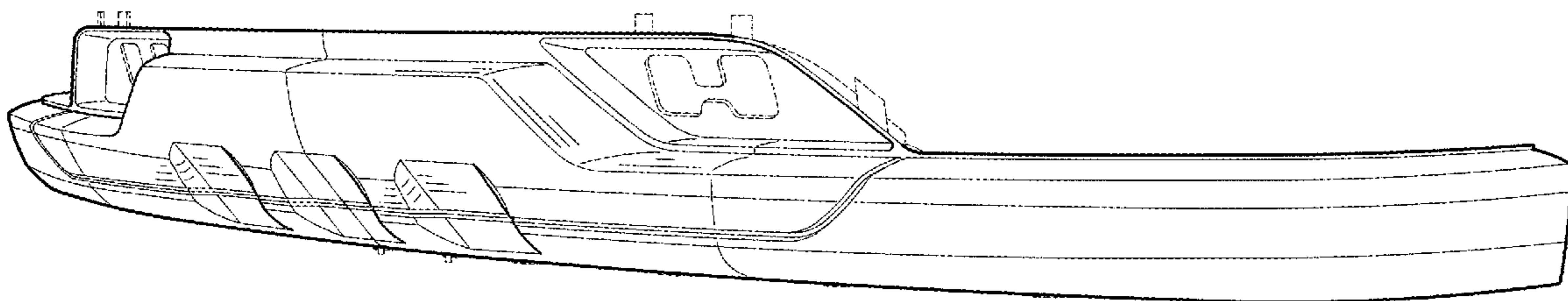
(57) **CLAIM**

The ornamental design for an automobile front lower fascia, as shown and described.

DESCRIPTION

FIG. 1 is a perspective view of an automobile front lower fascia showing my new design; FIG. 2 is a front view thereof; FIG. 3 is a left side elevation view thereof (where the right side elevation view is omitted since the right side elevation view is a mirror image of the left side elevation view); and, FIG. 4 is a bottom plan view thereof. The broken lines in the drawings illustrate portions of the automobile front lower fascia that form no part of the claimed design.

1 Claim, 2 Drawing Sheets



(56)

References Cited

U.S. PATENT DOCUMENTS

D608,691 S	1/2010	Zak, Jr. et al.	
D609,608 S	2/2010	Boniface et al.	
D610,502 S *	2/2010	Bucher	D12/169
D611,387 S	3/2010	Thompson et al.	
D611,879 S	3/2010	Kim et al.	
D612,297 S	3/2010	Peters et al.	
D613,645 S	4/2010	Song et al.	
D614,090 S *	4/2010	Ectors	D12/169
D615,458 S	5/2010	Thompson et al.	
D617,695 S *	6/2010	Lamm	D12/169
D618,595 S	6/2010	Ware et al.	
D618,599 S *	6/2010	Miyazawa	D12/169
D623,090 S	9/2010	Cox et al.	
D627,262 S	11/2010	Ikeda et al.	
D635,488 S	4/2011	Phipps	
D644,147 S	8/2011	Suh et al.	
D644,567 S	9/2011	Kozub	
D657,718 S	4/2012	Zipfel et al.	
D659,052 S	5/2012	Ware et al.	
D659,053 S	5/2012	Ware et al.	
D664,903 S *	8/2012	Platto	D12/169
D668,182 S	10/2012	Barba Franco et al.	
D668,183 S	10/2012	Smart	
D669,003 S *	10/2012	Koizumi	D12/169
D671,047 S *	11/2012	Davidson	D12/169
D678,142 S *	3/2013	Behmer	D12/169
D678,143 S *	3/2013	Behmer	D12/169
D678,820 S	3/2013	Son et al.	
D678,821 S	3/2013	Ikeda et al.	
D680,909 S	4/2013	Munson et al.	
D680,910 S	4/2013	David	
D681,518 S *	5/2013	Platto	D12/169
D683,672 S *	6/2013	Platto	D12/169
D684,899 S	6/2013	Baker	
D686,536 S	7/2013	McCabe et al.	
D692,798 S	11/2013	Thurber	
D692,799 S	11/2013	Smith et al.	
D695,655 S *	12/2013	Kawasaki	D12/169
D696,157 S	12/2013	Loeb	
D699,168 S *	2/2014	Osborne	D12/169
D699,629 S	2/2014	Ikeda et al.	
D700,871 S	3/2014	O'Donnell et al.	
D703,103 S	4/2014	Lee	
D704,103 S	5/2014	Mack et al.	
D705,132 S	5/2014	Ware et al.	
D705,699 S	5/2014	Ware et al.	
D710,264 S *	8/2014	Watkins	D12/169
D713,298 S	9/2014	Dyson	
D713,764 S	9/2014	Ferlazzo et al.	
D716,696 S	11/2014	Thole et al.	
D716,706 S	11/2014	Thole et al.	
D716,709 S	11/2014	Thole et al.	
D717,696 S	11/2014	Thole et al.	
D718,189 S	11/2014	Krieg et al.	
D718,683 S	12/2014	Thole et al.	
D721,622 S *	1/2015	Platto	D12/169
D721,623 S *	1/2015	Platto	D12/169
D722,282 S	2/2015	Loeb	
D722,533 S	2/2015	Thole et al.	
D722,534 S	2/2015	Munson et al.	
D724,510 S	3/2015	McMahan et al.	
D725,001 S	3/2015	McMahan et al.	
D726,591 S	4/2015	Jacob	
D726,603 S *	4/2015	Grake	D12/169
D727,805 S *	4/2015	Grake	D12/169
D730,776 S	6/2015	Smart	
D730,783 S	6/2015	Henriques et al.	
D731,371 S *	6/2015	Morikawa	D12/169
D732,427 S	6/2015	Loeb	
D732,429 S	6/2015	Loeb	
D732,430 S	6/2015	Loeb	
D732,431 S	6/2015	Loeb	
D732,432 S	6/2015	Aengenheyster	
D732,433 S	6/2015	Aengenheyster	
D732,435 S	6/2015	Mackay	
D733,002 S	6/2015	Loeb	
D735,611 S	8/2015	Aengenheyster	
D735,627 S	8/2015	Smith	
D736,451 S	8/2015	Smith	
D739,306 S	9/2015	McMahan et al.	
D739,315 S *	9/2015	Blanski	D12/169
D739,317 S	9/2015	McMahan et al.	
D740,726 S *	10/2015	Platto	D12/169
D741,223 S	10/2015	Kim et al.	
D743,309 S	11/2015	Thole et al.	
D743,313 S	11/2015	Smith et al.	
D743,314 S	11/2015	Thole et al.	
D743,857 S	11/2015	McMahan et al.	
D744,158 S	11/2015	Willett et al.	
D744,915 S *	12/2015	Curic	D12/169
D744,916 S *	12/2015	Curic	D12/169
D745,086 S	12/2015	Finos et al.	
D745,719 S	12/2015	Boniface et al.	
D745,725 S	12/2015	McMahan et al.	
D745,726 S	12/2015	McMahan et al.	
D745,837 S	12/2015	Smith et al.	
D746,726 S	1/2016	Smith et al.	
D746,727 S	1/2016	Smith et al.	
D746,728 S	1/2016	Smith et al.	
D746,729 S	1/2016	Boniface et al.	
D746,730 S	1/2016	Kim et al.	
D747,514 S	1/2016	McMahan et al.	
D747,515 S	1/2016	McMahan et al.	
D747,819 S	1/2016	Thole et al.	
D749,021 S	2/2016	Boniface et al.	
D749,026 S	2/2016	Smith et al.	
D749,027 S	2/2016	McMahan et al.	
D749,246 S	2/2016	Thole et al.	
D749,249 S	2/2016	Thole et al.	
D749,250 S	2/2016	Thole et al.	
D749,470 S *	2/2016	Behmer	D12/169
D749,985 S	2/2016	Kozub et al.	
D749,997 S	2/2016	McMahan et al.	
D750,001 S	2/2016	Thole et al.	
D755,093 S *	5/2016	Vena	D12/169
D762,147 S *	7/2016	Messale	D12/169
D771,533 S *	11/2016	Kapitonov	D12/169
D772,117 S *	11/2016	Davidson	D12/169
D774,428 S *	12/2016	Davidson	D12/169

* cited by examiner

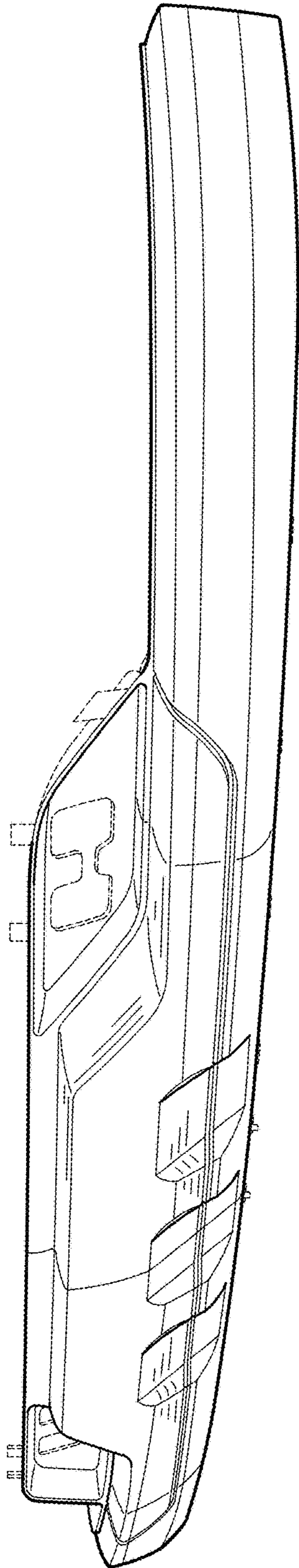


FIG. 1

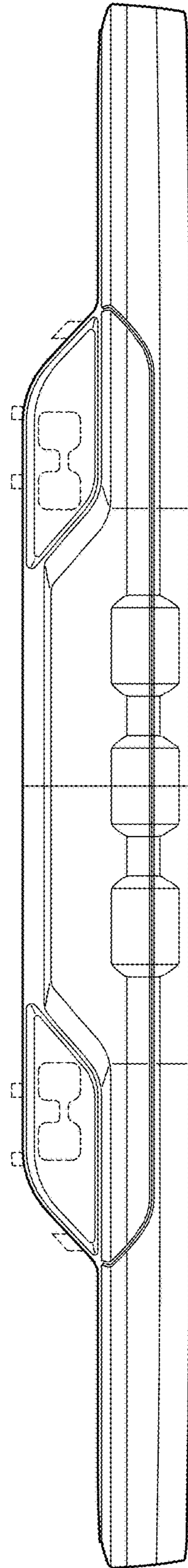


FIG. 2

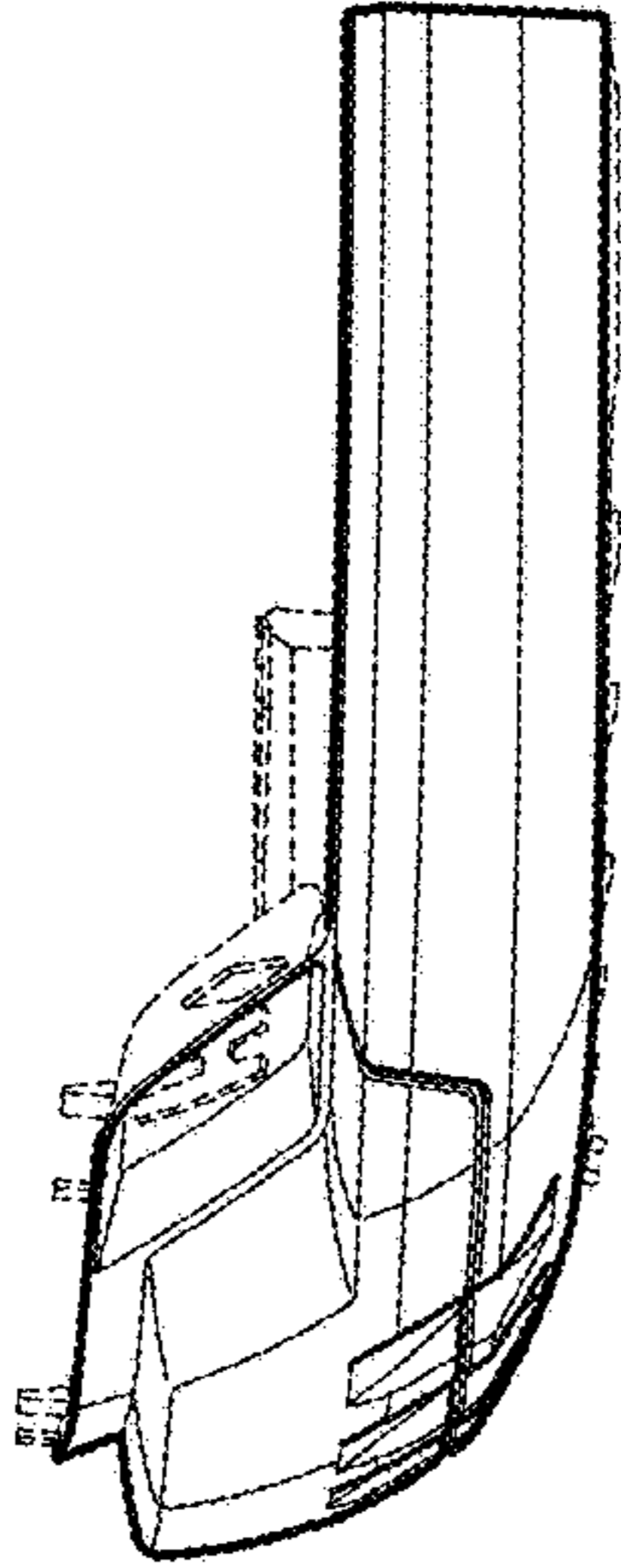


FIG. 3

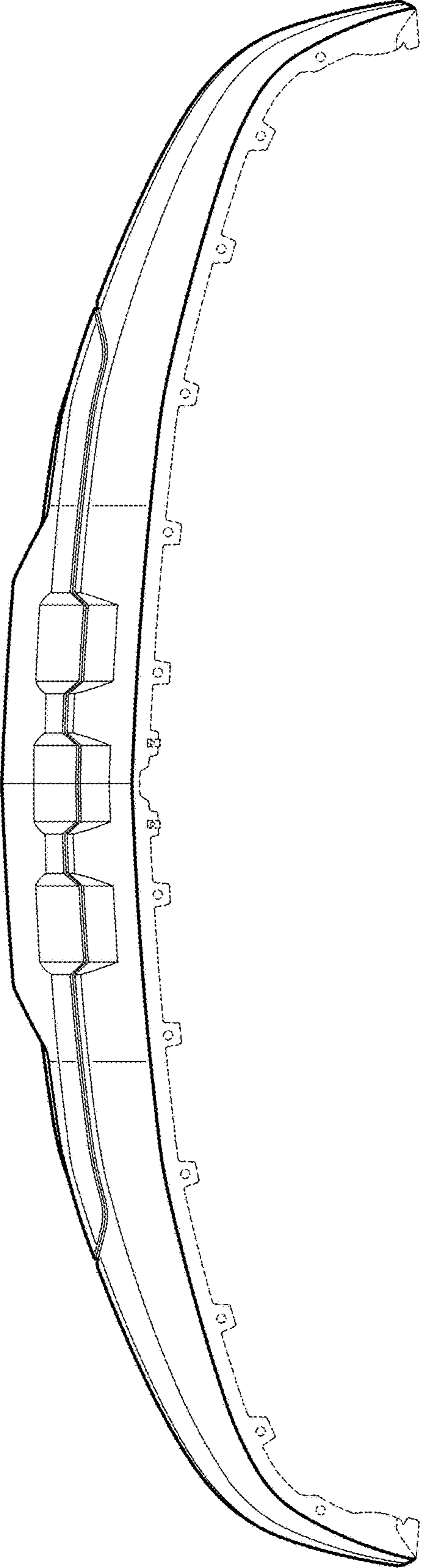


FIG. 4